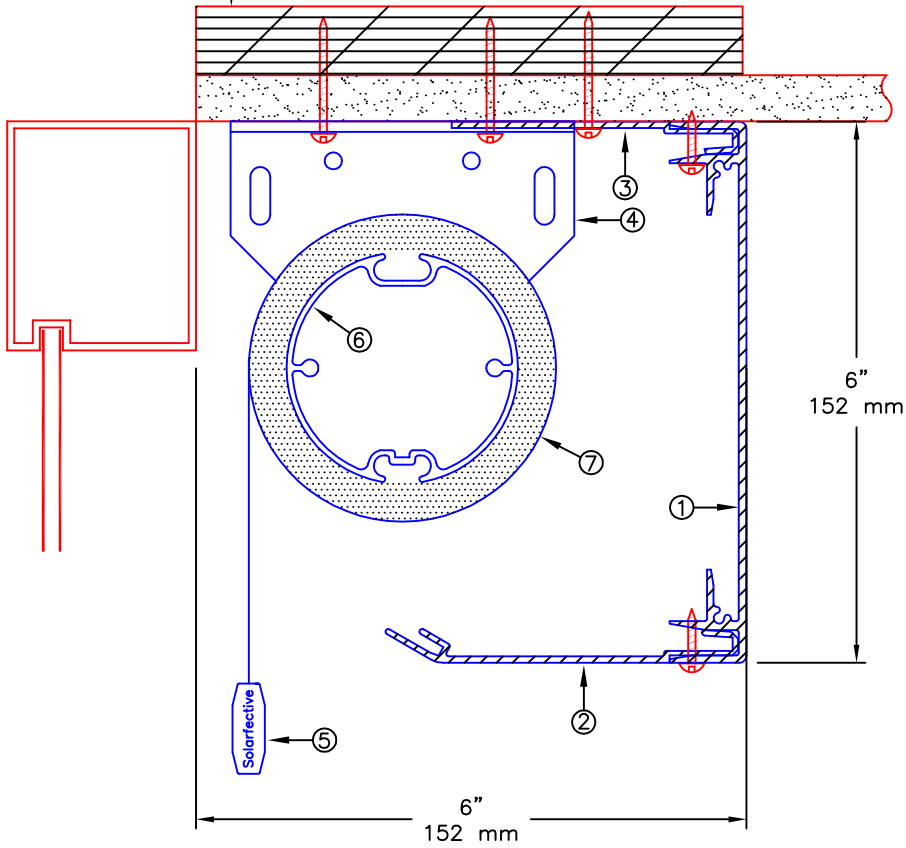


3/4" PLYWOOD  
BLOCKING  
(BY OTHERS)



**NOTES:**

1. EXTRUDED ALUMINUM 6" FASCIA
2. 4" EXTRUDED ALUMINUM CLOSURE
3. MOUNTING ANGLE
4. END BRACKET
5. EXTRUDED ALUMINUM EXTERIOR HEMBAR
6. 2 1/2" Ø EXTRUDED ALUMINUM TUBE
7. FABRIC: 1%, 3%, 5%, 10% OPENNESS OR BLACKOUT

**\*\* NOTE \*\***

JUNCTION BOX TO BE LOCATED WITHIN 3 FT OF MOTOR LOCATION. MOTOR LOCATION TO BE DETERMINED WITH SOLARFECTIVE REPRESENTATIVE.

**Solarfactive**

55 Hymus Road, Scarborough  
Ontario, Canada. M1L 2C6

Tel. (416) 421-3800  
Fax. (416) 421-8424

Web Site: [www.solarfactive.com](http://www.solarfactive.com)  
Email: [shades@solarfactive.com](mailto:shades@solarfactive.com)

MOTORIZED SHADE  
WITH CEILING MOUNT 6" FASCIA

PROJECT: -

DATE:  
JAN. 01, 2015

SCALE:  
N.T.S.

FILE No.  
-

DRAWN:  
ADIE

DWG. No.  
ES-2

REV  
0