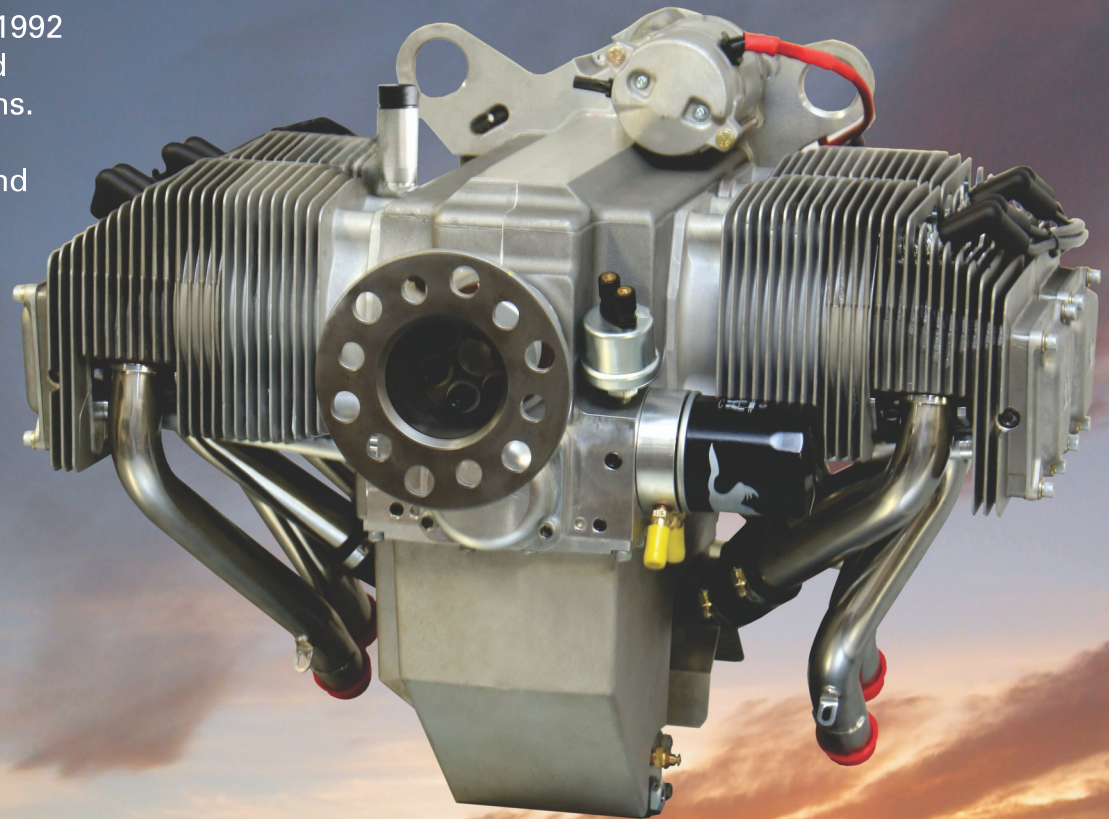


2200 Aero Engine

Design Philosophy

The Jabiru range of very light engines offer opportunities for aircraft designers to develop a generation of light aircraft. These are engines specifically designed by aircraft designers for aircraft applications. They are manufactured to exacting aeronautical production quality standards from forgings and castings. Components are machined using the precision of computer numerical controlled (CNC) machine tools and measured with highly accurate computerised measuring equipment.

Jabiru engines have been produced since 1992 with more than 6,500 around the world and many in demanding flying school operations. They incorporate simple design features, which together with realistic parts prices and high times between overhaul support low maintenance costs.



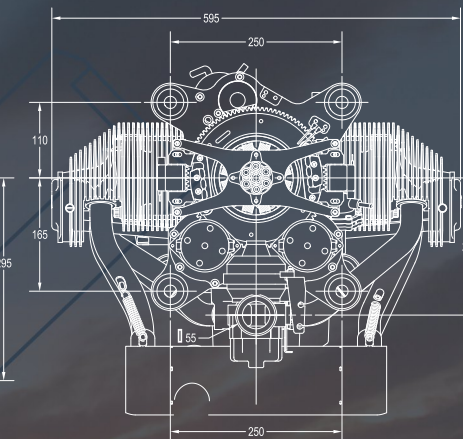
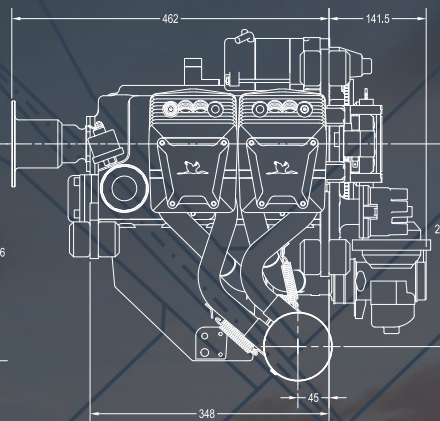
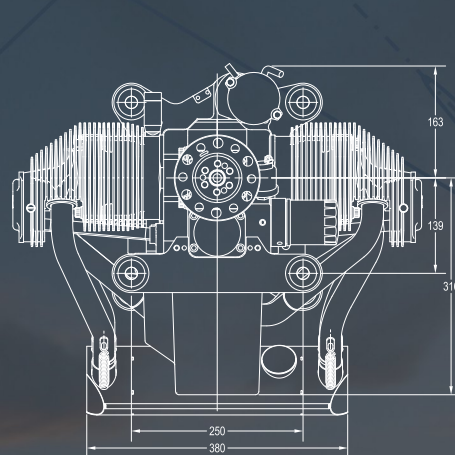
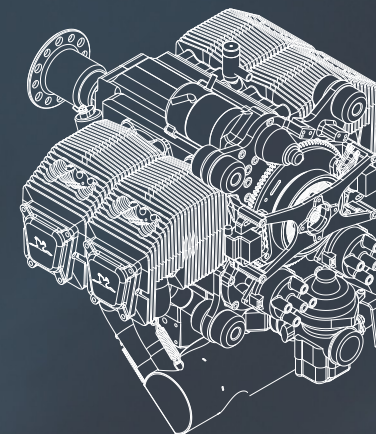
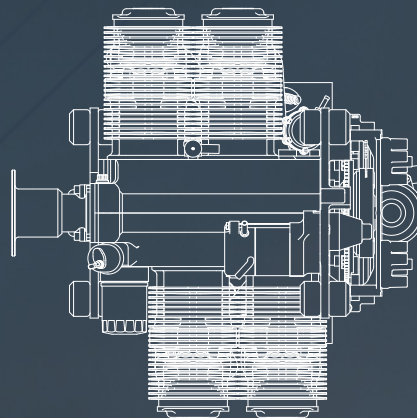
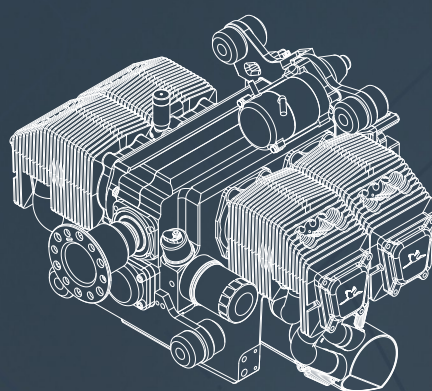
AUSTRALIAN DESIGNED & MANUFACTURED

Description

- 4 Stroke
- 4 Cylinder Horizontally Opposed
- 1 Central Camshaft
- Aluminium Alloy Crankcase
- Over Head Valves (OHV)
- Hydraulic Valve Lifters with Automatic Adjustment
- Ram Air Cooled
- Wet Sump Lubrication
- Direct Propeller Drive
- Dual Transistorized Magneto Ignition
- Integrated AC Generator
- Electric Starter
- Mechanical Fuel Pump
- Naturally Aspirated Pressure Compensating Carburettor
- 6 Bearing Crankshaft

Specifications

- Displacement : 2200 cc (134 cu.in.)
- Bore : 97.5 mm
- Stroke : 74 mm
- Compression Ratio : 8:1
- Direction of Rotation : clockwise pilot's view tractor applications of Prop Shaft
- Ramp Weight : 62.3 kg (137 lbs) including exhaust, muffler, carburettor, starter motor, alternator, ignition system, regulator, propeller guides, engine mount rubbers, starter solenoid, muffler springs
- Power Rating : 60 kW (80 hp) @ 3300 RPM
- Fuel : AvGas 100/130
MoGas 95 octane & above
- Oil Capacity : 2.3 l (2.2 quarts)
- Spark Plugs : NGK D9EA automotive



* Engine specifications may be subject to change at any time.