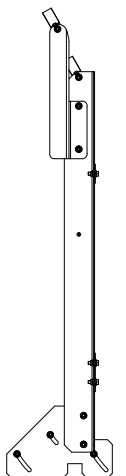
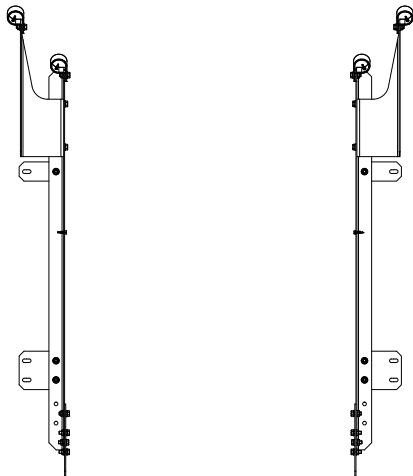


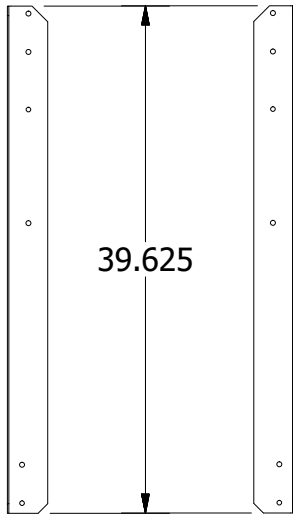
ARD0001 Assembly Instructions Greene Galvanized Stairs



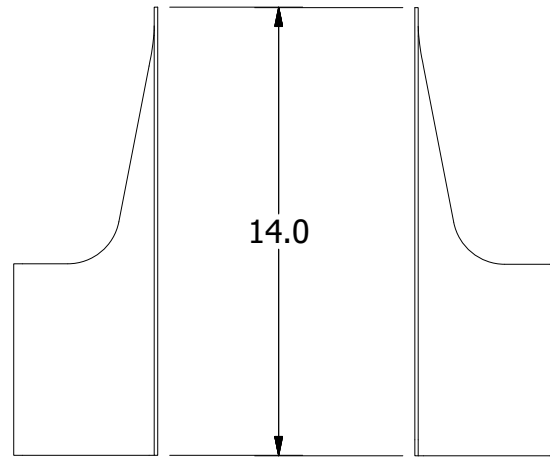
Parts List

PARTS LIST		
PART NUMBER	DESCRIPTION	QTY
ARD-0003	A-Series Right Entry Post	1
ARD-0004	A-Series Left Entry Post	1
ARD-1008	Entry Leveling Plate	2
5/16-18x3/4FB	5/16"-18 x 3/4" Flange Bolt	24
5/16-18SFN	5/16"-18 Whiz Lock Nut	24
ARD-0021	Entry Kickboard	2
ARD-0022	Entry Mid-Rail	2
ARD-0007	Right Guardrail Bracket	1
ARD-0008	Left Guardrail Bracket	1
HRC1500	1.5" Handrail P-Clamp	4
Floor Screw	Self-Tapping Floor Screw	6

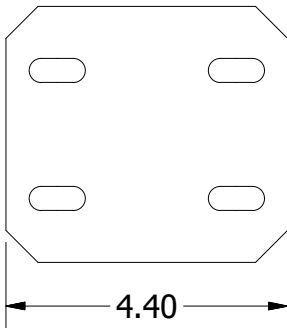
ARD-0004 ARD-0003



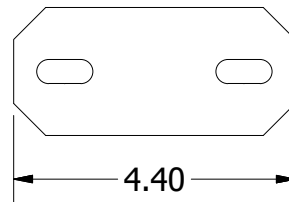
ARD-0007 ARD-0008



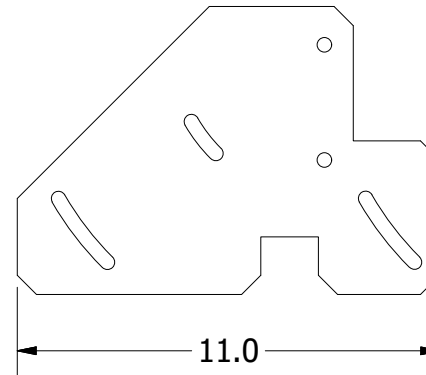
ARD-0021



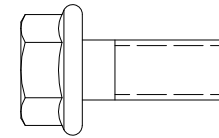
ARD-0022



ARD-1008

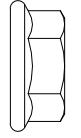


5/16-18x3/4FB



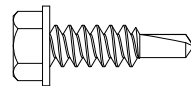
1:1

5/16-18SFN



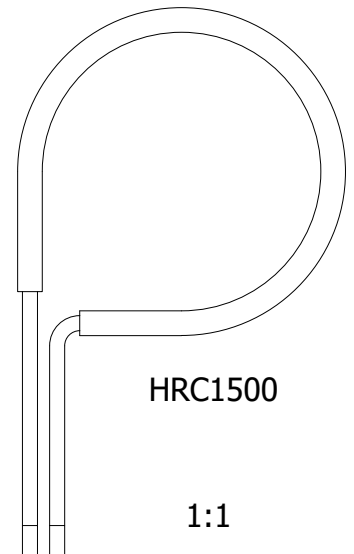
1:1

Floor Screw



1:1

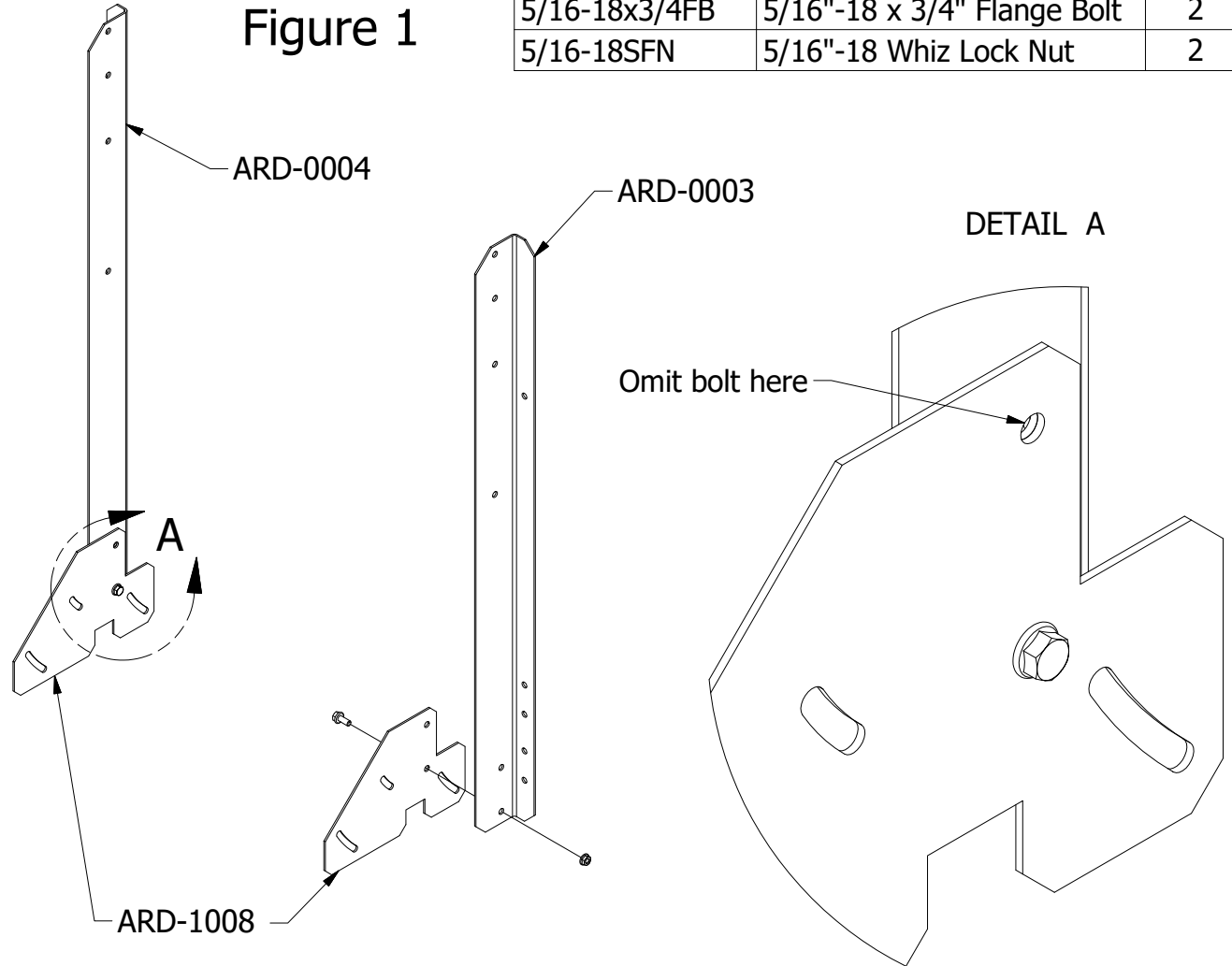
HRC1500



1:1

Step 1

1. Connect an ARD-0003 Right Post to an ARD-1008 Entry Leveling Plate using one (1) 5/16" Flange Bolt and one (1) 5/16" Lock Nut, as shown in Figure 1 and Detail A. The bolt will go through the bottom hole on the post and the plate. A second bolt will be added later.
2. Repeat for the Left Entry Post, using ARD-0004 and the other ARD-1008.



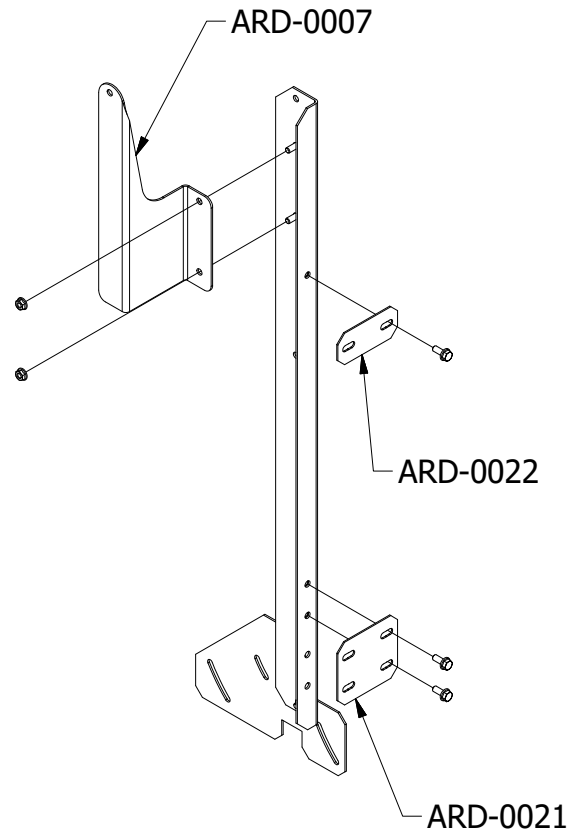
PARTS USED IN STEP 1		
PART NUMBER	DESCRIPTION	QTY
ARD-0003	A-Series Right Entry Post	1
ARD-0004	A-Series Left Entry Post	1
ARD-1008	Entry Leveling Plate	2
5/16-18x3/4FB	5/16"-18 x 3/4" Flange Bolt	2
5/16-18SFN	5/16"-18 Whiz Lock Nut	2

DRAWN Marcus Wilmsmeyer	3/19/2019	Greene Galvanized Stairs East Lynn, IL 217.375.4244 www.greenebinstairs.com	
CHECKED		TITLE A-Series Entry Post Assembly Instructions	
QA		SIZE A	DWG NO IN-ARD0001
MFG		SCALE 1/10	REV
APPROVED		SHEET 3 OF 6	

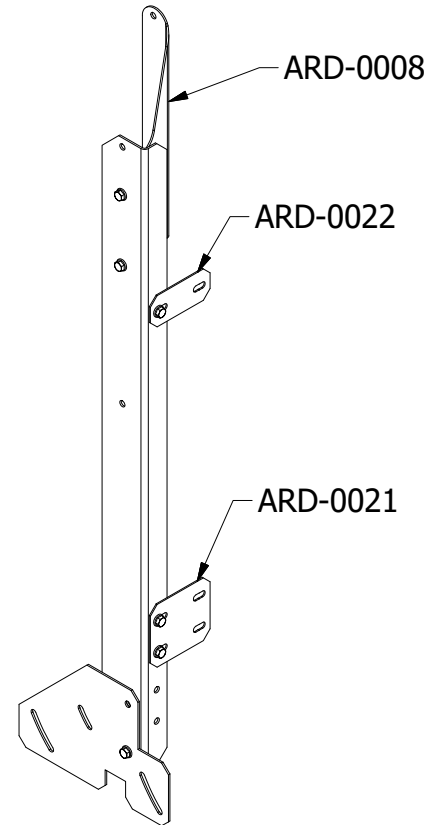
Step 2

1. Place the two (2) ARD-0022 Mid-Rails and the two (2) ARD-0021 Kickboards on the ARD-0003 and ARD-0004 posts as shown in Figure 2. Secure them in place using six (6) 5/16" Flange Bolts and six (6) 5/16" Lock Nuts.
2. Place the ARD-0007 Guardrail Bracket onto the right post (ARD-0003) as shown in Figure 2. Secure in place using two (2) 5/16" Flange Bolts and two (2) 5/16" Lock Nuts.
3. Place the ARD-0008 Guardrail Bracket onto the left post (ARD-0004) as shown in Figure 2. Secure in place using two (2) 5/16" Flange Bolts and two (2) 5/16" Lock Nuts.

Figure 2



PARTS USED IN STEP 2		
PART NUMBER	DESCRIPTION	QTY
5/16-18x3/4FB	5/16"-18 x 3/4" Flange Bolt	10
5/16-18SFN	5/16"-18 Whiz Lock Nut	10
ARD-0021	Entry Kickboard	2
ARD-0022	Entry Mid-Rail	2
ARD-0007	Right Guard Rail Bracket	1
ARD-0008	Left Guard Rail Bracket	1



DRAWN Marcus Wilmsmeyer	3/19/2019	Greene Galvanized Stairs East Lynn, IL 217.375.4244 www.greenebinstairs.com	
CHECKED		TITLE A-Series Entry Post Assembly Instructions	
QA		SIZE A	DWG NO IN-ARD0001
MFG		SCALE 1/10	REV
APPROVED		SHEET 4 OF 6	

Step 3

1. Take the four (4) 1.5" Handrail clamps and place them on the assembly as shown in Figure 3. Secure in place using four (4) 5/16" Flange Bolts and four (4) 5/16" Lock Nuts.

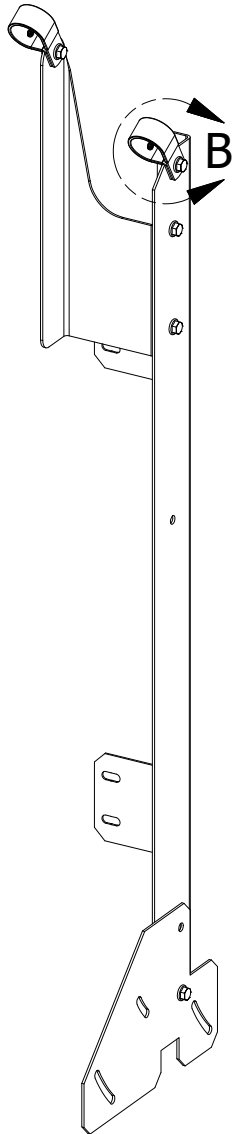
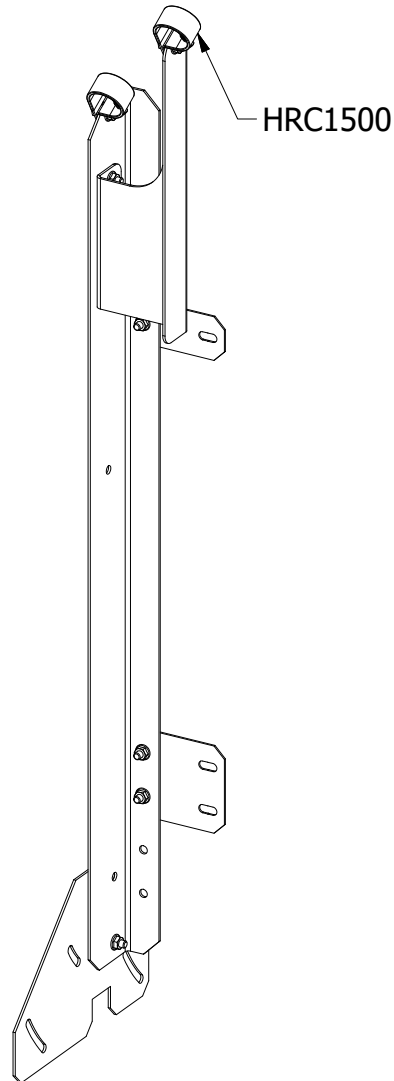
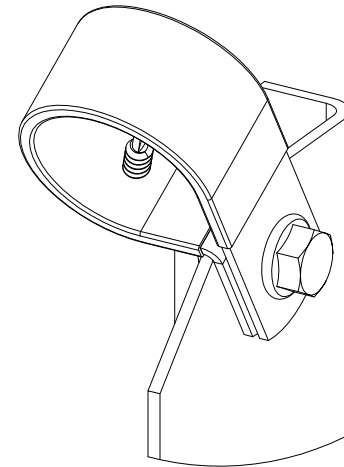


Figure 3



PARTS LIST		
PART NUMBER	DESCRIPTION	QTY
5/16-18x3/4FB	5/16"-18 x 3/4" Flange Bolt	4
5/16-18SFN	5/16"-18 Whiz Lock Nut	4
HRC1500	1.5" Handrail P-Clamp	4

DETAIL B



DRAWN Marcus Wilmsmeyer	3/19/2019	Greene Galvanized Stairs East Lynn, IL 217.375.4244 www.greenebinstairs.com	
CHECKED		TITLE A-Series Entry Post Assembly Instructions	
QA		SIZE A	DWG NO IN-ARD0001
MFG		SCALE 1/8	REV
APPROVED		SHEET 5 OF 6	

Step 4

- Using eight (8) 5/16" Flange Bolts and eight (8) 5/16" Lock Nuts, attach the ARD0001 to an assembled ART5014 as shown in Detail D.
- Line up the handrails, guardrails, and intermediate rails of the ART5014 with the handrail clamps as shown in Figure 4. The intermediate rail will not use a handrail clamp, refer to Detail C.
- Use six (6) Floor Screws to secure the rails to the ARD0003 and ARD0004 posts, as well as the HRC1500 clamps. The Floor Screws that join to the HRC clamps will be drilled through the underside of the HRC clamps, to minimize hand interference.

PARTS USED IN STEP 4		
PART NUMBER	DESCRIPTION	QTY
Floor Screws	Self-Tapping Screw	6
5/16-18x3/4FB	5/16"-18 x 3/4" Flange Bolt	8
5/16-18SFN	5/16"-18 Whiz Lock Nut	8
ART5014	4-Step Roof Stair Starter	1

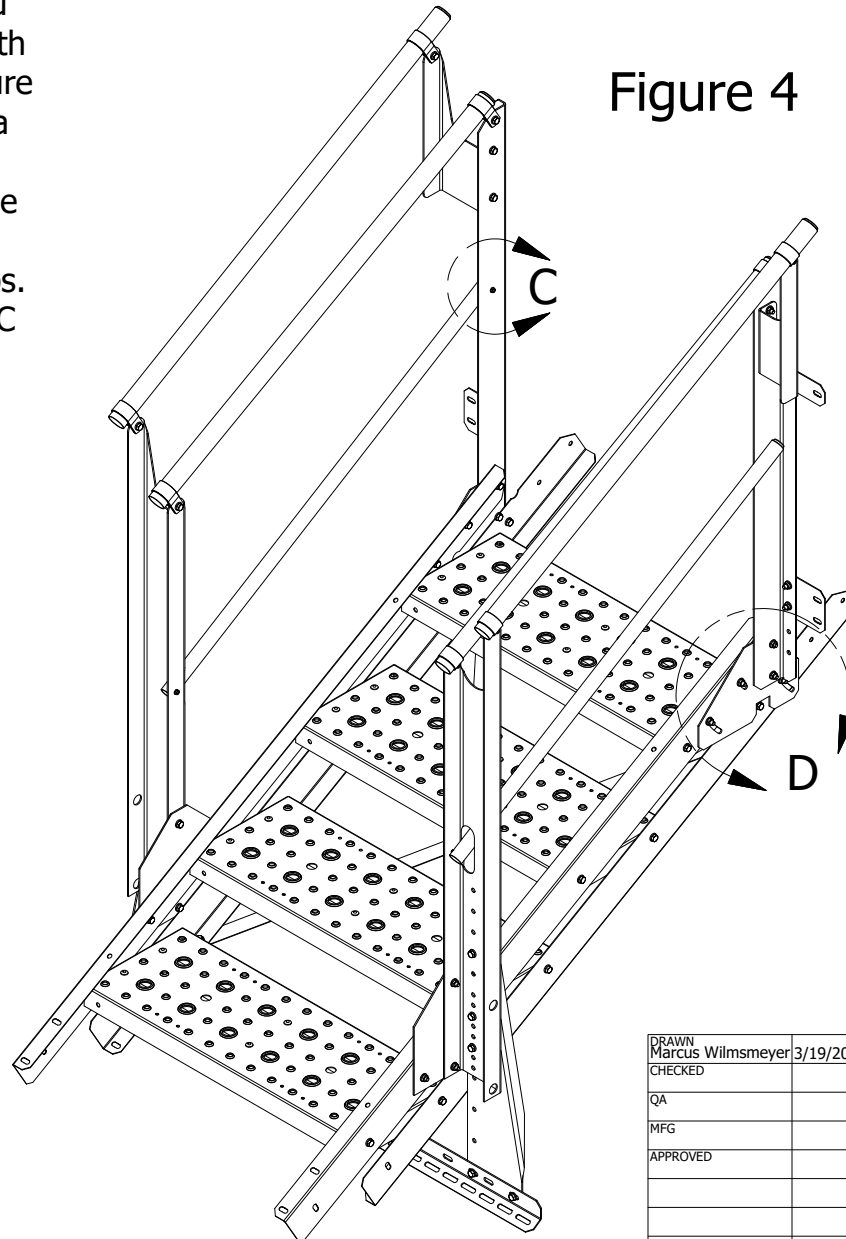
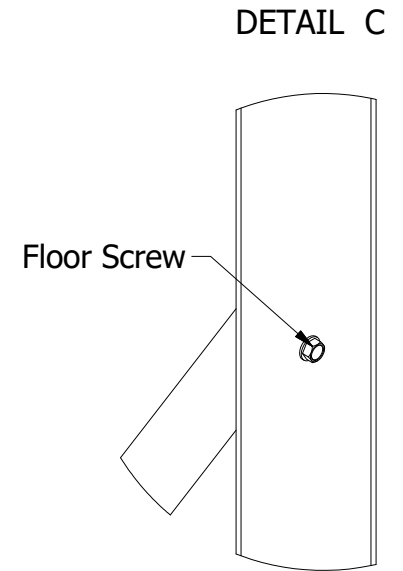
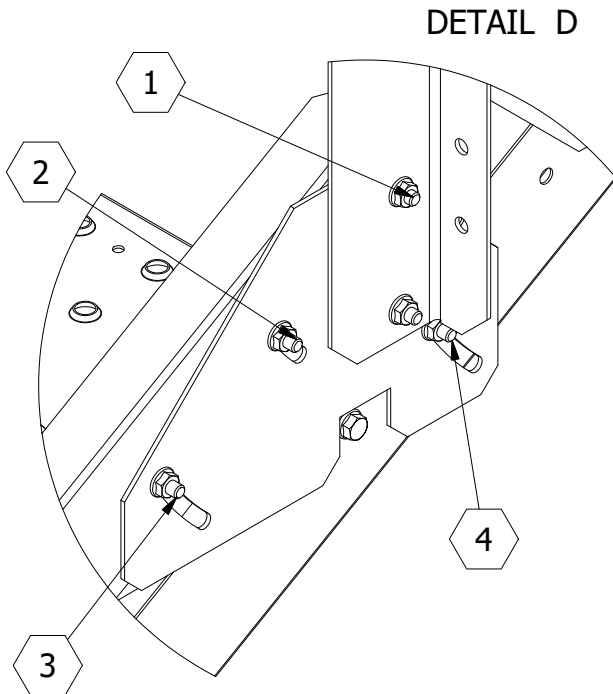


Figure 4



DRAWN Marcus Wilmsmeyer	3/19/2019	Greene Galvanized Stairs East Lynn, IL 217.375.4244 www.greenebinstairs.com	
CHECKED		TITLE A-Series Entry Post Assembly Instructions	
QA		SIZE A	DWG NO IN-ARD0001
MFG		SCALE 1/15	REV
APPROVED		SHEET 6 OF 6	