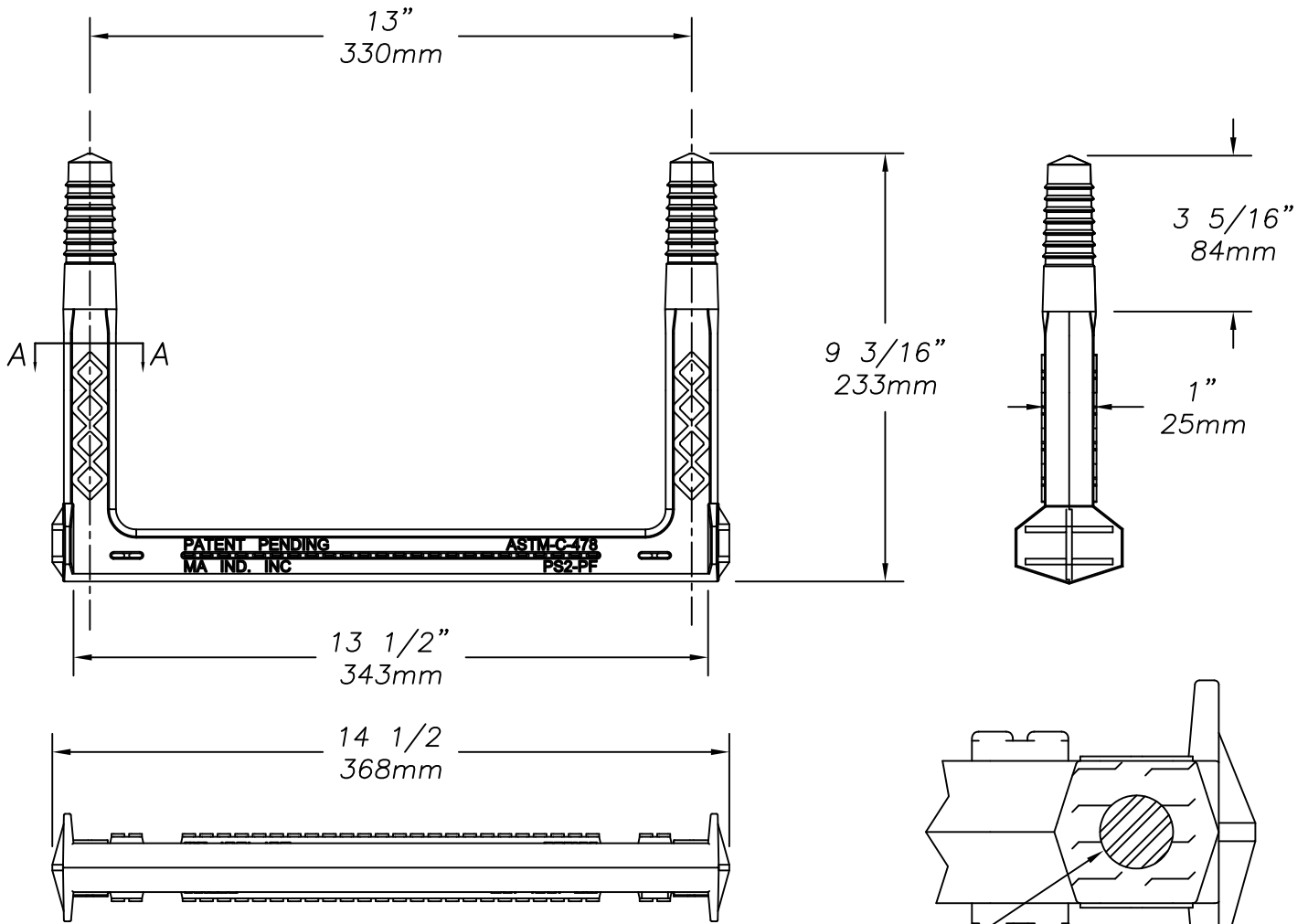


PS2-PF-DF

004-510-DF

Manhole Step

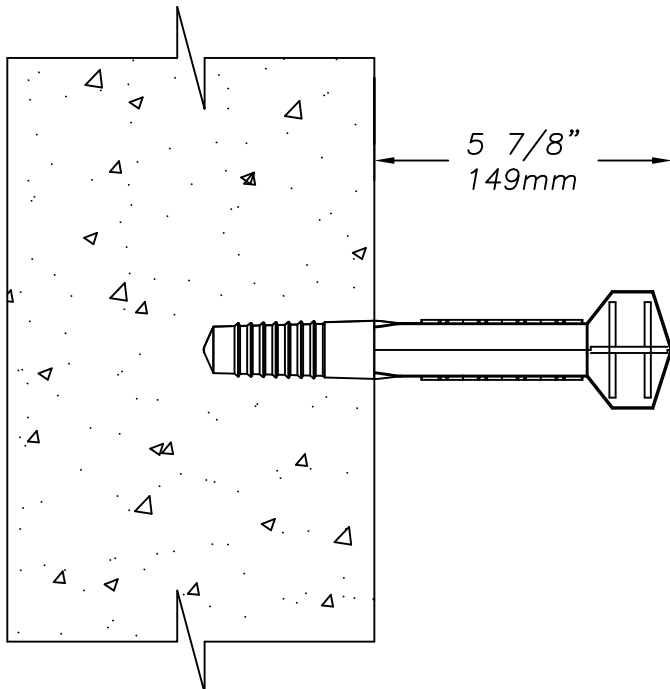


Copolymer Polypropylene Plastic

13mm
1/2"

GRADE 60 STEEL REINFORCEMENT

SECTION-A



**MEETS: ASTM C-478
ASTM D-4101
ASTM A-615
AASHTO M-199**

M . A . I N D U S T R I E S , I N C .

