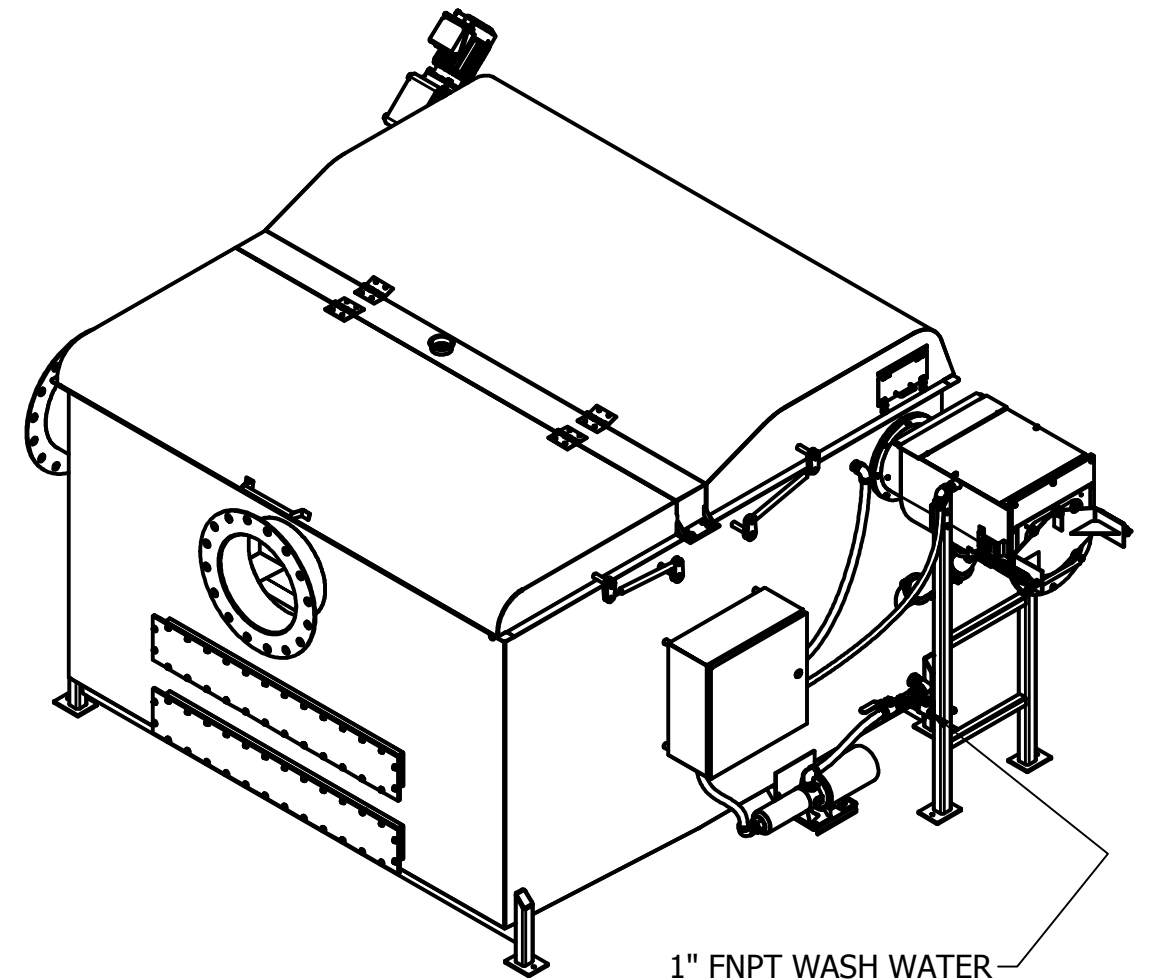


10" SOLIDS  
DISCHARGE  
DOOR

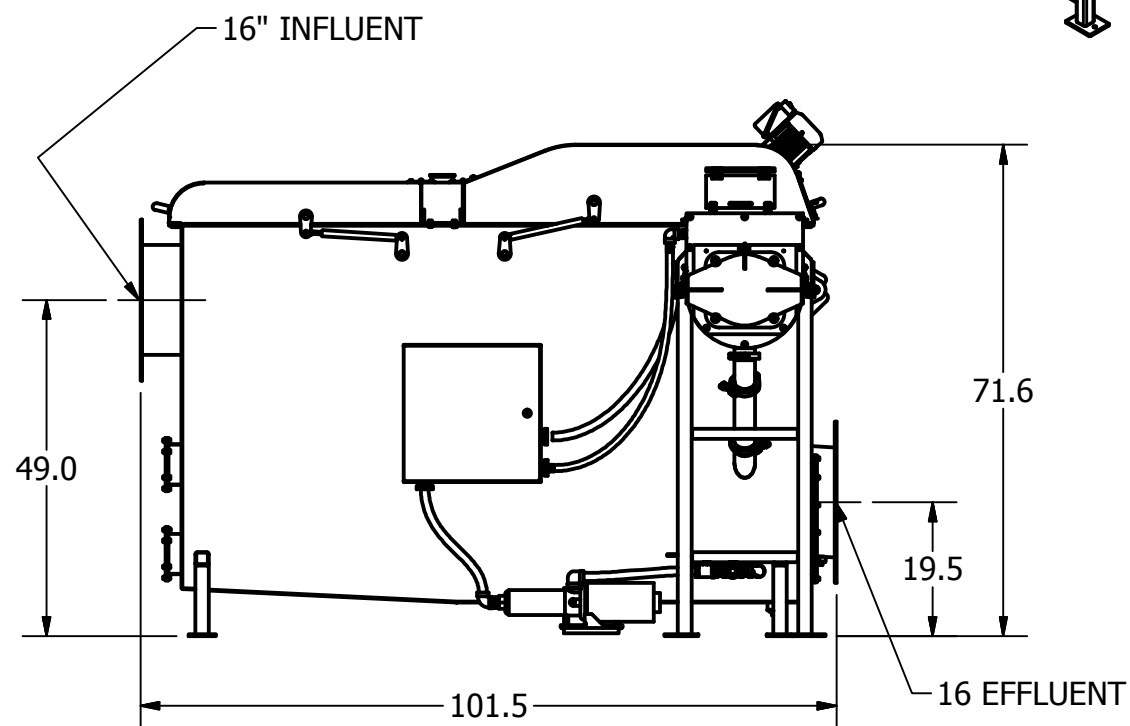
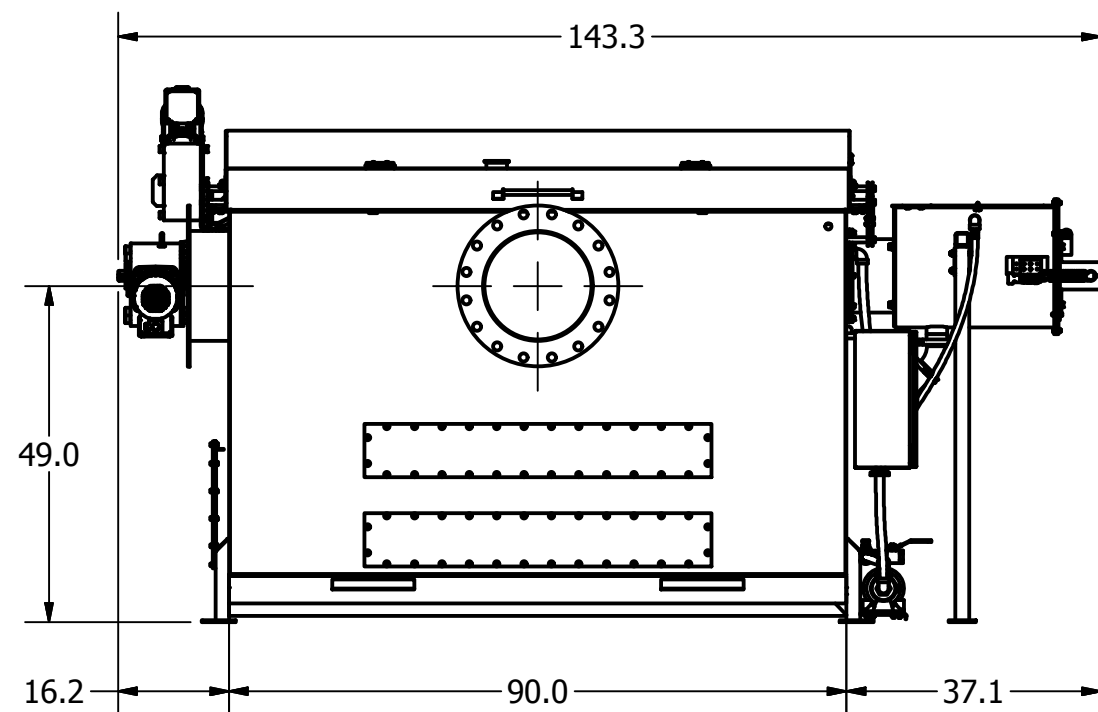
3" VENT

16" OVERFLOW

## GRAVITY INLET MODEL



1" FNPT WASH WATER  
CONNECTION



REV	DESCRIPTION	BY	CHK'D	APP'D	DATE
0	FOR INFORMATION	JCM	AHM	MWA	3/8/15

  
**MITCHERSON**  
 PROVIDING SOLUTIONS FOR A BETTER FUTURE  
 WWW.MITCHERSON.COM (713) 306-2274

TITLE: **ES-3400 GENERAL ASSEMBLY**

DRAWING NUMBER: **ESG-3400**

UNLESS OTHERWISE SPECIFIED:  
 1. DIMENSIONAL TOLERANCES APPLY .X ± .030 FRACTIONS ± 1/16  
 2. DIMENSIONS ARE IN INCHES .XX ± .010 ANGLES ± 0°30'  
 3. DEBURR AND BREAK ALL SHARP EDGES, R .020 .XXX ± .005

DRAWN BY: JCM  
 DATE: 3/9/2015

WT. / LBS. **3667.4** SHEET 1 OF 1  
**lbmass** REVISION: 0