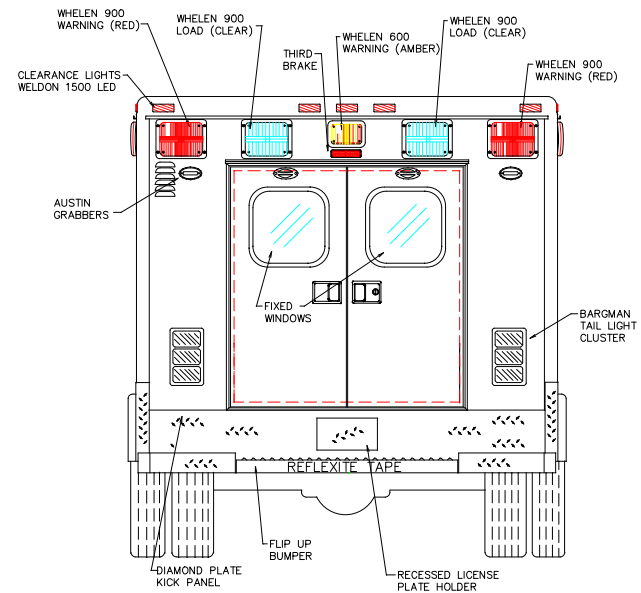
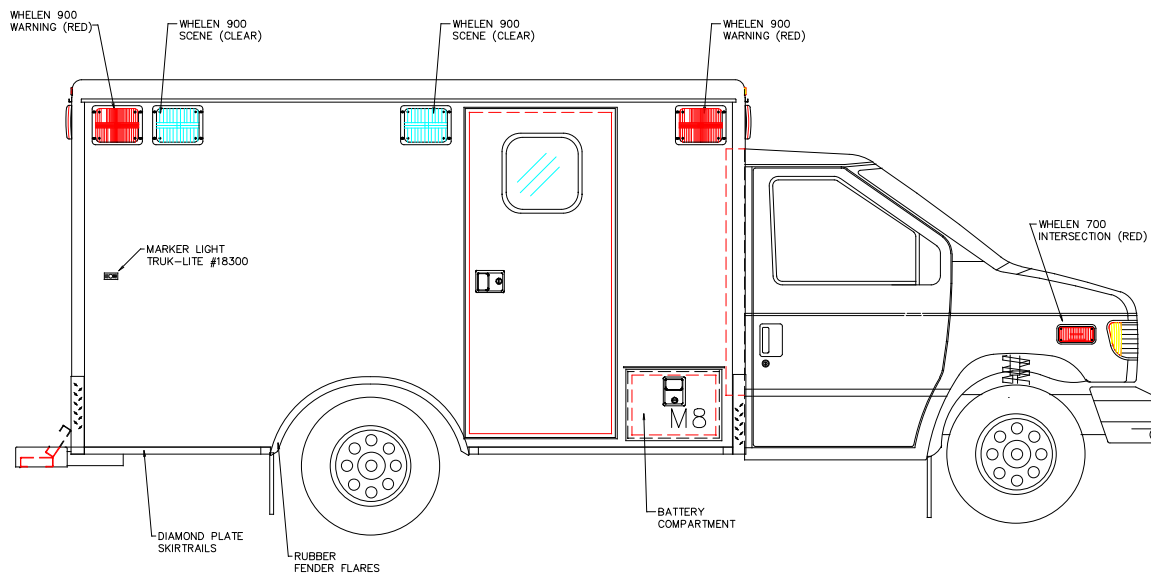
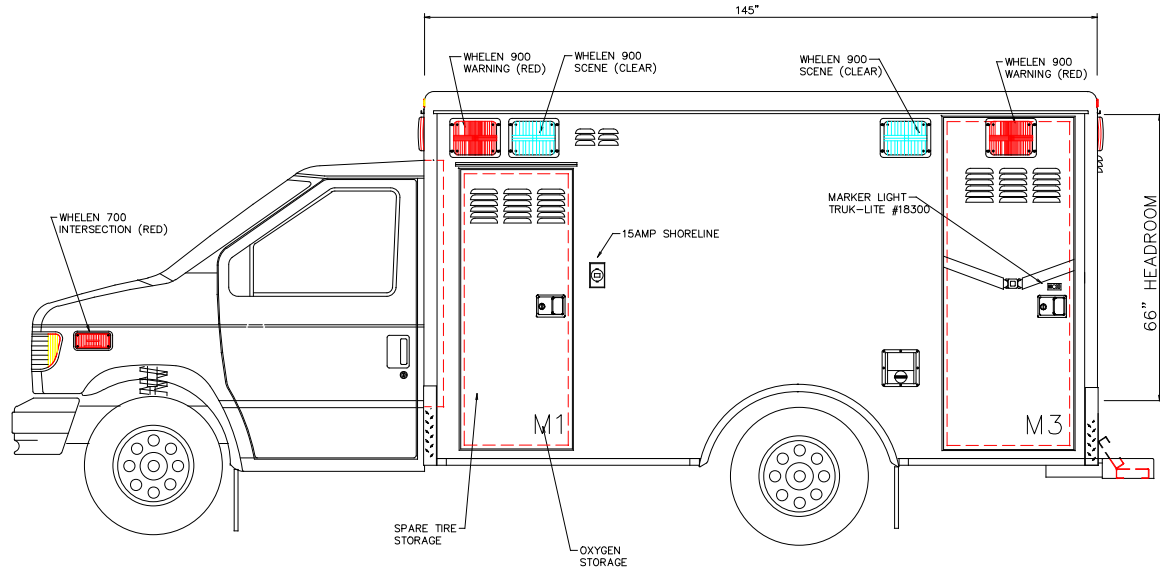
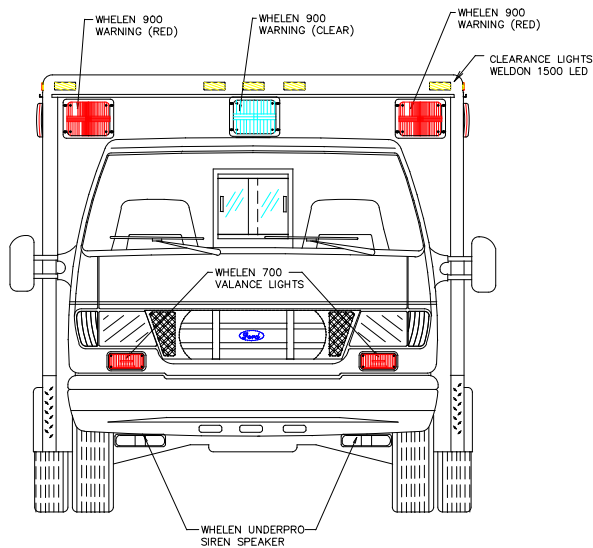


CONCEPTIONAL DRAWINGS ONLY: DRAWINGS ARE NOT TO SCALE, ALL MEASURES ARE APPROXIMATE & SUBJECT TO ENGINEERING CHANGE



| Compartment Dimensions |             |         |       |
|------------------------|-------------|---------|-------|
| Cmpt                   | Height      | Width   | Depth |
| M1                     | 58.6"       | 20.75"  | 17"   |
| M3                     | 73.8"       | 20"     | 7"    |
| M7                     | N/A         | N/A     | N/A   |
| M8                     | 12.1"       | 17.75"  | N/A   |
| C/S Access             | FULL HEIGHT | 31"     | N/A   |
| Rear Access            | 56-5/8"     | 46-3/4" | N/A   |

\*CONCEPTIONAL DRAWINGS  
 \* Some shown are optional  
 \* Due to AEV's ongoing improvements, drawings can change.

Professional Vehicle Corporation  
 800-894-7788



AMERICAN EMERGENCY VEHICLES

TITLE: DR-90 EXTERIOR

DWG.# \_\_\_\_\_ REV.# \_\_\_\_\_

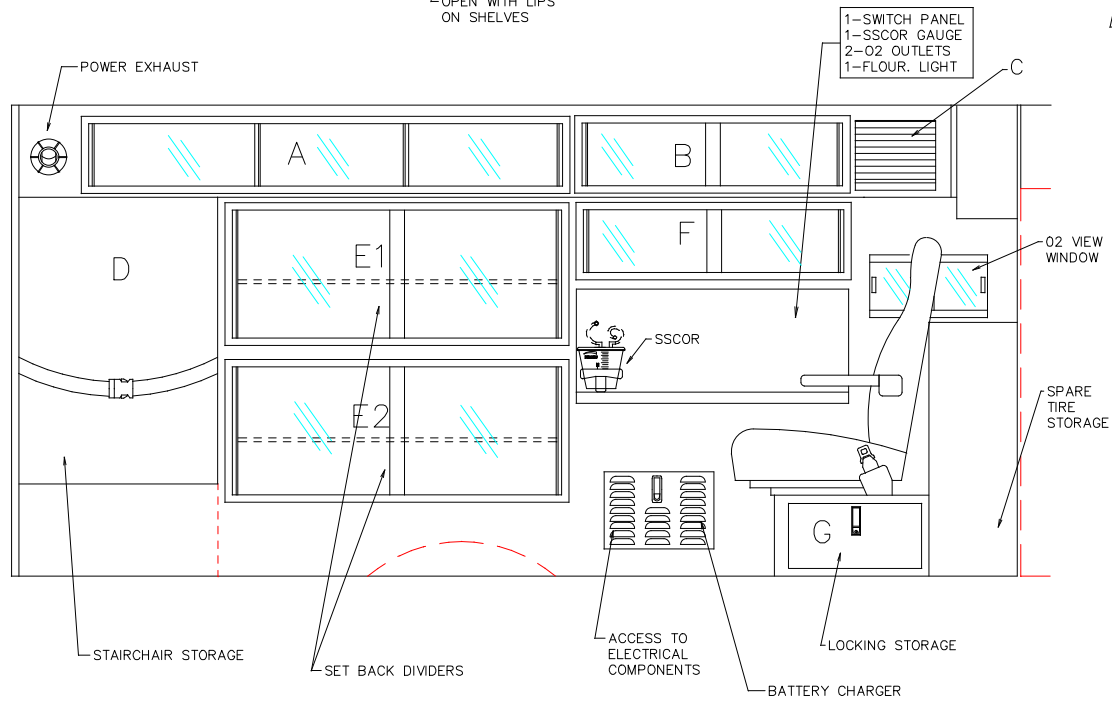
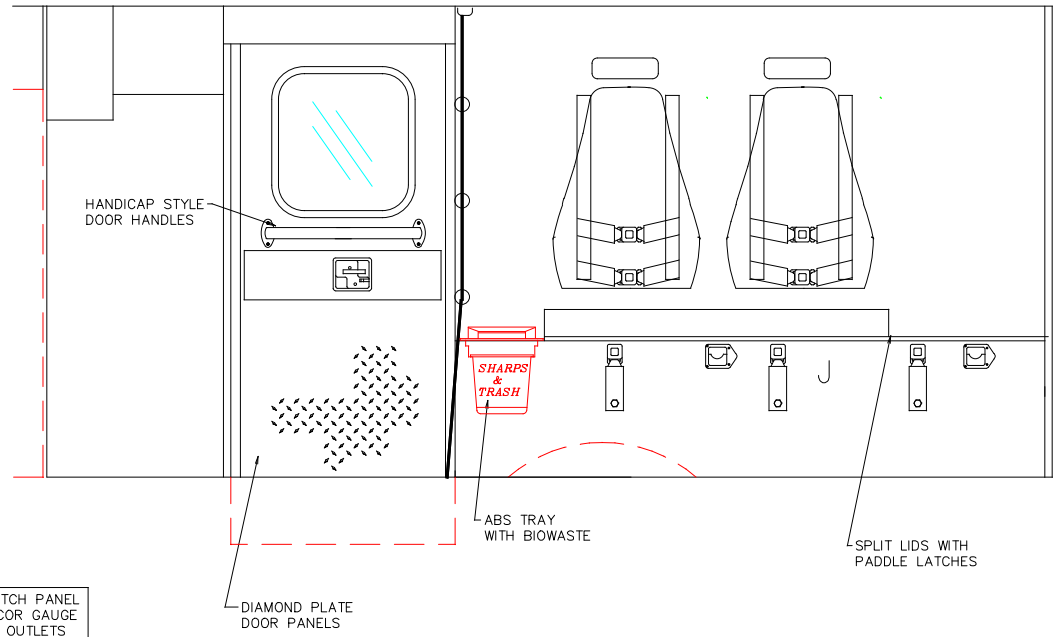
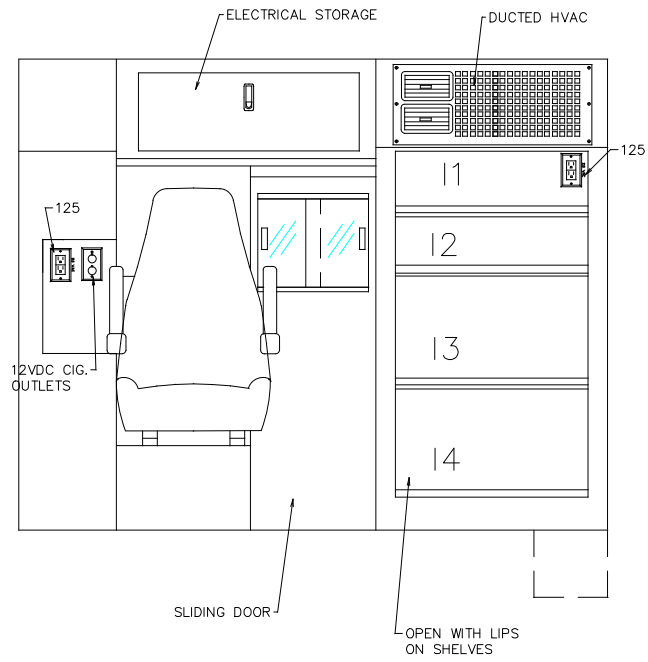
TRUCK# \_\_\_\_\_

BY: \_\_\_\_\_ DATE \_\_\_\_\_

BODY #: \_\_\_\_\_




CUSTOMER: \_\_\_\_\_



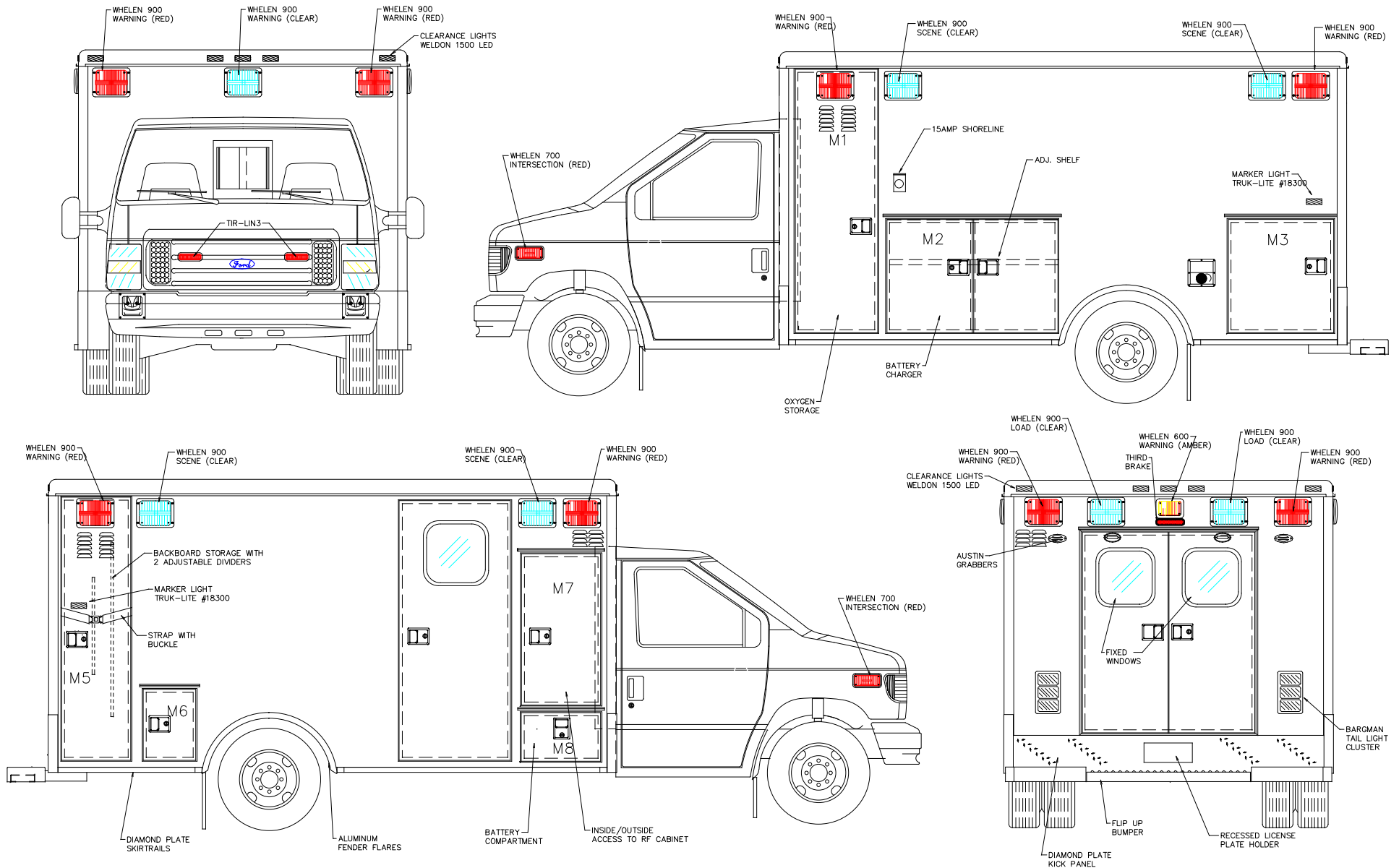
*Professional Vehicle Corporation*  
 800-894-7788



|  |       |
|--|-------|
| AMERICAN EMERGENCY VEHICLES  |       |
| TITLE:DR-90 INTERIOR   |       |
| DWG.#  | REV.# |
| TRUCK#   |       |
| BY:  | DATE: |
| <br>CUSTOMER: |       |

\*CONCEPTIONAL DRAWINGS  
 \* Some shown are optional  
 \* Due to AEV's ongoing improvements, drawings can change.

CONCEPTIONAL DRAWINGS ONLY: DRAWINGS ARE NOT TO SCALE, ALL MEASURES ARE APPROXIMATE & SUBJECT TO ENGINEERING CHANGE



| Compartment Dimensions |             |         |       |
|------------------------|-------------|---------|-------|
| Cmpt                   | Height      | Width   | Depth |
| M1                     | 75.8"       | 18.6"   | 19.4" |
| M2                     | 31.5"       | 44.5"   | 19.4" |
| M3                     | 31.5"       | 30.1"   | 11"   |
| M5                     | 75.8"       | 17.6"   | 21"   |
| M6                     | 17.2"       | 13.5"   | 19.4" |
| M7                     | 42.6"       | 25.2"   | N/A   |
| M8                     | 12.1"       | 25.2"   | 21.4" |
| C/S Access             | FULL HEIGHT | 31"     | N/A   |
| Rear Access            | 56-5/8"     | 46-3/4" | N/A   |

\*CONCEPTIONAL DRAWINGS  
 \* Some shown are optional  
 \* Due to AEV's ongoing improvements, drawings can change.

Professional Vehicle Corporation  
 800-894-7788

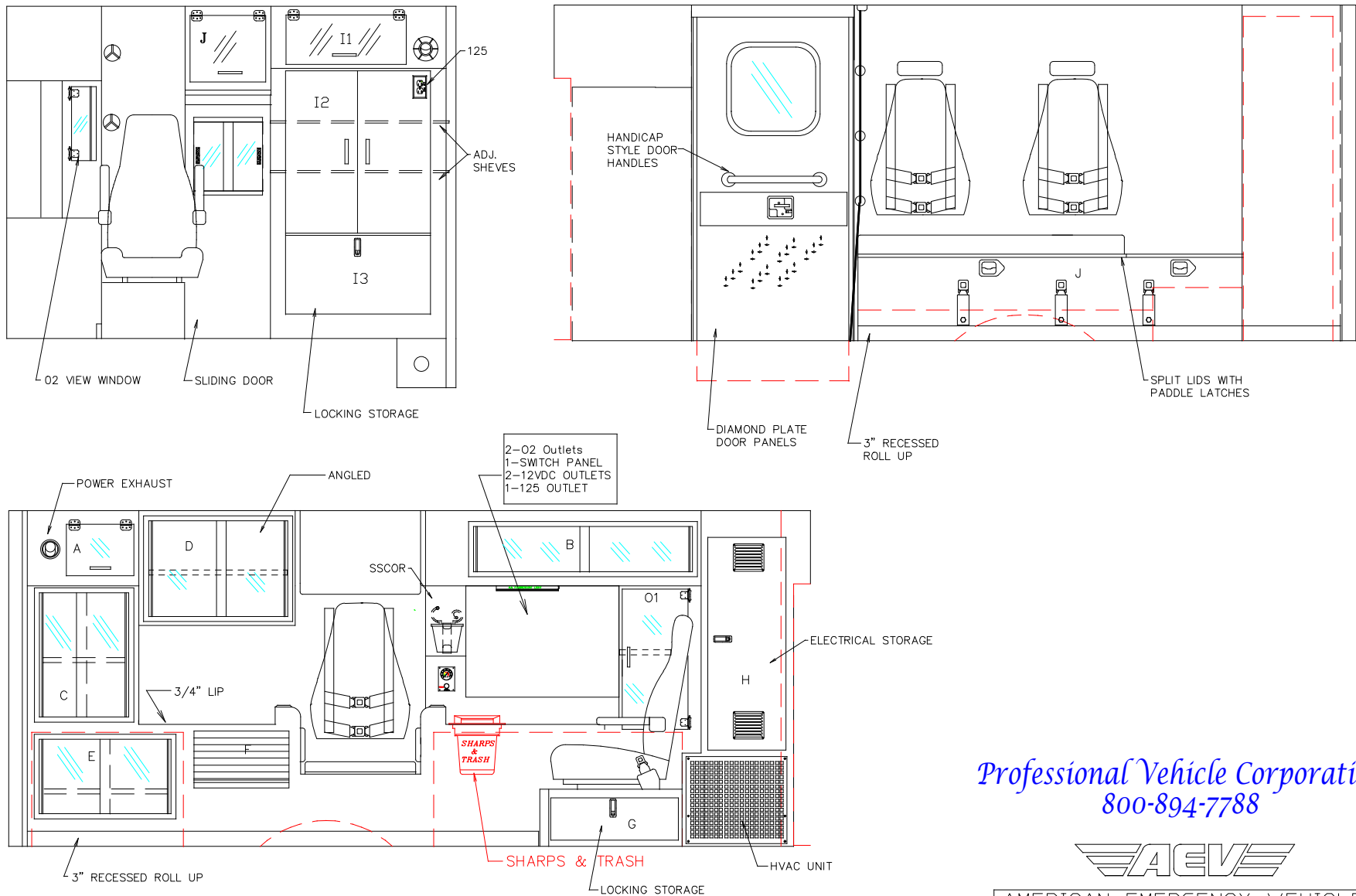


| AMERICAN EMERGENCY VEHICLES |                        |
|-----------------------------|------------------------|
| TITLE                       | Type 3, 164", Exterior |
| DWG.#                       | REV.#                  |
| TRUCK#                      |                        |
| BY:                         | DATE                   |
| BODY #:                     |                        |



Customer:

CONCEPTIONAL DRAWINGS ONLY: DRAWINGS ARE NOT TO SCALE, ALL MEASURES ARE APPROXIMATE & SUBJECT TO ENGINEERING CHANGE



Professional Vehicle Corporation  
800-894-7788



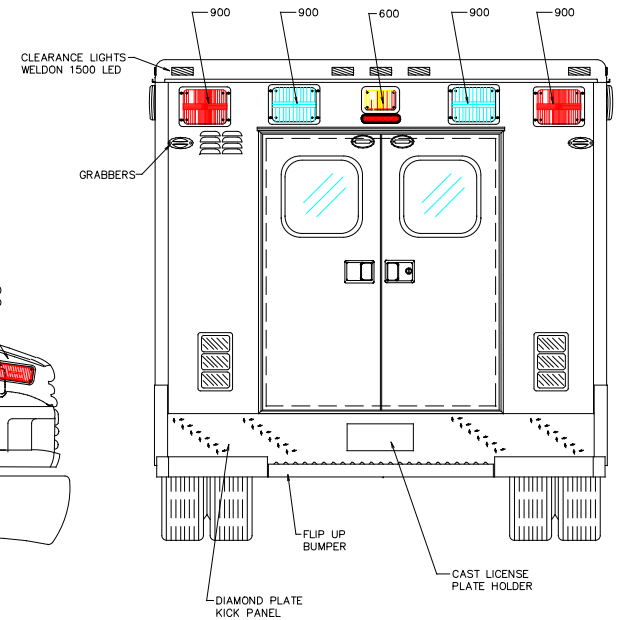
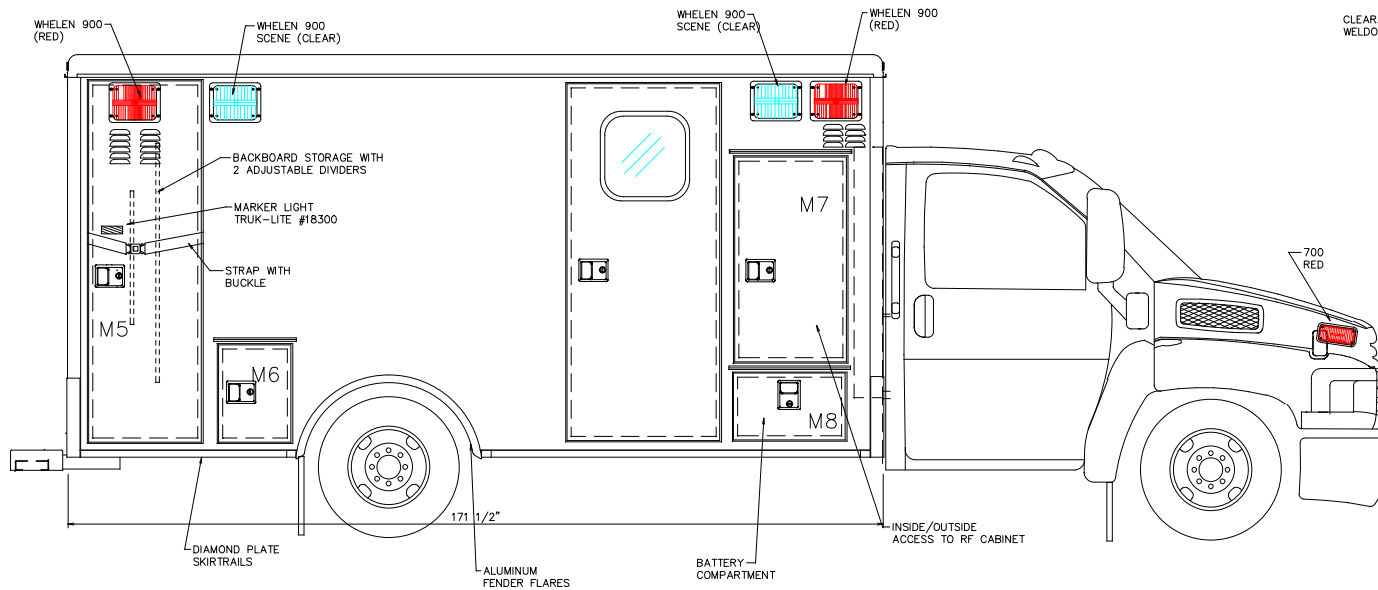
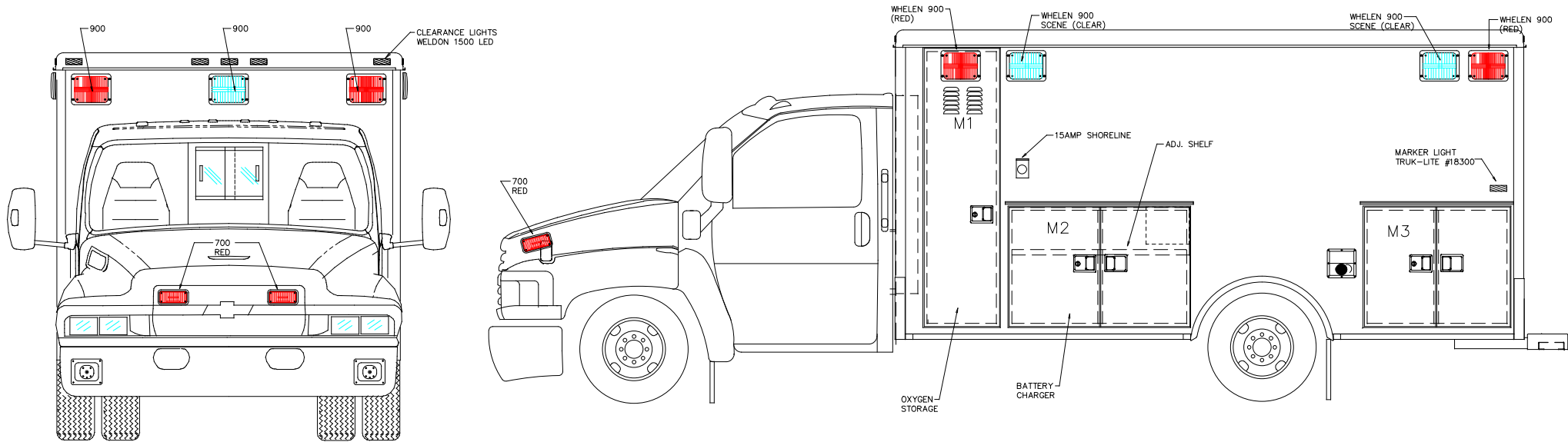
|                             |                       |
|-----------------------------|-----------------------|
| AMERICAN EMERGENCY VEHICLES |                       |
| TITLE                       | TYPE 3, 164" Interior |
| DWG.#                       | REV.#                 |
| TRUCK#                      |                       |
| BY:                         | DATE                  |

Customer:



\*CONCEPTIONAL DRAWINGS  
\* Some shown are optional  
\* Due to AEV's ongoing improvements, drawings can change.

CONCEPTIONAL DRAWINGS ONLY: DRAWINGS ARE NOT TO SCALE, ALL MEASURES ARE APPROXIMATE & SUBJECT TO ENGINEERING CHANGE



| Compartment Dimensions |             |         |       |
|------------------------|-------------|---------|-------|
| Compt                  | Height      | Width   | Depth |
| M1                     | FULL HEIGHT | 20.6"   | 20.5" |
| M2                     | 36.5"       | 41.5"   | 20.5" |
| M3                     | 36.5"       | 38.1"   | 20.5" |
| M5                     | FULL HEIGHT | 21.6"   | 21"   |
| M6                     | 22.2"       | 12.5"   | 20.5" |
| M7                     | 47.6"       | 29.2"   | N/A   |
| M8                     | 12.1"       | 29.2"   | 21.4" |
| C/S Access             | FULL HEIGHT | 31"     | N/A   |
| Rear Access            | 56-5/8"     | 46-3/4" | N/A   |

\* Some shown are optional  
 \* Due to AEV's ongoing improvements, drawings can change.

**Professional Vehicle Corporation**  
 800-894-7788



|                             |                    |
|-----------------------------|--------------------|
| AMERICAN EMERGENCY VEHICLES |                    |
| TITLE                       | 4500 Exterior 172" |
| DWG.#e                      | REV.#              |
| TRUCK#                      |                    |
| BY:                         | DATE               |
| BODY #:                     |                    |

