


KR545 TABMASTER

NO.	DESCRIPTION	KR545D	KR545T
1	Base Length	72"	100"
2	Maximum Product Size	11" x 11" x .250"	11" x 11" x .250"
3	Minimum Product Size	3.5" x 3.5" x .008"	3.5" x 3.5" x .008"
5	KR545HD Single Web Tabber Head		✓
6	KR545DHD Double Web Tabber Head	✓	✓
7	Designed to be used behind a Stitcher/Trimmer		✓
9		✓	✓
10		✓	✓

KR545 TABMASTER

NO.	DESCRIPTION	KR545D	KR545T
11		✓	✓
12		✓	✓
13		✓	✓

KR545 TABMASTER

NO.	DESCRIPTION	KR545D	KR545T
14		✓	✓
15			✓
			✓

KR545 TABMASTER

NO.	DESCRIPTION	KR545D	KR545T
16	 <p style="text-align: center;"> <small>DILLINGHAM DIVISION Munchie Crumchie Co. 77 Easy Street Robbinsville, N.J. 08891 Attn: Cost Estimator</small> </p>	✓	✓
17	 <p style="text-align: center;"> <small>DILLINGHAM DIVISION Munchie Crumchie Co. 77 Easy Street Robbinsville, N.J. 08891 Attn: Cost Estimator</small> </p>	✓	✓
18	 <p style="text-align: center;"> <small>DILLINGHAM DIVISION Munchie Crumchie Co. 77 Easy Street Robbinsville, N.J. 08891 Attn: Cost Estimator</small> </p>	✓	✓

KR545 TABMASTER

NO.	DESCRIPTION	KR545D	KR545T
19			
20			
21			

KR545 TABMASTER

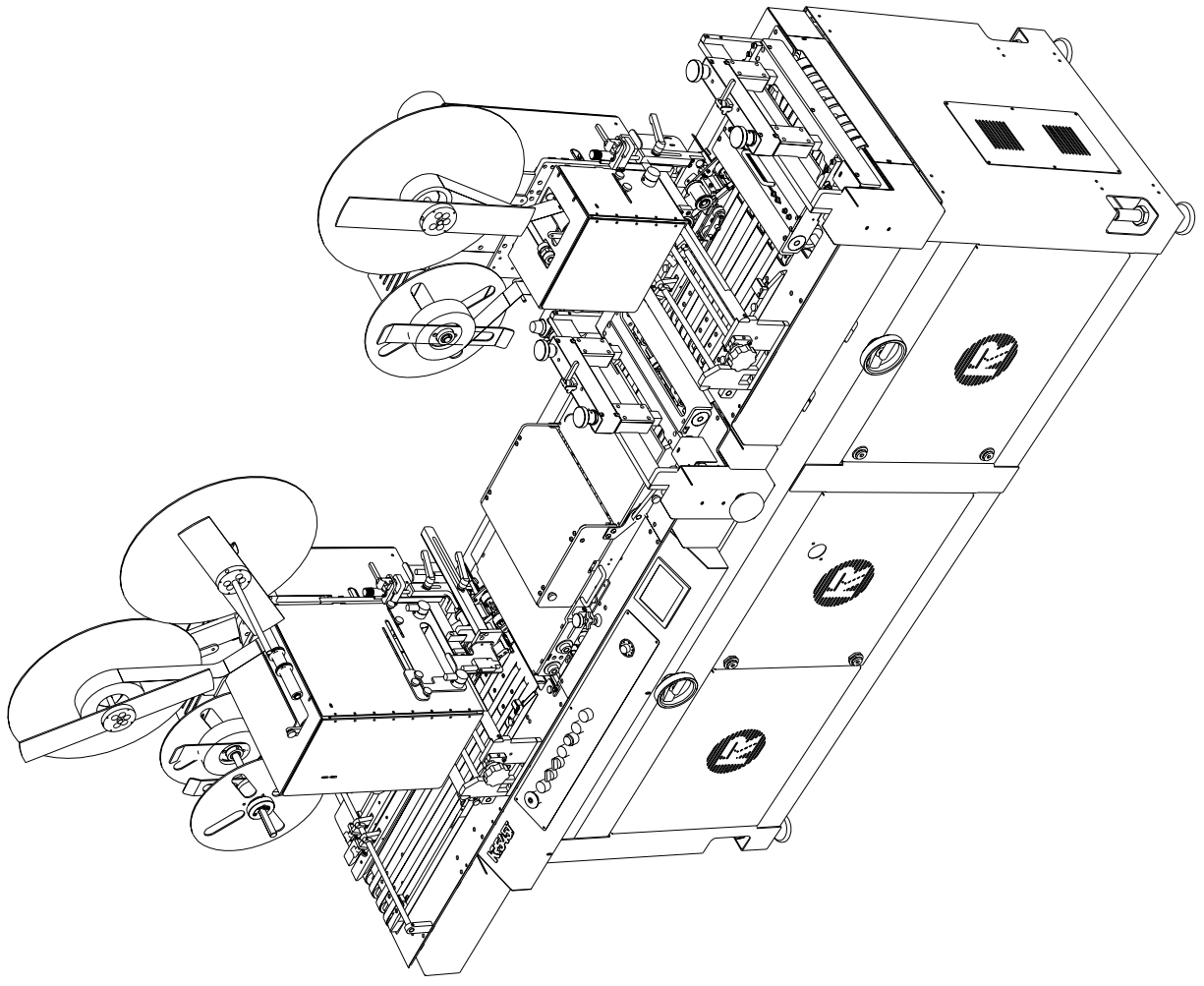
NO.	DESCRIPTION	KR545D	KR545T
22			✓
23			✓
24			✓

KR545 TABMASTER

NO.	DESCRIPTION	KR545D	KR545T
25			✓
26			✓
27			✓

KR545 TABMASTER

NO.	DESCRIPTION	KR545D	KR545T
28			✓
29			✓



KR545TWE

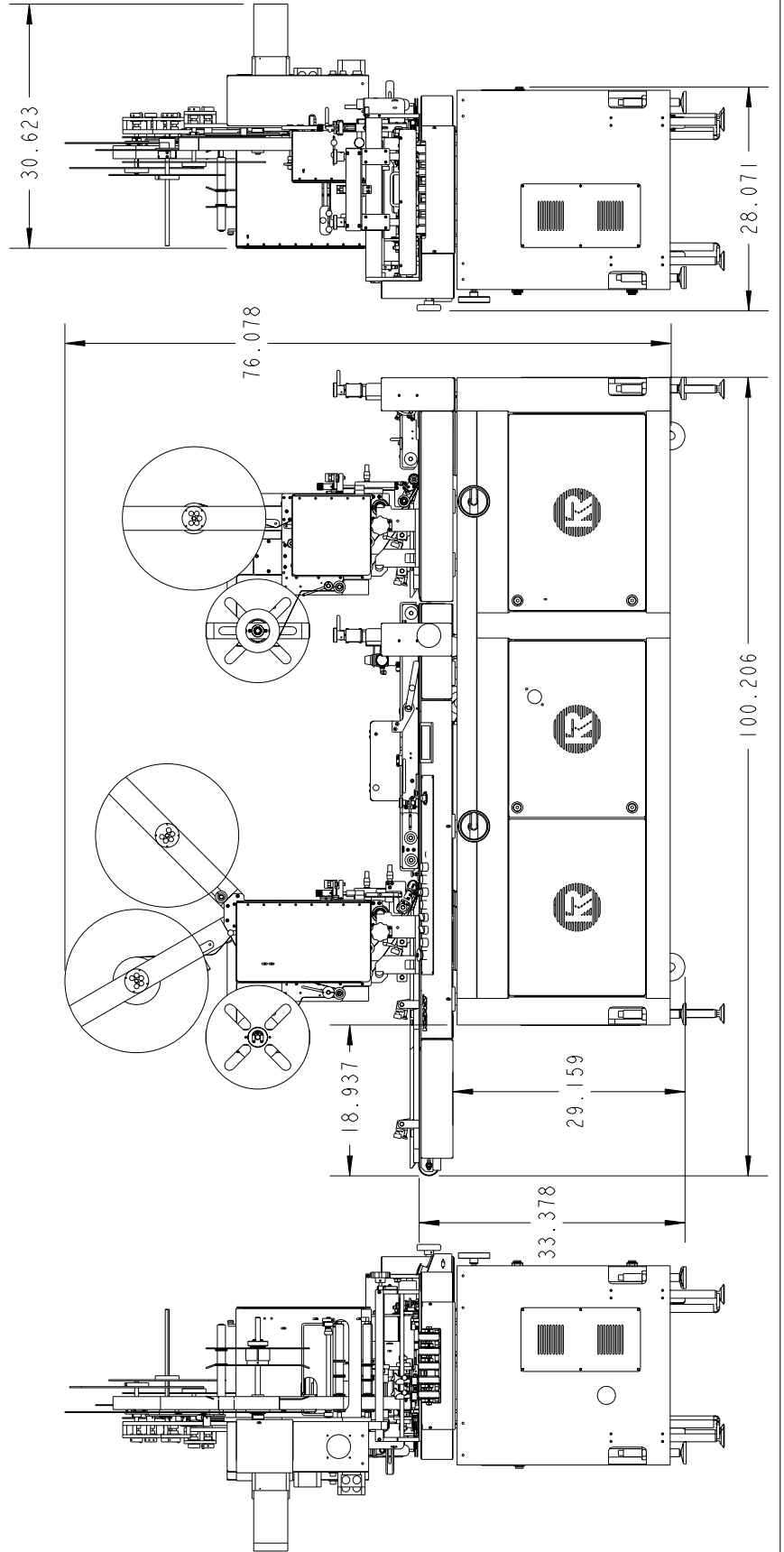
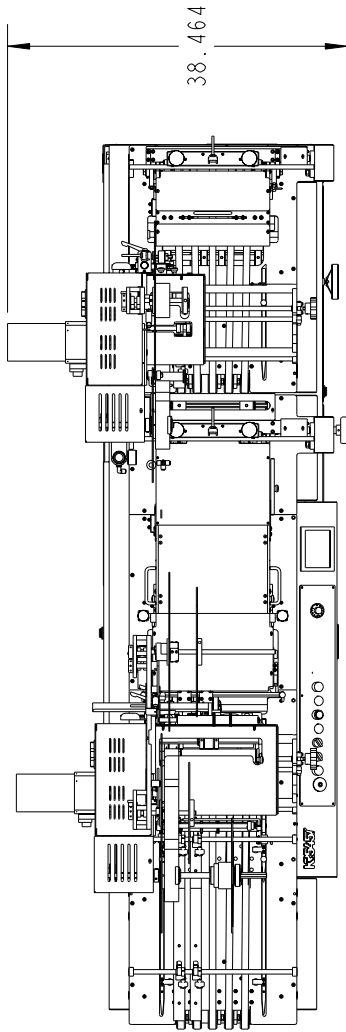
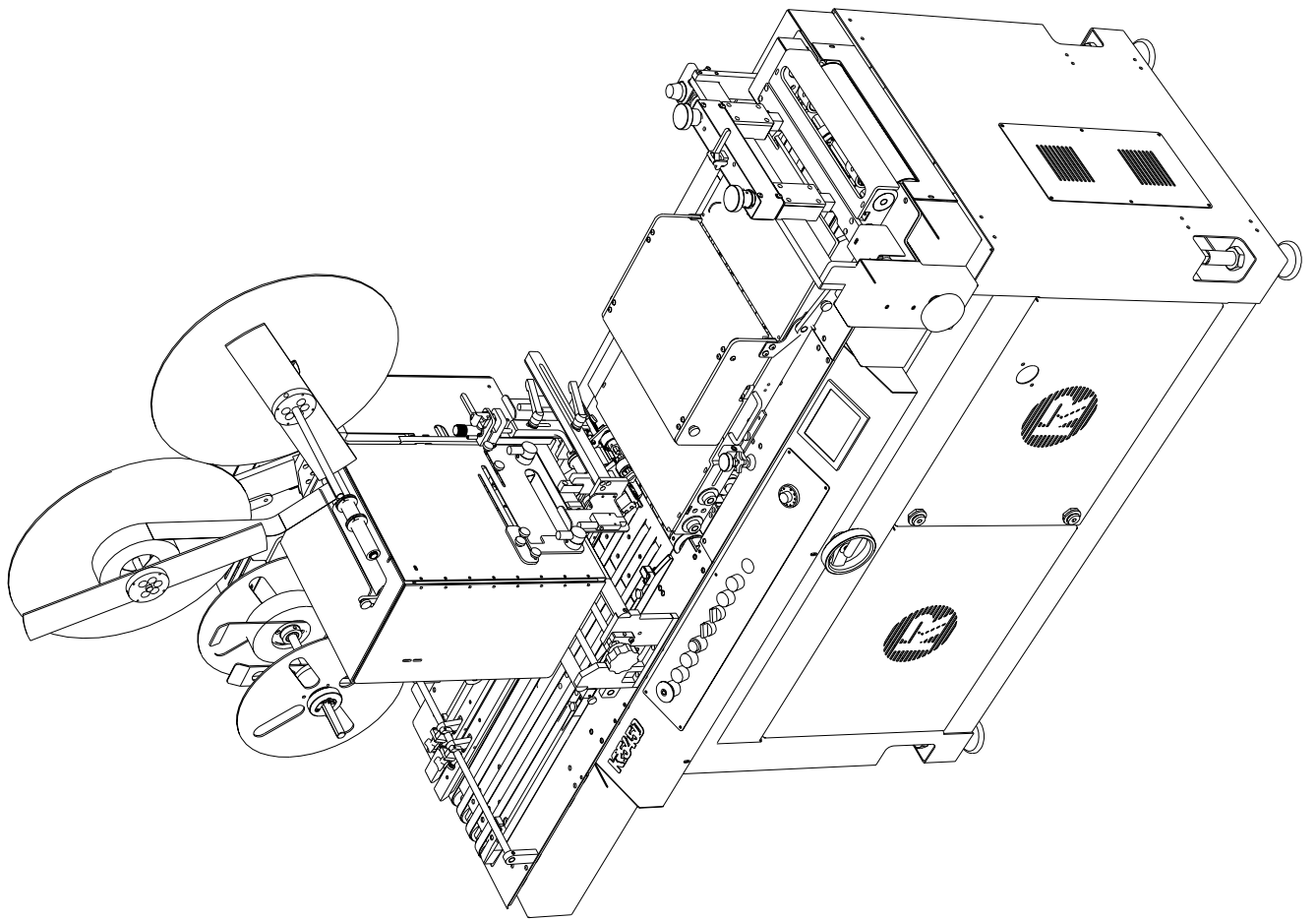


FIGURE 1.0



KR545DWE

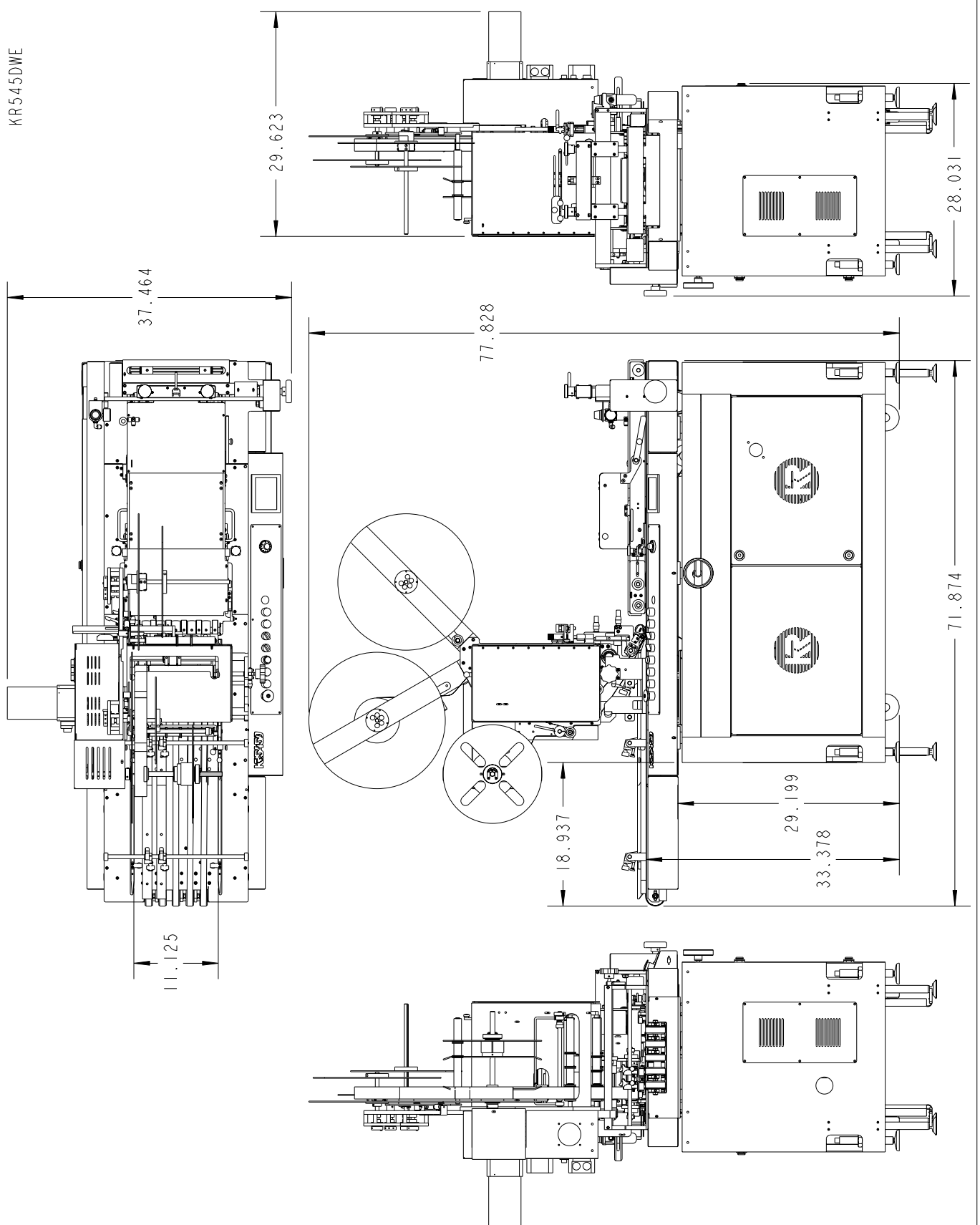


FIGURE 1.0