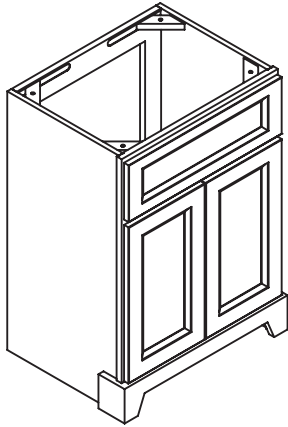
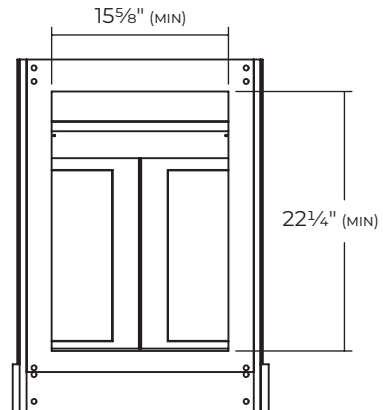


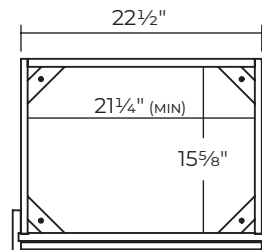
24" Shallow Depth Vanity



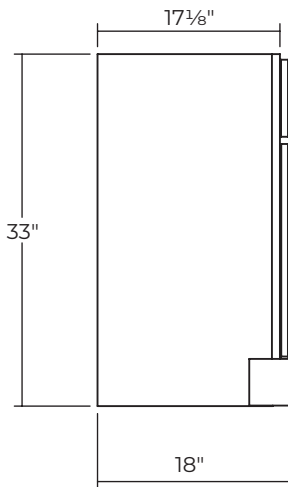
BACK VIEW



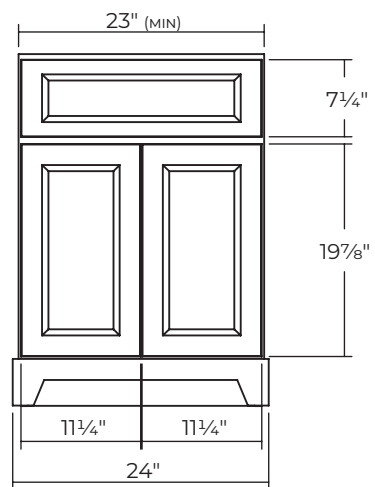
TOP VIEW



SIDE VIEW

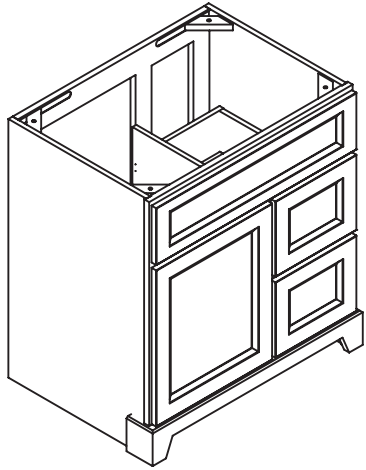


FRONT VIEW

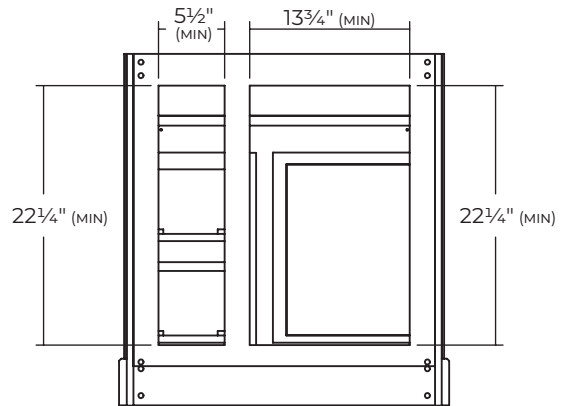


NOTE: Measurements are approximate and are provided for informational purposes only. Tolerance +/- 1/8".

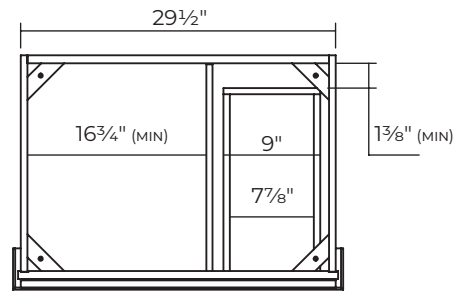
30" Right Drawer Standard Depth Vanity



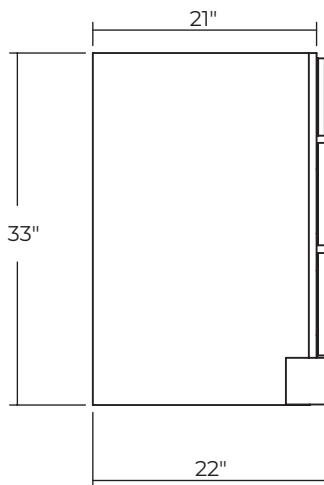
BACK VIEW



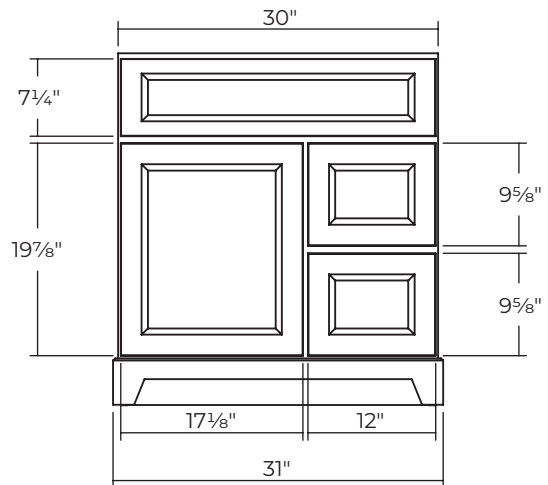
TOP VIEW



SIDE VIEW

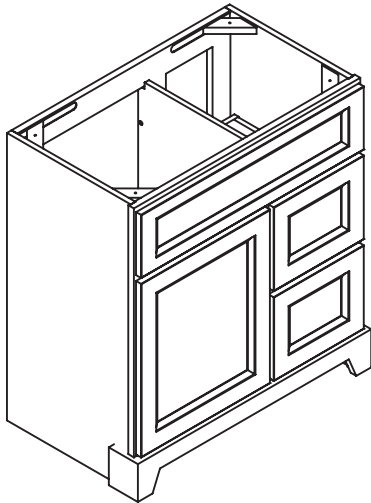


FRONT VIEW

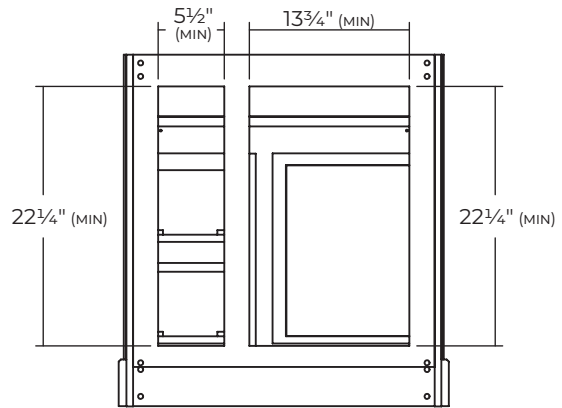


NOTE: Measurements are approximate and are provided for informational purposes only. Tolerance +/- 1/8".

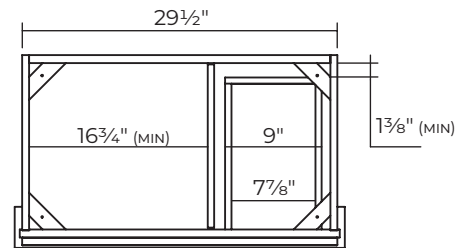
30" Right Drawer Shallow Depth Vanity



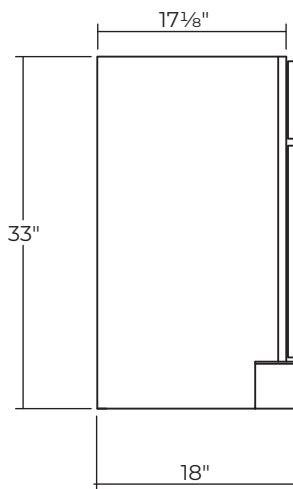
BACK VIEW



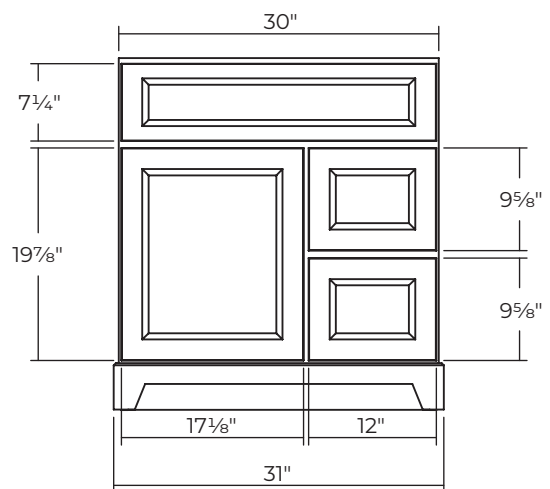
TOP VIEW



SIDE VIEW

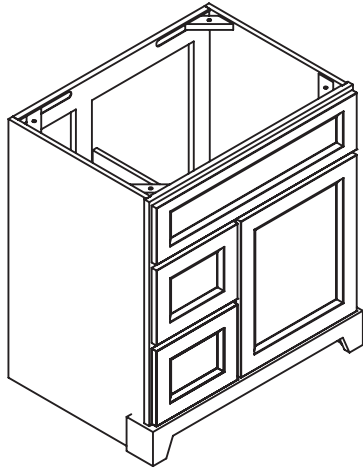


FRONT VIEW

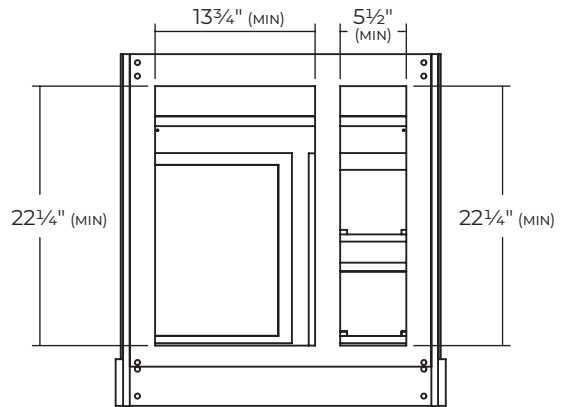


NOTE: Measurements are approximate and are provided for informational purposes only. Tolerance +/- 1/8".

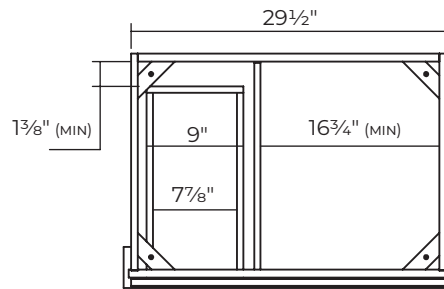
30" Left Drawer Standard Depth Vanity



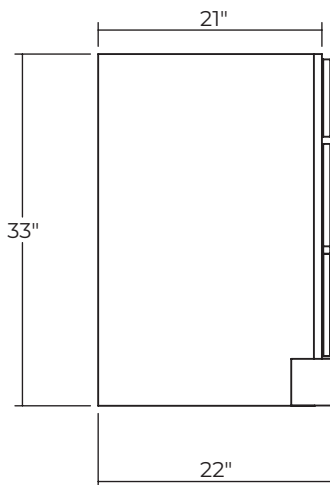
BACK VIEW



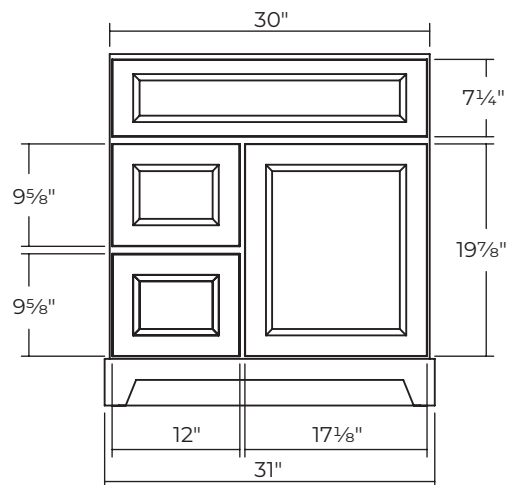
TOP VIEW



SIDE VIEW

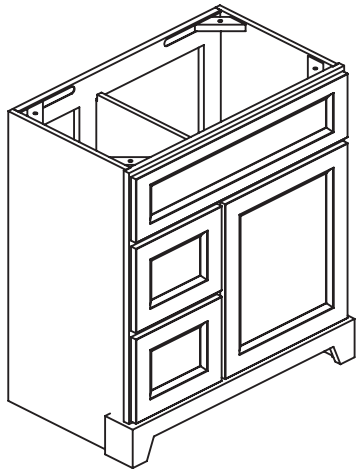


FRONT VIEW

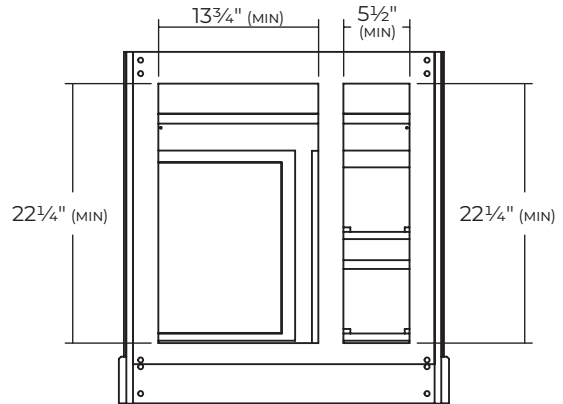


NOTE: Measurements are approximate and are provided for informational purposes only. Tolerance $\pm \frac{1}{8}"$.

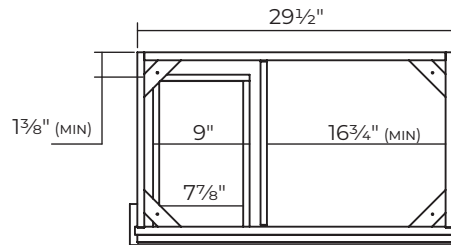
30" Left Drawer Shallow Depth Vanity



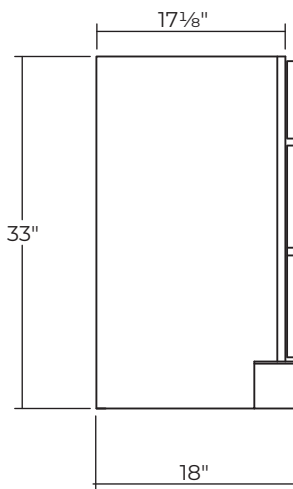
BACK VIEW



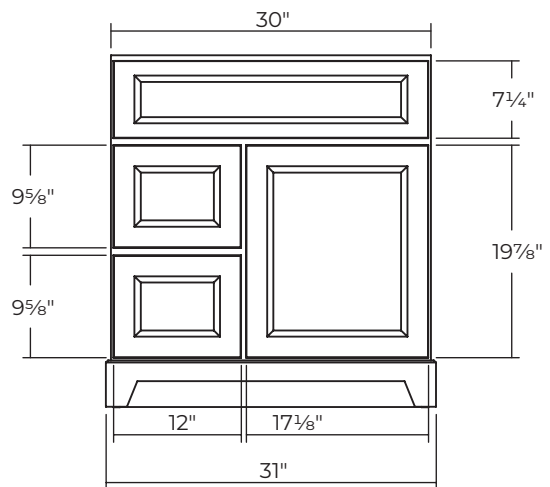
TOP VIEW



SIDE VIEW

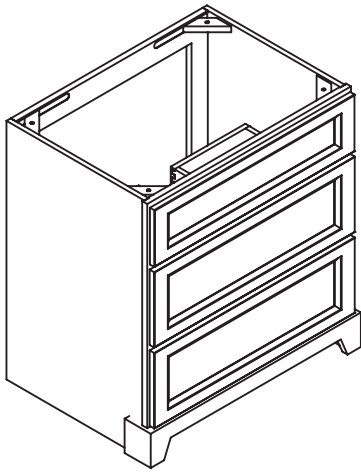


FRONT VIEW



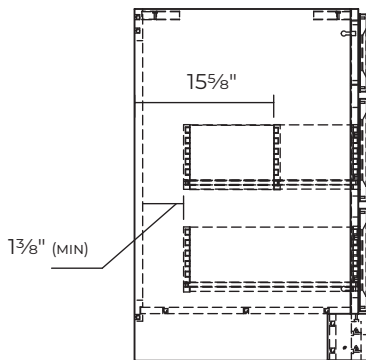
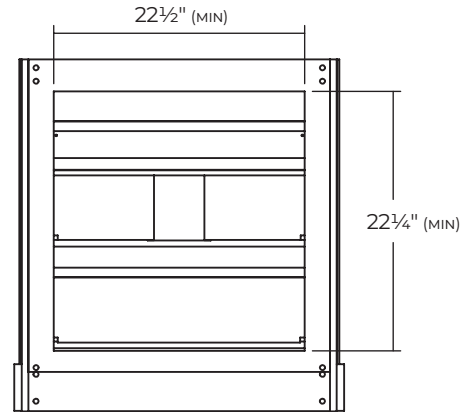
NOTE: Measurements are approximate and are provided for informational purposes only. Tolerance +/- 1/8".

30" Dresser Style Standard Depth Vanity



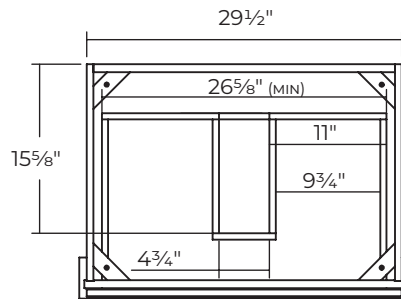
SIDE VIEW (DRAWERS)

BACK VIEW

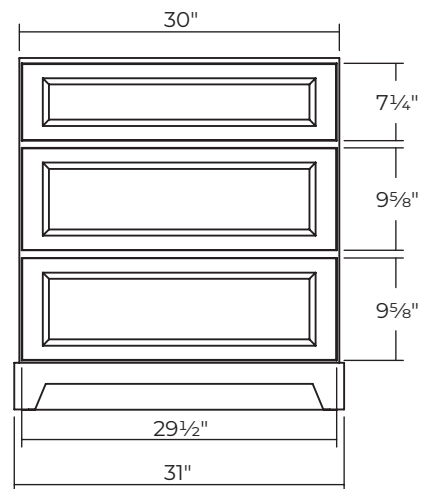
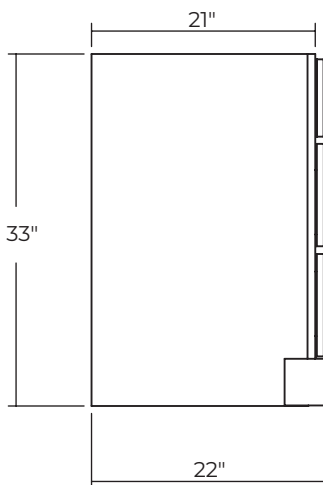


SIDE VIEW

TOP VIEW

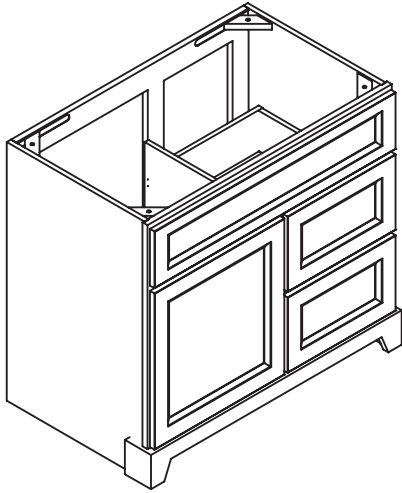


FRONT VIEW

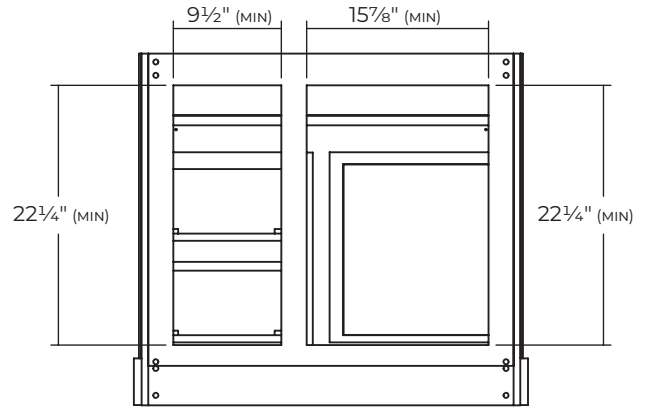


NOTE: Measurements are approximate and are provided for informational purposes only. Tolerance +/- ⅛".

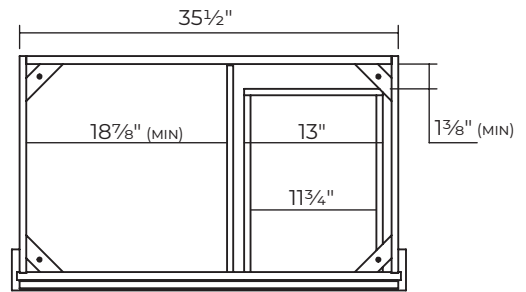
36" Right Drawer Standard Depth Vanity



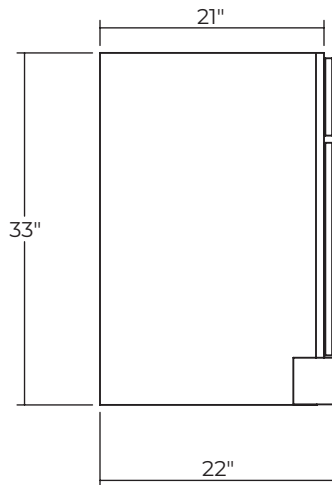
BACK VIEW



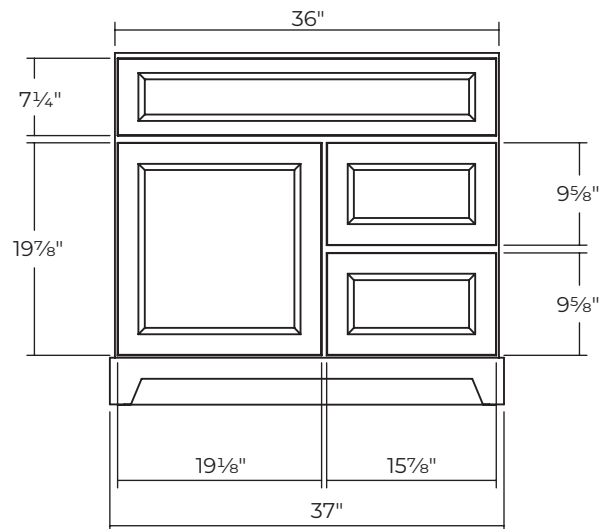
TOP VIEW



SIDE VIEW

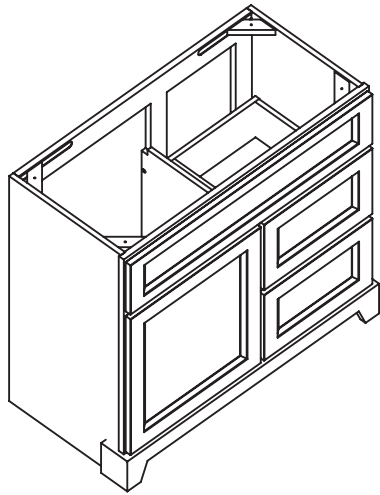


FRONT VIEW

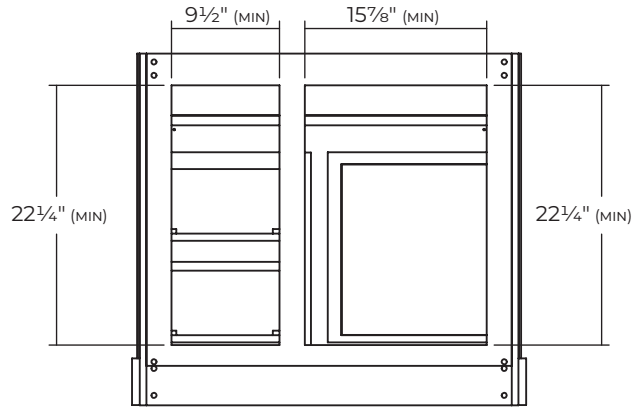


NOTE: Measurements are approximate and are provided for informational purposes only. Tolerance +/- 1/8".

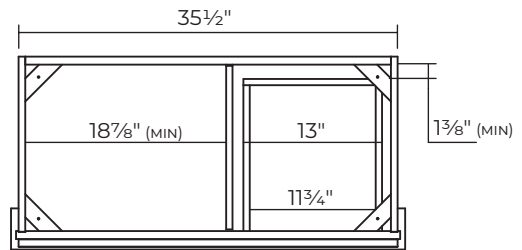
36" Right Drawer Shallow Depth Vanity



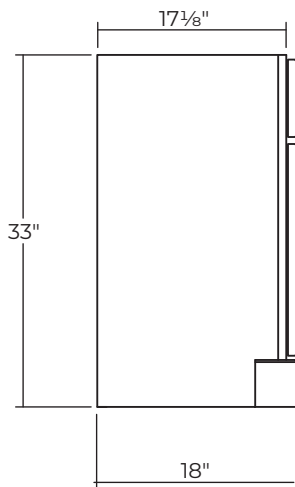
BACK VIEW



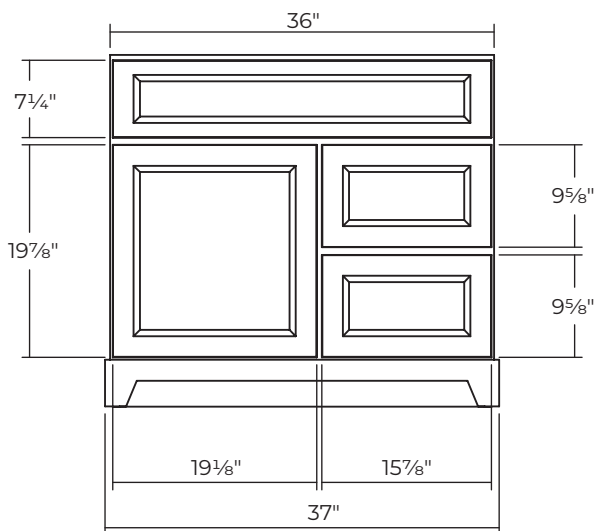
TOP VIEW



SIDE VIEW

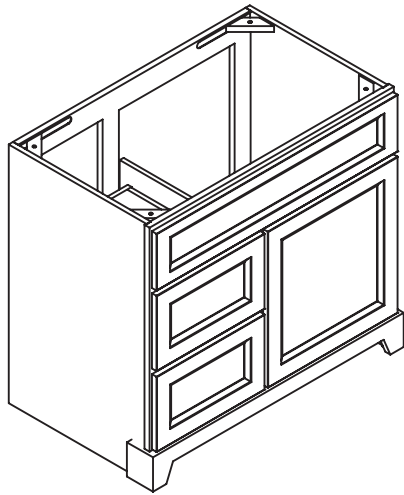


FRONT VIEW

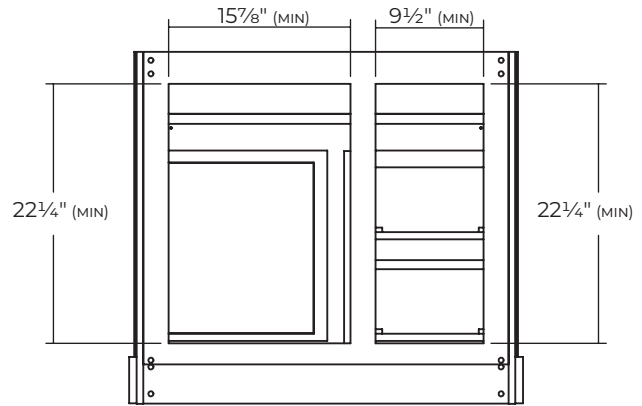


NOTE: Measurements are approximate and are provided for informational purposes only. Tolerance +/- 1/8".

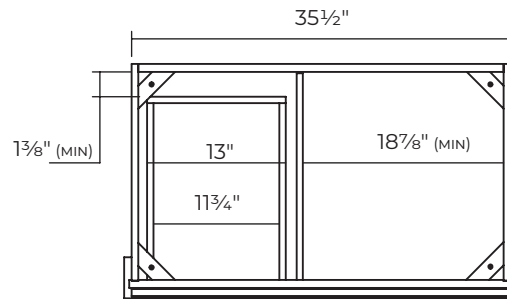
36" Left Drawer Standard Depth Vanity



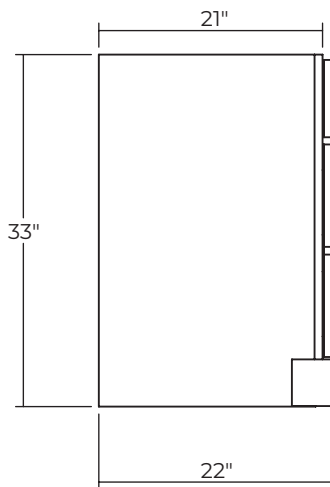
BACK VIEW



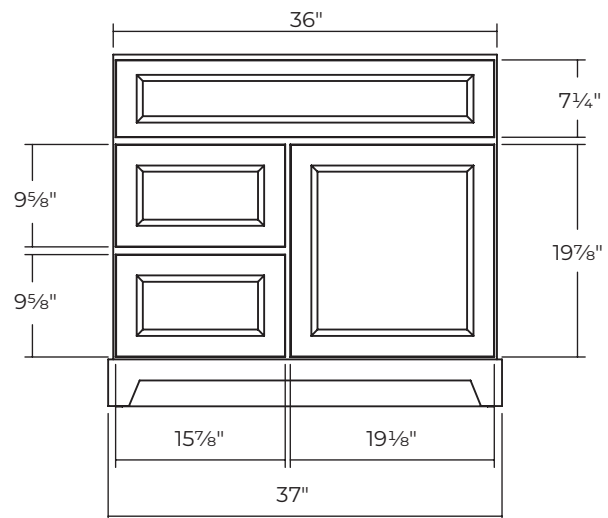
TOP VIEW



SIDE VIEW

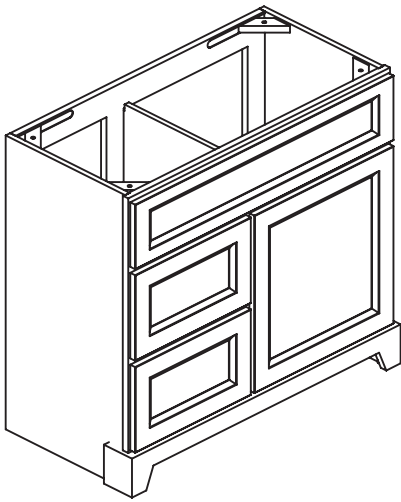


FRONT VIEW

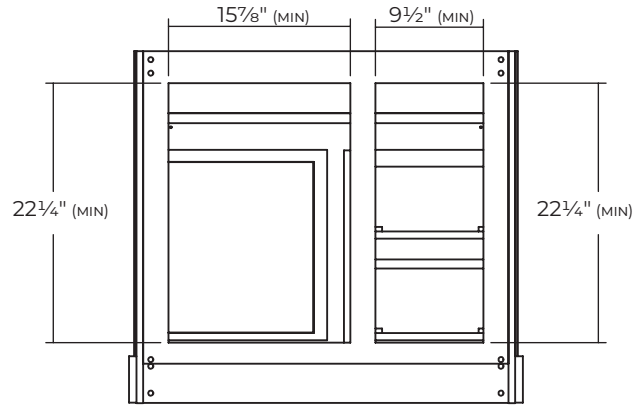


NOTE: Measurements are approximate and are provided for informational purposes only. Tolerance +/- 1/8".

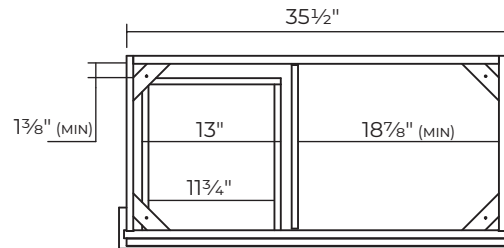
36" Left Drawer Shallow Depth Vanity



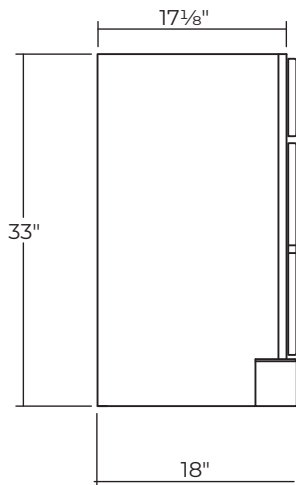
BACK VIEW



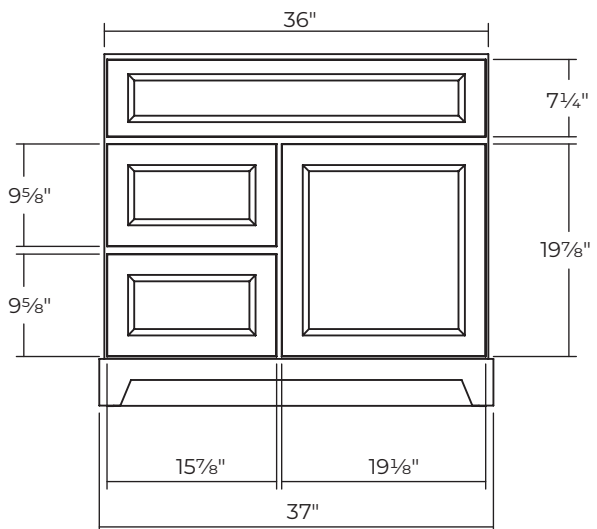
TOP VIEW



SIDE VIEW

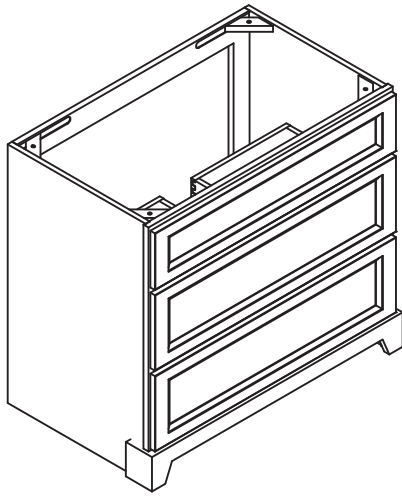


FRONT VIEW



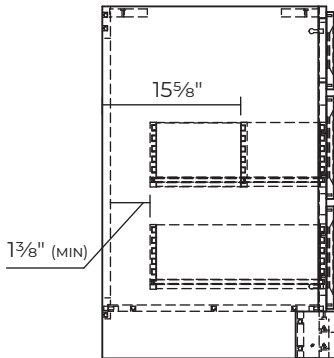
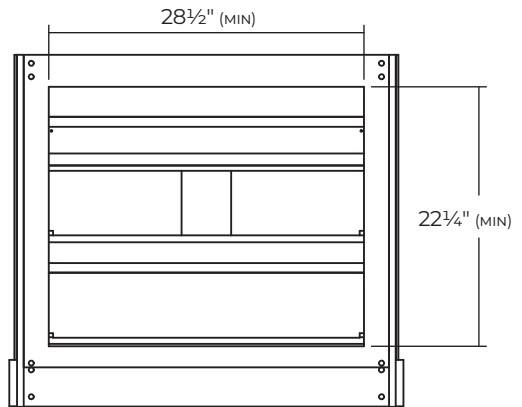
NOTE: Measurements are approximate and are provided for informational purposes only. Tolerance +/- 1/8".

36" Dresser Style Standard Depth Vanity



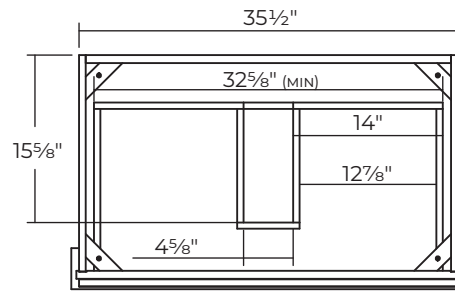
SIDE VIEW (DRAWERS)

BACK VIEW

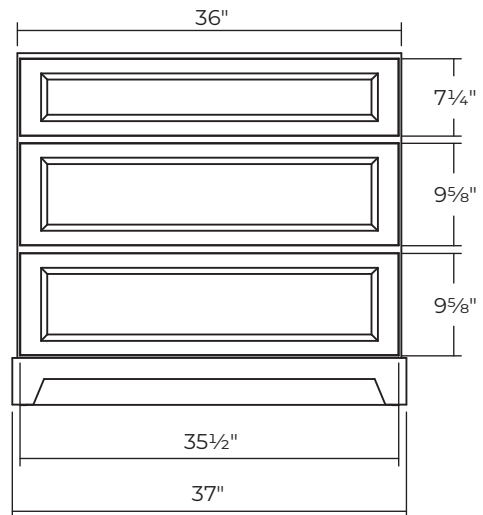
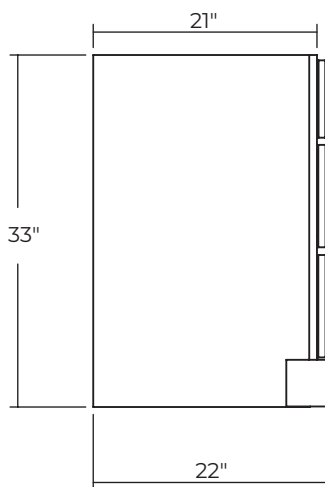


SIDE VIEW

TOP VIEW

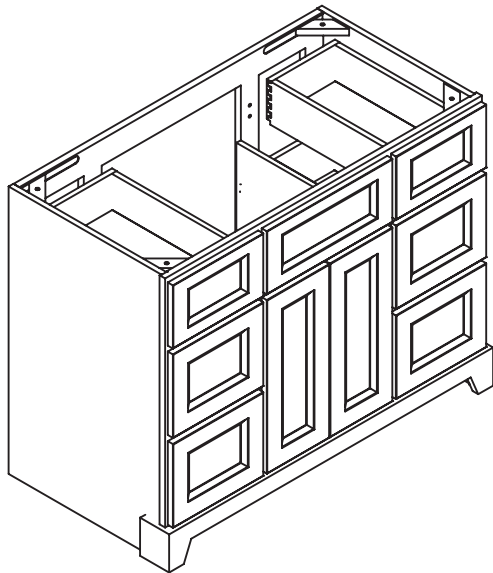


FRONT VIEW

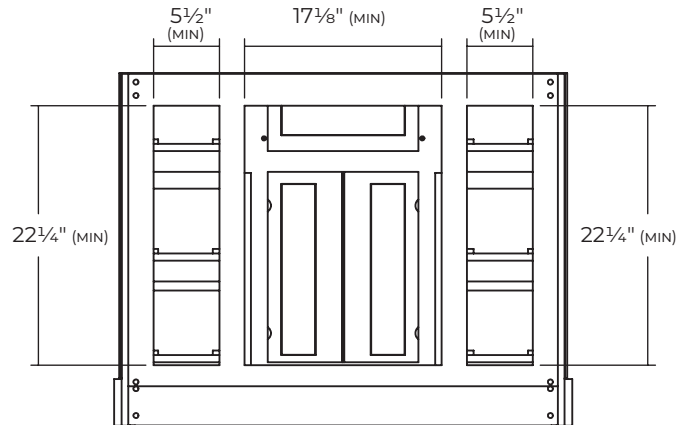


NOTE: Measurements are approximate and are provided for informational purposes only. Tolerance +/- 1/8".

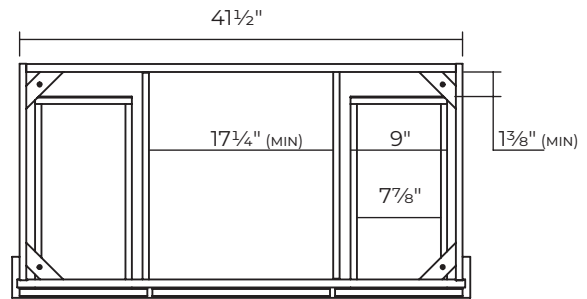
42" Standard Depth Vanity



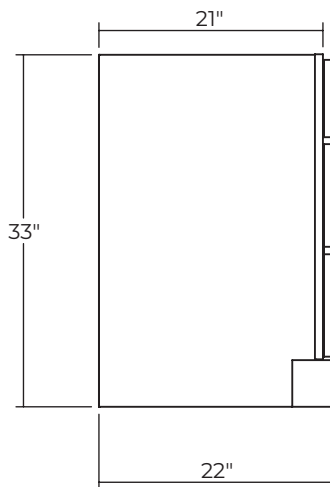
BACK VIEW



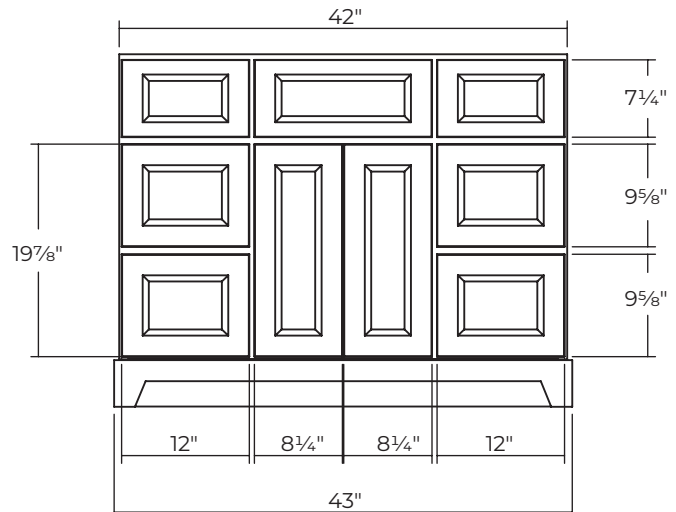
TOP VIEW



SIDE VIEW

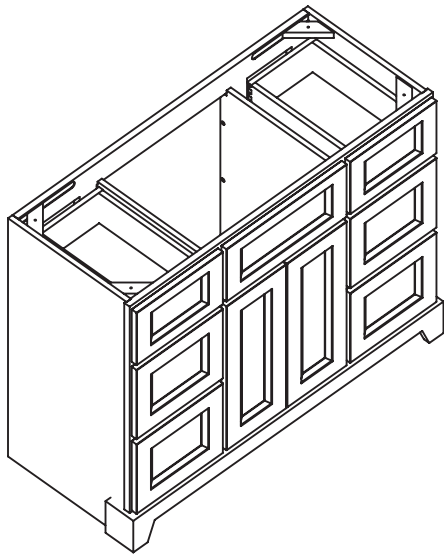


FRONT VIEW

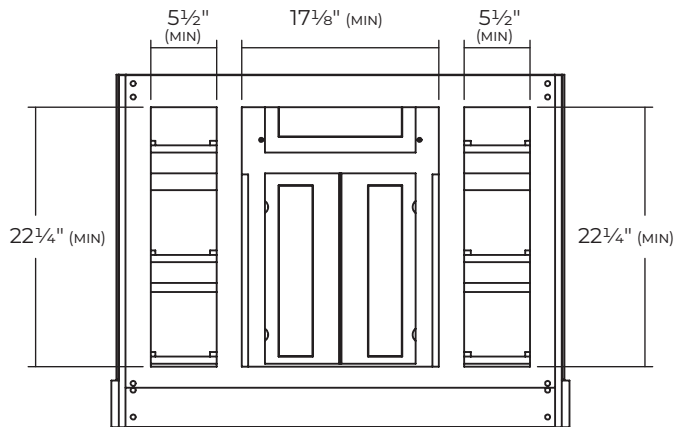


NOTE: Measurements are approximate and are provided for informational purposes only. Tolerance +/- $\frac{1}{8}$ ".

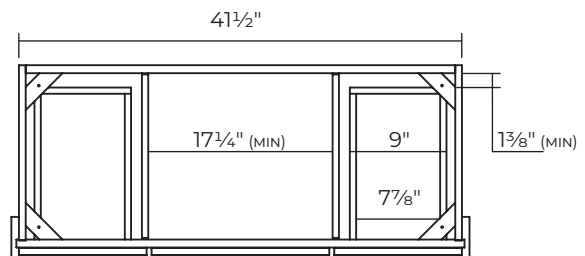
42" Shallow Depth Vanity



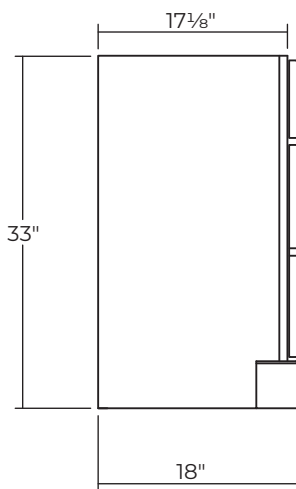
BACK VIEW



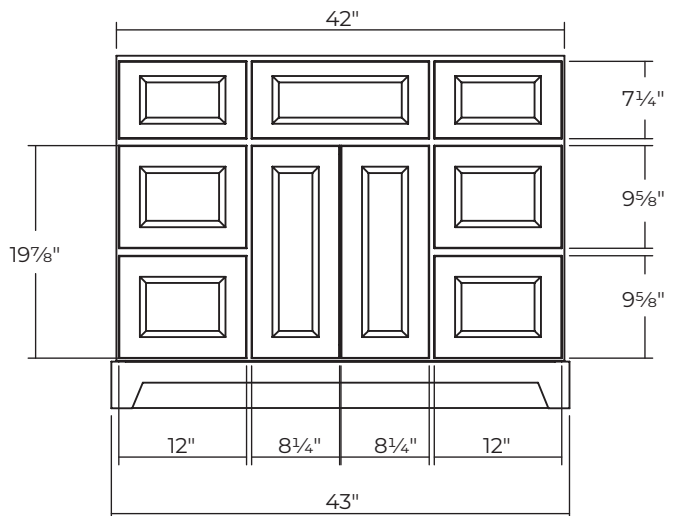
TOP VIEW



SIDE VIEW

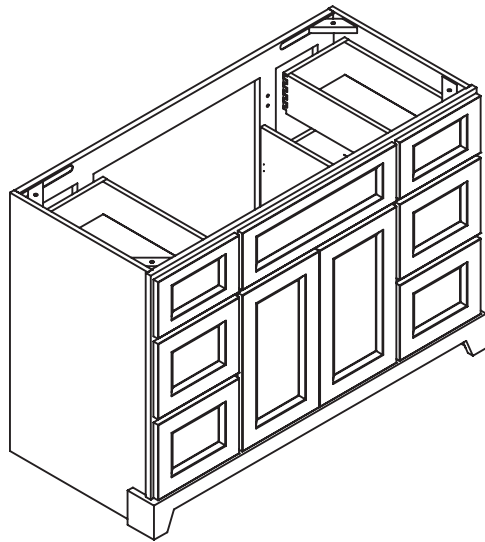


FRONT VIEW

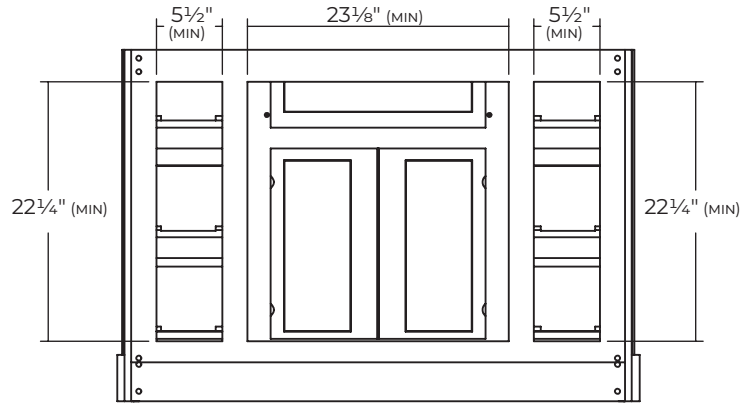


NOTE: Measurements are approximate and are provided for informational purposes only. Tolerance $\pm \frac{1}{8}"$.

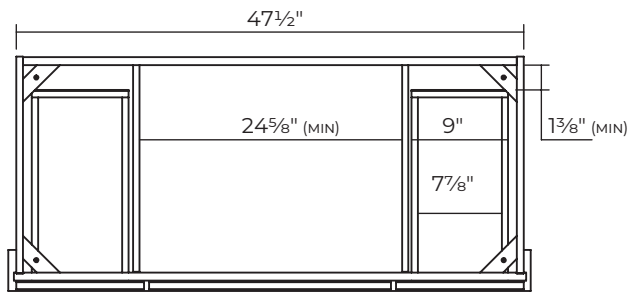
48" Standard Depth Vanity



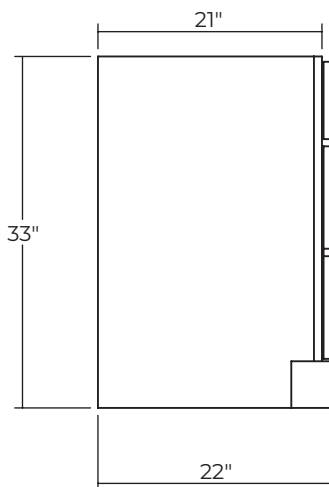
BACK VIEW



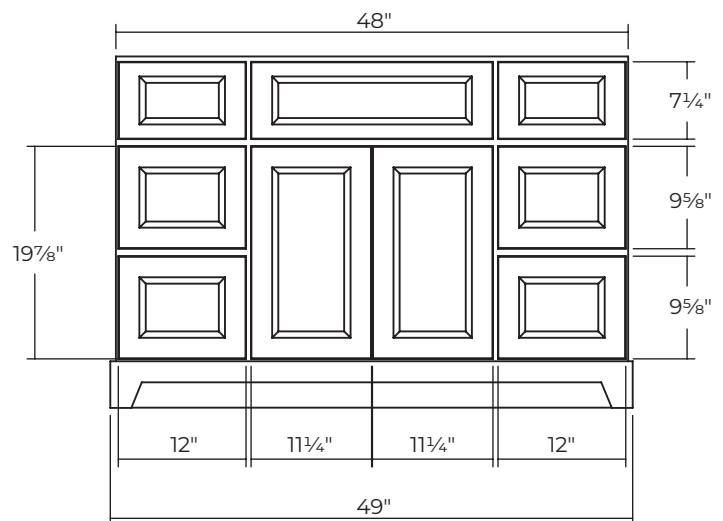
TOP VIEW



SIDE VIEW

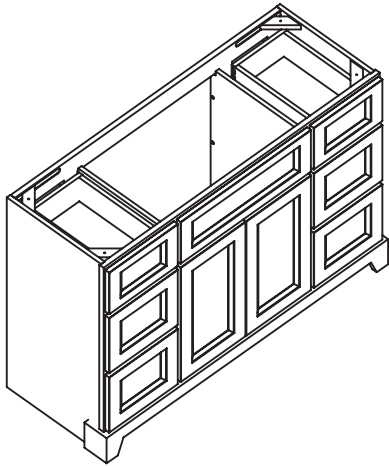


FRONT VIEW

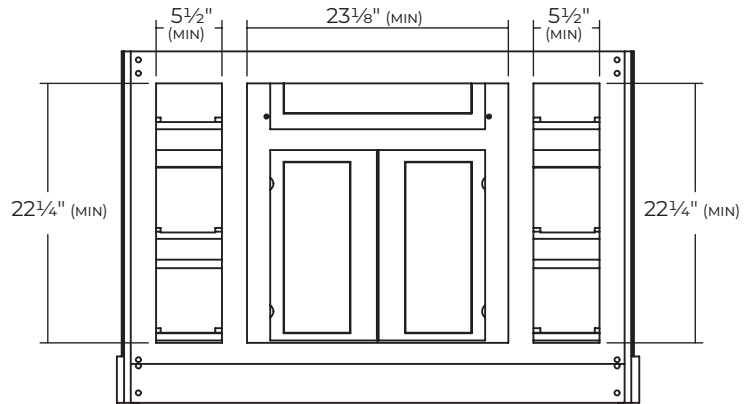


NOTE: Measurements are approximate and are provided for informational purposes only. Tolerance +/- 1/8".

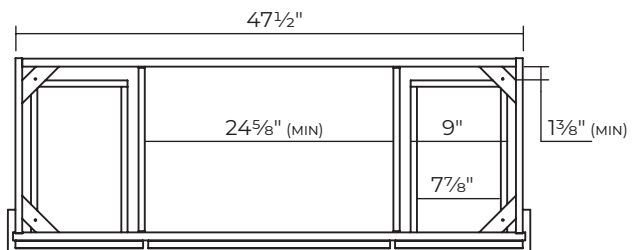
48" Shallow Depth Vanity



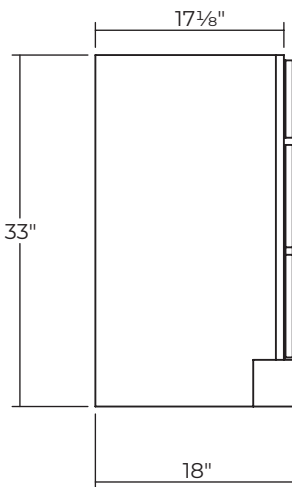
BACK VIEW



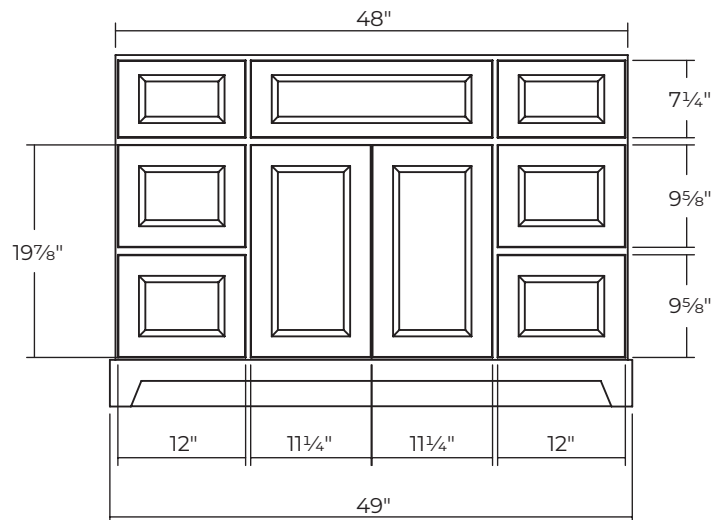
TOP VIEW



SIDE VIEW

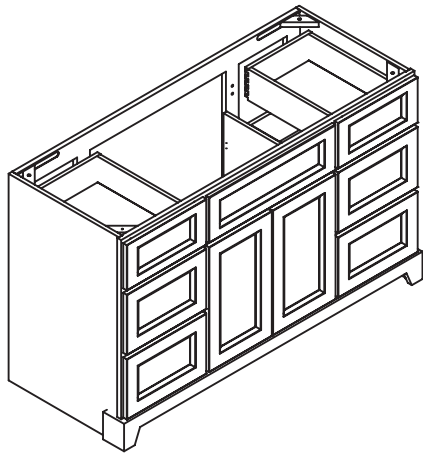


FRONT VIEW

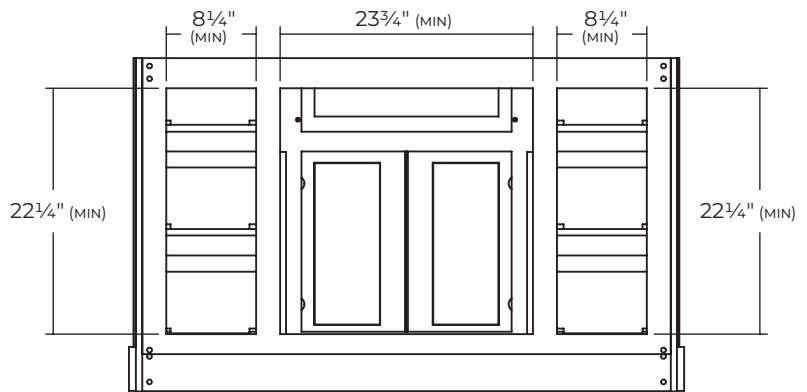


NOTE: Measurements are approximate and are provided for informational purposes only. Tolerance +/- 1/8".

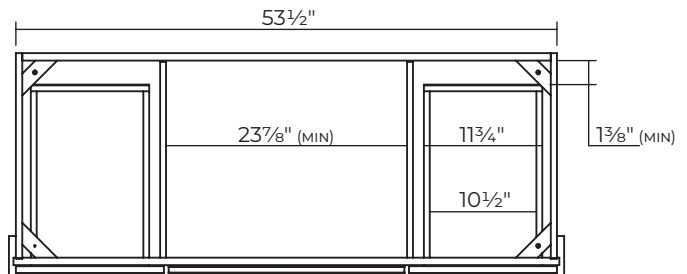
54" Standard Depth Vanity



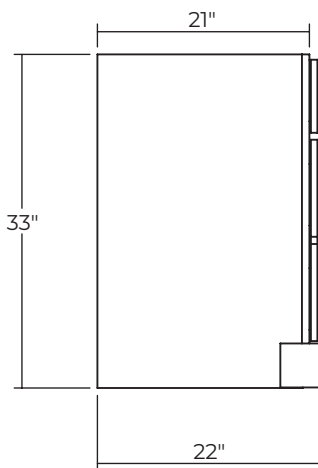
BACK VIEW



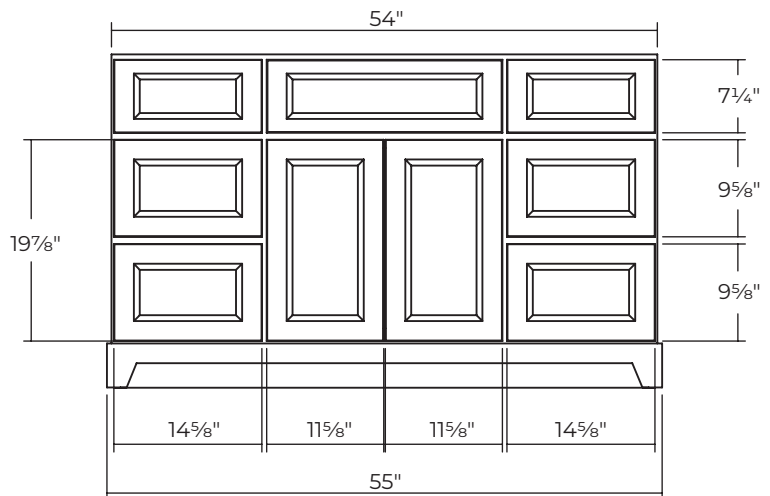
TOP VIEW



SIDE VIEW

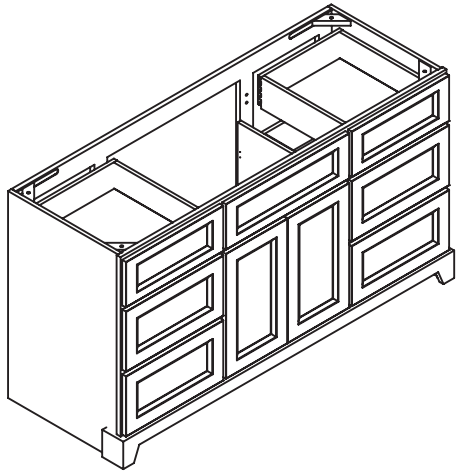


FRONT VIEW

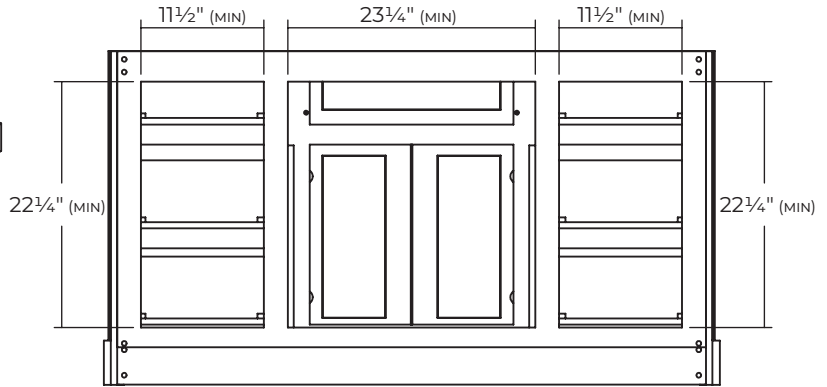


NOTE: Measurements are approximate and are provided for informational purposes only. Tolerance +/- 1/8".

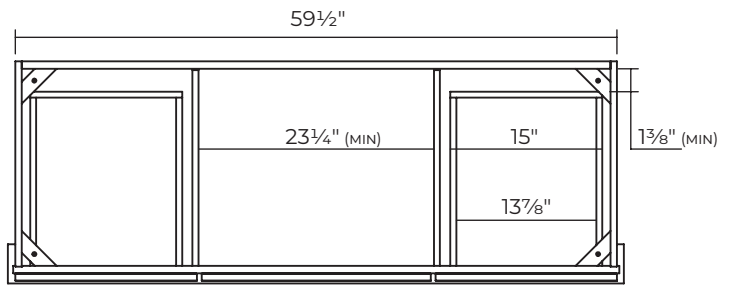
60" Single Sink Standard Depth Vanity



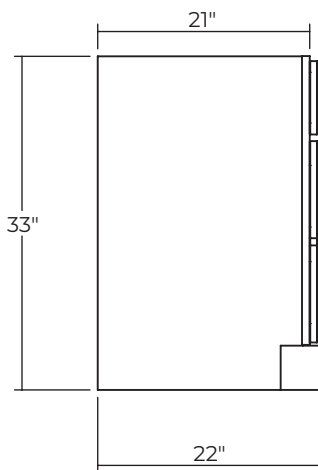
BACK VIEW



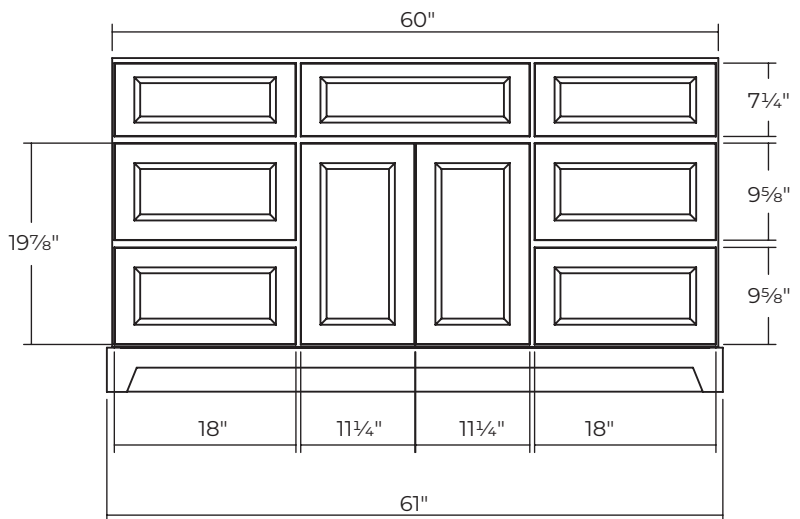
TOP VIEW



SIDE VIEW

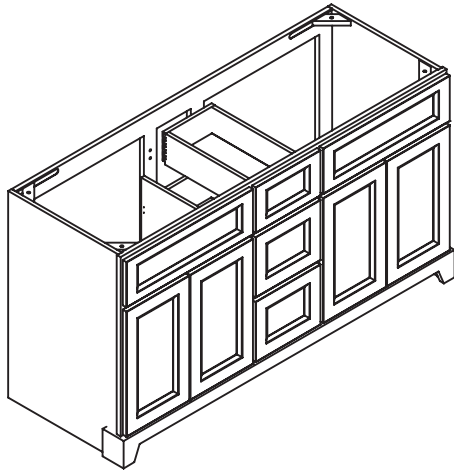


FRONT VIEW

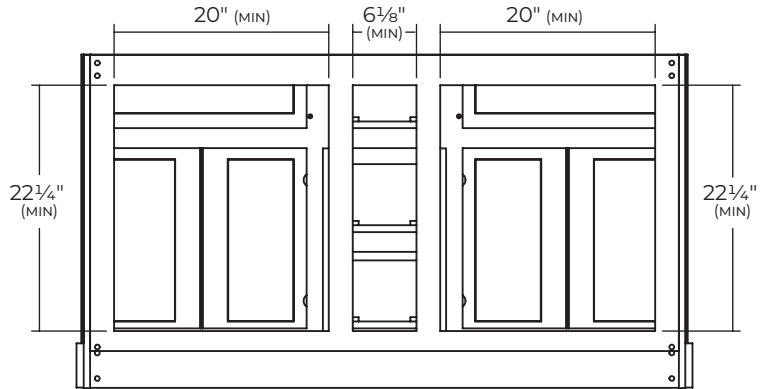


NOTE: Measurements are approximate and are provided for informational purposes only. Tolerance $\pm \frac{1}{8}"$.

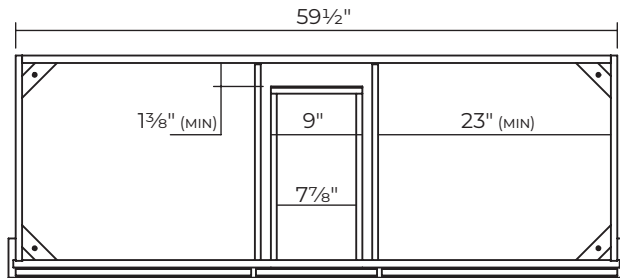
60" Double Sink Standard Depth Vanity



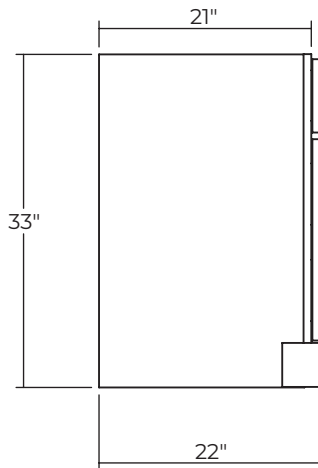
BACK VIEW



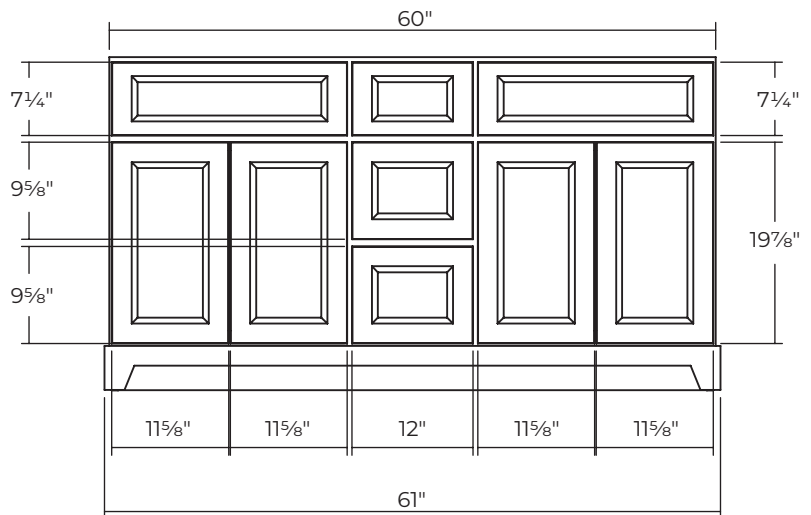
TOP VIEW



SIDE VIEW

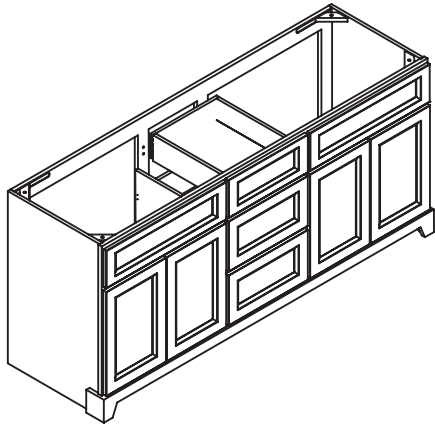


FRONT VIEW

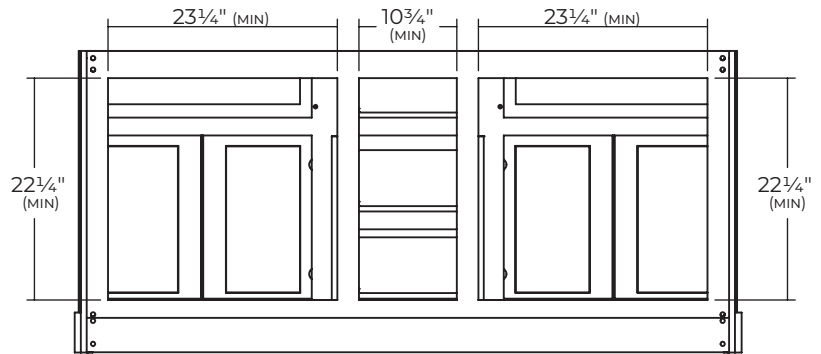


NOTE: Measurements are approximate and are provided for informational purposes only. Tolerance +/- 1/8".

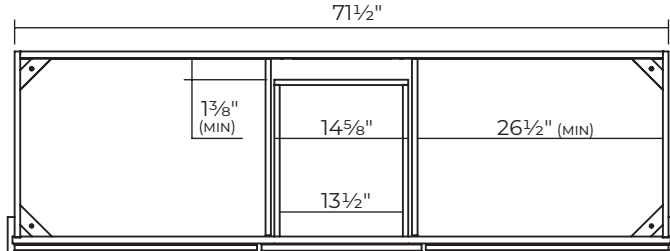
72" Double Sink Standard Depth Vanity



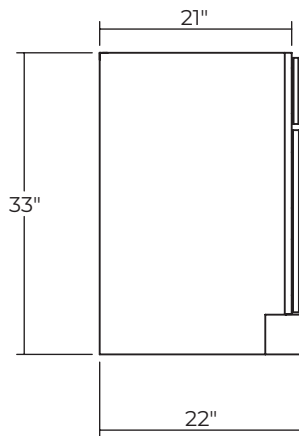
BACK VIEW



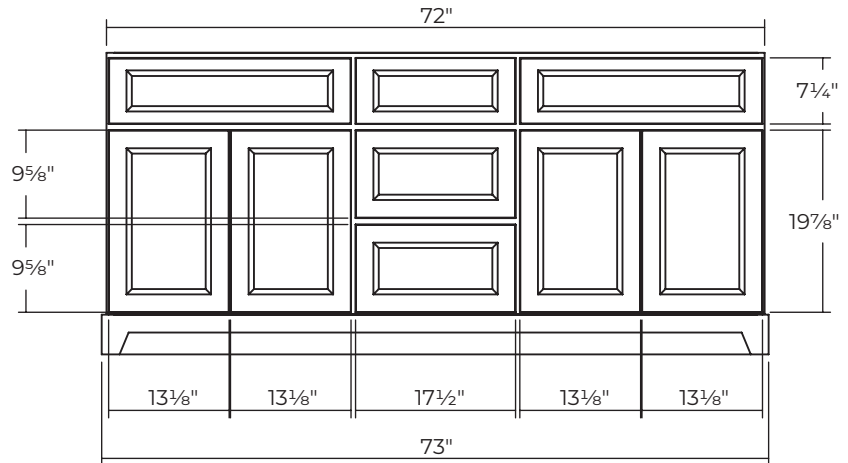
TOP VIEW



SIDE VIEW

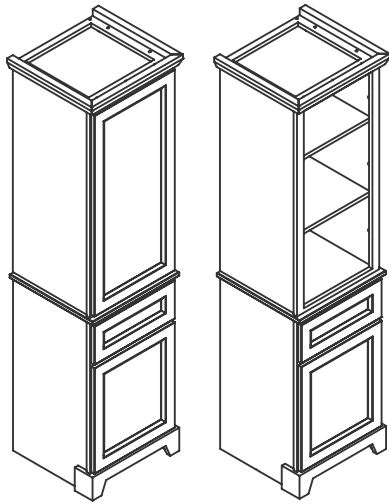


FRONT VIEW

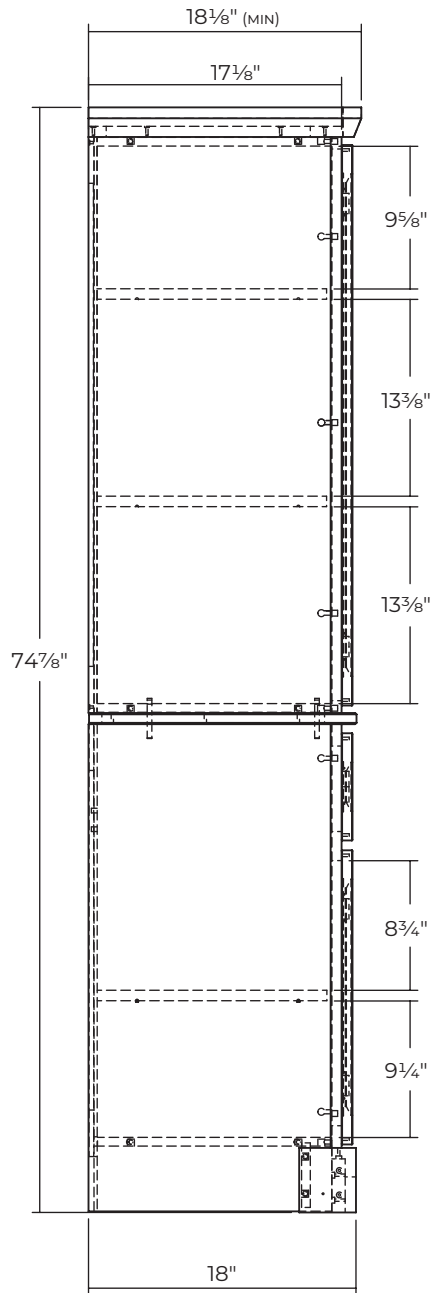


NOTE: Measurements are approximate and are provided for informational purposes only. Tolerance +/- 1/8".

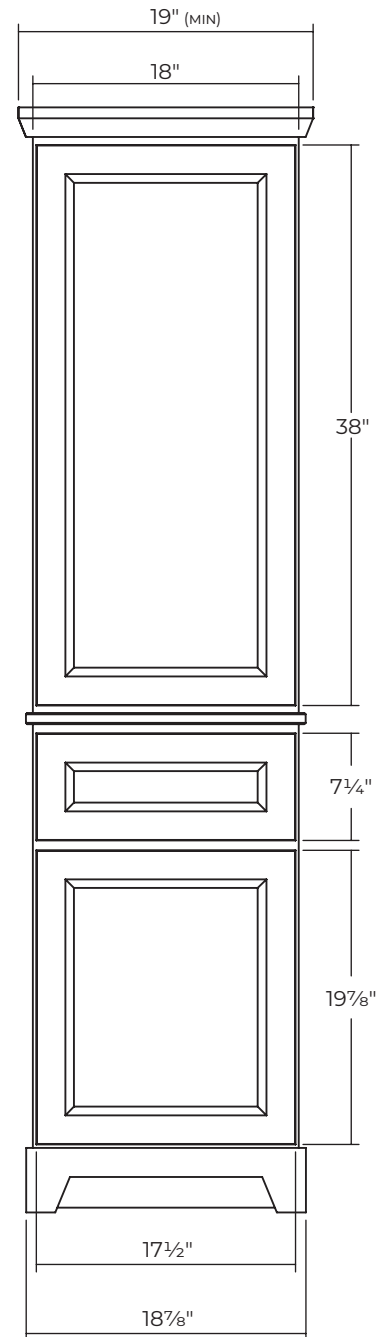
Linen Towers



SIDE VIEW



FRONT VIEW



FEATURES:

- Matching finished interior
- Available with an upper door or an open upper shelf
- Two adjustable shelves
- Can be integrated with a Standard Depth vanity
- Available with left or right hinges
- Soft-closing mechanism
- Solid wood furniture kick
- Available in all vanity finishes
- Ships in three pieces
- Can be installed against a wall by cutting back crown molding and using a filler strip (**NOTE:** *this cut must be performed on site by a skilled trades professional*)

NOTE: *Bottom door comes on all Linen Towers, however, upper door is optional at no additional charge. Linen towers cannot be integrated with Shallow Depth vanities.*

NOTE: *Measurements are approximate and are provided for informational purposes only. Tolerance +/- 1/8".*

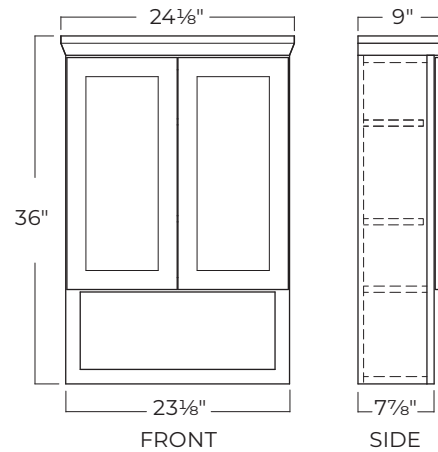
Accessories

Bath Storage Cabinet

FEATURES:

- Finished interior with two adjustable wooden shelves
- Added storage for smaller bathrooms
- Solid wood crown molding
- Soft-closing mechanism on doors
- Available in all vanity finishes

SPECIFICATIONS:



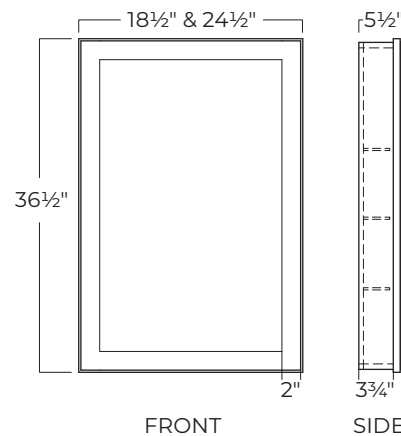
Medicine Cabinets

FEATURES:

- Flush or recessed option at no additional cost
- Finished interior
- Three adjustable glass shelves
- Wood-framed mirror door
- Right or left hinged
- Available in all vanity finishes

NOTE: For 18" recessed installation, the wall opening requirement is 35 7/8" x 17 3/4". For 24" recessed installation, the wall opening requirement is 35 7/8" x 23 3/4".

SPECIFICATIONS:



NOTE: Measurements are approximate and are provided for informational purposes only. Tolerance +/- 1/8".

Accessories

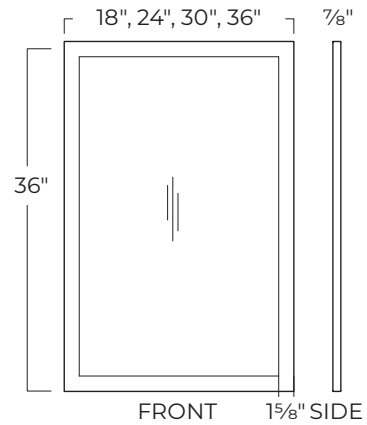
Wood Mirrors

FEATURES:

- Solid wood frame
- Available in all vanity finishes
- Able to install vertically or horizontally

NOTE: Two 18" mirrors are recommended if integrating linen towers with a 60" double sink vanity. The width of the crown molding on the linen towers will prevent 24" mirrors from being centered over the sinks.

SPECIFICATIONS:



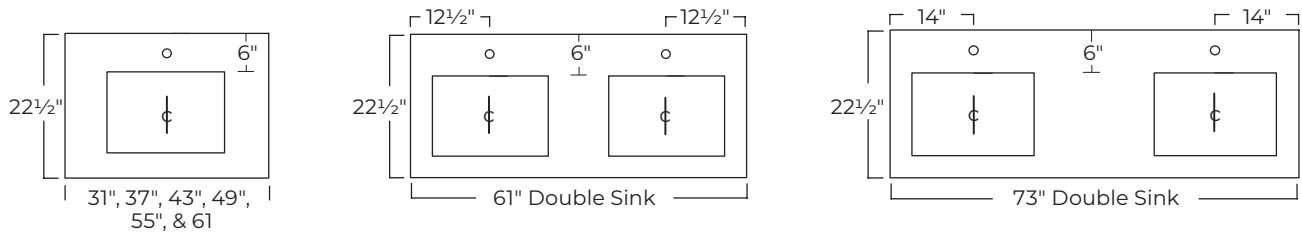
NOTE: Measurements are approximate and are provided for informational purposes only. Tolerance +/- 1/8".

Standard Depth Stone Tops

FEATURES:

- 1 $\frac{1}{8}$ " (3 cm) thick
- Vanity top comes with one backsplash and sink(s)
- Choose from 3 faucet drill patterns: Single, 4" on center, and 8" on center
- Side splashes are included based on layout option chosen on order form
- Backsplash and side splash are 4" high
- Stone opening for Rectangular Sinks: 17" x 11 $\frac{3}{4}$ "

SINK POSITIONING

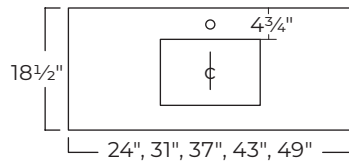


Shallow Depth Stone Tops

FEATURES:

- $\frac{3}{4}$ " (2 cm) thick
- Available in single, 4" or 8" on center faucet hole drill pattern.
- Vanity top comes with one backsplash and sink
- Side splashes are included based on layout option chosen on order form
- Backsplash and side splash are 4" high
- Stone opening for Rectangular Sinks: 15 $\frac{1}{8}$ " x 10"

SINK POSITIONING



Due to the narrow spacing between the backsplash and faucet drill hole, a pop-up drain system is recommended (avoid traditional lift rod drain systems). Faucet mounting nut/bracket to be 2 $\frac{1}{8}$ " (54mm) or less in diameter, for proper installation.

NOTE: Measurements are approximate and are provided for informational purposes only. Tolerance +/- $\frac{1}{8}$ ".

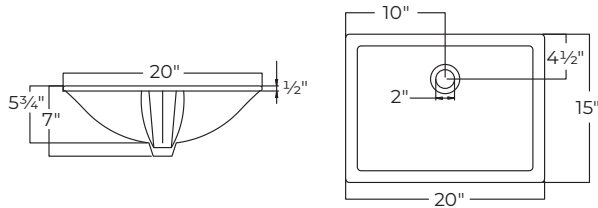
Standard Depth Sinks

Classic Sinks

Distinguished by a deep elongated basin, the Classic sink is a traditional style. The wide-shaped, sweeping sides rest under the counter. Available in White.

PROFILE

17" x 11³/₄" Stone Top Opening

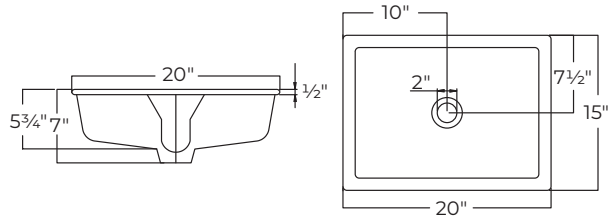


Manhattan Sinks

With unique vertical sides, a low sloping bottom and a center drain location, the Manhattan sink brings a modern contemporary look to any vanity combination. Available in White.

PROFILE

17" x 11³/₄" Stone Top Opening



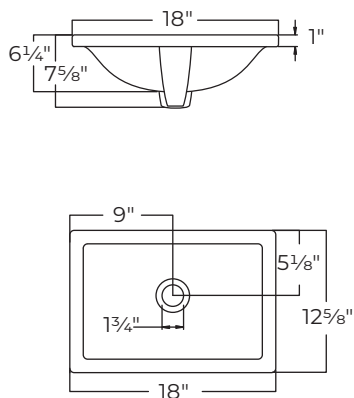
Shallow Depth Sinks

Classic Sink

Distinguished by a deep elongated basin, the Classic sink is a traditional style. The wide-shaped, sweeping sides rest under the counter. Available in White.

PROFILE

15¹/₈" x 10" Stone Top Opening

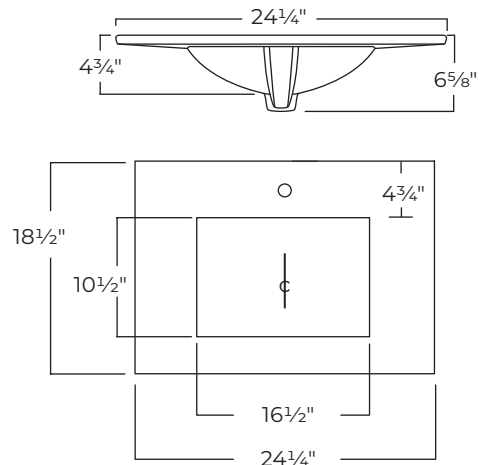


Porcelain Sink for 24" Vanities

This white porcelain top comes with an integrated rectangular sink and a sleek, modern profile. It features an overflow drain and non-porous glaze that prevents discoloration and fading. The wide, flat border around the basin provides practical storage.

Only available with single hole faucet drill pattern.

Dimensions: 24¹/₄" x 18¹/₂"



NOTE: Measurements are approximate and are provided for informational purposes only. Tolerance +/- 1/8".