



FACTORY LEDS

Tri Proof Series



- ◆ IP67 Protection Rating
- ◆ CRI Ra80
- ◆ CCT 4000K, 5000K
- ◆ 90-304 VAC
- ◆ -25 to +40 C Operating T.
- ◆ 5 years warranty

Part Number	TRI-6KLM40	TRI-8KLM60	TRI-9KLM70
Lumen Output	5,700 LM	7,680 LM	8,960 LM
Wattage	45W	60W	70W
Luminous Efficacy	120LM/W		
Size	120c94x60 cm	150c94x60 cm	240c94x60 cm
Weight (CTN)	12.8kg (6)	21.2kg (6)	25.7kg (6)
Beam Angle	270 °		
HID Equivalent	100W	150W	250W
Certification	cULus, CE RoHS		

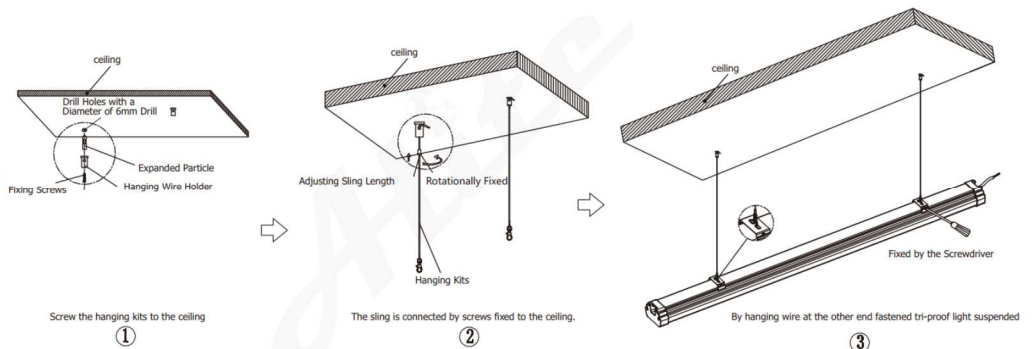


Photo -
Motion
Remote

Ordering Info	Part Number	CCT	Dimming	Options
Default	TRI-XXXXXXX	5000K	ND	Motion Sensor
EG. TRI-8KLM60-5K-ND-XX		4000K	DIM 0-10V	Emergency

Emergency and Dimming

Remote



Factory LED Lights Inc.

Head Office: 276 Sunset Point, Cochrane AB T4C0K9
 www.factoryleds.com vic@factoryleds.com

(587)-333-1832 Canada
 (214)-396-2232 USA

