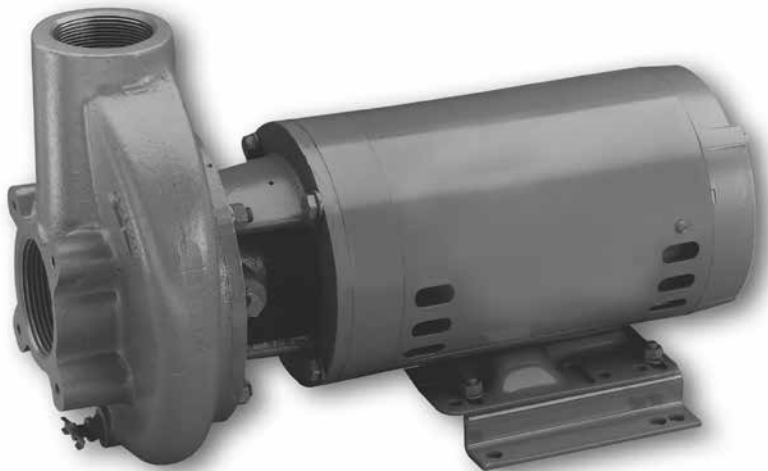


STA-RITE® CC Series

Straight centrifugal pumps



Optional Flange and Trap Packages Available

The CC Series Pumps are compact and lightweight, but rugged. Choose from 3 or 5 HP high head and medium head models. For lower pressures and maximum capacity, medium head models offer heads to 75 feet and capacities to 220 GPM. Where higher pressures are desired, the high head model offers heads to 102 feet and capacities to 260 GPM.

APPLICATIONS

Water Systems
Sprinkling for homes, farms and industry

See page 133 for flange and trap packages.

SPECIFICATIONS

Body: Close-grained cast iron
Base: Heavy-gauge steel
Impeller: Silicon brass (non-leaded)
Rugged Motors: 3 to 5 HP, 3450 RPM, open drip-proof, continuous-duty rated. 40°C ambient maximum, NEMA series, JM construction.

Shaft: Carbon steel inside a 300 Series stainless steel sealed removable shaft sleeve.

Bearings: Permanently sealed ball type, pre-lubricated.

Thermal Overload Protection: Single-phase motors: automatic reset; Three-phase motors: external thermal protection required.

Max. Liquid Temperature: 125°F

Ambient Air Temperature: 104°F

Max. Pressure: 75 PSI

FEATURES

Compact and Lightweight: Can be installed where most other 3 and 5 HP pumps will not fit...requires just 11-3/8" x 18-1/2". Complete pumps weigh only 66 to 94 lbs.

4-Position Discharge: Permits installation with discharge horizontal or vertical, to right or left. Volute features drain port which is functional when discharge is vertical.

Silicon Brass Impeller and Wear Ring: Silicon brass impeller is precision cast and machined. Dynamically balanced for long seal life and quiet operation. Non-overloading. Contains no lead. Silicon brass wear ring is replaceable.

Easy Service: Back pull-out design: entire motor may be removed for servicing impeller, seal or motor without disturbing plumbing. Centerline discharge for ease of installation.

Shaft Seal: Mechanical, ceramic and carbon seal faces. Stainless steel spring and Buna-N bellows.

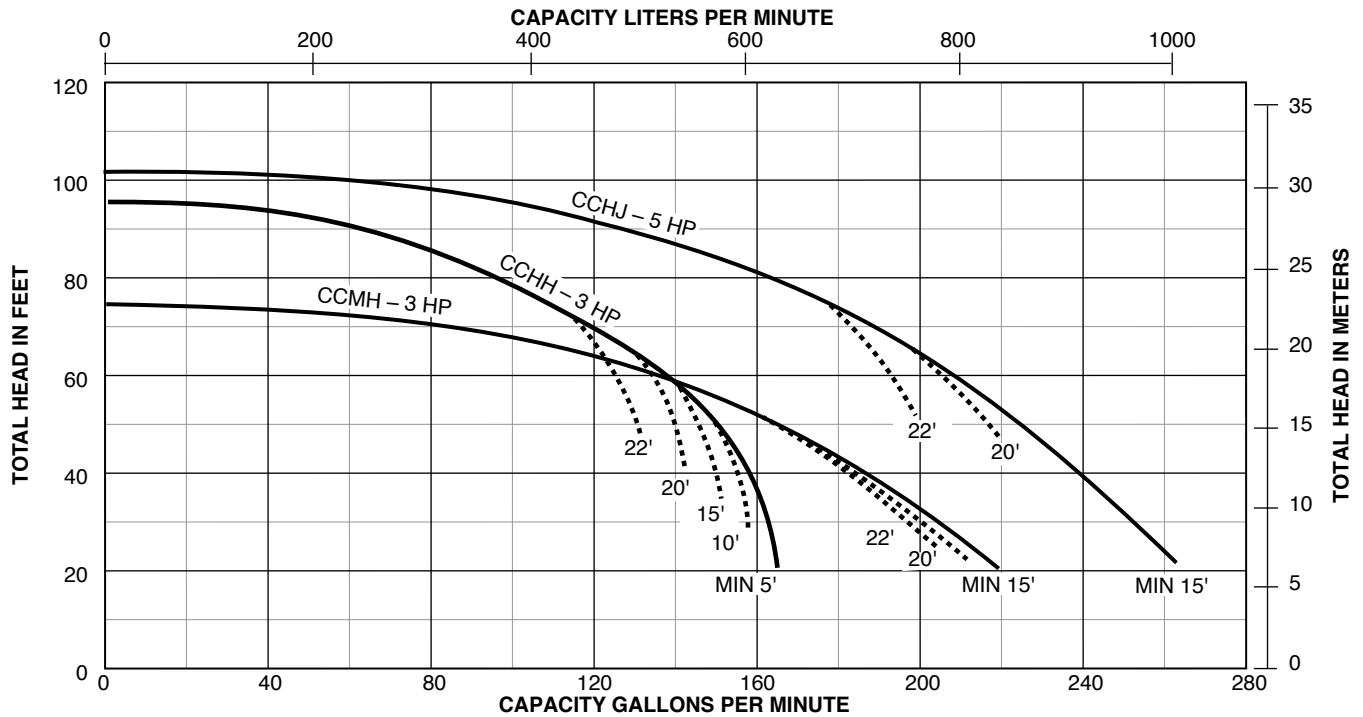
ORDERING INFORMATION

Catalog Number	HP	Pipe Tapping Sizes		Motor Voltage*	Phase	Approx. Wt. Lbs.
		Suction	Discharge			
HIGH HEAD						
CCH2H	3	2-1/2"	2"	200	1	80
CCHH	3	2-1/2"	2"	230	1	80
CCH2H3	3	2-1/2"	2"	200	3	66
CCHH3	3	2-1/2"	2"	230/460	3	66
CCH2J	5	2-1/2"	2"	200	1	94
CCHJ	5	2-1/2"	2"	230	1	94
CCH2J3	5	2-1/2"	2"	200	3	80
CCHJ3	5	2-1/2"	2"	230/460	3	80
MEDIUM HEAD						
CCM2H	3	2-1/2"	2"	200	1	80
CCMH	3	2-1/2"	2"	230	1	80
CCM2H3	3	2-1/2"	2"	200	3	66
CCMH3	3	2-1/2"	2"	230/460	3	66

STA-RITE® CC Series

Straight centrifugal pumps

PUMP PERFORMANCE



NOTE: Dotted lines indicate performance reduction at high suction lift.

PUMP PERFORMANCE (Capacity in gallons per minute)

Cat. No.	HP	HIGH HEAD						
		Discharge Pressure		Dynamic Suction Lift				
		PSI	Feet Head	5'	10'	15'	20'	22'
CCHH	3	20	46.2	148	142	134	125	120
		30	69.3	110	98	85	60	57
		40	92.4	-	-	-	-	-
CCHJ	5	20	46.2	222	214	205	196	190
		30	69.3	180	166	152	125	120
		40	92.4	90	-	-	-	-
MEDIUM HEAD								
CCMH	3	20	46.2	165	148	133	112	100
		30	69.3	-	-	-	-	-
		40	92.4	-	-	-	-	-

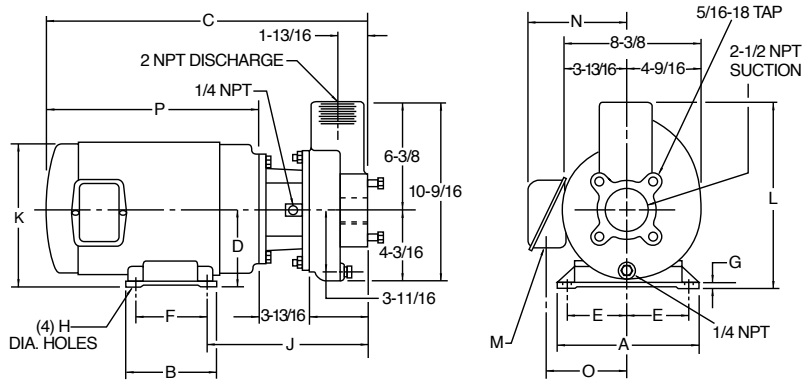
Tested and rated in accordance with Water Systems Council Standards.

NOTE: Pumps installed with a Pro-Source® tank require a 100 PSI relief valve. Pumps installed with a conventional tank require a 75 PSI relief valve. Relief valve must be capable of relieving entire flow of pump at relief pressure.

STA-RITE® CC Series

Straight centrifugal pumps

OUTLINE DIMENSIONS



Dimensions (in inches) are for estimating purposes only.

DIMENSIONAL DATA

Catalog Number	A	B	C*	D	E	F	G*	H*	J	K	L	M*	N*	O*	P*
CCHH CCMH	9	6-1/2	21-1/2	4-1/2	3-3/4	4-1/2	7/16	7/16	10-5/16	9-23/32	10-7/8	3/4	8-1/8	6-1/2	14-1/8
CCHH3 CCMH3	7	6	18-13/32	3-1/2	2-3/4	5	9/32	11/32	9-9/32	7-7/32	9-7/8	3/4	6-29/32	5-13/32	11
CCHJ CCHJ3	9	7-1/2	22-1/2	4-1/2	3-3/4	5-1/2	7/16	7/16	10-5/16	9-23/32	10-7/8	3/4	9	6-15/16	15-1/8

*Dimensions may vary with motor supplier.



US: 293 WRIGHT STREET, DELAVAN, WI 53115 WWW.STA-RITE.COM PH: 888-782-7483 ORDERS FAX: 800-426-9446
CANADA: 490 PINEBUSH ROAD, UNIT 4, CAMBRIDGE, ONTARIO N1T 0A5 PH: 800-363-7867 ORDERS FAX: 888-606-5484
Because we are continuously improving our products and services, Pentair reserves the right to change specifications without prior notice.