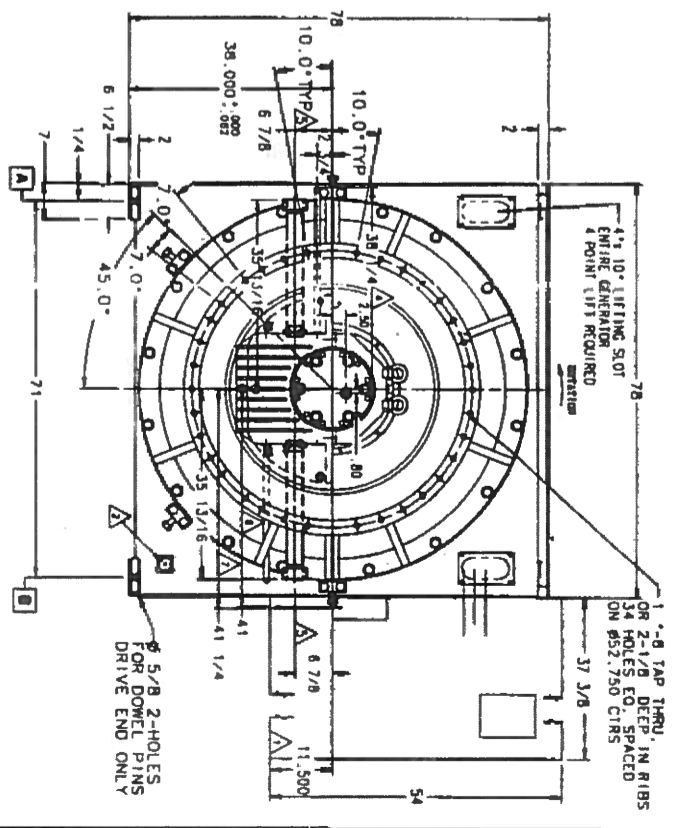
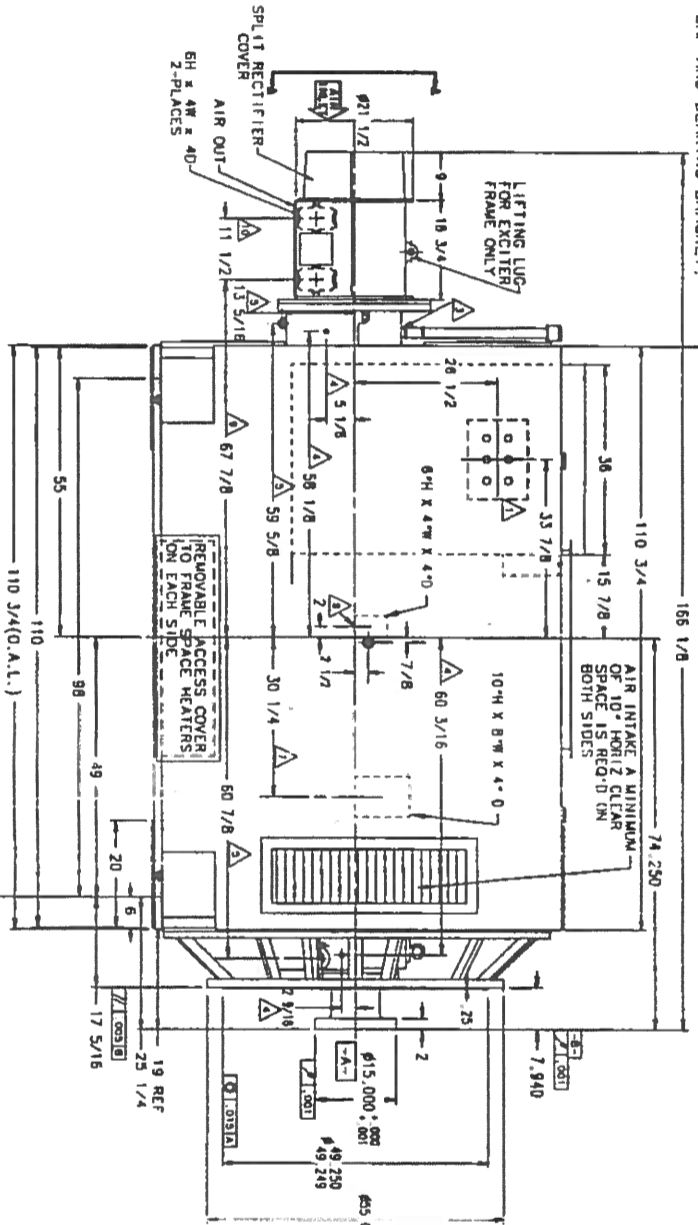
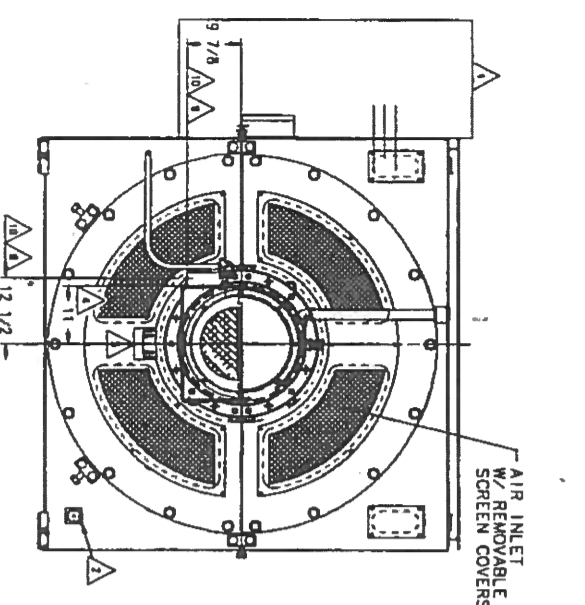
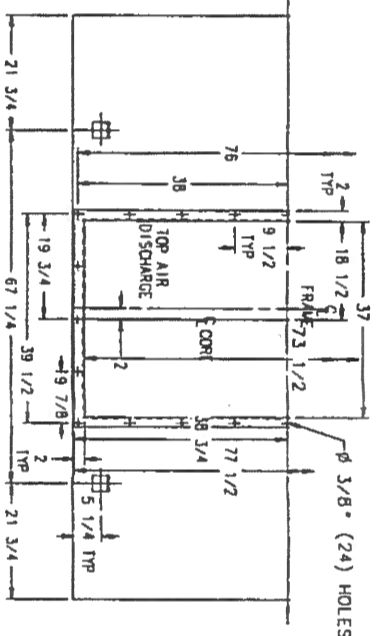
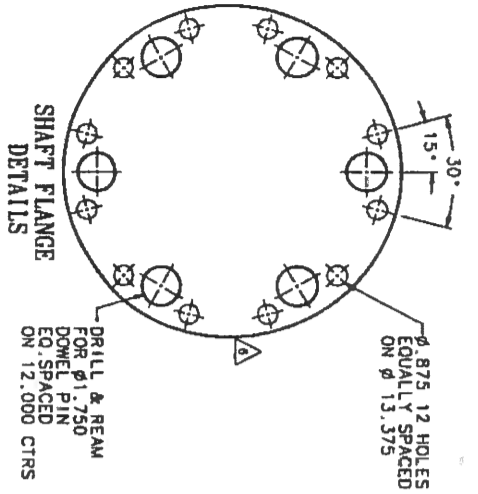


REV	EN	ZONE	DESCRIPTION	APPROV. BY	DATE	ISSUE
0						



TYPICAL FOOT DETAIL

ESTIMATED WEIGHTS:  
 STATOR 39960 LBS.  
 ROTOR 16250 LBS.  
 TOTAL 56210 LBS.

LOAD TYPE	PAID	STATOR	ROTOR	TOTAL
STATIC LOAD	25315	39960	16250	81525
FULL TORQUE LOAD	29115	41178	17581	87874
SHORT CIRCUIT TORQUE LOAD		8270		8270
SHAFT TORQUE LOAD		30440		30440

- CONDUIT BOX FOR STATOR FIELD LEADS. SEE INCOMING LINE CABLE DRAWING 14CSB-1771.
- TWO GROUNDED PADS LOCATED DIAGONALLY OPPOSITE. ARE PROVIDED WITH ONE 5/16-18 TAP & 3/4" DEEP WINDING HOLE EACH.
- THIS BEARING IS ELECTRICALLY INSULATED FROM GROUND AT THE BEARING HOUSING. NO CUSTOMER CONNECTION SHOULD BE MADE TO THE INTERNAL SHELL IN ORDER TO PRESERVE THE INTEGRITY OF THE INSULATION.
- OIL INJECT SUPPLY CONNECTIONS: DRIVE END BEARING IS 3/4" FEMALE NPT; GPP DRIVE END BEARING IS 1/2" MALE NPT.
- OIL RETURN LINE CONNECTIONS: GPP DRIVE END BEARING IS 1/2" MALE NPT; GPP DRIVE END BEARING IS 1/2" MALE NPT.
- SHAFT MACHINED TO FIT ALLEN GEAR. EPICYCLIC GEAR DRG AL 866897 REV 1.
- ONE HOLE FOR 1" CONDUIT FOR STATOR TEMPERATURE DETECTOR & BEARING TEMPERATURE DETECTOR LEADS.
- ONE HOLE FOR 1" CONDUIT FOR GENERATOR SPACE HEATER LEADS.
- ONE HOLE FOR 1" CONDUIT FOR PERMANENT MAGNETIC ATTERMINATOR LEADS.
- ONE HOLE FOR 1" CONDUIT FOR EXCITER FIELD LEADS.

BEARING OIL REQUIREMENTS  
 DRIVE END: S/N 991083-01  
 TYPE S&B HORIZONTAL BRUSHLESS SYNCHRONOUS GENERATORS RATED: 12,500 KW, 10,000 RPM, 6 P, 1800 RESISTANCE ABOVE 440° AMBIENT, CONNECTED, 8 LEADS, 90° C RISE BT RESISTANCE ABOVE 440° AMBIENT, CONTINUOUS DOWEL PIN INSULATION, 360° ROTATION, 1/2" CLASS SEQUENCE 1, 2, 3 FOR CLOCKWISE ROTATION (FACING OPPOSITE DRIVE END).  
 BEARING OIL REQUIREMENTS  
 DRIVE END: VISCOSITY (150 WGT) 150 S.U.S. @ 100°F  
 FILTH TOLERANCE 30 P.P.M.  
 FLOW 10 G.P.M.  
 MAX. OIL TEMP. 140°F  
 LOSSES 8430 BTU/HR  
 BEARING OIL REQUIREMENTS  
 DRIVE END: VISCOSITY (150 WGT) 150 S.U.S. @ 100°F  
 FILTH TOLERANCE 30 P.P.M.  
 FLOW 10 G.P.M.  
 MAX. OIL TEMP. 140°F  
 LOSSES 19789 BTU/HR

VERTICAL THERMAL GROWTH: 2.9 MILLS

IDEAL ELECTRIC CO.  
 5065A0-A62

OUTLINE PAINT PER ENG ?  
 PRODUCT STRUCT 0655A0A62-19  
 RENEW EXPLK 22-250 / 8 SLEEVE BEARING

REV	EN	ZONE	DESCRIPTION	APPROV. BY	DATE	ISSUE
0						

