

A Smart Transportation System for Detecting Alcohol Levels and Heart Attacks during the Journey

N. Sivannarayana¹, Bolla. RajeswariKalyani², Bellam. Pavani³, Gollapudi. Venkata Avinash⁴, Gudluri. Anusha⁵

¹Assistant. Professor, Dept of CSE, Tirumala Engineering College, Narasaropet, Guntur, A.P., India

^{2,3,4,5}B. Tech Students, Dept of CSE, Tirumala Engineering College, Narasaropet, Guntur, A.P., India

Abstract- Car crashes are one of the main sources of fatalities. Mishap because of lazy is forestalled and controlled when the vehicle is wild. And furthermore the intoxicated driver likewise forestalled by introducing liquor finder in the vehicle. The term utilized here for the acknowledgment that the driver is sleepy is by utilizing eye flicker of the driver. Lately sluggishness is one of the significant reasons for thruway mishaps. These kinds of mishaps happened because of languid and driver cant ready to control the vehicle, when he/she wakes. The tiredness is distinguished by the eye flicker conclusion and squinting recurrence through infra-red sensor worn by driver by methods for scenes outline. The liquor utilization is additionally confirmed during the beginning procedure of the vehicle utilizing liquor identifier. In the event that the driver is flushed, at that point the bell shows and the vehicle doesn't permit the driver to begin the vehicle. Wellbeing parameters {heart rate, blood glucose level, body temperature} are additionally persistently observed. At the point when an oddity is found in the above parameters, the vehicle neglects to begin and gives an admonition sign. Right now, portray a continuous online wellbeing model that controls the vehicle speed under driver weariness. The motivation behind such a model is to propel a framework to distinguish exhaustion side effects in drivers and control the speed of vehicle to keep away from mishaps. The principle parts of the framework comprise of number of constant sensors like gas, eye flicker, liquor, fuel, sway sensors and a product interface with GPS and Google Maps APIs for area.

Keywords- Accidents, alcohol, drowsiness, heart -beat, infra-red sensor, GPS, software interface

I. INTRODUCTION

Vehicle mishaps are generally normal if the driving is insufficient. These occur on most factors if the driver is sluggish or on the off chance that he is alcoholic or on the off chance that he is truly sick. Driver laziness is perceived as a significant factor in the vehicle mishaps. It was shown that driving execution falls apart with expanded sluggishness with coming about accidents establishing over 20% of all vehicle mishaps. At the point when a car collision happens out of nowhere, the response of the crisis benefits currently turns into a race among life and passing. Be that as it may, the existence lost once can't be re-winded. Cutting edge

innovation offers some expectation maintain a strategic distance from these up somewhat. This task includes measure and controls the eye squint utilizing IR sensor.

The IR transmitter is utilized to transmit the infrared beams in our eye. The IR recipient is utilized to get the reflected infrared beams of eye. On the off chance that the eye is shut methods the yield of IR beneficiary is high in any case the IR recipient yield is low. This task includes controlling mishap because of oblivious through Eye squint and because of inebriated drive through liquor sensor.

By watching the graph beneath we can reason that there are three prevailing reasons for street mishaps street mishaps Negligence, Overtaking, Use of alcohols are identified with driver. The fundamental purpose behind driving alcoholic is that the police are not ready to check every single vehicle and regardless of whether they get any one the police can be effectively influenced. So there is a requirement for a powerful framework to check smashed drivers.

II. RELATED WORKS

Driving while either inebriated or alcoholic is perilous and drivers with high blood liquor substance or fixation (BAC) are at incredibly expanded danger of auto collisions, interstate wounds and vehicular passings. Each and every damage and passing brought about by alcoholic driving is absolutely preventable. At present tanked drivers have expanded tremendously as is the passings because of intoxicated drivers. The mail purpose behind driving alcoholic is that the police are not ready to check every single vehicle and regardless of whether they get any one the police can be effectively influenced. So there is a requirement for a compelling framework to check plastered drivers.

Every year, vehicle aficionados salivate at the possibility of seeing what forefront plans automakers will uncover on the vehicle show circuit lovers are regularly frustrated when the astounding ideas despite everything haven't made it to the car vendor's showroom floor quite a while later. In any case, before any new vehicle model can ever go on special to people in general, it should initially experience a battery of testing to make. Those equivalent sure it'll be protected, dependable and sensibly on top of the requests of the motoring open. The

administration requests a portion of this testing, while other significant parts of it are contrived by the vehicle organizations themselves with an end goal to guarantee they satisfy explicit guidelines for execution, efficiency, comfort and different measures, yet those which don't are cut out.

III. PROPOSED SYSTEM

Astute frameworks are in utilized with each part of frameworks, CARs are the basic frameworks which are ongoing and lives are included. This System not just arrangements with part checking, does considerably more than that like Passenger action observing, Behavior investigation, System conduct, Notification and co-ordinate. Eye squint Sensor and Alcohol identification are the essential and vital from the point of view of traveler wellbeing and traffic security. Effect recognition and warning is additionally one of the lifesaving and basic data supplier framework.

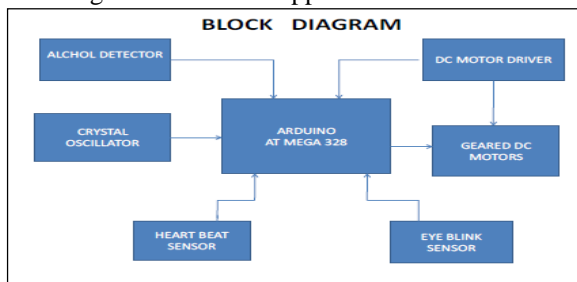


Fig.1: Block Diagram

A. ABS (Anti-Locking Braking System)

ABS works with your normal stopping mechanism via consequently siphoning them. In vehicles not outfitted with ABS, the driver needs to physically siphon the brakes to forestall wheel lockup. In vehicles outfitted with ABS, your foot ought to remain solidly planted on the brake pedal, while ABS siphons the brakes for you so you can focus on guiding to security.

B. EBD (Electronic brake-power dispersion)

Electronic brake-power dispersion (EBD or EBFD), Electronic brake-power constraint (EBL) is a car brake innovation that consequently differs the measure of power applied to every one of a vehicle's brakes, in light of street conditions, speed, stacking, and so on constantly combined with electronically monitored slowing mechanisms.

C. SRS Air Bags (Supplemental Restraint System Air Bags)

An airbag is a vehicle wellbeing gadget. It is an inhabitant limitation comprising of an adaptable envelope intended to swell quickly during a car accident, to keep tenants from striking inside items, for example, the guiding wheel or a window, the sensors may send at least one airbags in an effect zone at variable rates dependent on the sort and seriousness of

effect; the airbag is intended to just expand in moderate to extreme frontal accidents.

D. Immobilizer

An immobilizer is an electronic gadget fitted to a vehicle which keeps the motor from running except if the right key (or other token) is available. This keeps the vehicle from being "hot-wired" after passage has been accomplished.

E. Parking sensors

Leaving sensors are nearness sensors for street vehicles which can alarm the driver to concealed snags during leaving man oeuvres. Stopping sensors for the most part fall into two classes.

- i) Electromagnetic stopping sensors
- ii) Ultrasonic stopping sensors

F. Cruise Control

Voyage control (some of the time known as speed control or auto journey) is a framework that naturally controls the speed of an engine vehicle. The framework assumes control over the throttle of the vehicle to keep up a consistent speed as set by the driver.

IV. SCHEMATIC DIAGRAM

Right now show how to make an IOT Based Alcohol Detection System, which we will screen the Alcohol level devoured by an individual and caution the authorities posted in close by places and transfer the data in a Web-server utilizing web. The degree of liquor in that individual can be appeared in LCD show and just as on website page.

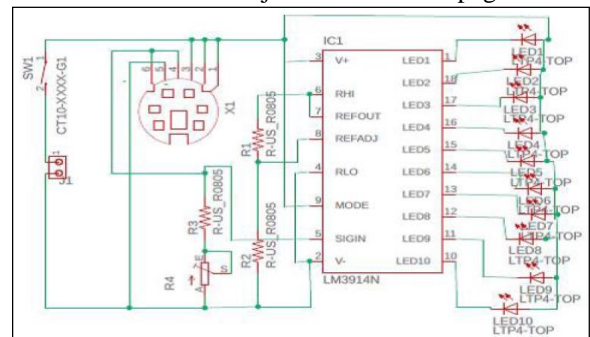


Fig.2: Schematic diagram

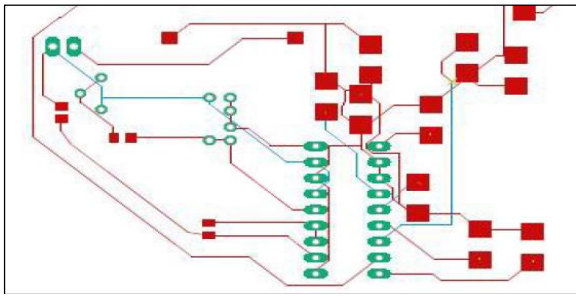


Fig 3: PCB diagram

Pins 2 and 5 of MQ3 are associated with 5V power supply and the ground, separately, as appeared in the circuit. These pins are really the warming curl pins of the sensor. The info pins 1 and 3. of the sensor are likewise associated with 5V. Pins 4 and 6 are associated with input pin 5 of LM3914 (IC1). The number of gleaming LEDs demonstrates the fixation level of liquor identified by the sensor. Resistor R1 and preset VR1 are utilized to align the yield voltage from the sensor. At the point when an alcoholic inhales out close sensor1, the liquor fumes interact with MQ3 sensor and its obstruction changes. This raises signal level at pin 5 of IC1 a bigger number of LEDs begin gleaming than the two that were shining previously.

An Arduino board comprises of an Atmel 8-piece AVR microcontroller with corresponding parts to encourage programming and fuse into different circuits. A significant part of the Arduino is the standard way that connectors are uncovered, permitting the CPU board to be associated with an assortment of exchangeable extra modules known as shields. A few shields speak with the Arduino board straightforwardly over different pins, however numerous shields are exclusively addressable by means of an I²C sequential transport, permitting numerous shields to be stacked and utilized in equal. Official Arduinos have utilized the megaAVR arrangement of chips, explicitly the ATmega8, ATmega168, ATmega328, ATmega1280, and ATmega2560. A bunch of different processors have been utilized by Arduino compatibles. Most sheets incorporate a 5 volt straight controller and a 16 MHz precious stone oscillator (or artistic resonator in certain variations), albeit a few structures, for example, the Lily Pad run at 8 MHz and get rid of the locally available voltage controller because of explicit structure factor limitations. An Arduino's microcontroller is additionally pre-customized with a boot loader that rearranges transferring of projects to the on-chip streak memory, contrasted and different gadgets that regularly need an outside software engineer. This makes utilizing an Arduino progressively clear by permitting the utilization of a standard PC as the developer.

At an applied level, when utilizing the Arduino programming stack, all sheets are modified over a RS-232 sequential association, yet the manner in which this is executed changes

by equipment rendition. Sequential Arduino sheets contain a level shifter circuit to change over between RS-232-level and TTL-level signs. Current Arduino sheets are modified by means of USB, actualized utilizing USB-to-sequential connector chips, for example, the FTDI FT232. A few variations, for example, the Arduino Mini and the informal Boarduino, utilize a separable USB-to-sequential connector board or link, Bluetooth or different techniques. (At the point when utilized with conventional microcontroller apparatuses rather than the Arduino IDE, standard AVR ISP writing computer programs is utilized.)

The Arduino board uncovered the vast majority of the microcontroller's I/O pins for use by different circuits. The Diecimila, Duemilanove, and current Uno give 14 advanced I/O pins, six of which can deliver beat width adjusted signs, and six simple sources of info. These pins are on the highest point of the board, by means of female 0.10-inch (2.5 mm) headers. A few module application shields are likewise monetarily accessible.

V. RESULTS

Switch on the circuit and confirm the test focuses referenced in the table. Prior to utilizing the circuit, change VR1 until LED1 and LED2 shine when the sensor is in ordinary condition. Presently open the plug of a liquor bottle and bring it close sensor1. You will see that LED3, LED4 and LED5 likewise begin gleaming. As you bring the liquor container's open mouth near sensor1, all the LEDs (LED1 through LED10) will begin shining.

VI. CONCLUSION

It is because of the driver's weakness, auto collisions keep with a yearly expanding of a high rate. This paper shows the new exhaustion location calculations and systems utilizing eye squint, liquor, sway, gas, and so forth sensors. Right now exhaustion will be identified promptly and standard snares the occasions driver and outsider. Through research displayed right now, propose an astute vehicle framework for mishap anticipation and improving the world a much and safe spot to live.

VII. REFERENCES

- [1]. S. P. Bhumkhar, V.V. Deotare, R. V. Babar, "Intelligent Car System for Accident Prevention using ARM-7", International Journal of Emerging Technologies and Advanced Engineering, Volume 2, Issue 4, April 2012.
- [2]. B. Praveen Kumar, K. Mahendran, "Prevention of Accident due to Drowsy by using Eye blink, International Journal of Innovative Research in Science, Engineering and Technology. Volume 3, Issue 5, May 2014.
- [3]. Sales K. Jose, X. Anitha Mary, Namitha Mathew, "ARM-7 Based Accident Alert and Vehicle Tracking System,

International Journal of Innovative Technology and Exploring Engineering (IJITEE), Volume 2, Issue 4, March 2013.

- [4]. S. P. Bhunkhar, V.V. Deotare, R. V. Babar, "Accident Avoidance and Detection on Highways", International Journal of Engineering Trends and Technology, Volume 3, Issue 2, 2012.
- [5]. Visa M. Ibrahim, Asogwa A. Victor, "Microcontroller Based Anti-theft Security System Using GSM Networks with Text Message as Feedback", International Journal of Engineering and Research and Development, Volume 2, Issue 10, August 2012.
- [6]. Zutao Zhang, Jiashu Zhang, "A Novel Vehicle Safety Model: Vehicle speed Controller under Driver Fatigue", "IJCSNS International Journal of Computer Science and Network Security", VOL.9 No.1, January 2009 .
- [7]. Victor Olugbemiga, Emmanuel Adetiba "Vehicle Accident Alert and Locator", International Journal of Electrical and Computer Sciences, Volume 11, Issue 2, 2011.
- [8]. Abid Khan, Ravi Mishra —GPS – GSM Based Tracking System, International Journal of Engineering Trends and Technology, Volume3, Issue2, Pp.: 161-169, 2012 .
- [9]. Qiang Ji, Zhiwei Zhu, and Peilin Lan, Real-Time Nonintrusive Monitoring and Prediction of Driver Fatigue. IEEE Transactions on Vehicular Technology, VOL. 53, NO. 4, July 2004, pp.1052-1068.
- [10]. Qun Hou, "Research and implementation of remote heart rate monitoring system based on GSM and MCU, Uin 2nd Int. Conf. On Information Science and Engineering, Hangzhou, 2010, pp.2293.
- [11]. M. Markarinec, "An accident avoidance system for an autonomous highway vehicle", Ph.D. dissertation, Northwester Univ., 1989.
- [12]. Qian Martin Eriksson, Nikolaos P. Papanikolopoulos, Eye-Tracking for Detection of Driver fatigue. Proceedings of the international Conference on intelligent Transportation System, Boston, MA, November 1997, pp.314-319.