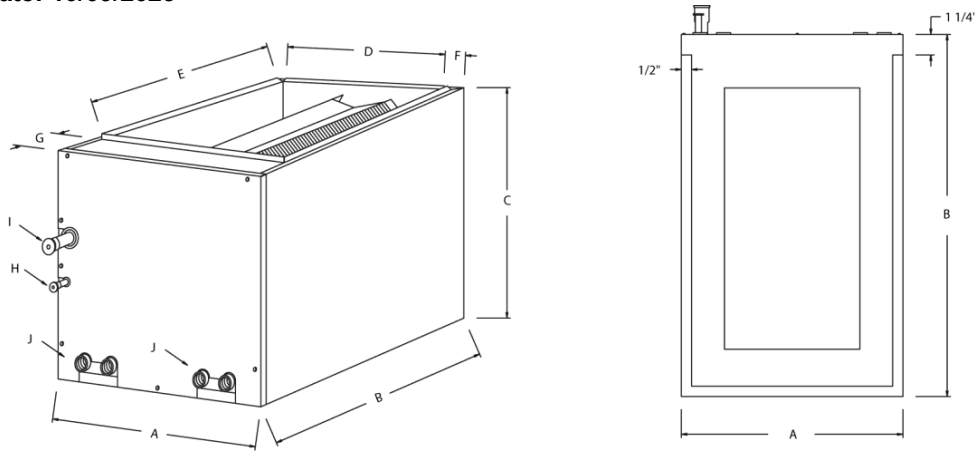


# Sustainable Coils LLC

## Replacement Coil Solutions!

### STOCK REPLACEMENT A-COILS CASED

Revision Date: 10/09/2023



| COIL MODEL | COIL WEIGHT | A      | B      | C  | D      | E      | F   | G     | H   | I   | J   |
|------------|-------------|--------|--------|----|--------|--------|-----|-------|-----|-----|-----|
| 1024A13-C  | 34          | 14 1/2 | 21 1/4 | 14 | 12 3/4 | 18 3/4 | 7/8 | 1 5/8 | 3/8 | 3/4 | 3/4 |
| 1024A16-C  | 36          | 17 1/2 | 21 1/4 | 14 | 15 3/4 | 18 3/4 | 7/8 | 1 5/8 | 3/8 | 3/4 | 3/4 |
| 1036A13-C  | 41          | 14 1/2 | 21 1/4 | 16 | 12 3/4 | 18 3/4 | 7/8 | 1 5/8 | 3/8 | 3/4 | 3/4 |
| 1036A16-C  | 44          | 17 1/2 | 21 1/4 | 16 | 15 3/4 | 18 3/4 | 7/8 | 1 5/8 | 3/8 | 3/4 | 3/4 |
| 1036A20-C  | 52          | 21     | 21 1/4 | 18 | 19 1/4 | 18 3/4 | 7/8 | 1 5/8 | 3/8 | 3/4 | 3/4 |
| 1048A16-C  | 53          | 17 1/2 | 21 1/4 | 20 | 15 3/4 | 18 3/4 | 7/8 | 1 5/8 | 3/8 | 7/8 | 3/4 |
| 1048A20-C  | 57          | 21     | 21 1/4 | 20 | 19 1/4 | 18 3/4 | 7/8 | 1 5/8 | 3/8 | 7/8 | 3/4 |
| 1048A23-C  | 60          | 24 1/2 | 21 1/4 | 20 | 22 3/4 | 18 3/4 | 7/8 | 1 5/8 | 3/8 | 7/8 | 3/4 |
| 1060A20-C  | 66          | 21     | 21 1/4 | 24 | 19 1/4 | 18 3/4 | 7/8 | 1 5/8 | 3/8 | 7/8 | 3/4 |
| 1060A23-C  | 69          | 24 1/2 | 21 1/4 | 24 | 22 3/4 | 18 3/4 | 7/8 | 1 5/8 | 3/8 | 7/8 | 3/4 |

3/8" O.D., CU-122 60 helical copper tube, .016 back wall  
 2,500 PSI burst pressure minimum  
 Aluminum end plates to protect against rust corrosion  
 Aluminum fins spaced at 14 FPI for proper air flow in replacement applications  
 Piston metered for R-410A refrigerant, additional R-22 piston optional  
 R-22 and R-410A expansion valve kits (loose or installed) available upon request  
 Plastic drain pans; nylon resin is 5VFR rated and U.V. safe  
 22 ga. G-90 galvanized cabinets with 1/2" foil backed insulation in popular sizes  
 Heal punched access door for removal without disconnecting line sets or drains  
 Pre-swaged refrigerant connections, shipped with dry nitrogen holding charge  
 Expanded IRV: 1024A=98.26, 1036A=137.56, 1048A=176.87, 1060A=216.17  
 Five year replacement warranty

Visit our website [www.SustainableCoils.com](http://www.SustainableCoils.com) for further information regarding our complete product line.

Telephone: (903) 881-6006

Fax: (903) 881-6008

email: [sales@SustainableCoils.com](mailto:sales@SustainableCoils.com)