

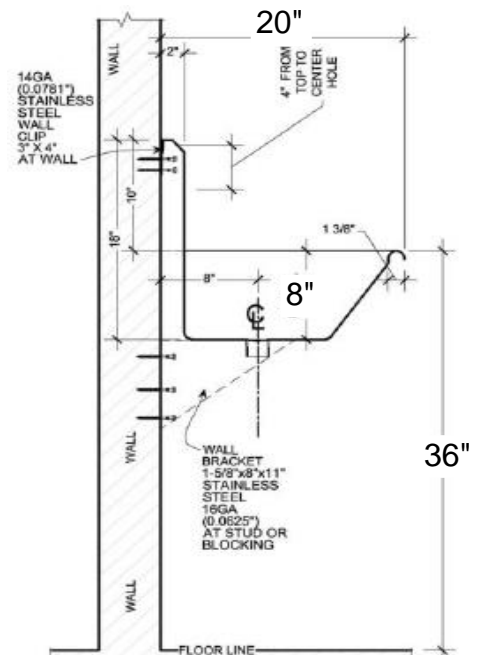
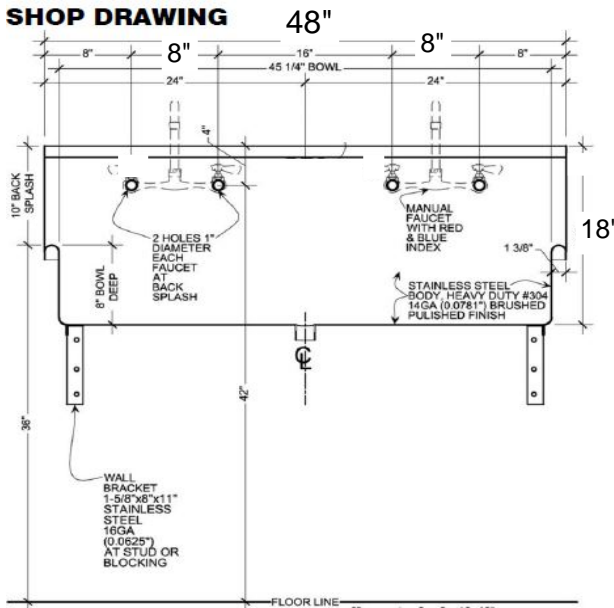
Wicketts Stainless

SPECIFICATION

Commercial Sink Heavy Duty
Wash Up Sink



SHOP DRAWING



Model Number	A	B	C	D	F
WWT-4820-8cc-WB	48	20	45	8	10

Engineering Specification:

14 gauge, type 304 stainless steel wash sink. 1 3/8" rolled rims. 1 1/2" welded in drain. Exposed surfaces polished to a satin finish. Supported on (2) wall brackets and clips. ASME A112.19.3

Wicketts Stainless, LLC.
2618 San Miguel Dr. Bldg. # 376
Newport Beach, CA 92660
Tel: 951-858-2548
Fax: 951-638-9059
sales@wickettsstainless.com
www.wickettsstainless.com



Approved for Manufacturing
Company: _____
Signature: _____
Print: _____ Date: / /