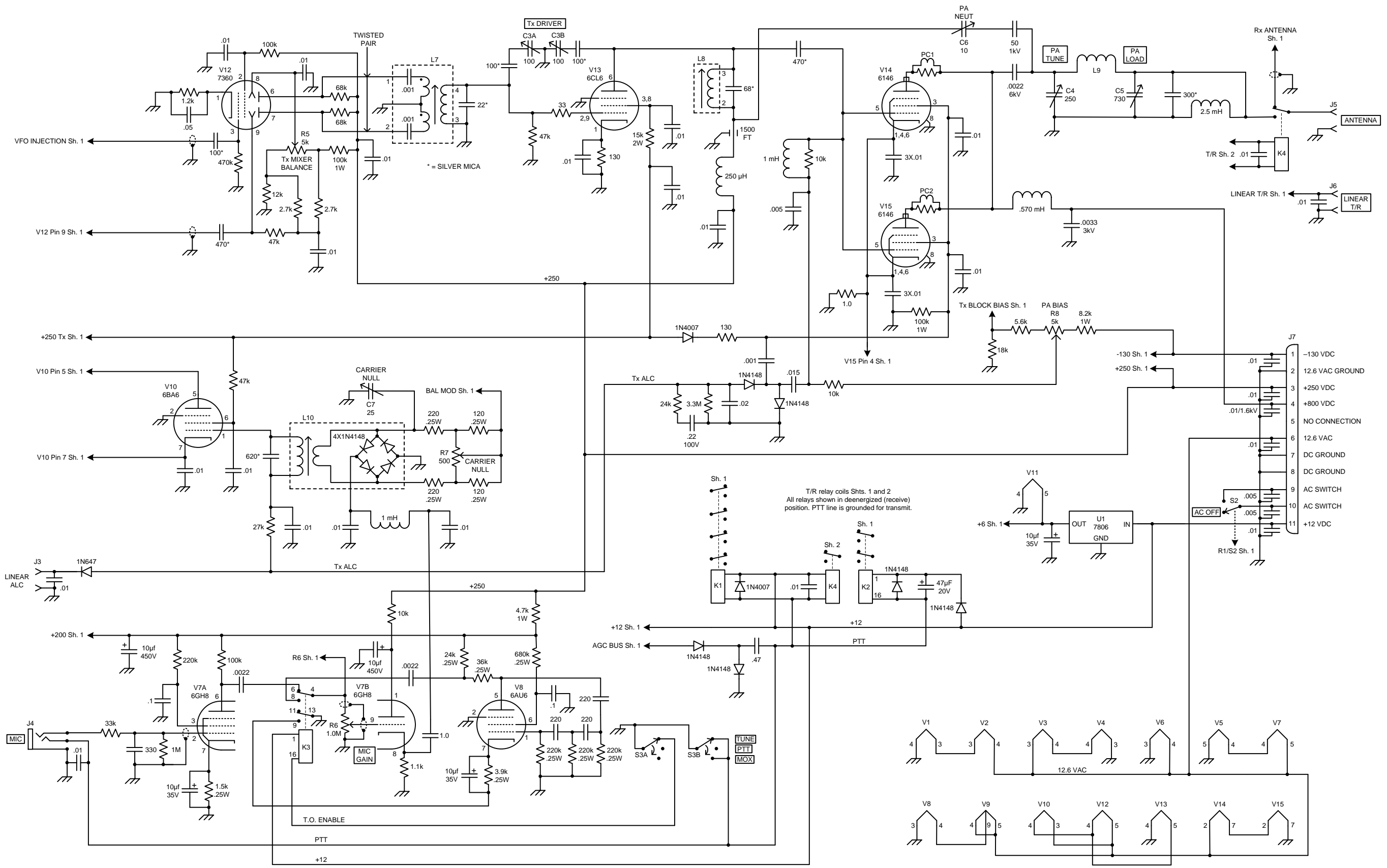
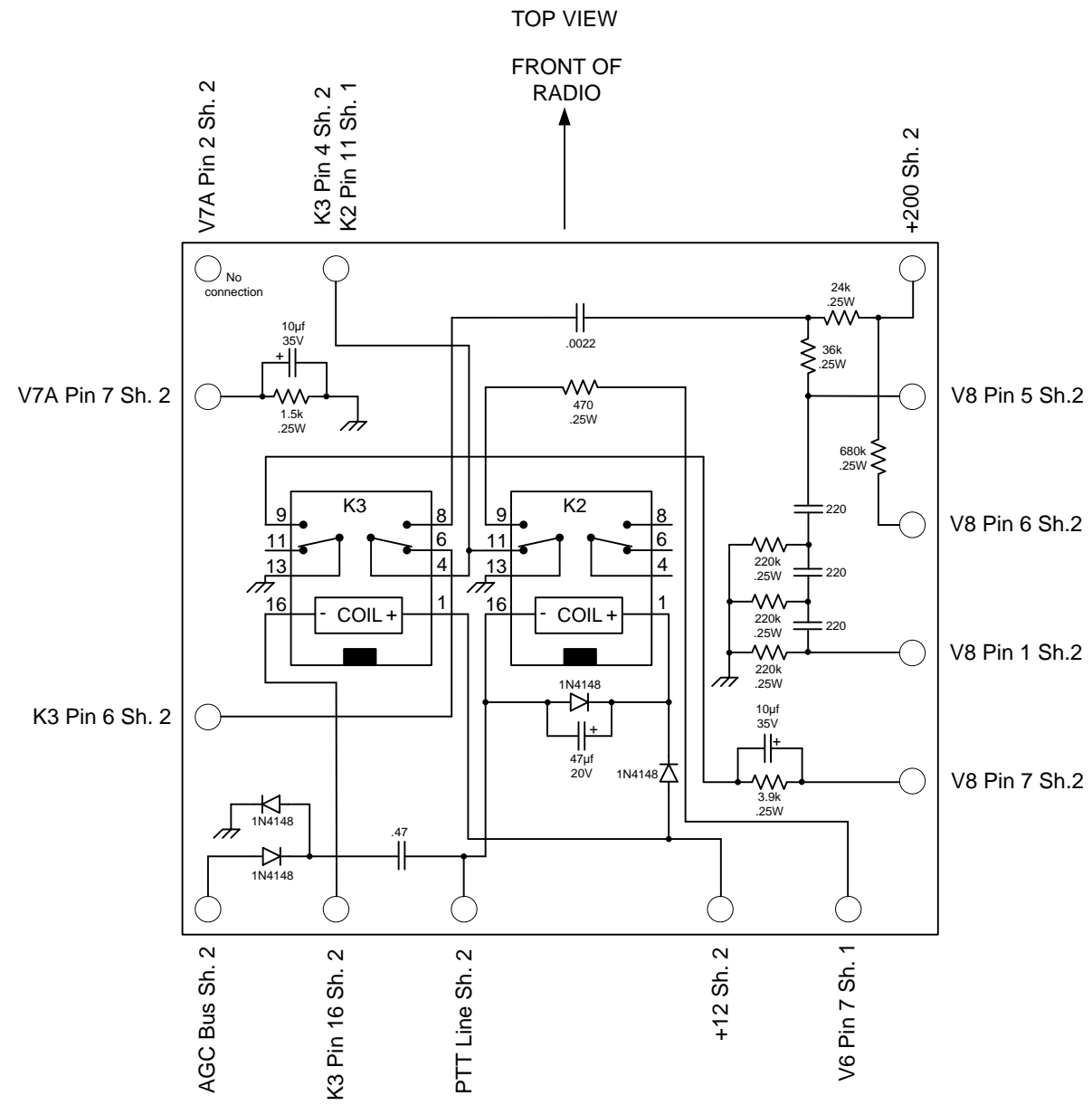


HB-75
75 METER SSB TRANSCEIVER
HOMEBREWED BY KG7TR

SHEET 1
 RECEIVER CIRCUITS
 REVISION 20 DEC 2020





This schematic duplicates those components and connections shown on the main schematics that are located on the relay module.