

ADandD P/N SEPL-5

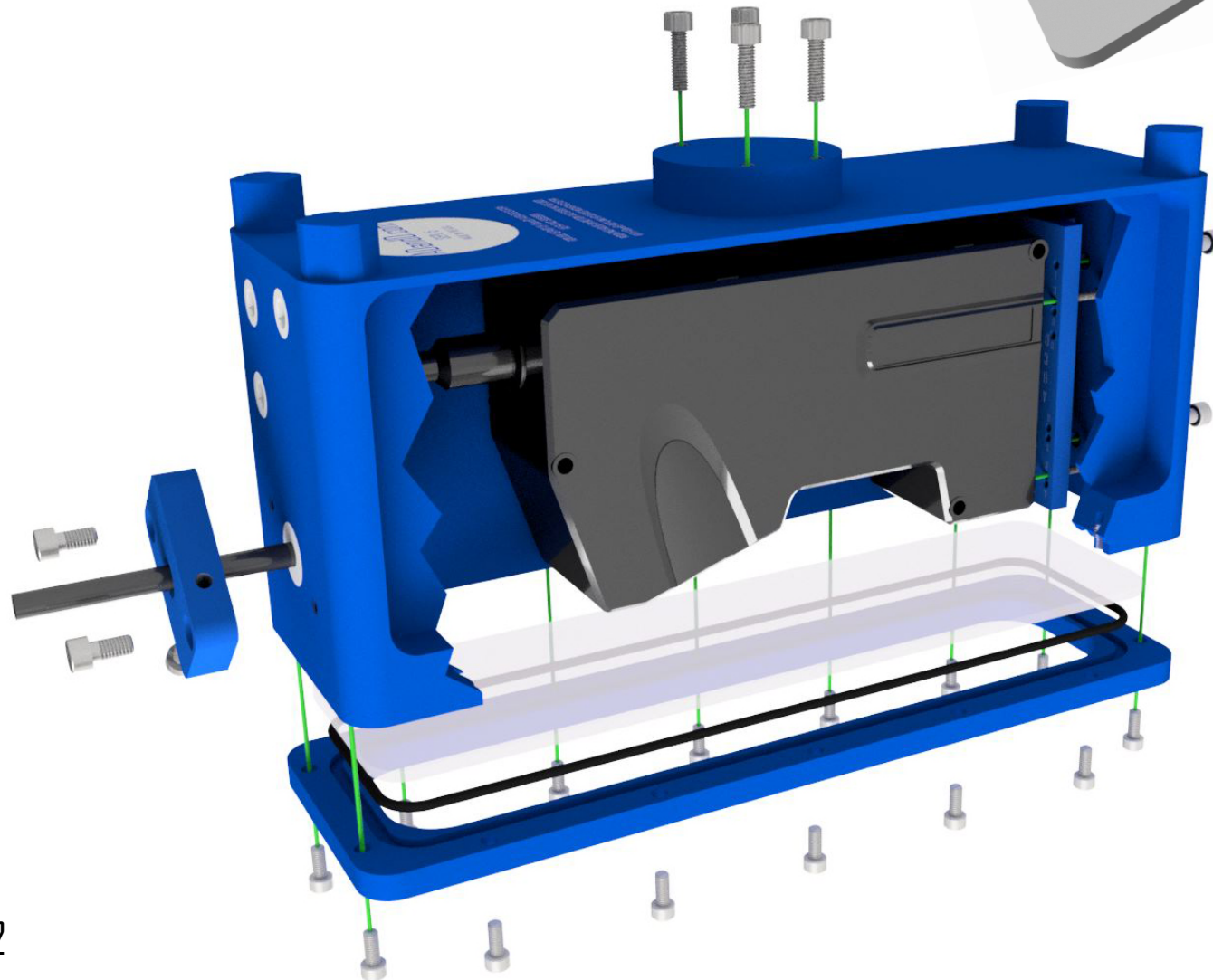
Mounts with included hardware. Assembly instructions provided
Option of lenses: Borax High Temp, Laminated Glass, Lexan Lens.

Mounts the below Keyence products.

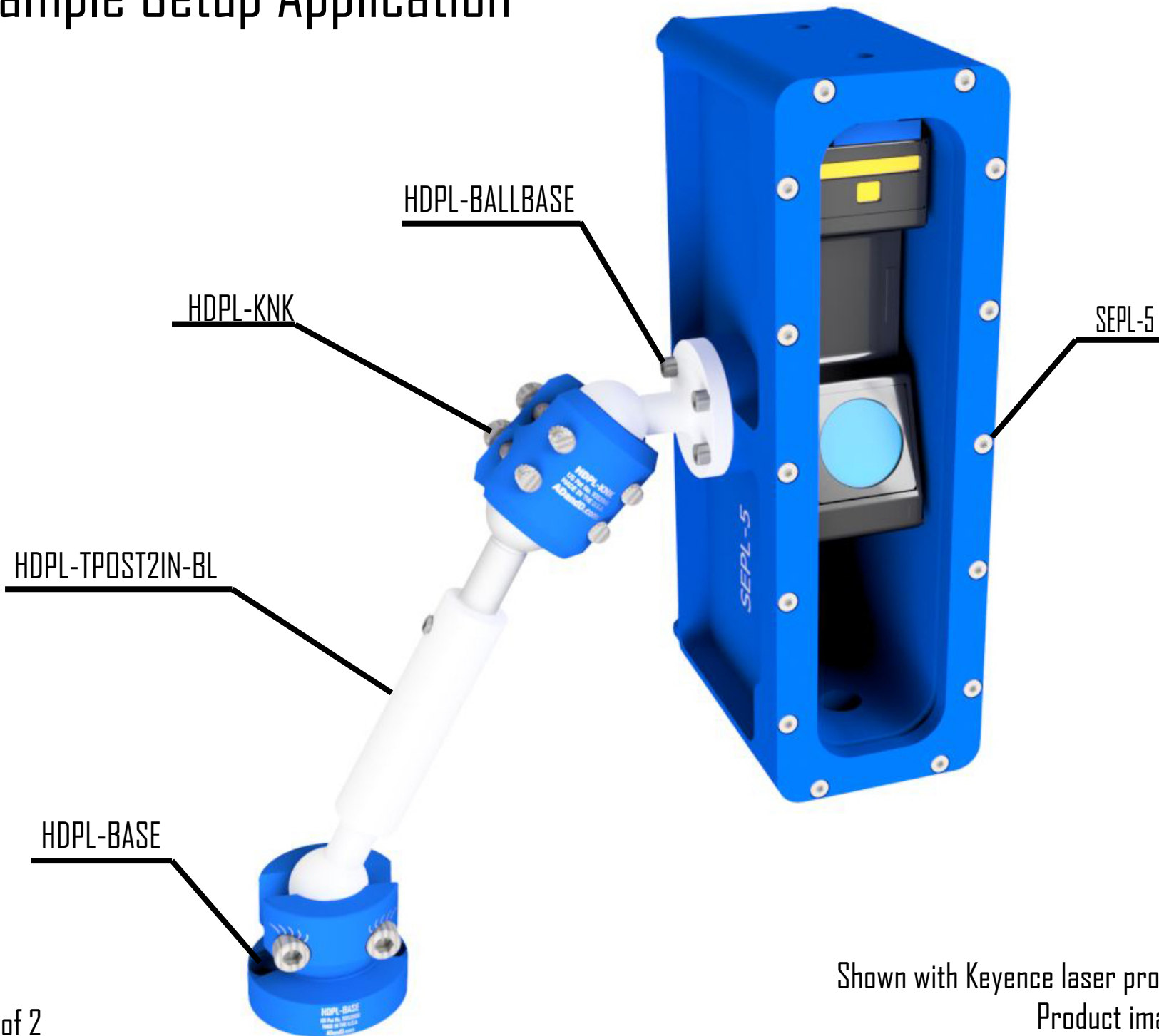
Keyence laser profiler LJ-X8060

Keyence laser profiler LJ-X8080

Keyence laser profiler LJ-X8400



Sample Setup Application



Shown with Keyence laser profiler LJ-X8400
Product images may vary.