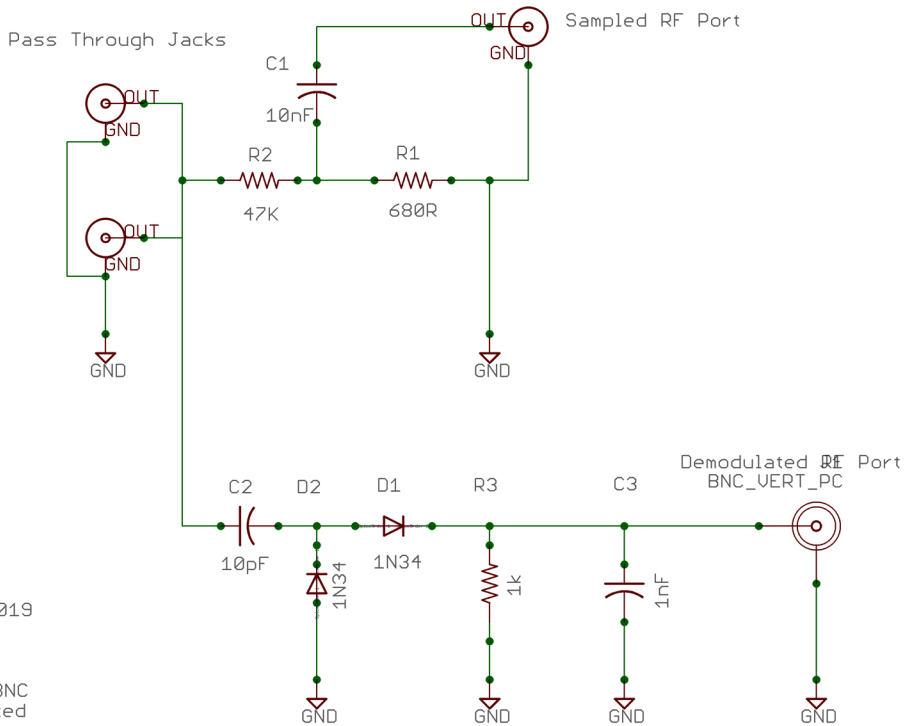


RF Sampler with Sampled & Demodulated RF Outputs



Drawn By: Steve Pocock
Date: June 20th 2019
Version: U4/R19

Revision Notes:
1. Demod port is vertical BNC
2. Part values are formalized
3. General cleanup