

# ORION

ORNAMENTAL IRON, INC.

*Iron Art™* *Wood Art™*  
*by* *by*  
**ORION** **ORION**

## RETAIL PRICE LIST & ORDERING INFORMATION

*Effective April 1, 2014*



# DRAPERY HARDWARE: DESIGN LUXURY, VALUE, BEAUTY.

<b>PRODUCT CATEGORIES AND MATERIALS:</b>	<b>CATALOG PAGE</b>	<b>PRICE LIST PAGE</b>	<b>INFORMATION AND APPLICATIONS:</b>
<b>Contemporary Finials with Rods</b>			
Italian	58	56	Modern styles in Polished Chrome, Brushed Nickel, Black Nickel, Oiled Bronze, Satin Copper, and Satin Gold metallic finishes.
<b>Crystal Finials with Iron Rods</b>			
Bohemia	62	58	Hand crafted faceted crystal-glass on iron.
<b>Crystal Finials with Wood Poles</b>			
Bohemia	64	58	Hand crafted faceted crystal-glass on wood.
<b>Faux Bamboo Finials with Faux Bamboo Rods</b>			
Tropical	26	26	Iron rods, finials, etc. with look of faux bamboo in island paradise finishes.
<b>Glass Finials with Iron/Italian Rods</b>			
Eclectic**	14	10	Sleek, contemporary designs on iron rods.
Provence**	14	10	Hand blown art glass in designer colors.
<b>Iron Finials with Iron Rods</b>			
Iron Art	6	6	More than 100 finials of all styles and sizes.
Village Forge	13	9	Hand forged iron finials.
<b>Rattan Finials with Iron Rods</b>			
Eclectic**	14	10	Natural, summer look all year round.
<b>Resin Finials with Wood Poles</b>			
KBlair*			Elegant, custom hand-painted to order.
Rosina	68	62	Finials for wood poles: 1 <sup>3</sup> / <sub>8</sub> ", 2", 2 <sup>1</sup> / <sub>4</sub> " & 3" diameters.
<b>Wood Finials with Wood Poles</b>			
New York Wood	70	63	Transitional style finials for any decor.
Wood Craft**	66	59	Exotic hand carved finials, swag holders, etc.
<b>WINDOW TREATMENT PRODUCTS:</b>		<b>SPECIAL APPLICATIONS:</b>	
<b>Cornices</b>			
Renaissance	31	29	Cornice designs in lightweight aluminum.
Tuscany	32	30	Decorative iron cornices.
<b>Crowns and Scrolls</b>			
Mediterranean - Crowns	30	28	Decorative accents for arched or irregular shaped windows, over doors, beds, or artwork, or with scarves or swags.
Vienna - Iron Scrolls	30	29	
<b>Roman Shades on Drapery Hardware</b>			
Milano**	21	24	Decorative hardware for Roman shades.
<b>Swing Arms</b>			
	17	19	For French doors, or other places where drapes need to swing back from opening.
<b>Valance Over Blinds</b>			
Clip-A-Crown	36	32	Lightweight decorative metal valances.

## QUICK SHIP PROGRAM

Xpress YourWay - Our best selling Iron Art, Bohemia and Italian Collection finials and rods, in an assortment of great finishes; your choice of next day or three business day shipping. See pages 4-5 for pricing.

<b>ROD SYSTEMS:</b>	<b>CATALOG PAGE</b>	<b>PRICE LIST PAGE</b>	<b>SPECIAL APPLICATIONS:</b>
<b>Bendable Rods</b>			
Burgundy	28	27	For: <ul style="list-style-type: none"> <li>• Curved Applications</li> <li>• Bay Windows</li> <li>• Special Corners</li> <li>• Arched Windows</li> <li>• Windows with Unusual Shapes</li> </ul>
Iron Art	15	12	
Italian	58	56	
Tropical	26	26	
<b>By Pass System</b>			
Unique	20/61	23/58	Hand drawn system over support brackets.
<b>Expandable Sets</b>			
Oasis	20	23	Expandable rod, finial, bracket sets in iron from small to extra large (117"-154").
<b>Faux Bamboo</b>			
Tropical	26	26	Bendable iron rods, finials, etc. covered with faux bamboo for an "island" look.
<b>Front Facing Finials</b>			
3D Drapery Hardware	22	25	Finials are in front of the rod and can be manually adjusted to be above or below it.
<b>Hand Crafted Decorative Rods</b>			
Burgundy	28	27	Rods incorporating vines, leaves, birds & decorative accents - Hand crafted.
<b>Metal Plated Iron (Metallic Finishes)</b>			
Italian	58	56	Sleek, modern designs in metallic finishes.
<b>Motorization</b>			
Deco Lite Traversing	50	46	Full technical support from Orion - and it's easy to specify and easy to install. Available with radio frequency or infrared controls. Answer a few simple questions and you are ready for the latest in home automation.
Designers' Choice Traversing Rods	42	38	
KBlair*			
Tuscany Cornices	32	30	
Tuscany Traversing	46	42	
Traversing with Somfy	52	50	
<b>Thin Line Drapery Hardware</b>			
Fina	21	24	For short, narrow spaces such as French doors, small windows, etc; café rod styles.
<b>Traversing and Cord Drawn</b>			
Deco Lite Traversing	50	46	Heavy duty traverse systems to meet all your design needs. Iron and wood fascia designs; rings and motorization available.
Designers' Choice Traversing Rods	42	38	
KBlair*			
Tuscany Cornices	32	30	
Tuscany Traversing	46	42	

## CUSTOM PRODUCTS & CUSTOM FABRICATIONS

Our specialty and our pleasure! Please call for quotes. We're happy to be of service to meet your drapery hardware needs and help you solve those difficult problems!

**Outdoor Hardware Available. Add 30% net upcharge. Please call for an estimate.**

### GENERAL ORDERING INFORMATION

1. We splice any iron rod or wood pole over 106" and any traversing rod over 102" to save on shipping charges using FedEx. Rods, poles or traversing not specified as one piece in the order will be spliced in the center, unless a splice location is otherwise noted. Anything over these lengths is shipped by truck, and final shipping charges are given when the order is shipped. Please note residential truck deliveries are restricted to 24' (288").
2. Wood poles are priced as per minimum section (4', 6', 8' & 12'). For example a 4' 8" pole will be charged at 6'.
3. Items priced per foot are rounded up or down at six inches; i.e., up to 5<sup>7</sup>/<sub>8</sub>" is rounded down to the nearest foot, 6" and above are rounded up to the nearest foot.
4. Any wood or iron ring (except "C" ring Product #330C) or bracket may be utilized interchangeably with iron rods or wood poles.
5. All wood and resin finials are attached to wood poles using a screw-in fitting, which is included.

\*Please see separate brochure and price list.

# CONTENTS

## Iron

3D Drapery Hardware (Finials in Front of Rod) .....	25
Accessories .....	11
Batons .....	22
Brackets .....	14
Bracket Guide .....	16
Burgundy Collection (Hand Crafted Decorative Rods) .....	27
Decorative Brackets .....	15
Fina Collection (Thin Line Drapery Hardware) .....	24
Finials .....	6
Iron Art™ Finishes .....	3
Italian Collection (Metal Plated Iron Drapery Hardware) .....	56
Italian Collection Finishes .....	3
Milano Collection (Roman Shades on Drapery Hardware, Available While Supplies Last) .....	24
Oasis Collection (Expandable Sets) .....	23
Rings .....	18
Rods .....	12
Swing Arms .....	19
Tiebacks/Swag Holders .....	21
Tropical Collection (Faux Bamboo on Iron) .....	26
Unique Collection (By Pass System with "C" Rings) .....	23
Vienna Collection (Decorative Scrolls) .....	29
Village Forge Collection (Hand Crafted Iron Finials) .....	9
Xpress Yourway (Orion's Quickship Program) .....	4

## Finials

Bohemia Collection (Decorative Hand Crafted Faceted Crystal-Glass Finials) .....	58
Eclectic Collection (Glass & Rattan Finials, Available While Supplies Last) .....	10
Finials (Iron) .....	6
Italian Collection (Metal Plated Iron Drapery Hardware) .....	56
Provence Collection (Decorative Hand Blown Art Glass Finials, Available While Supplies Last) .....	10
Village Forge Collection (Hand Crafted Iron Finials) .....	9
New York Wood Collection (Exclusive Hand-Painted Wood Finials) .....	63
Rosina Collection (Decorative Resin Finials) .....	62
Wood Craft Collection (Hand-Carved Finials, Available While Supplies Last) .....	59

## Cornices, Crowns, Decorative Scroll Work and Valances

Clip-A-Crown (Lightweight Decorative Metal Valance Over Blinds) .....	32
Mediterranean Collection (Lightweight Decorative Crowns) .....	28
Renaissance Collection (Lightweight Decorative Cornices) .....	29
Tuscany Collection (Lightweight Decorative Metal Cornices) .....	30
Vienna Collection (Decorative Scrolls) .....	29

## Manual and Motorized Traversing

Common Measurements / Pinch Pleat & RippleFold Guides .....	34
Deco Lite Traversing (Lightweight Embossed Metal Panels) .....	46
Deco Lite Traversing: Bracket Guide .....	49
Designers' Choice Traversing Rods (Iron & Wood Traversing Rods with Heavy Duty Hardware) .....	38
Installation Guides .....	36
Manual Traversing: Bracket Guide .....	45
Motorized Traversing: Bracket Guide .....	53
Traversing with Somfy Motorization .....	50
Tuscany Traversing Collection (Lightweight Embossed Metal Rods and Heavy Duty Hardware) .....	42

## Wood and Resin

New York Wood Collection (Exclusive Hand-Painted Wood Finials) .....	63
Rosina Collection (Decorative Resin Finials) .....	62
Wood Art™ Finishes .....	3
Wood Craft Collection (Hand-Carved Finials, Available While Supplies Last) .....	59
Wood Poles & Accessories .....	60
Order Forms .....	69
Promotional Items/Designer Product Case .....	64
Measurement Guidelines .....	77
Summary of Charges .....	68
Terms of Sale .....	66
Xpress Yourway (Orion's Quickship Program) .....	4

## Finishes: Ordering Information

1. Finishes are included in the product price. Please see catalog and price list for finish groups.
2. Please note that the finishes presented in catalog are lithographic reproductions of the actual finishes, and as such, may not accurately reflect the true depth and tone of our finishes. Please refer to the actual finish samples (Selector Set) before ordering.
3. Design and crackle will vary in Crackle Finish.
4. We can match most custom finishes, with a one-time strike-off charge of \$40.00 (net) per sample. All custom finishes need prior approval before production. For the order, please refer to the product price in the Custom Finish Group.
5. Iron Art™ and Wood Art™ finishes are also available as Semi or High Gloss. Please add a 20% upcharge.

### Iron Art™ Finishes (Groups A, B, C, D): Pages 72 & 73 of Catalog

Grp	Finish Code	Finish Name	Grp	Finish Code	Finish Name	Grp	Finish Code	Finish Name
A	09	Light Brown	B	15	Bronze Vecchio	C	26	Bronze Patina
A	14	Black	B	17	Burnt Silver	C	27	Cherry Gold
A	19	Brown	B	20	Antique White	C	28	Vecchio Patina
B	01	Old Black	B	32	Ivory	C	29	Golden Oak
B	02	Antique Bronze	B	33	Pure White	D	05	Autumn
B	03	Naturalle	B	34	Oil Rubbed Bronze	D	08	Imposter
B	04	Rusty	B	35	Metal Ore	D	21	Crackle
B	06	Antique Gold	C	11	Versace	D	22	Antique Crackle
B	07	Rich Gold	C	16	Gold Antique White	D	23	Mocha Mix
B	10	Antique Copper	C	18	Renaissance Silver	D	30	Warm Cherry
B	12	New Nickel	C	24	Sage Gold	D	31	Sugar Maple
B	13	Soft Pewter	C	25	Burnt Gold			

### Wood Art™ Finishes (Groups E, F): Page 74 of Catalog

Group	Finish Code	Finish Name	Group	Finish Code	Finish Name
E	WC 101	Light Cherry	F	WC 107	White Distress
E	WC 102	Natural	F	WC 108	Aged Pewter
E	WC 103	Mahogany	F	WC 109	Imitation Gold Leaf
E	WC 104	White Wash	F	WC 110	Golden Teak
E	WC 105	Dusk Black	F	WC 111	Sun Oak
E	WC 106	Walnut			

### Italian Finishes (Groups I, J, K): Page 61 of Catalog

Group	Finish Code	Finish Name	Group	Finish Code	Finish Name
I	IT 201	Brushed Nickel	K	IT 203	Oiled Bronze
J	IT 206	Polished Chrome	K	IT 204	Satin Copper
K	IT 202	Black Nickel	K	IT 205	Satin Gold

*All unfinished products will be priced as Group A.*

## **Xpress Yourway: Ordering Information**

1. All orders received by 12:00 noon Pacific time will be considered same day orders.  
Shipping times are in business days.
2. Finials are interior fit only.
3. Modifications from specifications offered will NOT qualify for the Xpress Yourway program.
4. Cancellation of orders will result in a 35% restocking fee.
5. Please utilize the Xpress Yourway order form or mark orders as Xpress Yourway.  
Orders without an Xpress Yourway indication will be processed with standard shipping times.

## **Xpress Yourway: Page 4 of Catalog**

**Express It! Finishes**  
Next Day Shipping

**Quicken It! Finishes**  
3 Day Shipping

Round Hollow Rods			Unit		
1" Diameter			FOOT	13	16
1½" Diameter			FOOT	17	21
Finials	Length	Height	Unit		
420	1¾"	2"	EACH	26	34
505	2¾"	1½"	EACH	26	33
513	1"	2¼"	EACH	30	38
906S	3½"	3"	EACH	37	47
946 Sm 2"	2"	2"	EACH	28	36
947L	2½"	2½"	EACH	37	47
950	5¼"	2½"	EACH	41	52
966	3½"	2¼"	EACH	32	41
End Caps, Sockets & Connectors	Length	Height	Unit		
306-100 - 1" Rod Socket	1⅛"	1⅝"	EACH	28	32
306-112 - 1½" Rod Socket	1⅛"	1 <sup>13</sup> / <sub>16</sub> "	EACH	35	40
321 - End Cap (1" / 1½" Rods)	5 <sup>1</sup> / <sub>16</sub> " / 3 <sup>3</sup> / <sub>8</sub> "	1¼" / 2"	EACH	13	16
300 - Connector (1" / 1½" Rods)	8"	7 <sup>7</sup> / <sub>8</sub> " / 1 <sup>3</sup> / <sub>8</sub> "	EACH	16	16
Brackets	Width	Height	Unit		
1028-RND 3" P	1"	3¼"	EACH	19	24
1028-RND 6" P	1"	3¼"	EACH	26	33
1024DBWS-RND 3" & 6" P	1"	4"	EACH	36	46
Rings	Inner Diameter		Unit		
350 RND for 1" Rod	1½"		EACH	4	5
350 RND for 1½" Rod	2"		EACH	4	5
Post Projection Tiebacks	Diameter		Unit		
1059 - Expandable 3"- 4½" P	3"		EACH	30	38
1073 - Expandable 3"- 4½" P	3½"		EACH	32	41
1078 - Expandable 3"- 4½" P	3¾" x 3¾"		EACH	39	50
Batons with Clip	Length	Diameter	Unit		
1016	48"	½"	EACH	44	56

<b>Xpress Yourway: Page 5 of Catalog</b>				<b>Express It! Finishes</b> Next Day Shipping	
				Brushed Nickel	Polished Chrome
<b>Round Hollow Rods</b>				<b>Unit</b>	
<b>1" Diameter</b>				FOOT	
				<b>26</b>	<b>31</b>
<b>Finials</b>	<b>Length</b>	<b>Height</b>	<b>Unit</b>		
774	2"	2 <sup>3</sup> / <sub>4</sub> "	EACH	<b>66</b>	<b>66</b>
775	2 <sup>3</sup> / <sub>4</sub> "	2 <sup>1</sup> / <sub>2</sub> "	EACH	<b>82</b>	<b>82</b>
778	1 <sup>1</sup> / <sub>4</sub> "	2 <sup>3</sup> / <sub>8</sub> "	EACH	<b>62</b>	<b>62</b>
787	3 <sup>1</sup> / <sub>2</sub> "	2"	EACH	<b>71</b>	<b>71</b>
788	3 <sup>1</sup> / <sub>2</sub> "	2"	EACH	<b>71</b>	<b>71</b>
7003	2"	2"	EACH	<b>49</b>	<b>58</b>
7005	2"	1 <sup>1</sup> / <sub>8</sub> "	EACH	<b>41</b>	<b>49</b>
7006	2"	1"	EACH	<b>43</b>	<b>52</b>
<b>End Caps and Connectors</b>	<b>Length</b>	<b>Height</b>	<b>Unit</b>		
7016 - Metal End Cap	1"	1 <sup>3</sup> / <sub>4</sub> "	EACH	<b>15</b>	<b>18</b>
790 - Crystal End Cap	3/4"	2"	EACH	<b>56</b>	<b>56</b>
300 - Connector	8"	7/8"	EACH	<b>16</b>	<b>16</b>
<b>Brackets</b>	<b>Width</b>	<b>Height</b>	<b>Unit</b>		
7014 3" P	1"	3 <sup>1</sup> / <sub>4</sub> "	EACH	<b>39</b>	<b>46</b>
7015 6" P	1"	3 <sup>1</sup> / <sub>4</sub> "	EACH	<b>42</b>	<b>50</b>
7040 3" & 6" P	1"	4"	EACH	<b>58</b>	<b>70</b>
<b>Rings</b>	<b>Inner Diameter</b>		<b>Unit</b>		
7013	1 <sup>1</sup> / <sub>2</sub> "		EACH	<b>9</b>	<b>10</b>
<b>Batons with Clip</b>	<b>Length</b>	<b>Diameter</b>	<b>Unit</b>		
1014	48"	1/2"	EACH	<b>66</b>	<b>79</b>

**Express It! Finishes:** Brushed Nickel and Polished Chrome



Xpress Yourway  
Wall Display Available.  
Please see item #8002 on page 64.

## Finials: Ordering Information

1. All finials will have interior fit unless specified otherwise (exterior fit).
2. Finials are also available as screw-in to fit wood poles.
3. Please specify left or right orientation of finial as applicable.
  - a. If ordered in pairs (quantity of 2, 4, 6, etc.), finials will be supplied as one left and one right unless otherwise noted on order.
4. If ordering finials to fit rods other than Orion's, please provide the rod diameter and gauge.

## Finials: Pages 8 & 9 of Catalog

Product #	Unit	Iron Art Finishes				Custom Finish	Additional Information
		A	B	C	D		
400	EACH	45	58	63	68	79	Hand Forged
401	EACH	60	77	84	90	105	Hand Forged
402	EACH	45	58	63	68	79	Hand Forged
403	EACH	41	52	57	61	71	Hand Forged
404	EACH	41	52	57	61	71	Hand Forged
405	EACH	32	41	45	48	56	
406	EACH	33	42	46	50	58	
407	EACH	35	44	48	52	60	
408	EACH	35	45	49	53	61	Hand Forged / Specify Left or Right
409	EACH	35	45	49	53	61	Specify Left or Right
410	EACH	40	51	56	60	70	Specify Left or Right
411	EACH	55	71	77	83	97	
412	EACH	60	77	84	90	105	Hand Forged / For Rods 1¼" Dia. & Up
413	EACH	46	58	64	68	80	Hand Forged
414	EACH	46	59	65	69	81	
415	EACH	35	45	49	53	62	
416	EACH	50	64	70	75	88	Specify Left or Right
417	EACH	25	32	35	38	44	
418	EACH	39	50	54	58	68	Specify Left or Right
419	EACH	71	91	100	107	125	Specify Left or Right
420	EACH	26	34	37	40	46	
421	EACH	26	33	36	39	45	
422	EACH	30	38	42	45	53	Only Available as Shown in Catalog
501	EACH	80	102	111	119	139	
502	EACH	65	83	90	97	113	
503	EACH	39	50	54	58	68	
505	EACH	26	33	36	39	45	
506	EACH	73	93	102	109	127	Specify Left or Right
507	EACH	52	66	72	77	90	Specify Left or Right
508	EACH	52	66	72	77	90	
509	EACH	60	77	84	90	105	



### Finials: Pages 8 & 9 of Catalog (continued)

Product #	Unit	Iron Art Finishes				Custom Finish	Additional Information
		A	B	C	D		
510	EACH	71	91	99	106	124	
511	EACH	22	28	30	32	38	
512	EACH	34	44	48	52	60	
513	EACH	30	38	42	45	52	

### New Finials: Pages 6 & 7 of Catalog

550	EACH	78	86	94	103	119	
551	EACH	47	57	66	76	94	
552	EACH	57	66	76	85	104	
553	EACH	68	77	87	96	115	
554	EACH	61	70	79	89	108	
555	EACH	69	78	88	97	116	
556	EACH	48	58	67	76	95	
557	EACH	51	60	70	79	98	
558	EACH	34	43	52	62	80	
559	EACH	34	43	52	62	80	

### Finials: Pages 9 & 10 of Catalog (continued)

707	EACH	49	63	69	74	87	Hand Forged / Specify Left or Right
711	EACH	65	83	90	97	113	Specify Left or Right
900 Sm	EACH	47	61	66	71	83	Hand Forged / Specify Left or Right
900 Md	EACH	49	63	68	73	85	Hand Forged / Specify Left or Right
901	EACH	32	41	45	48	56	
902	EACH	32	41	45	48	56	
903	EACH	32	41	45	48	56	
904 Sm	EACH	35	44	48	52	60	
904 Lg	EACH	60	77	84	90	105	
905	EACH	30	39	42	45	53	
906 Sm	EACH	37	47	52	55	64	
906 Lg	EACH	51	66	72	77	90	
907	EACH	28	35	39	41	48	Hand Forged
908	EACH	28	35	39	41	48	Hand Forged
909	EACH	33	42	46	50	58	
910	EACH	30	39	42	45	53	Hand Forged
911	EACH	26	33	36	39	45	
912	EACH	34	43	47	50	59	
913 Sm	EACH	26	34	37	40	46	
913 Lg	EACH	33	42	46	50	58	
914	EACH	22	28	30	32	38	

## Finals: Pages 10 - 12 of Catalog (continued)

Product #	Unit	Iron Art Finishes				Custom Finish	Additional Information
		A	B	C	D		
916	EACH	26	34	37	40	46	
921	EACH	32	41	45	48	56	
927	EACH	28	36	39	42	49	Specify Left or Right
929	EACH	29	37	40	43	50	Specify Left or Right
929MV	EACH	37	47	51	55	64	Movable Finial / Specify Left or Right
933	EACH	26	34	37	40	46	Also Available as Movable Finial
934	EACH	37	48	52	56	65	
935	EACH	37	48	52	56	65	
936	EACH	32	41	45	48	56	Hand Forged / Specify Left or Right
937	EACH	37	47	51	55	64	Hand Forged / Specify Left or Right
938	EACH	41	52	57	61	71	Hand Forged / Specify Left or Right
939	EACH	67	85	93	100	117	Specify Left or Right
940	EACH	52	66	72	77	90	Hand Forged
941	EACH	53	68	74	79	92	Hand Forged / Specify Left or Right
943	EACH	32	41	45	48	56	Hand Forged
944	EACH	33	42	46	50	58	Hand Forged / Specify Left or Right
945	EACH	37	47	51	55	64	Hand Forged / Specify Left or Right
946 Sm	EACH	28	36	39	42	49	2" Diameter Ball
946 Md	EACH	37	47	51	55	64	3" Diameter Ball
946 Lg	EACH	41	52	57	61	71	4" Diameter Ball
946H Sm	EACH	32	41	45	48	56	2" Diameter Hammered Ball
946H Md	EACH	41	52	57	61	71	3" Diameter Hammered Ball
946H Lg	EACH	47	61	66	71	83	4" Diameter Hammered Ball
947 Sm	EACH	30	39	42	45	53	For Rods up to 3/4" Diameter Only
947 Lg	EACH	37	47	51	55	64	For Rods 7/8" Diameter & Above
948	EACH	30	39	42	45	53	
949	EACH	30	39	42	45	53	
950	EACH	41	52	57	61	71	
951	EACH	59	76	83	89	104	
952	EACH	28	36	39	42	49	
953	EACH	28	36	39	42	49	
954	EACH	124	159	174	186	217	Specify Left or Right
955	EACH	33	42	46	50	58	
956	EACH	30	38	42	45	52	
966	EACH	32	41	45	48	56	
971	EACH	62	80	87	94	109	Hand Forged / Specify Left or Right
973	EACH	30	39	42	45	53	

## Finials: Page 12 of Catalog (continued)

Product #	Unit	Iron Art Finishes				Custom Finish	Additional Information
		A	B	C	D		
975	EACH	37	47	51	55	64	Hand Forged
976	EACH	30	38	42	45	52	
979	EACH	43	55	60	65	75	Specify Left or Right
982	EACH	69	88	96	103	120	Hand Forged / Specify Left or Right
983	EACH	35	44	48	52	60	
984	EACH	41	52	57	61	71	
985	EACH	69	88	96	103	120	
986	EACH	62	80	87	94	109	Hand Forged
987	EACH	28	36	39	42	49	
988	EACH	62	80	87	94	109	
989	EACH	30	39	42	45	53	
990	EACH	58	74	81	87	102	Specify Left or Right
991	EACH	45	58	63	68	79	Hand Forged
992	EACH	41	52	57	61	71	Hand Forged

## New Finials: Page 7 of Catalog

9704	EACH	18	23	25	27	32	
9705	EACH	22	28	31	33	39	
9705L	EACH	28	36	39	42	49	
9706	EACH	28	36	39	42	49	
9706L	EACH	34	44	48	51	60	

## Village Forge Collection: Ordering Information

- All finials will have interior fit unless specified otherwise (exterior fit).
- Finials are also available as screw-in to fit wood poles.
- Please specify left or right orientation of finial as applicable.
  - If ordered in pairs (quantity of 2, 4, 6, etc.), finials will be supplied as one left and one right unless otherwise noted on order.

## Village Forge Collection: Page 13 of Catalog

Product #	Unit	Iron Art Finishes				Custom Finish	Additional Information
		A	B	C	D		
600	EACH	73	94	103	110	129	Hand Forged / Specify Left or Right
601	EACH	73	94	103	110	129	Hand Forged / Specify Left or Right
602S	EACH	65	83	91	97	113	Hand Forged
602L	EACH	67	85	94	100	117	Hand Forged
603	EACH	73	94	103	110	129	Hand Forged / Specify Left or Right
604	EACH	65	83	91	98	114	Hand Forged / Specify Left or Right
605	EACH	67	85	94	100	117	Hand Forged / Specify Left or Right
606	EACH	73	94	103	110	129	Hand Forged / Specify Left or Right
607	EACH	67	85	94	100	117	Hand Forged / Specify Left or Right
608	EACH	67	85	94	100	117	Hand Forged / Specify Left or Right

## Provence Collection: Ordering Information

*The Provence Collection is available while supplies last.*

1. Finials are available to fit ¾" and 1" Round Hollow Rods.
2. Finials are available as exterior fit **ONLY**.
3. Finials are shipped in special lined and padded wooden boxes.
4. Rod finishes are available in 35 Iron Art™ and 6 Italian Collection finishes.
5. Glass finials may vary in size & color as they are hand blown products.

## Provence Collection: Page 14 of Catalog

Product #	Unit	Price	Length	Height	Product #	Unit	Price	Length	Height
830	EACH	62	4½"	3"	835	EACH	58	3¼"	3¼"
831	EACH	62	4½"	3"	836	EACH	58	3¼"	3¼"
832	EACH	62	4½"	3"	837	EACH	58	3¼"	3¼"
833	EACH	62	4½"	3"	838	EACH	58	3¼"	3¼"
834	EACH	62	4½"	3"					

## Eclectic Finials: Ordering Information

*Eclectic Finials are available while supplies last.*

1. Eclectic finials are only available to fit Round Rods ¾" and 1" in diameter as exterior fit.
2. Eclectic finials are not available as tiebacks and swag holders.

## Eclectic Finials: Page 14 of Catalog

Product #	Unit	Price	Fitting Finishes		Additional Information
			Iron Art	Italian	
801	EACH	58	Y	Y	Available in Frosted White, Clear White, Clear Pink, or Clear Green
802	EACH	58	Y	Y	Available in Frosted White, Clear White, Clear Pink, or Clear Green
803	EACH	44	Y	Y	Rattan Finial
804	EACH	38	Y	Y	Rattan Finial
805	EACH	38	Y	Y	Rattan Finial
806	EACH	44	Y	Y	Rattan Finial
807	EACH	44	Y	Y	Rattan Finial
808	EACH	46	Y	Y	Rattan Finial
809	EACH	58	N	Y	Available in Italian Connectors Only
810	EACH	44	N	N	Available Only in Finish Shown in Catalog
811	EACH	44	N	N	Available Only in Finish Shown in Catalog

Y = Available, N = Not Available

## Accessories: Ordering Information

1. Rods need to be mitered when using interior elbows (Product #309). Please add Product #307 for miter charges.
2. Standard elbows and corner brackets are available in 45° and 90°. For other angles, please add Product #322 as a custom angle charge.
3. For items with custom welding, please add Product #323.

## Accessories: Page 15 of Catalog

Product #	Unit	Iron Art Finishes				Custom Finish	Additional Information
		A	B	C	D		
214	EACH	17	22	24	27	31	Hook with Screw Fitting
300	EACH	16	16	16	16	16	Connector for Spliced Rods
301-RND/SQ	EACH	12	15	17	19	22	End Cap for Round or Square Rods - Interior Fit
302-RND/SQ	EACH	11	14	15	17	19	Half Open Socket for Round or Square Rods
303-RND/SQ	EACH	15	19	21	23	27	Full Socket
304 PEG 1	EACH	17	22	24	27	31	Peg with Screw Fitting
305 PEG 2	EACH	13	16	18	20	23	Peg with Screw Fitting
307	EACH	14	14	14	14	14	Miter Charge
308	EACH	28	36	39	43	50	Half Open Decorative Socket
309	EACH	20	25	27	30	35	Elbow: Specify Interior or Exterior Fit and Angle. If Interior Fit, Rods must be Mitered. Please Add Product #307.
310	EACH	26	33	36	40	46	Hook Peg
311	EACH	30	38	42	47	54	Hand-Forged Hook Bracket
312	EACH	30	38	42	46	54	Corner Bracket / Exterior Fit Only
313	EACH	6	8	9	10	12	Knob
314	EACH	15	19	21	23	27	Hook with Screw Fitting
315	EACH	39	49	54	60	70	For Hollow Rods / Interior Fit Only
316 Small	EACH	26	33	36	40	46	Ring Bracket / Order in Full Inch Inner Diameter Increments
316 Large	EACH	47	60	66	73	85	Ring Bracket / Order in Full Inch Inner Diameter Increments
317	EACH	12	14	15	16	18	Eyelet Charge
320	EACH	37	47	51	57	66	For Hollow Rods / Interior Fit Only
321	EACH	13	16	18	20	23	Decorative Cap / Interior Fit Round Hollow Rods
322	EACH	86	110	120	133	155	Custom Elbow Angle Charge
323	EACH	6	6	6	6	6	Weld Charge

Master Carriers for Rods with Rings	Product #	Unit	Price	Sets Include:
Overlap Master Carrier Set in Iron Art Finishes	MCS-IA	EACH	16	<ul style="list-style-type: none"> <li>• One straight master carrier for rings.</li> <li>• One overlap master carrier for rings.</li> <li>• Four rings (two for each carrier).</li> </ul>
Overlap Master Carrier Set in Italian Finishes	MCS-IT	EACH	23	

Please see page 25 of the catalog for more information on Overlap Master Carriers.

## Rods: Ordering Information

- We splice any iron rod or wood pole over 106" to save on shipping charges using FedEx. Rods or poles not specified as one piece in the order will be spliced in the center, unless splice location is otherwise noted. Anything over 106" must be shipped by common carrier (truck line). Please note residential truck deliveries are restricted to 24' (288").
- Rods can be mitered. Please add Product #307 (page 11) for miter charges.
- Twist Hollow Rods, both regular and hammered, are made from the following:
  - $\frac{5}{8}$ " Twist Rod is made from a  $\frac{1}{2}$ " Square Hollow Rod.
  - $\frac{7}{8}$ " Twist Rod is made from a  $\frac{5}{8}$ " Square Hollow Rod.
  - 1" Twist Rod is made from a  $\frac{3}{4}$ " Square Hollow Rod.
  - $1\frac{1}{4}$ " Twist Rod is made from a 1" Square Hollow Rod.
- Rope Rods are made from the following:
  - $\frac{3}{4}$ " Rope Rod is made from four Solid Rods each  $\frac{5}{16}$ " diameter.
  - $1\frac{1}{4}$ " Rope Rod is made from four Hollow Rods each  $\frac{1}{2}$ " diameter.
  - $1\frac{3}{4}$ " Rope Rod is made from seven Hollow Rods each  $\frac{1}{2}$ " diameter.
- Rope Wire Rods are made from four Solid Rods each  $\frac{1}{4}$ " diameter and two Hollow Rods each  $\frac{1}{2}$ " diameter.
- We offer Twist Solid Rods. This is a custom product, so please call for a price quote. Due to weight considerations, a liability waiver may be required.
- If applicable, please specify rod deductions for bay windows, arches, and bent rods.

## Rods: Page 15 of Catalog

Product # / Size	Unit	Iron Art Finishes				Custom Finish	Additional Information
		A	B	C	D		
<b>Round Hollow Rods</b>							
<b><math>\frac{1}{2}</math>" Diameter</b>	FOOT	<b>9</b>	<b>12</b>	<b>13</b>	<b>14</b>	<b>16</b>	Regular & Heavy Gauge / Can be Bent
<b><math>\frac{5}{8}</math>" Diameter</b>	FOOT	<b>9</b>	<b>12</b>	<b>13</b>	<b>14</b>	<b>16</b>	Regular & Heavy Gauge / Can be Bent
<b><math>\frac{3}{4}</math>" Diameter</b>	FOOT	<b>9</b>	<b>12</b>	<b>13</b>	<b>14</b>	<b>16</b>	Regular & Heavy Gauge / Can be Bent
<b>1" Diameter</b>	FOOT	<b>13</b>	<b>16</b>	<b>18</b>	<b>19</b>	<b>22</b>	Regular & Heavy Gauge / Can be Bent
<b><math>1\frac{1}{4}</math>" Diameter</b>	FOOT	<b>15</b>	<b>19</b>	<b>21</b>	<b>22</b>	<b>26</b>	Regular & Heavy Gauge / Can be Bent
<b><math>1\frac{1}{2}</math>" Diameter</b>	FOOT	<b>17</b>	<b>21</b>	<b>24</b>	<b>25</b>	<b>29</b>	Regular & Heavy Gauge / Can be Bent
<b>2" Diameter</b>	FOOT	<b>21</b>	<b>27</b>	<b>29</b>	<b>32</b>	<b>37</b>	Template Approval Required to Bend
<b>3" Diameter</b>	FOOT	<b>27</b>	<b>35</b>	<b>38</b>	<b>41</b>	<b>48</b>	Can <b>NOT</b> be Bent
<b>Heavy Gauge Charge</b>							
<b>120</b>	FOOT	<b>8</b>	<b>8</b>	<b>8</b>	<b>8</b>	<b>8</b>	Specific Diameter Round Hollow Rods Only
<b>Round Hollow Hand Hammered Rods</b>							
<b><math>\frac{3}{4}</math>" Diameter</b>	FOOT	<b>15</b>	<b>20</b>	<b>22</b>	<b>23</b>	<b>27</b>	Can be Bent
<b>1" Diameter</b>	FOOT	<b>20</b>	<b>25</b>	<b>28</b>	<b>30</b>	<b>35</b>	Can be Bent
<b><math>1\frac{1}{4}</math>" Diameter</b>	FOOT	<b>22</b>	<b>28</b>	<b>31</b>	<b>33</b>	<b>39</b>	Can be Bent
<b><math>1\frac{1}{2}</math>" Diameter</b>	FOOT	<b>24</b>	<b>31</b>	<b>34</b>	<b>36</b>	<b>42</b>	Can be Bent
<b>2" Diameter</b>	FOOT	<b>29</b>	<b>36</b>	<b>40</b>	<b>43</b>	<b>50</b>	Template Approval Required to Bend
<b>3" Diameter</b>	FOOT	<b>35</b>	<b>45</b>	<b>49</b>	<b>53</b>	<b>62</b>	Can <b>NOT</b> be Bent
<b>Solid Round Rods</b>							
<b><math>\frac{1}{2}</math>" Diameter</b>	FOOT	<b>12</b>	<b>15</b>	<b>17</b>	<b>18</b>	<b>21</b>	Can be Bent
<b><math>\frac{3}{4}</math>" Diameter</b>	FOOT	<b>15</b>	<b>19</b>	<b>21</b>	<b>23</b>	<b>26</b>	Can be Bent
<b><math>\frac{7}{8}</math>" Diameter</b>	FOOT	<b>19</b>	<b>24</b>	<b>26</b>	<b>28</b>	<b>33</b>	Can be Bent
<b>Solid Round Hammered Rods</b>							
<b><math>\frac{1}{2}</math>" Diameter</b>	FOOT	<b>15</b>	<b>19</b>	<b>21</b>	<b>23</b>	<b>26</b>	Can be Bent
<b><math>\frac{5}{8}</math>" Diameter</b>	FOOT	<b>23</b>	<b>29</b>	<b>32</b>	<b>35</b>	<b>40</b>	Can be Bent
<b><math>\frac{3}{4}</math>" Diameter</b>	FOOT	<b>28</b>	<b>35</b>	<b>39</b>	<b>41</b>	<b>48</b>	Can be Bent

## Rods: Page 15 of Catalog (continued)

Product # / Size	Unit	Iron Art Finishes				Custom Finish	Additional Information
		A	B	C	D		
<b>Twist Hollow Rods</b>							
<b>5/8" Diameter</b>	FOOT	<b>9</b>	<b>12</b>	<b>13</b>	<b>14</b>	<b>16</b>	Can be Bent
<b>7/8" Diameter</b>	FOOT	<b>15</b>	<b>19</b>	<b>21</b>	<b>22</b>	<b>26</b>	Can be Bent
<b>1" Diameter</b>	FOOT	<b>17</b>	<b>21</b>	<b>24</b>	<b>25</b>	<b>29</b>	Can be Bent
<b>1 1/4" Diameter</b>	FOOT	<b>29</b>	<b>37</b>	<b>41</b>	<b>44</b>	<b>51</b>	Can be Bent
<b>Twist Hollow Hammered Rods</b>							
<b>5/8" Diameter</b>	FOOT	<b>19</b>	<b>24</b>	<b>26</b>	<b>28</b>	<b>33</b>	Can be Bent
<b>1" Diameter</b>	FOOT	<b>27</b>	<b>35</b>	<b>38</b>	<b>41</b>	<b>48</b>	Can be Bent
<b>1 1/4" Diameter</b>	FOOT	<b>40</b>	<b>51</b>	<b>56</b>	<b>60</b>	<b>70</b>	Can be Bent
<b>Square Hollow Rods</b>							
<b>1/2"</b>	FOOT	<b>10</b>	<b>13</b>	<b>14</b>	<b>15</b>	<b>18</b>	Can <b>NOT</b> be Bent
<b>3/4"</b>	FOOT	<b>10</b>	<b>13</b>	<b>14</b>	<b>15</b>	<b>18</b>	Can <b>NOT</b> be Bent
<b>1"</b>	FOOT	<b>13</b>	<b>16</b>	<b>18</b>	<b>19</b>	<b>22</b>	Can <b>NOT</b> be Bent
<b>1 1/4"</b>	FOOT	<b>15</b>	<b>19</b>	<b>21</b>	<b>22</b>	<b>26</b>	Can <b>NOT</b> be Bent
<b>1 1/2"</b>	FOOT	<b>17</b>	<b>21</b>	<b>24</b>	<b>25</b>	<b>29</b>	Can <b>NOT</b> be Bent
<b>2"</b>	FOOT	<b>21</b>	<b>27</b>	<b>29</b>	<b>32</b>	<b>37</b>	Can <b>NOT</b> be Bent
<b>Square Hammered Rods</b>							
<b>1/2" Solid</b>	FOOT	<b>14</b>	<b>18</b>	<b>20</b>	<b>21</b>	<b>25</b>	Can <b>NOT</b> be Bent
<b>3/4" Hollow</b>	FOOT	<b>20</b>	<b>26</b>	<b>28</b>	<b>30</b>	<b>35</b>	Can <b>NOT</b> be Bent
<b>1" Hollow</b>	FOOT	<b>24</b>	<b>31</b>	<b>34</b>	<b>36</b>	<b>42</b>	Can <b>NOT</b> be Bent
<b>Rope Rods</b>							
<b>3/4" Diameter Solid</b>	FOOT	<b>24</b>	<b>31</b>	<b>34</b>	<b>36</b>	<b>43</b>	Can be Bent
<b>1 1/4" Diameter Hollow</b>	FOOT	<b>25</b>	<b>32</b>	<b>35</b>	<b>38</b>	<b>44</b>	Can be Bent
<b>1 3/4" Diameter Hollow</b>	FOOT	<b>29</b>	<b>37</b>	<b>41</b>	<b>44</b>	<b>51</b>	Template Approval Required to Bend
<b>Wood Grain Solid Rods</b>							
<b>5/8" Diameter</b>	FOOT	<b>23</b>	<b>29</b>	<b>32</b>	<b>34</b>	<b>39</b>	Can be Bent
<b>3/4" Diameter</b>	FOOT	<b>30</b>	<b>38</b>	<b>42</b>	<b>45</b>	<b>53</b>	Can be Bent
<b>7/8" Diameter</b>	FOOT	<b>36</b>	<b>46</b>	<b>50</b>	<b>54</b>	<b>63</b>	Can be Bent
<b>Fluted Rods</b>							
<b>1 1/4" Diameter</b>	FOOT	<b>40</b>	<b>51</b>	<b>56</b>	<b>60</b>	<b>70</b>	Can <b>NOT</b> be Bent
<b>Wire Rope Rods</b>							
<b>1 1/4" Diameter</b>	FOOT	<b>36</b>	<b>46</b>	<b>50</b>	<b>54</b>	<b>62</b>	Can <b>NOT</b> be Bent
<b>Rod Bending Charges</b>							
<b>101</b>	FOOT	<b>16</b>	<b>16</b>	<b>16</b>	<b>16</b>	<b>16</b>	Bending - 1/2" to 3/4" Diameter Rods
<b>102</b>	FOOT	<b>18</b>	<b>18</b>	<b>18</b>	<b>18</b>	<b>18</b>	Bending - 1" to 1 1/2" Diameter Rods
<b>103</b>	FOOT	<b>20</b>	<b>20</b>	<b>20</b>	<b>20</b>	<b>20</b>	Bending - 1 3/4" to 2" Diameter Rods

## Brackets: Ordering Information

1. Standard bracket projections (measured from the wall to the center of the rod) and specifications are listed in the Bracket Guide. Any bracket **NOT** listed in Bracket Guide is a custom bracket.
2. Brackets with variations in height, diameter or projection are modified brackets.  
Please refer to Product #1047 for the bracket modification charge.
3. Close-fitting brackets (1" projection or less) are not recommended for rods over 1" diameter with rings.
4. For 3" diameter rods, please add Product #1047. Standard projection is 5".

## Brackets: Page 16 of Catalog

Product # <i>Shaded are Shown in Catalog</i>	Unit	Iron Art Finishes				Custom Finish	Additional Information
		A	B	C	D		
1010-RND/SQ	EACH	32	40	44	47	55	To Fit Round or Square Rods
1010P6-RND/SQ	EACH	40	51	56	60	70	To Fit Round or Square Rods
1011-RND/SQ	EACH	28	36	39	42	49	To Fit Round or Square Rods
1011P6-RND/SQ	EACH	40	51	56	60	70	To Fit Round or Square Rods
1021S-RND/SQ	EACH	23	29	32	35	40	To Fit Round or Square Rods
1021-RND/SQ	EACH	23	29	32	35	40	To Fit Round or Square Rods
1021P6-RND/SQ	EACH	28	35	39	41	48	To Fit Round or Square Rods
1024DBWS-RND/SQ	EACH	36	46	50	54	63	Double Bracket with Support to Fit Round or Square Rods / Same Diameter Front & Back
1024DBWS-VS-RND/SQ		Double Bracket with Support to Fit Round or Square Rods / Different Diameters for Front & Back Our Four Standard Sizes are Listed Below / Larger Diameter Rod in Front					
3/4" & 1" Diameter	EACH	29	37	41	44	51	To Fit 3/4" & 1" Diameter Rods
3/4" & 1 1/4" Diameter	EACH	32	40	44	47	55	To Fit 3/4" & 1 1/4" Diameter Rods
1" & 1 1/4" Diameter	EACH	34	43	47	50	59	To Fit 1" & 1 1/4" Diameter Rods
1" & 1 1/2" Diameter	EACH	36	46	50	54	62	To Fit 1" & 1 1/2" Diameter Rods
1027-RND/SQ	EACH	27	35	38	41	48	To Fit Round or Square Rods
1028-RND/SQ	EACH	19	24	26	28	33	To Fit Round or Square Rods
1028P6-RND/SQ	EACH	26	33	36	39	45	To Fit Round or Square Rods
1028HP-RND/SQ	EACH	17	22	24	26	30	To Fit Round or Square Rods Horizontal Plate
1028HPP6-RND/SQ	EACH	28	36	39	42	49	To Fit Round or Square Rods Horizontal Plate
1028EXP-RND	EACH	32	41	45	48	56	To Fit Round Rods / Expandable
1028HDP3-RND/SQ	EACH	22	27	30	32	38	To Fit Round or Square Rods / Heavy Duty
1028WS-RND/SQ	EACH	28	36	39	42	49	To Fit Round or Square Rods / with Support
1028WSP6-RND/SQ	EACH	32	41	45	48	56	To Fit Round or Square Rods / with Support
1028EBP-RND/SQ	EACH	22	27	30	32	38	To Fit Round or Square Rods Extended Back Plate 3/4" from Top
1028EBPP6-RND/SQ	EACH	26	33	36	39	45	To Fit Round or Square Rods Extended Back Plate 3/4" from Top
1029P4-RND/SQ	EACH	28	36	39	42	49	To Fit Round or Square Rods
1029P6-RND/SQ	EACH	32	41	45	48	56	To Fit Round or Square Rods
1030-RND/SQ	EACH	28	36	39	42	49	To Fit Round or Square Rods
1030P6-RND/SQ	EACH	34	44	48	52	60	To Fit Round or Square Rods
1030SL-RND/SQ	EACH	22	27	30	32	38	To Fit Round or Square Rods Slim with 3/4" Width
1030SLP6-RND/SQ	EACH	26	33	36	39	45	To Fit Round or Square Rods Slim with 3/4" Width
1033-RND/SQ	EACH	33	41	46	49	57	To Fit Round or Square Rods
1033P6-RND/SQ	EACH	40	51	56	60	70	To Fit Round or Square Rods



## Brackets: Page 16 of Catalog (continued)

Product # <i>Shaded are Shown in Catalog</i>	Unit	Iron Art Finishes				Custom Finish	Additional Information
		A	B	C	D		
1034-RND/SQ	EACH	24	30	33	35	41	To Fit Round or Square Rods
1034P6-RND/SQ	EACH	30	38	42	45	53	To Fit Round or Square Rods
1035-RND/SQ	EACH	19	25	27	29	34	To Fit Round or Square Rods Single / Ceiling Mount
1036-RND/SQ	EACH	30	38	42	45	53	To Fit Round or Square Rods Double / Ceiling Mount
1038-RND/SQ	EACH	39	50	55	59	68	To Fit Round or Square Rods Decorative Forged
1038P6-RND	EACH	46	58	64	68	80	To Fit Round Rods / Decorative Forged
1040-RND/SQ	EACH	19	25	27	29	34	To Fit Round or Square Rods
1040P6-RND/SQ	EACH	26	33	36	39	45	To Fit Round or Square Rods
1040HDP3-RND/SQ	EACH	22	27	30	32	38	To Fit Round or Square Rods / Heavy Duty
1040DBWS-RND/SQ	EACH	30	38	42	45	53	Double Bracket with Support to Fit Round or Square Rods / Same Diameter Front & Back
1040DBWS-VS-RND/SQ		Double Bracket with Support to Fit Round or Square Rods / Different Diameters for Front & Back Our Four Standard Sizes are Listed Below / Larger Diameter Rod in Front					
¾" & 1" Diameter	EACH	30	38	42	45	53	To Fit ¾" & 1" Diameter Rods
¾" & 1¼" Diameter	EACH	32	41	45	48	56	To Fit ¾" & 1¼" Diameter Rods
1" & 1¼" Diameter	EACH	34	44	48	52	60	To Fit 1" & 1¼" Diameter Rods
1" & 1½" Diameter	EACH	37	47	51	55	64	To Fit 1" & 1½" Diameter Rods
1040EBP-RND/SQ	EACH	19	25	27	29	34	To Fit Round or Square Rods Extended Back Plate ¾" from Top
1040EBPP6-RND/SQ	EACH	26	33	36	39	45	To Fit Round or Square Rods Extended Back Plate ¾" from Top
1040HP-RND/SQ	EACH	24	30	33	35	41	To Fit Round or Square Rods Horizontal Plate
1040HPP6-RND/SQ	EACH	26	33	36	39	45	To Fit Round or Square Rods Horizontal Plate
1040WS-RND/SQ	EACH	26	33	36	39	45	To Fit Round or Square Rods / with Support
1040WSP6-RND/SQ	EACH	30	38	42	45	53	To Fit Round or Square Rods / with Support
1040EXP-RND	EACH	34	44	48	52	60	To Fit Round Rods / Expandable
1045 (catalog page 20)	EACH	11	14	15	16	19	Top Rod Support / Heavy Duty
1046	EACH	22	27	30	32	38	¾" and ½" Round Bars for French Doors Projection: 1½"
1047	EACH	26	26	26	26	26	Bracket Modification Charge

## Decorative Brackets: Page 16 of Catalog

1100P3-RND/SQ	EACH	33	41	46	49	57	To Fit Round or Square Rods Specify Left or Right
1100P6-RND/SQ	EACH	37	47	52	55	64	To Fit Round or Square Rods Specify Left or Right
1102P3-RND/SQ	EACH	29	37	41	44	51	To Fit Round or Square Rods
1102P6-RND/SQ	EACH	36	46	50	54	62	To Fit Round or Square Rods
1103P3-RND/SQ	EACH	27	35	38	41	48	To Fit Round or Square Rods
1103P6-RND/SQ	EACH	34	43	47	50	59	To Fit Round or Square Rods
1104P3-RND/SQ	EACH	41	53	58	62	72	To Fit Round or Square Rods
1104P6-RND/SQ	EACH	48	62	68	72	85	To Fit Round or Square Rods
1105P3-RND/SQ	EACH	40	51	56	60	70	To Fit Round or Square Rods
1105P6-RND/SQ	EACH	46	59	65	69	81	To Fit Round or Square Rods
1106P3-RND/SQ	EACH	42	54	59	63	74	To Fit Round or Square Rods Specify Left or Right
1106P6-RND/SQ	EACH	50	64	71	76	88	To Fit Round or Square Rods Specify Left or Right

# Bracket Guide: Projections for Various Rod Diameters and Gauges

Product # <i>Shaded are Shown in Catalog</i>	Regular Gauge (1/8" Thick) (Not Heavy Duty)									Heavy Gauge (3/16" Thick) (Heavy Duty)														
	Refer to Pages 14 & 15 for Pricing																							
	Rod Diameter																							
	1/2"			3/4"			1"			1 1/4"			1 1/2"			1 3/4"			2"					
P = Projection • W = Back Plate Width • H = Back Plate Height • D = Drop																								
BRACKETS	P	W	H	P	W	H	P	W	H	P	W	H	P	W	H	P	W	H	P	W	H			
1010-RND/SQ	3"	2"	2"	3"	2"	2"	3"	2"	2"	3"	2"	2"	3"	2"	2"	4"	2"	2"	4"	2"	2"	4"	2"	2"
1010P6-RND/SQ	6"	2"	2"	6"	2"	2"	6"	2"	2"	6"	2"	2"	6"	2"	2"	6"	2"	2"	6"	2"	2"	6"	2"	2"
1011-RND/SQ	3"	2"	2 3/4"	3"	2"	2 3/4"	3"	2"	2 3/4"	3"	2"	2 3/4"	3"	2"	2 3/4"	4"	2"	2 3/4"	4"	2"	2 3/4"	4"	2"	2 3/4"
1011P6-RND/SQ	6"	2"	2 3/4"	6"	2"	2 3/4"	6"	2"	2 3/4"	6"	2"	2 3/4"	6"	2"	2 3/4"	6"	2"	2 3/4"	6"	2"	2 3/4"	6"	2"	2 3/4"
1021S-RND/SQ	1 1/2"	1"	4"	1 1/2"	1"	4"	1 1/2"	1"	4 1/4"	1 1/2"	1"	4 3/4"	2"	1"	5"	2"	1"	5"	2"	1"	5"	2"	1"	5 1/2"
1021-RND/SQ	3"	1"	4 1/2"	3"	1"	4 1/2"	3"	1"	4 1/2"	3"	1"	5"	3"	1"	5"	4"	1"	5"	4"	1"	5"	4"	1"	5 1/2"
1021P6-RND/SQ	6"	1"	6"	6"	1"	6"	6"	1"	6"	6"	1"	6 1/2"	6"	1"	6 1/2"	6"	1"	6 1/2"	6"	1"	6 1/2"	6"	1"	6 3/4"
1024DBWS-RND/SQ	3 7/6"	1"	4"	3 7/6"	1"	4"	3 7/6"	1"	4"	3 7/6"	1"	4"	3 7/6"	1"	4"	4 7/8"	1"	4"	4 7/8"	1"	4"	4 7/8"	1"	4 1/2"
1024DBWS-VS-RND/SQ	Double bracket with support to fit round or square rods. Different diameters for front & back. Our four standard sizes are listed below. Larger diameter rod is in the front.																							
To Fit 3/4" & 1" Dia. Rods				3"	1"	4"	6"	1"	4"															
To Fit 3/4" & 1 1/4" Dia. Rods				3"	1"	4"				6"	1"	4"												
To Fit 1" & 1 1/4" Dia. Rods							3"	1"	4"	6"	1"	4"												
To Fit 1" & 1 1/2" Dia. Rods							3"	1"	4"				6"	1"	4"									
1027-RND/SQ <small>round square</small>	4"	1/2"	4 1/2" 5 1/2"	4"	1/2"	4 1/2" 5 1/2"	4"	1/2"	4 1/2" 5 1/2"	4"	1/2"	4 3/4" 5 3/4"	4"	1/2"	4 3/4" 5 3/4"	4 1/2"	1/2"	4 3/4" 5 3/4"	4 1/2"	1/2"	4 3/4" 5 3/4"	4 1/2"	1/2"	4 3/4" 5 3/4"
1028-RND/SQ	3"	1"	3 1/4"	3"	1"	3 1/4"	3"	1"	3 1/4"	3"	1"	3 1/4"	3"	1"	3 1/4"	4"	1"	3 1/4"	4"	1"	3 1/4"	4"	1"	4"
1028P6-RND/SQ	6"	1"	3 1/4"	6"	1"	3 1/4"	6"	1"	3 1/4"	6"	1"	3 1/4"	6"	1"	3 1/4"	6"	1"	3 1/4"	6"	1"	3 1/4"	6"	1"	3 1/4"
1028HP-RND/SQ	3"	3"	1"	3"	3"	1"	3"	3"	1"	3"	3"	1"	3"	3"	1"	4"	3"	1"	4"	3"	1"	4"	3"	1"
1028HPP6-RND/SQ	6"	3"	1"	6"	3"	1"	6"	3"	1"	6"	3"	1"	6"	3"	1"	6"	3"	1"	6"	3"	1"	6"	3"	1"
1028EXP-RND	3-4 1/2"	1"	3 1/4"	3-4 1/2"	1"	3 1/4"	3-4 1/2"	1"	3 1/4"	3-4 1/2"	1"	3 1/4"	3-4 1/2"	1"	3 1/4"	3-4 1/2"	1"	3 1/4"	3-4 1/2"	1"	3 1/4"	3-4 1/2"	1"	3 1/4"
1028HDP3-RND/SQ	3"	1"	3 1/4"	3"	1"	3 1/4"	3"	1"	3 1/4"	3"	1"	3 1/4"	3"	1"	3 1/4"	4"	1"	3 1/4"	4"	1"	3 1/4"	4"	1"	4"
1028WS-RND/SQ	3"	1"	4"	3"	1"	4"	3"	1"	4"	3"	1"	4"	3"	1"	4"	4"	1"	4"	4"	1"	4"	4"	1"	4"
1028WSP6-RND/SQ	6"	1"	4"	6"	1"	4"	6"	1"	4"	6"	1"	4"	6"	1"	4"	6"	1"	4"	6"	1"	4"	6"	1"	4"
1028EBP-RND/SQ	3"	1"	4"	3"	1"	4"	3"	1"	4"	3"	1"	4"	3"	1"	4"	4"	1"	4"	4"	1"	4"	4"	1"	4"
1028EBPP6-RND/SQ	6"	1"	4"	6"	1"	4"	6"	1"	4"	6"	1"	4"	6"	1"	4"	6"	1"	4"	6"	1"	4"	6"	1"	4"
1029P4-RND/SQ	4"	1"	3 1/2"	4"	1"	3 1/2"	4"	1"	3 1/2"	4"	1"	4"	4"	1"	4"	4"	1"	4"	4"	1"	4"	4"	1"	4"
1029P6-RND/SQ	6"	1"	4"	6"	1"	4"	6"	1"	4"	6"	1"	4"	6"	1"	4"	6"	1"	4"	6"	1"	4"	6"	1"	4"
1030-RND/SQ	3"	1"	3 1/4"	3"	1"	3 1/4"	3"	1"	3 1/4"	3"	1"	3 1/2"	3"	1"	3 1/2"	4"	1"	3 1/2"	4"	1"	3 1/2"	4"	1"	4"
1030P6-RND/SQ	6"	1"	3 1/4"	6"	1"	3 1/4"	6"	1"	3 1/4"	6"	1"	3 1/2"	6"	1"	3 1/2"	6"	1"	3 1/2"	6"	1"	3 1/2"	6"	1"	4"
1030SL-RND/SQ	3"	1/2"	3"	3"	1/2"	3"	3"	1/2"	3"	3"	1/2"	3 1/2"	3"	1/2"	3 1/2"	4"	1/2"	3 1/2"	4"	1/2"	3 1/2"	4"	1/2"	4"
1030SLP6-RND/SQ	6"	1/2"	3"	6"	1/2"	3"	6"	1/2"	3"	6"	1/2"	3 1/2"	6"	1/2"	3 1/2"	6"	1/2"	3 1/2"	6"	1/2"	3 1/2"	6"	1/2"	4"
1033-RND/SQ	3"	1"	3 1/2"	3"	1"	3 1/2"	3"	1"	3 1/2"	3"	1"	3 1/2"	3"	1"	3 1/2"	4"	1"	3 1/2"	4"	1"	3 1/2"	4"	1"	4 1/2"
1033P6-RND/SQ	6"	1"	3 1/2"	6"	1"	3 1/2"	6"	1"	3 1/2"	6"	1"	3 1/2"	6"	1"	3 1/2"	6"	1"	3 1/2"	6"	1"	3 1/2"	6"	1"	4 1/2"
1034-RND/SQ	3"	1"	3 1/4"	3"	1"	3 1/4"	3"	1"	3 1/2"	3"	1"	3 1/2"	3"	1"	3 1/2"	4"	1"	3 1/2"	4"	1"	3 1/2"	4"	1"	4"
1034P6-RND/SQ	6"	1"	3 1/4"	6"	1"	3 1/4"	6"	1"	3 1/2"	6"	1"	3 1/2"	6"	1"	3 1/2"	6"	1"	3 1/2"	6"	1"	3 1/2"	6"	1"	4"
1035-RND/SQ	D2" P3"	1"	2"	D2" P3"	1"	2"	D2" P3"	1"	2"	D3" P3"	1"	2"	D3" P3"	1"	2"	D4" P3"	1"	2"	D4" P3"	1"	2"	D4" P3"	1"	2"
1036-RND/SQ	D2" P3/6"	1"	2"	D2" P3/6"	1"	2"	D2" P3/6"	1"	2"	D3" P3/6"	1"	2"	D3" P3/6"	1"	2"	D4" P4/8"	1"	2"	D4" P4/8"	1"	2"	D4" P4/8"	1"	2"

## Bracket Guide: (continued)

Product # <i>Shaded are Shown in Catalog</i> Refer to Pages 14 & 15 for Pricing	Regular Gauge (1/8" Thick) (Not Heavy Duty)									Heavy Gauge (3/16" Thick) (Heavy Duty)											
	Rod Diameter																				
	1/2"			3/4"			1"			1 1/4"			1 1/2"			1 3/4"			2"		
	P = Projection • W = Back Plate Width • H = Back Plate Height • D = Drop																				
BRACKETS	P	W	H	P	W	H	P	W	H	P	W	H	P	W	H	P	W	H	P	W	H
1038-RND/SQ	4"	1/2"	6 1/2"	4"	1/2"	6 1/2"	4"	1/2"	6 1/2"	4"	1/2"	6 1/2"	4"	1/2"	6 1/2"	4"	1/2"	6 1/2"	4"	1/2"	6 1/2"
1038P6-RND	6"	1/2"	6 1/2"	6"	1/2"	6 1/2"	6"	1/2"	6 1/2"	6"	1/2"	6 1/2"	6"	1/2"	6 1/2"	6"	1/2"	6 1/2"	6"	1/2"	6 1/2"
1040-RND/SQ	3"	1"	3 1/4"	3"	1"	3 1/4"	3"	1"	3 1/4"	3"	1"	3 1/4"	3"	1"	3 1/4"	4"	1"	3 1/4"	4"	1"	4"
1040P6-RND/SQ	6"	1"	3 1/4"	6"	1"	3 1/4"	6"	1"	3 1/4"	6"	1"	3 1/4"	6"	1"	3 1/4"	6"	1"	3 1/4"	6"	1"	3 1/4"
1040HDP3-RND/SQ	3"	1"	3 1/4"	3"	1"	3 1/4"	3"	1"	3 1/4"	3"	1"	3 1/4"	3"	1"	3 1/4"	4"	1"	3 1/4"	4"	1"	4"
1040DBWS-RND/SQ	3 7/8"	1"	4"	3 7/8"	1"	4"	3 7/8"	1"	4"	3 7/8"	1"	4"	3 7/8"	1"	4"	4 7/8"	1"	4"	4 7/8"	1"	4 1/2"
1040DBWS-VS-RND/SQ	Double bracket with support to fit round or square rods. Different diameters for front & back. Our four standard sizes are listed below. Larger diameter rod is in the front.																				
To Fit 3/4" & 1" Dia. Rods				3"	1"	4"	6"	1"	4"												
To Fit 3/4" & 1 1/4" Dia. Rods				3"	1"	4"				6"	1"	4"									
To Fit 1" & 1 1/4" Dia. Rods							3"	1"	4"	6"	1"	4"									
To Fit 1" & 1 1/2" Dia. Rods							3"	1"	4"				6"	1"	4"						
1040EBP-RND/SQ	3"	1"	4"	3"	1"	4"	3"	1"	4"	3"	1"	4"	3"	1"	4"	4"	1"	4"	4"	1"	4"
1040EBPP6-RND/SQ	6"	1"	4"	6"	1"	4"	6"	1"	4"	6"	1"	4"	6"	1"	4"	6"	1"	4"	6"	1"	4"
1040HP-RND/SQ	3"	3"	1"	3"	3"	1"	3"	3"	1"	3"	3"	1"	3"	3"	1"	4"	3"	1"	4"	3"	1"
1040HPP6-RND/SQ	6"	3"	1"	6"	3"	1"	6"	3"	1"	6"	3"	1"	6"	3"	1"	6"	3"	1"	6"	3"	1"
1040WS-RND/SQ	3"	1"	4"	3"	1"	4"	3"	1"	4"	3"	1"	4"	3"	1"	4"	4"	1"	4"	4"	1"	4"
1040WSP6-RND/SQ	6"	1"	4"	6"	1"	4"	6"	1"	4"	6"	1"	4"	6"	1"	4"	6"	1"	4"	6"	1"	4"
1040EXP-RND	3-4 1/2"	1"	3 1/4"	3-4 1/2"	1"	3 1/4"	3-4 1/2"	1"	3 1/4"	3-4 1/2"	1"	3 1/4"	3-4 1/2"	1"	3 1/4"	3-4 1/2"	1"	3 1/4"	3-4 1/2"	1"	3 1/4"
1045 (cat. page 20)	N/A	1/2"	1 1/2"	N/A	1/2"	1 1/2"	N/A	1/2"	1 1/2"	N/A	1/2"	2"	N/A	1/2"	2"	N/A	1/2"	2"	N/A	1/2"	2"
1046	1 1/2"	1"	1 1/4"	1 1/2"	1"	1 1/4"	1 1/2"	1"	1 1/4"	1 1/2"	1"	2"	2"	1"	2"	3"	1"	3"	3"	1"	3"
<b>DECORATIVE BRACKETS</b>																					
1100P3-RND/SQ	3"	1"	3"	3"	1"	3"	3"	1"	3"	3"	1"	3"	3"	1"	3"	4"	1"	3"	4"	1"	3"
1100P6-RND/SQ	6"	1"	3"	6"	1"	3"	6"	1"	3"	6"	1"	3"	6"	1"	3"	6"	1"	3"	6"	1"	3"
1102P3-RND/SQ	3"	1"	3"	3"	1"	3"	3"	1"	3"	3"	1"	3"	3"	1"	3"	4"	1"	3"	4"	1"	3"
1102P6-RND/SQ	6"	1"	3"	6"	1"	3"	6"	1"	3"	6"	1"	3"	6"	1"	3"	6"	1"	3"	6"	1"	3"
1103P3-RND/SQ	3"	1"	3"	3"	1"	3"	3"	1"	3"	3"	1"	3"	3"	1"	3"	4"	1"	3"	4"	1"	3"
1103P6-RND/SQ	6"	1"	3"	6"	1"	3"	6"	1"	3"	6"	1"	3"	6"	1"	3"	6"	1"	3"	6"	1"	3"
1104P3-RND/SQ	3"	1"	3"	3"	1"	3"	3"	1"	3"	3"	1"	3"	3"	1"	3"	4"	1"	3"	4"	1"	3"
1104P6-RND/SQ	6"	1"	3"	6"	1"	3"	6"	1"	3"	6"	1"	3"	6"	1"	3"	6"	1"	3"	6"	1"	3"
1105P3-RND/SQ	3"	1"	3"	3"	1"	3"	3"	1"	3"	3"	1"	3"	3"	1"	3"	4"	1"	3"	4"	1"	3"
1105P6-RND/SQ	6"	1"	3"	6"	1"	3"	6"	1"	3"	6"	1"	3"	6"	1"	3"	6"	1"	3"	6"	1"	3"
1106P3-RND/SQ	3"	1"	3"	3"	1"	3"	3"	1"	3"	3"	1"	3"	3"	1"	3"	4"	1"	3"	4"	1"	3"
1106P6-RND/SQ	6"	1"	3"	6"	1"	3"	6"	1"	3"	6"	1"	3"	6"	1"	3"	6"	1"	3"	6"	1"	3"
<b>RND = Round</b>	Round Hollow, Round Hollow Hammered, Solid Round, Solid Round Hammered, Twist Hollow, Rope, Wood Grain Solid, Fluted, Twist Hollow Hammered, and Wire Rope																				
<b>SQ = Square</b>	Square Hollow, Square Hollow Hammered																				

## Iron Art Rings: Ordering Information

1. Ring diameters are specified for size of rods. Please specify ring size by the size of rod in the order.
2. Rings are made of 1/4" thick solid iron.

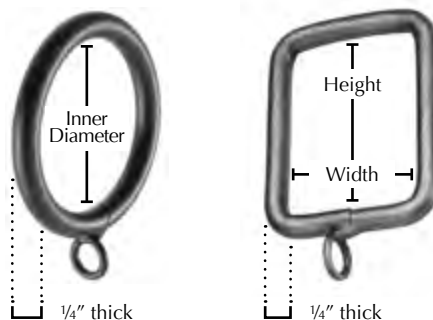
## Iron Art Rings: Page 17 of Catalog

Product # (rod diameter)	Unit	Iron Art Finishes				Custom Finish	Additional Information
		A	B	C	D		
350 (1/2")	EACH	3.50	4.50	5.00	5.50	6.50	1/4" Thick
350 (5/8" - 2")	EACH	4.00	5.00	5.50	6.00	7.00	1/4" Thick
350 (2 1/4" - 3")	EACH	7.50	9.00	10.00	11.00	12.00	1/4" Thick
351 (5/8" - 2")	EACH	5.50	6.00	6.50	7.00	8.50	1/4" Thick
351 (2 1/4" - 3")	EACH	8.50	10.00	11.00	12.00	13.50	1/4" Thick
352 (1/2" - 1")	EACH	5.50	6.00	6.50	7.00	8.00	1/4" Thick
352 (1 1/4" - 2")	EACH	6.00	6.50	7.00	7.50	8.50	1/4" Thick
353 (1/2")	EACH	5.00	6.50	7.00	7.50	8.75	1/4" Thick
353 (5/8" - 2")	EACH	5.50	7.00	8.00	8.50	9.00	1/4" Thick
353 (2 1/4" - 3")	EACH	8.00	10.00	11.00	12.00	14.00	1/4" Thick
354 (1/2")	EACH	6.00	6.50	7.00	7.50	9.00	1/4" Thick
354 (5/8" - 2")	EACH	6.50	7.00	8.00	8.50	9.50	1/4" Thick
354 (2 1/4" - 3")	EACH	8.50	9.00	10.00	11.00	12.00	1/4" Thick
355 (1/2" - 1 1/4")	EACH	5.50	6.00	6.50	7.00	8.50	1/4" Thick
355 (1 3/8" - 2")	EACH	6.00	6.50	7.50	8.00	9.00	1/4" Thick
355 (2 1/4" - 3")	EACH	8.00	9.50	10.50	11.50	13.00	1/4" Thick
356 (1/2")	EACH	4.50	5.00	5.50	6.00	7.00	1/4" Thick
356 (5/8" - 2")	EACH	5.50	6.00	6.50	7.00	8.00	1/4" Thick
356 (2 1/4" - 3")	EACH	7.50	9.00	10.00	11.00	12.50	1/4" Thick

## Iron Art Rings: A Guide to Sizes

		Round Rings						Square Rings	
Rod/Pole Outer Diameter	Ring Inner Diameter*	350	351	353	354	355	356	Ring Width & Height Inner Dimensions	352
1/2"	3/4"	Y	N	N	N	N	N	N/A	N
1/2"	1"	Y	N	Y	Y	Y	Y	3/4" x 1 1/8"	Y
5/8" - 3/4"	1 1/4"	Y	Y	Y	Y	Y	Y	1" x 1 1/2"	Y
7/8" - 1"	1 1/2"	Y	Y	Y	Y	Y	Y	1 1/4" x 1 3/4"	Y
1 1/4"	1 3/4"	Y	Y	Y	Y	Y	Y	1 1/2" x 2"	Y
1 3/8" - 1 1/2"	2"	Y	Y	Y	Y	Y	Y	2" x 2 1/2"	Y
1 3/4 - 2"	2 1/2"	Y	Y	Y	Y	Y	Y	2 1/2" x 3"	Y
2 1/4" - 2 1/2"	3"	Y	Y	Y	Y	Y	Y	N/A	N
3"	3 1/2"	Y	N	Y	Y	Y	Y	N/A	N

\*We recommend the ring inner diameter to be 1/2" larger than the rod diameter. Y = Available, N = Not Available



## Swing Arms: Ordering Information

1. Please specify left or right orientation and length with end finial included.
2. Swing arm pricing is for the configurations pictured in the catalog only.
  - a. Swing arm #1093 is shown with a movable finial Product #929MV (page 8), which is an additional charge and is **NOT** included in the swing arm price.
  - b. Swing arm #1094 includes five equally spaced eyelets in the price. Additional eyelets are available. Please add Product #317 for each additional eyelet.
3. Mounting plates are available as R1, R2, and D3 styles, and are interchangeable upon request at no additional cost.
4. Swing arm support brackets are available as shown in the catalog. Please add Product #1099 to the order.
5. Please refer to minimum lengths as specified in the catalog.
6. Measurements are based from the end of the back plate to the outer tip of the finial.
7. Standard projection is 1/2". Please specify Product #1097 for a 3" projection and #1098 for a 6" projection.
8. Any finial can be utilized. Please add the finial price to the swing arm price.

## Swing Arms: Page 17 of Catalog

Product # / Size	Unit	Iron Art Finishes				Custom Finish	Additional Information
		A	B	C	D		
<b>1074 - 1/2" Diameter Round Rods</b>							
12" Length	EACH	38	48	53	57	66	Max. Weight for 1/2" Dia.: 3lbs.
18" Length	EACH	44	56	62	66	77	Max. Weight for 1/2" Dia.: 3lbs.
24" Length	EACH	50	64	71	76	88	Max. Weight for 1/2" Dia.: 3lbs.
30" Length	EACH	50	64	71	76	88	Max. Weight for 1/2" Dia.: 3lbs.
36" Length	EACH	55	70	76	82	96	Max. Weight for 1/2" Dia.: 3lbs.
<b>1074A - 3/4" Diameter Round Rods</b>							
12" Length	EACH	42	54	59	63	74	Max. Weight for 3/4" Dia.: 5lbs.
18" Length	EACH	46	59	65	69	81	Max. Weight for 3/4" Dia.: 5lbs.
24" Length	EACH	53	67	74	79	92	Max. Weight for 3/4" Dia.: 5lbs.
30" Length	EACH	55	70	76	82	96	Max. Weight for 3/4" Dia.: 5lbs.
36" Length	EACH	61	78	85	91	107	Max. Weight for 3/4" Dia.: 5lbs.
<b>1075 - 3/4" Diameter Round Rods - Minimum Length is 18"</b>							
18" Length	EACH	82	104	115	123	143	Max. Weight for 3/4" Dia.: 5lbs.
24" Length	EACH	86	110	121	129	151	Max. Weight for 3/4" Dia.: 5lbs.
30" Length	EACH	95	120	132	142	165	Max. Weight for 3/4" Dia.: 5lbs.
36" Length	EACH	101	129	141	151	176	Max. Weight for 3/4" Dia.: 5lbs.
<b>1090 - 5/8" Diameter Twist Hollow Rods</b>							
12" Length	EACH	55	70	77	83	96	Max. Weight for 5/8" Dia.: 3lbs.
18" Length	EACH	61	78	85	91	107	Max. Weight for 5/8" Dia.: 3lbs.
24" Length	EACH	67	86	94	101	118	Max. Weight for 5/8" Dia.: 3lbs.
30" Length	EACH	71	91	100	107	125	Max. Weight for 5/8" Dia.: 3lbs.
36" Length	EACH	78	99	109	117	136	Max. Weight for 5/8" Dia.: 3lbs.

## Swing Arms: Page 17 of Catalog (continued)

Product # / Size	Unit	Iron Art Finishes				Custom Finish	Additional Information
		A	B	C	D		
<b>1091 - 3/4" Diameter Round Rods - Minimum Length is 36"</b>							
<b>36" Length</b>	EACH	<b>149</b>	<b>190</b>	<b>209</b>	<b>224</b>	<b>261</b>	Max. Weight for 3/4" Dia.: 5lbs.
<b>40" Length</b>	EACH	<b>155</b>	<b>198</b>	<b>218</b>	<b>233</b>	<b>272</b>	Max. Weight for 3/4" Dia.: 5lbs.
<b>48" Length</b>	EACH	<b>164</b>	<b>209</b>	<b>229</b>	<b>246</b>	<b>287</b>	Max. Weight for 3/4" Dia.: 5lbs.
<b>1092 3/4" Diameter Round Rods - Minimum Length is 18"</b>							
<b>18" Length</b>	EACH	<b>118</b>	<b>150</b>	<b>165</b>	<b>176</b>	<b>206</b>	Max. Weight for 3/4" Dia.: 5lbs.
<b>24" Length</b>	EACH	<b>122</b>	<b>155</b>	<b>171</b>	<b>183</b>	<b>213</b>	Max. Weight for 3/4" Dia.: 5lbs.
<b>30" Length</b>	EACH	<b>128</b>	<b>163</b>	<b>179</b>	<b>192</b>	<b>224</b>	Max. Weight for 3/4" Dia.: 5lbs.
<b>36" Length</b>	EACH	<b>134</b>	<b>171</b>	<b>188</b>	<b>202</b>	<b>235</b>	Max. Weight for 3/4" Dia.: 5lbs.
<b>1093 - 1" Diameter Round Rods (Birds not included. Add Product #929MV on page 8)</b>							
<b>12" Length</b>	EACH	<b>82</b>	<b>104</b>	<b>115</b>	<b>123</b>	<b>143</b>	Max. Weight for 1" Dia.: 5lbs.
<b>18" Length</b>	EACH	<b>86</b>	<b>110</b>	<b>121</b>	<b>129</b>	<b>151</b>	Max. Weight for 1" Dia.: 5lbs.
<b>24" Length</b>	EACH	<b>90</b>	<b>115</b>	<b>126</b>	<b>135</b>	<b>158</b>	Max. Weight for 1" Dia.: 5lbs.
<b>30" Length</b>	EACH	<b>97</b>	<b>123</b>	<b>135</b>	<b>145</b>	<b>169</b>	Max. Weight for 1" Dia.: 5lbs.
<b>36" Length</b>	EACH	<b>99</b>	<b>126</b>	<b>138</b>	<b>148</b>	<b>173</b>	Max. Weight for 1" Dia.: 5lbs.
<b>1094 - 1/2" Square Solid Rods</b>							
<b>12" Length</b>	EACH	<b>130</b>	<b>166</b>	<b>182</b>	<b>195</b>	<b>228</b>	Max. Weight for 1/2" Dia.: 3lbs. 5 Eyelets Included
<b>18" Length</b>	EACH	<b>134</b>	<b>171</b>	<b>188</b>	<b>202</b>	<b>235</b>	Max. Weight for 1/2" Dia.: 3lbs. 5 Eyelets Included
<b>24" Length</b>	EACH	<b>139</b>	<b>177</b>	<b>194</b>	<b>208</b>	<b>243</b>	Max. Weight for 1/2" Dia.: 3lbs. 5 Eyelets Included
<b>30" Length</b>	EACH	<b>143</b>	<b>182</b>	<b>200</b>	<b>214</b>	<b>250</b>	Max. Weight for 1/2" Dia.: 3lbs. 5 Eyelets Included
<b>36" Length</b>	EACH	<b>151</b>	<b>193</b>	<b>212</b>	<b>227</b>	<b>265</b>	Max. Weight for 1/2" Dia.: 3lbs. 5 Eyelets Included
<b>317</b>	EACH	<b>12</b>	<b>14</b>	<b>15</b>	<b>16</b>	<b>18</b>	Eyelet Charge
<b>1097</b>	EACH	<b>28</b>	<b>36</b>	<b>39</b>	<b>42</b>	<b>49</b>	3" Projection Bracket
<b>1098</b>	EACH	<b>32</b>	<b>41</b>	<b>45</b>	<b>48</b>	<b>56</b>	6" Projection Bracket
<b>1099</b>	EACH	<b>16</b>	<b>20</b>	<b>22</b>	<b>24</b>	<b>28</b>	Support Bracket

## Tiebacks / Swag Holders: Ordering Information

1. All finials - with the exception of Eclectic Collection, Milano Collection (#2094 and #2095), and Provence Collection - can be utilized to make tiebacks and swag holders.  
Please add product #1087 for "U" Shape Bend or #1088 for Expandable Post Projection.
2. Tiebacks and swag holders are available as "U" Shape Bend (3½" projection) and Expandable Post Projection (3" to 4½" projection).
3. Please specify center facing or vertical orientation of Expandable Post Projection Tieback in the order.
4. Please specify left or right orientation of tiebacks and swag holders, as applicable.
5. Tiebacks and swag holders can be used as finials.

## Tiebacks / Swag Holders: Pages 18 & 19 of Catalog

Product #	Unit	Iron Art Finishes				Custom Finish	Additional Information
		A	B	C	D		
715	EACH	30	38	42	45	53	Specify Left or Right
716	EACH	39	49	54	58	68	Specify Left or Right
929 TB	EACH	34	44	48	52	60	Specify Left or Right
933 TB	EACH	34	44	48	52	60	Only Available as Shown in Catalog
977	EACH	32	41	45	48	56	
1003	EACH	32	41	45	48	56	
1004	EACH	32	41	45	48	56	
1005	EACH	45	58	63	68	79	
1006	EACH	46	59	65	69	81	Only Available as "U" Shape Bend
1007	EACH	45	58	63	68	79	
1008	EACH	52	66	72	77	90	
1013	EACH	26	33	36	39	45	
1026	EACH	35	45	49	53	62	
1031	EACH	31	39	43	46	54	
1032	EACH	37	48	52	56	65	Specify Left or Right
1037	EACH	40	50	55	59	69	Specify Left or Right
1039	EACH	41	52	57	61	71	Specify Left or Right
1057	EACH	41	52	57	61	71	
1058	EACH	41	52	57	61	71	
1059	EACH	30	38	42	45	53	
1060	EACH	30	38	42	45	53	
1061	EACH	39	49	54	58	68	
1063	EACH	37	47	52	55	64	
1064	EACH	34	44	48	52	60	
1065	EACH	28	36	39	42	49	Only Available as Shown in Catalog
1066	EACH	34	44	48	52	60	
1067	EACH	49	63	69	74	87	
1068	EACH	41	52	57	61	71	Specify Left or Right

## Tiebacks / Swag Holders: Page 19 of Catalog (continued)

Product #	Unit	Iron Art Finishes				Custom Finish	Additional Information
		A	B	C	D		
1069	EACH	56	71	78	84	98	Specify Left or Right
1070	EACH	43	55	60	65	75	Specify Left or Right
1071	EACH	43	55	60	65	75	Hand Forged
1072	EACH	40	51	56	60	70	
1073	EACH	32	41	45	48	56	
1076	EACH	34	44	48	52	60	
1077	EACH	34	44	48	52	60	
1078	EACH	39	50	55	59	68	
1079	EACH	41	53	58	62	72	
1080	EACH	42	53	59	63	73	
1081	EACH	32	41	45	48	56	Only Available as Shown in Catalog
1082	EACH	34	44	48	52	60	
1083	EACH	30	38	42	45	53	
1084	EACH	37	47	51	55	64	
1085	EACH	47	60	66	71	83	
1086	EACH	21	26	29	31	36	
1087	EACH	19	25	27	29	34	"U" Shape Bend Charge for Finials 3½" Projection
1088	EACH	19	25	27	29	34	Expandable Post Projection Charge for Finials: 3"-4½" Projection
2087	EACH	15	19	21	22	26	"U" Shape Bend Tieback

## Batons: Ordering Information

- Batons come with finials as shown in the catalog.
  - Any finial can be utilized. Please add finial price to the baton price.
- Please specify length of the baton in the order.
- Please specify the hook style as ring or clip in the order. Ring style hooks are available with or without an additional eyelet. Please specify your preference in the order.
- Baton #1017 is ¼" diameter. All other batons are ½" diameter.

## Batons: Pages 19 & 60 of Catalog

For All Batons: #1015, #1016, #1017, #1018, #1019 and #1020

Length	Unit	Iron Art Finishes				Custom Finish	Additional Information
		A	B	C	D		
12"-24"	EACH	37	47	52	55	64	
25"-48"	EACH	44	56	61	66	76	
49"-72"	EACH	58	73	81	86	101	
73"-84"	EACH	71	91	100	107	125	
85"-108"	EACH	87	111	122	131	153	

*Baton #1016 is available as #1014 in Italian Finishes. Please see page 58.  
Additional Clips Available for \$2.00 each, item #1022*



## Unique Collection: Ordering Information

- The By Pass System utilizes "C" rings, available as Product #330C. Rings are available as follows:
  - 1¼" inner diameter for ¾" rods
  - 1½" inner diameter for 1" rods
  - 1¾" inner diameter for 1¼" rods
  - 2" inner diameter for 1½" rods
  - 2½" inner diameter for 2" rods
  - 4" inner diameter for 3" rods.
- Only straight Round Hollow Rods with ¾", 1", 1¼", 1½", 2", and 3" diameters can be utilized with the By Pass System. Please refer to the rods section in the catalog (page 15), and the price list (page 12).
- Bent rods or rods with elbows can **NOT** be utilized.
- To ensure proper operation:
  - Please utilize brackets from this collection only.
  - Drapes must be heavy enough to keep the eyelet pointed toward the ground (6 o'clock).
  - Rods must not be bowed. Be sure to use enough support brackets.
  - Ensure rods are level.

## Unique Collection (By Pass System): Page 20 of Catalog

Product #	Unit	Iron Art Finishes				Custom Finish	Additional Information
		A	B	C	D		
318SC	EACH	21	27	29	32	37	Center Support Bracket Single 3" Projection
318SC-6P	EACH	25	32	35	38	44	Center Support Bracket Single 6" Projection
319DC	EACH	41	53	58	62	72	Center Support Bracket Double 3" and 6" Projections
330C	EACH	6	7	8	9	11	"C" Ring to Match Rod Sizes
1028SE	EACH	21	26	29	31	36	End Bracket / Single 3" Projection
1028SE-6P	EACH	25	31	35	37	43	End Bracket / Single 6" Projection
1024DE	EACH	37	47	52	55	64	End Bracket Double 3" & 6" Projections

See page 58 for Unique Collection in Italian Finishes.

## Oasis Collection: Ordering Information

- Expandable set pricing is for the configurations pictured in the catalog only.
- All sets include rods, finials, and brackets. Please order rings separately.
  - Brackets are the standard bracket #1028 on page 16 of the catalog, with a 3" projection.
  - Rod lengths exclude finials. Please refer to finial specifications in the finial section of the catalog.
- Expandable sets come as a 1" and 7/8" diameter straight Round Hollow Rod combination and can **NOT** be bent.
- Finials are welded on the rods.

## Oasis Collection (Expandable Sets): Page 20 of Catalog

Product Set Lengths	Unit	Iron Art Finishes				Custom Finish	Additional Information
		A	B	C	D		
Small: 27" - 48"	SET	116	147	162	173	202	Style as Shown in Catalog
Medium: 45" - 82"	SET	141	179	197	211	246	Style as Shown in Catalog
Large: 81" - 118"	SET	183	233	256	274	320	Style as Shown in Catalog
Extra Large: 117" - 154"	SET	223	284	312	334	390	Style as Shown in Catalog

## Milano Collection: Ordering Information

*The Milano Collection is available while supplies last.*

1. The Milano Collection is available in 5/8" Hollow Round Rods only.
2. Finials can be utilized to make "U" Shape Bend tiebacks. Please add Product #2087 to the finial price.
3. Brackets #2080 and #2081 are designed for standard wood headrail support.  
Please see the image in the catalog (page 21). Brackets are 3/4" wide.

### Milano Collection (Roman Shades on Hardware): Page 21 of Catalog

Product #	Unit	Iron Art Finishes				Satin Brass	Custom Finish	Additional Information
		A	B	C	D			
2070	EACH	17	21	24	25	21	29	Interior Fit Only
2071	EACH	11	13	15	16	13	18	Interior Fit Only
2072	EACH	11	13	15	16	13	18	Interior Fit Only
2073	EACH	13	16	18	19	16	22	Interior Fit Only
2074	EACH	25	32	35	38	32	44	Interior Fit Only
2075	EACH	27	35	38	41	35	48	Interior Fit Only
2080	EACH	13	16	18	19	N/A	22	Headrail Support Bracket 2" Projection
2081	EACH	13	16	18	19	N/A	22	Headrail Support Bracket 3" Projection
2082	EACH	15	19	21	22	N/A	26	Single Bracket / 2" Projection
2083	EACH	15	19	21	22	N/A	26	Single Bracket / 3" Projection
2084	EACH	17	21	24	25	N/A	29	Double Bracket 3" and 6" Projections
2087	EACH	15	19	21	22	N/A	26	"U" Shape Bend Tieback
2088	EACH	5	6	7	7	N/A	9	Extended Eyelet Ring
2094	EACH	50	64	71	76	N/A	N/A	Exterior Fit Only
2095	EACH	50	64	71	76	N/A	N/A	Exterior Fit Only

N/A = Not Available

## Fina Collection: Ordering Information

1. Fina Collection finials are available for 1/2" diameter Round Hollow Rods only.
2. Finials are available as exterior fit only.
3. Rod and rings are **NOT** included.

### Fina Collection (Thin Line Hardware): Page 21 of Catalog

Product #	Unit	Iron Art Finishes				Custom Finish	Additional Information
		A	B	C	D		
1041 P1	EACH	15	19	21	22	26	1" Projection Bracket
1041 P2	EACH	19	24	26	28	33	2" Projection Bracket
2010	EACH	13	16	18	19	22	Exterior Fit Only
2015	EACH	15	19	21	22	26	Exterior Fit Only
2020	EACH	18	22	25	26	31	Exterior Fit Only
2025	EACH	15	19	21	22	26	Exterior Fit Only
2030	EACH	16	21	23	24	28	Exterior Fit Only
2040	EACH	13	16	18	19	22	Exterior Fit Only
2050	EACH	13	16	18	19	22	Exterior Fit Only
2060	EACH	17	21	24	25	29	Exterior Fit Only
2087	EACH	15	19	21	22	26	"U" Shape Bend Tieback

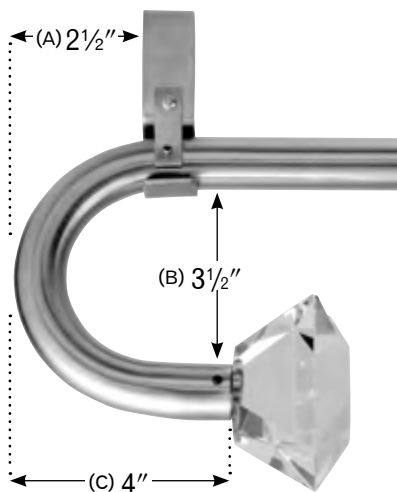
## 3D Drapery Hardware: Ordering Information

1. Use with single or double rod systems.
  - a. Order your rod length tip to tip.
  - b. Back rods in the double rod system are the same length as the front rod, including their end caps.
2. Works with 1" round hollow rods in smooth or hammered styles.
  - a. Smooth styles available in 35 Iron Art™ finishes or 5 Italian Collection finishes (excludes Polished Chrome).
  - b. Hammered styles available in 35 Iron Art™ finishes.
  - c. Custom finishes available for smooth or hammered styles.
3. Choose from any style of ring. By Pass rings may only be used with smooth style rods.
4. Choose from any style of bracket. Brackets ordered for use with the 3D system will include lids and set screws.
5. Choose from almost any Iron Art™ finial, all Italian finials, and all Bohemia Crystal finials. Because of their size and branch shape, we don't recommend the 3D system for use with Iron Art™ finials #410, #416, #506, #711, #939, #954, #979 and #982, and Village Forge finials #600, #601, #603 and #606.
6. Optional master carrier sets work with center open draperies and rings for complete drapery closure in the front.

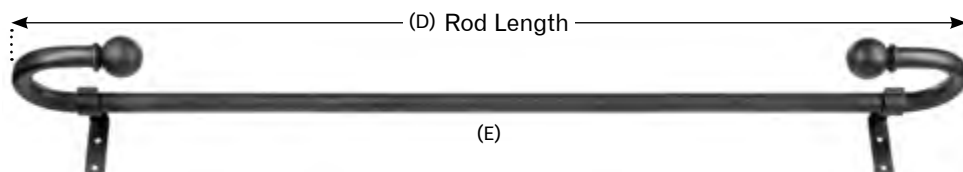
## 3D Drapery Hardware: Pages 22 - 25 of Catalog

Description	Product #	Unit	Price	Sets Include:
3D Single Kit for Iron Art Finishes	3D-SIA	EACH	42	<ul style="list-style-type: none"> <li>• Two 180° U-Bends for one iron rod.</li> <li>• Two straight master carriers for rings.</li> <li>• Four rings (two for each straight carrier).</li> </ul>
3D Single Kit for Italian Finishes	3D-SIT	EACH	50	<ul style="list-style-type: none"> <li>• Two 180° U-Bends for one iron rod.</li> <li>• Four straight master carriers for rings.</li> <li>• Eight rings (two for each straight carrier).</li> <li>• Two end caps for one back rod.</li> </ul>
3D Double Kit for Iron Art Finishes	3D-DIA	EACH	58	<ul style="list-style-type: none"> <li>• Two 180° U-Bends for one iron rod.</li> <li>• Four straight master carriers for rings.</li> <li>• Eight rings (two for each straight carrier).</li> <li>• Two end caps for one back rod.</li> </ul>
3D Double Kit for Italian Finishes	3D-DIT	EACH	70	<ul style="list-style-type: none"> <li>• Two 180° U-Bends for one iron rod.</li> <li>• Four straight master carriers for rings.</li> <li>• Eight rings (two for each straight carrier).</li> <li>• Two end caps for one back rod.</li> </ul>
Overlap Master Carrier Set in Iron Art Finishes	MCS-IA	EACH	16	<ul style="list-style-type: none"> <li>• One straight master carrier for rings.</li> <li>• One overlap master carrier for rings.</li> <li>• Four rings (two for each carrier).</li> </ul>
Overlap Master Carrier Set in Italian Finishes	MCS-IT	EACH	23	<ul style="list-style-type: none"> <li>• One straight master carrier for rings.</li> <li>• One overlap master carrier for rings.</li> <li>• Four rings (two for each carrier).</li> </ul>

## 3D Drapery Hardware: Measurement Guidelines



- A) The distance from the end of the straight rod to the edge of the curve is 2½".
- B) The U-Bend projection is 3½".
- C) The front face of the U-Bend is 4" long, not including the finial.
- D) Order your rod length tip to tip.
- E) Available in 1" diameter round hollow smooth or hammered styles, single or double rod systems. Back rods in the double rod system are the same length as the front rod, including their end caps.



## Tropical Collection: Ordering Information

### FINIALS (Page 26 of the catalog)

- Any finial can be utilized for making a "U" Shape Bend tieback. Please add Product #9060 to the order.

### CORNICES (Page 26 of the catalog)

- Cornices can be fabricated in 3½" and 5½" height only, and can **NOT** be bent.
- For additional details please refer to the Tuscany Collection (Decorative Metal Cornices) ordering information (page 30).

### RODS (Page 27 of the catalog)

- Rods can be bent. Please add Product #9020BT or #9022BT to the order.  
Please send a template for approval to bend 2" diameter rods.
- The Bamboo Swirl Rod (Product #9022) is decorative only, and is not meant to be used with rings nor with panels that will be moved.
- The Bamboo Swirl Rod (Product #9022) can be bent. Please add Product #9022BT to the order.  
Please send a template for approval to bend 2" diameter rods.

### SWING ARMS (Page 27 of the catalog)

- Swing arms are supplied with a bamboo cap finial (Product #9004) only.
- Please specify the length with the finial included.
- The standard projection is ½". Please add Product #1097 (page 20) for a 3" projection or Product #1098 (page 20) for a 6" projection.
- Swing arm support brackets are available as shown in the catalog. Please add Product #1099 (page 20) to the order.

### BATONS (Page 27 of the catalog)

- Please specify hook style as ring or clip in the order.
- Batons are finished at the end as shown. No finials are included.

### BRACKETS (Page 27 of the catalog)

- Brackets are available in 3" projection (Product #9010), 6" projection (Product #9011), double (3"/6") projection (Product #9012), and traverse (Product #1263).

### RINGS (Page 27 of the catalog)

- There are two types of bamboo rings; round (Product #9025) and flat (Product #9029).

### FINISHES (Page 27 of the catalog)

- Tropical Collection finishes are only available for this collection.

## Tropical Collection (Bamboo on Iron): Pages 26 & 27 of Catalog

Product #	Unit	Iron Art Finishes				Tropical Finishes	Custom Finish	Additional Information
		A	B	C	D			
1263ST6	EACH	32	40	44	47	44	55	Single Traverse / Rod Combination 6" Projection / Light Drapes
1263DT	EACH	34	43	47	50	47	59	Double Traverse / Rod Combination: 4½- 5½" and 7½" Projections / Light Drapes
8006	EACH	20						Tropical Bamboo Finish Selector Set
9000	EACH	121	154	169	182	169	212	Iron Finial / Interior Fit Only
9001	EACH	108	137	151	162	151	189	Iron Finial / Interior Fit Only
9002	EACH	106	135	148	158	148	185	Iron Finial / Interior Fit Only
9003	EACH	50	64	71	76	71	88	Resin Finial / Interior Fit Only
9004	EACH	25	32	35	38	35	44	Iron Finial / Interior Fit Only
9005	EACH	50	64	71	76	71	88	Iron Finial / Interior Fit Only
9010	EACH	40	51	56	60	56	70	Single Bracket / 3" Projection
9011	EACH	42	54	59	63	59	74	Single Bracket / 6" Projection
9012	EACH	63	80	88	95	88	110	Double Bracket 3" and 6" Projections
<b>9020 Straight Hollow Rods</b>								
¾" Dia.	FOOT	25	32	35	38	35	44	Can be Bent
1" Dia.	FOOT	27	35	38	41	38	48	Can be Bent
1¼" Dia.	FOOT	29	37	41	44	41	51	Can be Bent
1½" Dia.	FOOT	34	43	47	50	47	59	Can be Bent
2" Dia.	FOOT	38	48	53	57	53	66	Template Approval Required to Bend
9020BT	FOOT	22	22	22	22	22	22	Product #9020 Rod Bending Charge

## Tropical Collection (Bamboo on Iron): Pages 26 & 27 of Catalog

Product #	Unit	Iron Art Finishes				Tropical Finishes	Custom Finish	Additional Information
		A	B	C	D			
<b>9022 Decorative Rods - Bamboo Swirl</b>								
<b>¾" Dia.</b>	FOOT	<b>42</b>	<b>54</b>	<b>59</b>	<b>63</b>	<b>59</b>	<b>74</b>	Can be Bent
<b>1" Dia.</b>	FOOT	<b>44</b>	<b>56</b>	<b>62</b>	<b>66</b>	<b>62</b>	<b>77</b>	Can be Bent
<b>1¼" Dia.</b>	FOOT	<b>46</b>	<b>59</b>	<b>65</b>	<b>69</b>	<b>65</b>	<b>81</b>	Can be Bent
<b>1½" Dia.</b>	FOOT	<b>48</b>	<b>62</b>	<b>68</b>	<b>72</b>	<b>68</b>	<b>85</b>	Can be Bent
<b>2" Dia.</b>	FOOT	<b>50</b>	<b>64</b>	<b>71</b>	<b>76</b>	<b>71</b>	<b>88</b>	Template Approval Required to Bend
<b>9022BT</b>	FOOT	<b>24</b>	<b>24</b>	<b>24</b>	<b>24</b>	<b>24</b>	<b>24</b>	Product #9022 Rod Bending Charge
<b>9025</b>	EACH	<b>9</b>	<b>11</b>	<b>12</b>	<b>13</b>	<b>12</b>	<b>15</b>	Round Ring / ¾" Thick 1⅜", 1⅞", 2½", and 3" Inner Diameters
<b>9029</b>	EACH	<b>11</b>	<b>13</b>	<b>15</b>	<b>16</b>	<b>15</b>	<b>18</b>	Flat Ring / ¾" Wide 1⅜", 1⅞", 2½", and 3" Inner Diameters
<b>9040S</b>	FOOT	<b>84</b>	<b>107</b>	<b>118</b>	<b>126</b>	<b>118</b>	<b>147</b>	Decorative Cornice 3½" High
<b>9040D</b>	FOOT	<b>116</b>	<b>147</b>	<b>162</b>	<b>173</b>	<b>162</b>	<b>202</b>	Decorative Cornice 5½" High
<b>9046</b>	FOOT	<b>53</b>	<b>67</b>	<b>74</b>	<b>79</b>	<b>74</b>	<b>92</b>	Swing Arm
<b>9050</b>	EACH	<b>84</b>	<b>107</b>	<b>118</b>	<b>126</b>	<b>118</b>	<b>147</b>	38" Baton
<b>9060</b>	EACH	<b>19</b>	<b>24</b>	<b>26</b>	<b>28</b>	<b>26</b>	<b>33</b>	"U" Shape Bend Tieback

## Burgundy Collection: Ordering Information

1. Templates need to be provided with orders for bent rods. Please specify if bracket deductions are needed. If not specified, template will be used as rod size.
2. Products #280, #281, #282, and #283 are only available as shown in the catalog and can **NOT** be bent.
3. Products #252, #253, and #255 can be bent.  
Please add Product #286 for the bending charge (per foot) to the order.
4. Standard returns are 3" and 6". Other return sizes are available upon request.
5. Finials can be utilized with Products #252, #253, #254, #280, #281, #282, #283, #284, and #285 with ¾" diameter and above rods. Please order finials separately.
6. Mounting plates are included in all styles except Products #252, #253, #254, and #254B.  
Please order brackets separately.
7. Products #284 and #285 can be configured to any length, and include end brackets in the pricing.  
Any center support brackets required must be ordered separately.

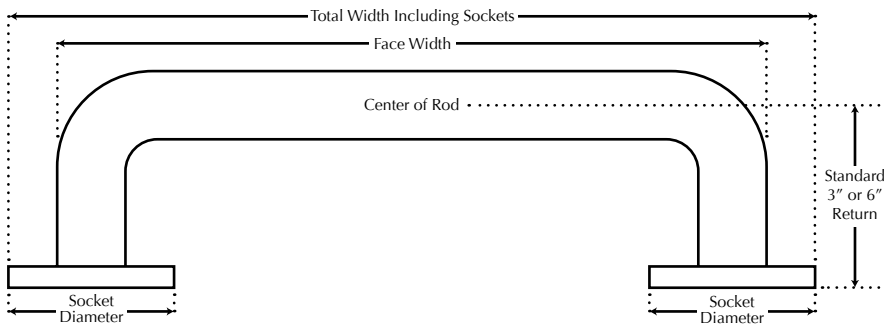
## Burgundy Collection (Decorative Rods): Pages 28 & 29 of Catalog

Product #	Unit	Iron Art Finishes				Custom Finish	Additional Information
		A	B	C	D		
<b>251</b>	FOOT	<b>42</b>	<b>54</b>	<b>59</b>	<b>63</b>	<b>74</b>	Mounting Plates Included
<b>251B</b>	FOOT	<b>50</b>	<b>64</b>	<b>71</b>	<b>76</b>	<b>88</b>	Bent / Mounting Plates Included
<b>252</b>	FOOT	<b>34</b>	<b>43</b>	<b>47</b>	<b>50</b>	<b>59</b>	Order Brackets Separately
<b>253</b>	FOOT	<b>27</b>	<b>35</b>	<b>38</b>	<b>41</b>	<b>48</b>	Order Brackets Separately
<b>254</b>	FOOT	<b>32</b>	<b>40</b>	<b>44</b>	<b>47</b>	<b>55</b>	Order Brackets Separately
<b>254B</b>	FOOT	<b>40</b>	<b>51</b>	<b>56</b>	<b>60</b>	<b>70</b>	Bent / Order Brackets Separately
<b>255</b>	FOOT	<b>34</b>	<b>43</b>	<b>47</b>	<b>50</b>	<b>59</b>	Mounting Plates Included
<b>256</b>	FOOT	<b>29</b>	<b>37</b>	<b>41</b>	<b>44</b>	<b>51</b>	Mounting Plates Included
<b>256B</b>	FOOT	<b>34</b>	<b>43</b>	<b>47</b>	<b>50</b>	<b>59</b>	Bent / Mounting Plates Included
<b>257</b>	FOOT	<b>38</b>	<b>48</b>	<b>53</b>	<b>57</b>	<b>66</b>	Mounting Plates Included

## Burgundy Collection (Decorative Rods): Pages 28 & 29 of Catalog (continued)

Product #	Unit	Iron Art Finishes				Custom Finish	Additional Information
		A	B	C	D		
257B	FOOT	46	59	65	69	81	Bent / Mounting Plates Included
264	FOOT	32	40	44	47	55	Includes Sockets
264D	FOOT	40	51	56	60	70	Decorative Rod / Includes Sockets
280	EACH	399	509	559	599	698	Mounting Plates Included
281	EACH	326	415	456	488	570	Mounting Plates Included
282	EACH	305	388	426	457	533	Mounting Plates Included
283	EACH	252	321	353	378	441	Mounting Plates Included
284	FOOT	44	56	62	66	77	Order Center Support Brackets Separately
285	FOOT	44	56	62	66	77	Order Center Support Brackets Separately
286	FOOT	24	24	24	24	24	Bend Charge for #252, #253, & #255

*3/4" to 2" Round Hollow Rods included in the price for Products #264, #264D, #280, #281, #282, #283, #284 and #285. Order rings separately.*



Widths given for Rods with Returns (#264, #264D & #7007) will include sockets. If you prefer to give the Face Width, please be sure to specify this is the dimension you are providing in your order.

Standard returns are 3" and 6". If not specified, 3" will be provided. Other return sizes are available upon request.

Socket Diameters are as follows:

Rod Diameter	Socket Diameter
Up to 1"	2"
1 1/4"	2 1/4"
1 1/2"	2 1/2"
2"	3"

## Mediterranean Collection: Ordering Information

- Product includes mounting plates with three options. Please specify mounting plate selection in the order.
  - Wall Mounting Plate, with 3" to 5" expandable projection.
  - Wood Duster Mounting Plate.
  - Flush Mount against the wall.
- To reduce the weight of the product, the Mediterranean Collection is fabricated in aluminum.

## Mediterranean Collection (Decorative Crowns): Page 30 of Catalog

Product #	Unit	Iron Art Finishes				Custom Finish	Additional Information
		A	B	C	D		
4001	EACH	194	247	271	290	339	Servena
4002	EACH	155	198	218	233	272	Castilla
4003	EACH	151	193	212	227	265	Camilla
4004	EACH	105	134	147	158	184	Sofia
4005	EACH	158	201	221	236	276	Mallorca
4006	EACH	162	206	226	243	283	Valencia
4007	EACH	116	147	162	173	202	Minerva
4008	EACH	174	222	244	261	305	Isabelle
4009	EACH	191	244	268	287	334	Asha
4010	EACH	191	244	268	287	334	Seville
4011	EACH	191	244	268	287	334	Morning Glory

## Vienna Collection: Ordering Information

1. Please specify measurements from tip to tip.
2. 3" or 6" projection mounting plates and 5 equally space knobs are included. Please specify projection in your order. For additional knobs, please add Product #313 to the order.
3. Please specify left or right orientation of the decorative scroll if applicable.
4. Please refer to minimum and maximum lengths as specified.

## Vienna Collection (Decorative Scrolls): Page 30 of Catalog

Product #	Unit	Iron Art Finishes				Custom Finish	Additional Information
		A	B	C	D		
250	FOOT	200	255	280	300	350	Min. Length: 16" / Specify Left or Right
266	FOOT	150	191	210	225	263	Min. Length: 17" / Max. Length: 48" Specify Left or Right
267	FOOT	220	281	308	330	385	Min. Length: 27" / Max. Length: 48" Specify Left or Right
268	FOOT	230	293	322	345	403	Min. Length: 16" / Specify Left or Right
269	FOOT	230	293	322	345	403	Min. Length: 16" / Specify Left or Right
270	FOOT	240	306	336	360	420	Minimum Length: 16"
313	EACH	6	8	9	10	12	Additional Knob

## Renaissance Collection: Ordering Information

1. Pricing for this product is by the panel. Please specify mounting plate selection in the order.
2. Product is shipped as unconnected panels. Connectors are provided for assembly.
3. Product includes mounting plates with three options:
  - a. Wall Mounting Plate, with 3" to 5" expandable projection.
  - b. Wood Duster Mounting Plate.
  - c. Flush Mount (**Connectors are not provided. Simply push the panels together upon installation.**)
4. Decorative cornices can be customized in length by cutting panels. Please add the Product #9131 charge to the order. Any cut panel is charged as a full panel.
  - a. We will not be liable for any design considerations when customizing decorative cornices.  
If the location of the cut on the panel is vital, please provide a drawing for our production staff to follow.
5. All styles are available with returns and mounting plates. Add Product #9130 with the order.  
Minimum projection available is 3"; maximum projection available is 6". Specify projection when ordering.
6. To reduce the weight of the product, the Renaissance Collection is fabricated in aluminum.

## Renaissance Collection: Page 31 of Catalog

Product #	Unit	Iron Art Finishes				Custom Finish	Additional Information
		A	B	C	D		
9125	PANEL	101	127	142	157	182	Cathedral / Panel Length: 26½"
9126	PANEL	90	112	126	139	161	Pontalba / Panel Length: 25¼"
9127	PANEL	90	112	126	139	161	New Orleans / Panel Length: 27½"
9128	PANEL	106	132	148	164	190	Gothic / Panel Length: 27¾"
9129	PANEL	106	132	148	164	190	Florence / Panel Length: 27¼"
9130	PANEL	67	83	93	103	120	Return with Mounting Plate
9131	PANEL	30	30	30	30	30	Cutting Charge

## Tuscany Collection: Ordering Information

CORNICES HAVE A NO RETURN POLICY AND CAN NOT BE RETURNED FOR CREDIT.

- Cornice pricing is per foot; please include returns when calculating length.
- Cornices are available with or without a wood duster. Listed prices are without a wood duster.
- The standard wood duster is available as Product #8046 with projections of 3½", 5½", and 7½" only.  
Please specify the projection in your order.
- A custom wood duster is available as Product #8047 in any projection up to 12".  
Please specify the projection in your order.
- Cornices without a wood duster are available in any projection up to 12".
- Cornices include "L" brackets spaced approximately 48" apart at no additional cost.
- Cornices are manufactured as one piece, and cannot be spliced. Maximum length for FedEx shipment is 102".  
All lengths over 102" must be shipped by common carrier (truck line). Please note residential truck deliveries are restricted to 24' (288").
- Cornices are available for bay windows. Please add Product #8044 as the bending charge for single cornices, and Product #8045 as the bending charge for double cornices.
- Cornice heights can be fabricated: Narrow (2⅞"-3⅞") - up to triple height; Medium (4"-5½") - double height.  
Design #8025 is available only as single height.
- Cornices are compatible with an iron rod set, cord/manual traversing, or Somfy Motorization. Rods and tracks are finished to match the cornice. The minimum projection when ordering is 5½". Please specify the projection in your order. Also, please specify cord length, cord placement (left or right), and draw (left stack, right stack, or center open) as applicable.

## Tuscany Collection: Pages 32 - 35 of Catalog

Product #	Unit	Iron Art Finishes				Custom Finish	Additional Information
		A	B	C	D		
8021	FOOT	60	77	84	90	105	Acanthus / Single / Height: 3½"
8022	FOOT	73	92	102	109	127	Acanthus / Double / Height: 7"
8023	FOOT	60	77	84	90	105	Tulip / Single / Height: 3½"
8024	FOOT	73	92	102	109	127	Tulip / Double / Height: 7"
8025	FOOT	61	78	85	91	106	Hammered / Single / Height: 8"
8026	FOOT	53	67	74	79	92	Baroque / Single / Height: 3⅜"
8027	FOOT	70	89	98	105	123	Baroque / Double / Height: 6¾"
8028	FOOT	53	67	74	79	92	Embossed / Single / Height: 2⅞"
8029	FOOT	70	89	98	105	123	Embossed / Double / Height: 5¾"
8030	FOOT	55	70	77	83	96	Bud Branch / Single / Height: 3½"
8031	FOOT	73	92	102	109	127	Bud Branch / Double / Height: 7"
8032	FOOT	55	70	77	83	96	Spanish Scroll / Single / Height: 3½"
8033	FOOT	73	92	102	109	127	Spanish Scroll / Double / Height: 7"
8034	FOOT	55	70	77	83	96	Spring Leaf / Single / Height: 3¾"
8035	FOOT	73	92	102	109	127	Spring Leaf / Double / Height: 7½"
8036	FOOT	53	67	74	79	92	Sea Shore / Single / Height: 3¾"
8037	FOOT	62	79	86	92	108	Basket Weave / Single / Height: 5½"
8044	FOOT	20	20	20	20	20	Bend Charge / Single Cornice
8045	FOOT	33	33	33	33	33	Bend Charge / Double Cornice
8046	FOOT	13	16	18	19	22	Standard Wood Duster
8047	FOOT	25	32	35	38	44	Custom Wood Duster



## Tuscany Collection: Pages 32 - 35 of Catalog (continued)

Product #	Unit	Iron Art Finishes				Custom Finish	Additional Information
		A	B	C	D		
8055	FOOT	53	67	74	79	92	*Infinite Geometry / Single / Height: 3 <sup>5</sup> / <sub>8</sub> "
8056	FOOT	65	83	91	98	114	*Infinite Geometry / Double / Height: 7 <sup>1</sup> / <sub>4</sub> "
8057	FOOT	57	73	80	86	100	*Classic / Single / Height: 3 <sup>1</sup> / <sub>2</sub> "
8058	FOOT	70	89	98	105	123	*Classic / Double / Height: 7"
8059	FOOT	53	67	74	79	92	*Royal Road / Single / Height: 3 <sup>1</sup> / <sub>2</sub> "
8060	FOOT	65	83	91	98	114	*Royal Road / Double / Height: 7"
8061	FOOT	55	70	77	83	96	*Bamboo Delight / Single / Height: 4 <sup>1</sup> / <sub>8</sub> "
8062	FOOT	73	92	102	109	127	*Bamboo Delight / Double / Height: 8 <sup>1</sup> / <sub>4</sub> "
8063	FOOT	55	70	77	83	96	*Sunbursts / Single / Height: 4 <sup>1</sup> / <sub>8</sub> "
8064	FOOT	73	92	102	109	127	*Sunbursts / Double / Height: 8 <sup>1</sup> / <sub>4</sub> "
8065	FOOT	55	70	77	83	96	*Metal Weave / Single / Height: 4 <sup>1</sup> / <sub>8</sub> "
8066	FOOT	73	92	102	109	127	*Metal Weave / Double / Height: 8 <sup>1</sup> / <sub>4</sub> "
8067	FOOT	55	70	77	83	96	*Olive Branches / Single / Height: 4 <sup>3</sup> / <sub>8</sub> "
8068	FOOT	73	92	102	109	127	*Olive Branches / Double / Height: 8 <sup>3</sup> / <sub>4</sub> "
8069	FOOT	55	70	77	83	96	*Emblem / Single / Height: 4 <sup>1</sup> / <sub>4</sub> "
8070	FOOT	73	92	102	109	127	*Emblem / Double / Height: 8 <sup>1</sup> / <sub>4</sub> "
8071	FOOT	55	70	77	83	96	*Swirls / Single / Height: 4 <sup>1</sup> / <sub>8</sub> "
8072	FOOT	73	92	102	109	127	*Swirls / Double / Height: 8 <sup>1</sup> / <sub>4</sub> "
8073	FOOT	55	70	77	83	96	*Windblown / Single / Height: 4"
8074	FOOT	73	92	102	109	127	*Windblown / Double / Height: 8"
8075	FOOT	60	77	84	90	105	*Pyramids / Single / Height: 6"
8077	FOOT	65	83	91	98	114	*Lattice Weave / Single / Height: 6 <sup>1</sup> / <sub>8</sub> "
8079	FOOT	60	77	84	90	105	*Mosaics/ Single / Height: 6"

# Clip-A-Crown: Ordering Information

CLIP-A-CROWN HAVE A NO RETURN POLICY AND CAN NOT BE RETURNED FOR CREDIT.

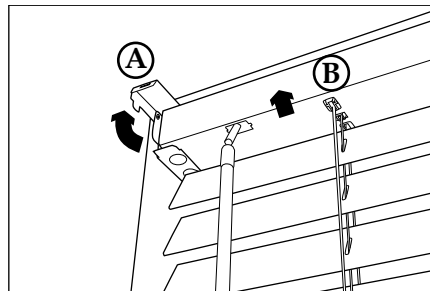
1. Designs: 20 designs embossed on lightweight metal. Please specify design in order.
2. Widths: Custom cut widths. Please specify width in order. Valances are manufactured as one piece, and cannot be spliced. Maximum width for FedEx shipment is 102". All widths over 102" must be shipped by common carrier (truck line). Please note residential truck deliveries are restricted to 24' (288").
3. Three Heights: Narrow, Medium and Tall (comes with two installation wood slats).
4. Thickness: Valance thickness is 1/2".
5. Clearance: Clearance between back of valance and front of headrail is 3/8" (clip thickness).
6. Price per foot: Clip-A-Crown pricing is per foot. Please see charge for Outside Mount Returns.
7. Clips: Clip-A-Crown includes clips for attaching to blinds at no additional cost. Clips are provided per each 18" of blinds. Minimum two clips per valance. Extra clips can be ordered.
8. Finishes: 35 Iron Art™ finishes and custom finishes: We can match most custom finishes, with a one-time strike-off charge of \$40.00 (net) per sample. In the order, please refer to product price in the custom finish group.

## MEASUREMENT GUIDELINES

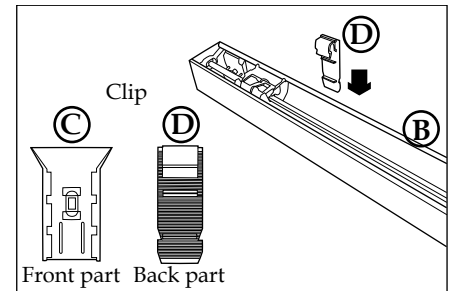


Inside Mount (flush to window frame)	
Inside Mount with Return	
Outside Mount	

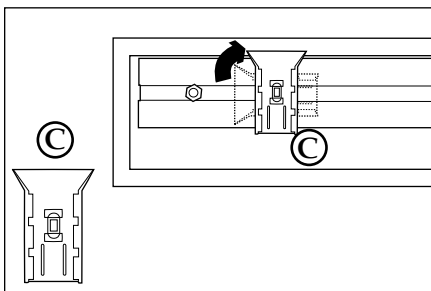
## INSTALLATION GUIDE:



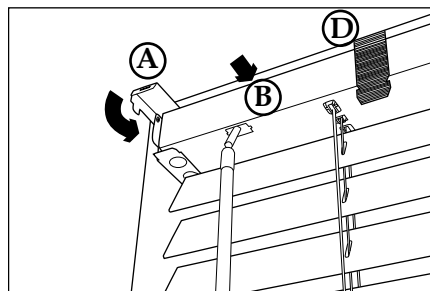
1. Open blind bracket (A) and slide metal headrail (B) off.



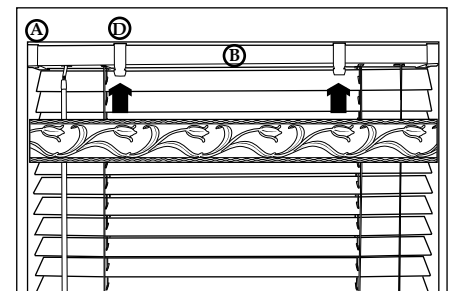
2. Clip back part of clip (D) onto front of metal headrail (B).



3. Install front part of clip (C) in a horizontal position into the wood slat on the back of the valance. Turn clip (C) from horizontal to vertical as shown to lock in place.



4. Slide metal headrail (B) into blind bracket (A) and close bracket.



5. Align clip (C) on valance to clip (D) on headrail by moving left or right as needed. Slide valance clip (C) onto clip (D) on headrail for final install position.

# Clip-A-Crown: Pages 36 - 39 of Catalog

**NARROW: 3 3/8" - 3 7/8"**



**CC8021 - Acanthus**  
Height: 3 1/2"



**CC8034 - Spring Leaf**  
Height: 3 3/4"



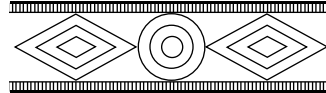
**CC8023 - Tulip**  
Height: 3 1/2"



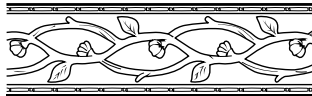
**CC8036 - Sea Shore**  
Height: 3 3/4"



**CC8026 - Baroque**  
Height: 3 3/8"



**CC8055 - Infinite Geometry**  
Height: 3 5/8"



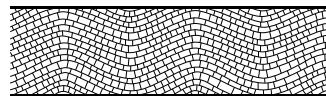
**CC8030 - Bud Branch**  
Height: 3 1/2"



**CC8057 - Classic**  
Height: 3 1/2"

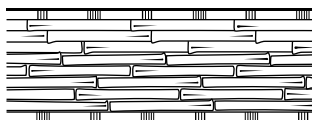


**CC8032 - Spanish Scroll**  
Height: 3 1/2"

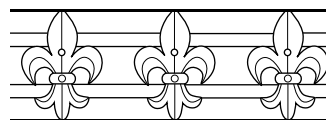


**CC8059 - Royal Road**  
Height: 3 1/2"

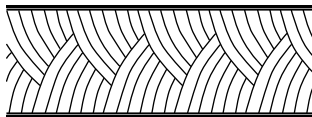
**MEDIUM: 4" - 4 3/8"**



**CC8061 - Bamboo Delight**  
Height: 4 1/8"



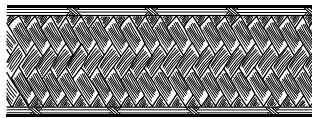
**CC8069 - Emblem**  
Height: 4 1/4"



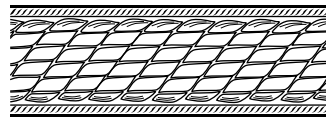
**CC8063 - Sunbursts**  
Height: 4 1/8"



**CC8071 - Swirls**  
Height: 4 1/8"



**CC8065 - Metal Weave**  
Height: 4 1/8"

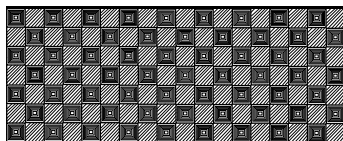


**CC8073 - Windblown**  
Height: 4"

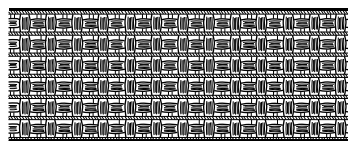


**CC8067 - Olive Branches**  
Height: 4 3/8"

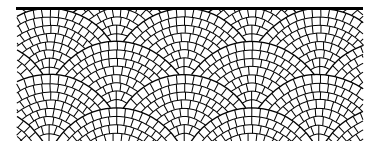
**TALL: 6" - 6 1/8"**



**CC8075 - Pyramids**  
Height: 6"



**CC8077 - Lattice Weave**  
Height: 6 1/8"

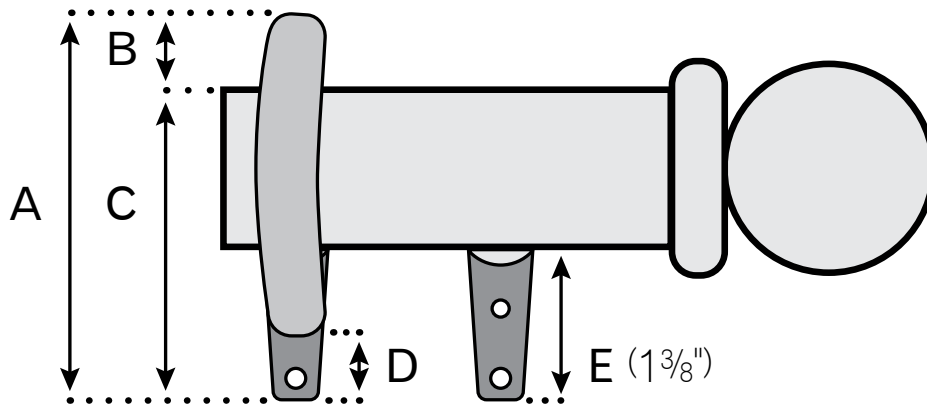


**CC8079 - Mosaics**  
Height: 6"

Product #	Unit	Iron Art Finishes				Custom Finish	Additional Information
		A	B	C	D		
See Narrow Styles Above	FOOT	27	35	38	41	48	Narrow (3 1/8" - 3 7/8")
See Medium Styles Above	FOOT	29	37	41	44	51	Medium (4" - 4 3/8")
See Tall Styles Above	FOOT	32	40	44	47	55	Tall (6" - 6 1/8")
CCRETURN	PAIR	14	18	20	22	25	Outside Mount Return
CC-CLIP	EACH	2.50					Additional Clip (unfinished)

## Pinch Pleat Carrier Measurements

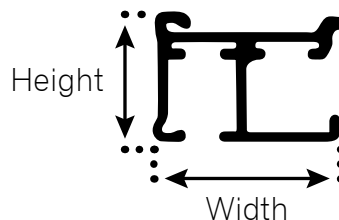
- A. Distance from top of ring to bottom of glide.
- B. Distance from top of ring to rod.
- C. Distance from top of rod to bottom of glide.
- D. Distance from bottom of ring to bottom of glide.
- E. Distance from bottom of rod to bottom of glide. (Same for all:  $1\frac{3}{8}$ " )



Traversing in Iron / Italian		Traversing in Wood	Tuscany Traversing
<b>Round Rings:</b>	<b>Square Rings:</b>	<b>Round Rings:</b>	<b>Round Rings:</b>
<b>1 1/2" Diameter Rods</b>	<b>1 1/2" Diameter Rods</b>	<b>2" Diameter Poles</b>	<b>3" Diameter Rods</b>
A. $4\frac{1}{8}$ "	A. $3\frac{7}{8}$ "	A. 4"	A. $5\frac{5}{8}$ "
B. $1\frac{1}{4}$ "	B. 1"	B. $\frac{3}{4}$ "	B. $1\frac{1}{4}$ "
C. $2\frac{7}{8}$ "	C. $2\frac{7}{8}$ "	C. $3\frac{1}{4}$ "	C. $4\frac{3}{8}$ "
D. $\frac{1}{2}$ "	D. $\frac{1}{2}$ "	D. $\frac{3}{8}$ "	D. $\frac{1}{2}$ "
<b>2" Diameter Rods</b>	<b>2" Diameter Rods</b>	<b>2 1/4" Diameter Poles</b>	
A. $4\frac{5}{8}$ "	A. $4\frac{1}{2}$ "	A. $4\frac{1}{4}$ "	
B. $1\frac{1}{4}$ "	B. $1\frac{1}{8}$ "	B. $\frac{7}{8}$ "	
C. $3\frac{3}{8}$ "	C. $3\frac{3}{8}$ "	C. $3\frac{3}{8}$ "	
D. $\frac{1}{2}$ "	D. $\frac{1}{2}$ "	D. $\frac{3}{8}$ "	
<b>3" Diameter Rods</b>		<b>3" Diameter Poles</b>	
A. $5\frac{5}{8}$ "		A. $5\frac{5}{8}$ "	
B. $1\frac{1}{4}$ "		B. 1"	
C. $4\frac{3}{8}$ "		C. $4\frac{3}{8}$ "	
D. $\frac{1}{2}$ "		D. $\frac{3}{8}$ "	

## Manual and Motorized Traversing Track Measurements:

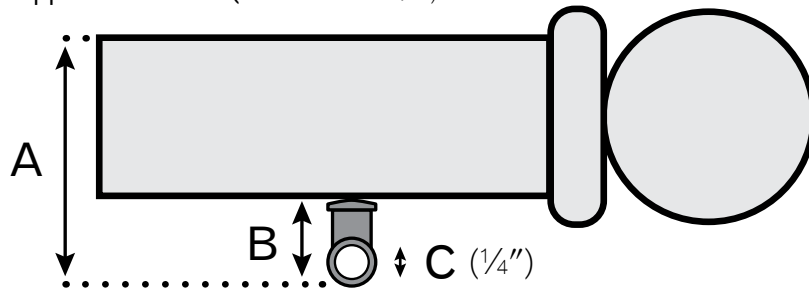
**Manual Traversing:**  $1\frac{1}{8}$ " High x  $1\frac{3}{8}$ " Wide  
**Motorized Traversing:** 1" High x  $1\frac{1}{8}$ " Wide



Traversing Track  
Cross Section

## RippleFold Carrier Measurements

- A. Distance from top of rod to bottom of glide.
- B. Distance from bottom of rod to bottom of glide.  
Manual Traversing:  $\frac{3}{4}$ " Motorized Traversing:  $\frac{15}{16}$ "
- C. Inner diameter of RippleFold carrier. (Same for all:  $\frac{1}{4}$ " )

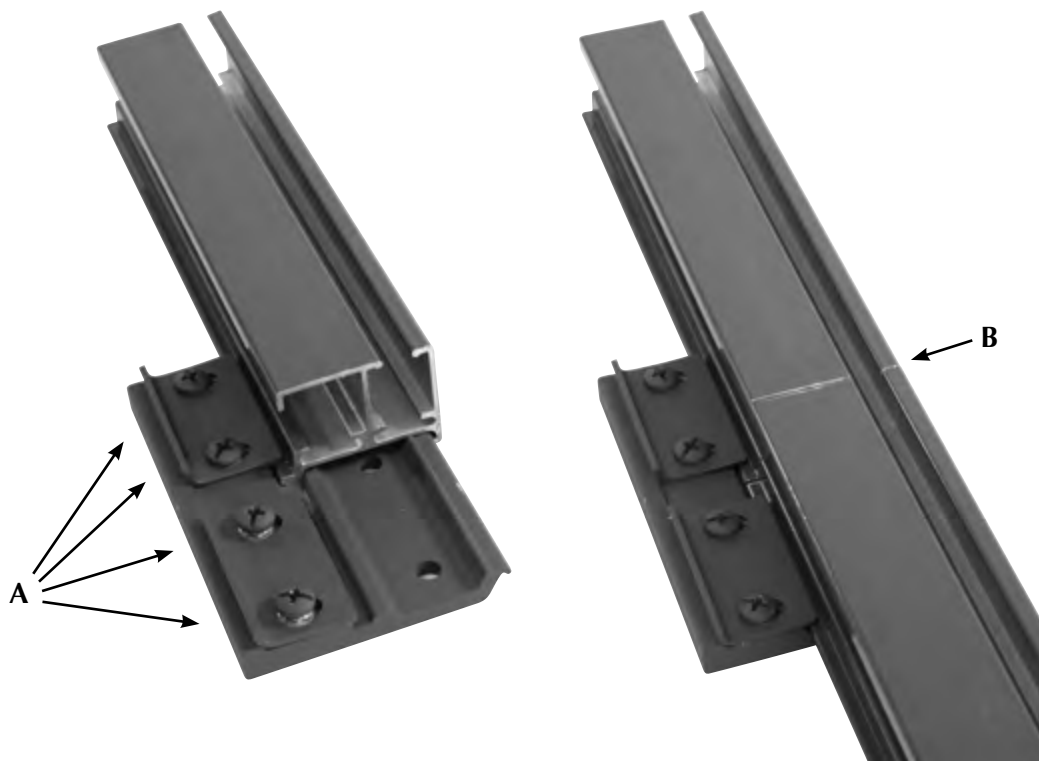


### (A) Measurement per Rod or Pole Diameter

	1½" Diameter	2" Diameter	2¼" Diameter	3" Diameter
<b>Manual Traversing - B: <math>\frac{3}{4}</math>"</b>				
Traversing in Iron / Italian	2¼"	2¾"	NA	3¾"
Traversing in Wood	NA	2¾"	3"	3¾"
Tuscany Traversing	NA	NA	NA	3¾"
<b>Motorized Traversing - B: <math>\frac{15}{16}</math>"</b>				
Traversing in Iron / Italian	2 $\frac{7}{16}$ "	2 $\frac{15}{16}$ "	NA	3 $\frac{15}{16}$ "
Traversing in Wood	NA	2 $\frac{15}{16}$ "	3 $\frac{3}{16}$ "	3 $\frac{15}{16}$ "
Tuscany Traversing	NA	NA	NA	3 $\frac{15}{16}$ "

## Manual Traversing Splice Plate

- A. Untighten all four screws on the splice plate to allow the top of each track to slide under a locking plate. Tracks are shown upside down. The splice plate will be on top of the tracks once installed.
- B. Connect tracks together in the center of the plate. Do not leave any space between the tracks. Retighten splice plate screws.

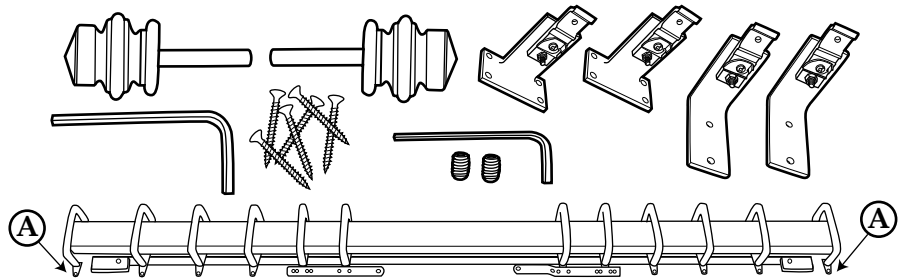


# DESIGNERS' CHOICE TRAVERSING RODS

## Installation Guide

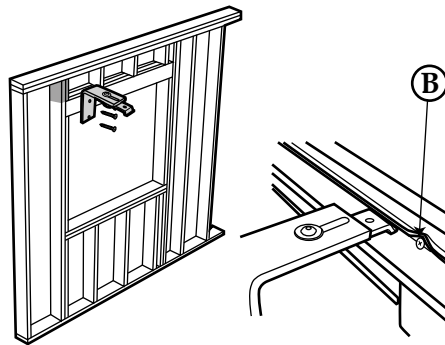
1. Unwrap and check all parts.  
Parts will vary by order.

When ordering with rings, two stationary rings (A) are placed on each end for center open systems, one ring is placed on the stack side for one-way draw systems.

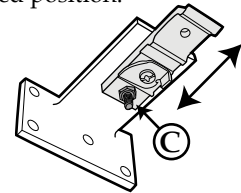


2. Designers' Choice hardware should be installed in wall studs where possible. We suggest using a density analyzer to determine stud locations.

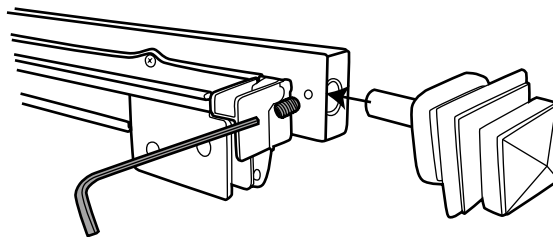
- (a) If installing in wall without stud, use heavy duty hollow wall anchors (e.g., Hillman #370012) or toggle bolts. We recommend ordering extra center supports when hollow wall anchors are being used.
- (b) Make sure support brackets do not line up with fascia screws (B).
- (c) Use level to make sure all brackets are on the same horizontal plane.



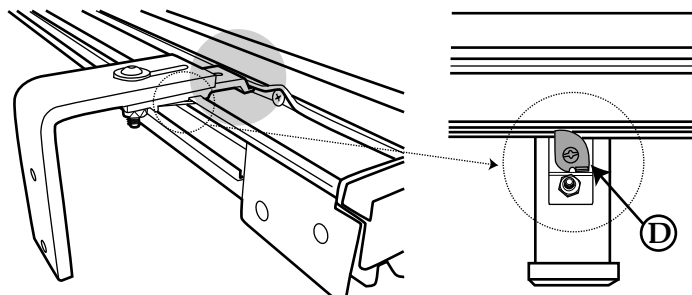
3. Adjust projection of bracket clip by loosening the screw nut (C). Adjust bracket projection as needed. Retighten the screw nut to hold the clip in desired position.



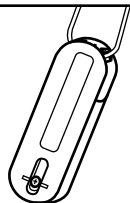
4. Install the finial in pre-drilled hole in rod. Use enclosed wrench to tighten finial screw.



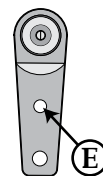
5. Clip traversing track onto the brackets on the wall; make sure track is securely in brackets. Turn the bracket clip (D) to lock the bracket with the track.



6. Test the cord to assure that rod draws smoothly. Install the floor tension pulley for the cord.



7. If installing without rings, please hang drapery from the top hole of the glide (E).



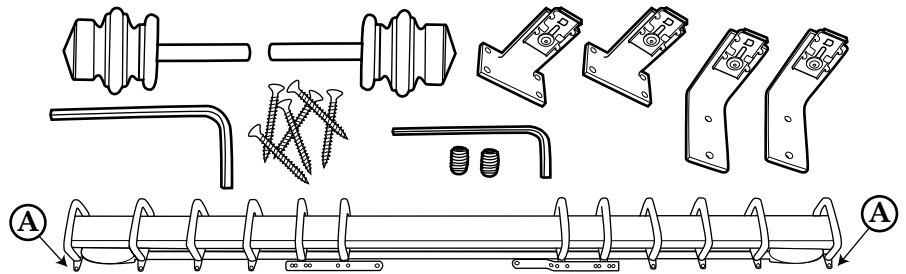
We recommend using a professional installer. While installation hardware is included, it may not be appropriate for your specific wall material or individual installation. Company will not assume any responsibility for damages incurred by inadequately supported or improperly mounted hardware.

# TRAVERSING WITH SOMFY

## Installation Guide

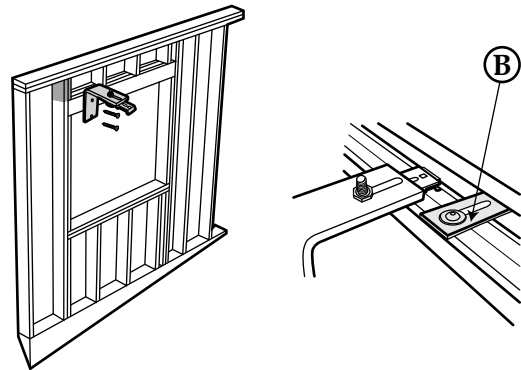
1. Unwrap and check all parts.  
Parts will vary by order.

When ordering with rings, two stationary rings (A) are placed on each end for center open systems, one ring is placed on the stack side for one-way draw systems.

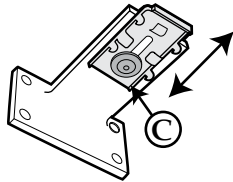


2. Traversing with Somfy hardware should be installed in wall studs where possible. We suggest using a density analyzer to determine stud locations.

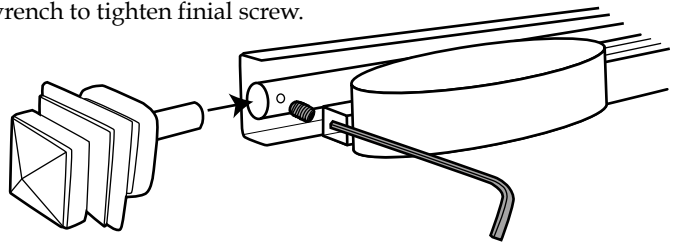
- (a) If installing in wall without stud, use heavy duty hollow wall anchors (e.g., Hillman #370012) or toggle bolts. We recommend ordering extra center supports when hollow wall anchors are being used.
- (b) Make sure support brackets do not line up with fascia attachments (B).
- (c) Use level to make sure all brackets are on the same horizontal plane.



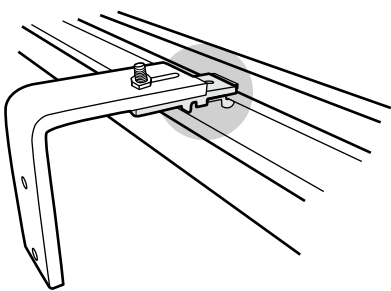
3. Adjust projection of bracket clip by loosening the screw nut (C). Adjust bracket projection as needed. Retighten the screw nut to hold the clip in desired position.



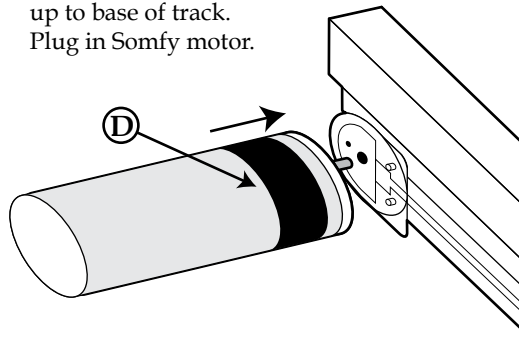
4. Install the finial in pre-drilled hole in rod. Use enclosed wrench to tighten finial screw.



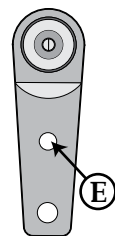
5. Clip traversing track onto the brackets on the wall; make sure track is securely in brackets.



6. Install Somfy motor. Slide finished sleeve (D) up to base of track. Plug in Somfy motor.

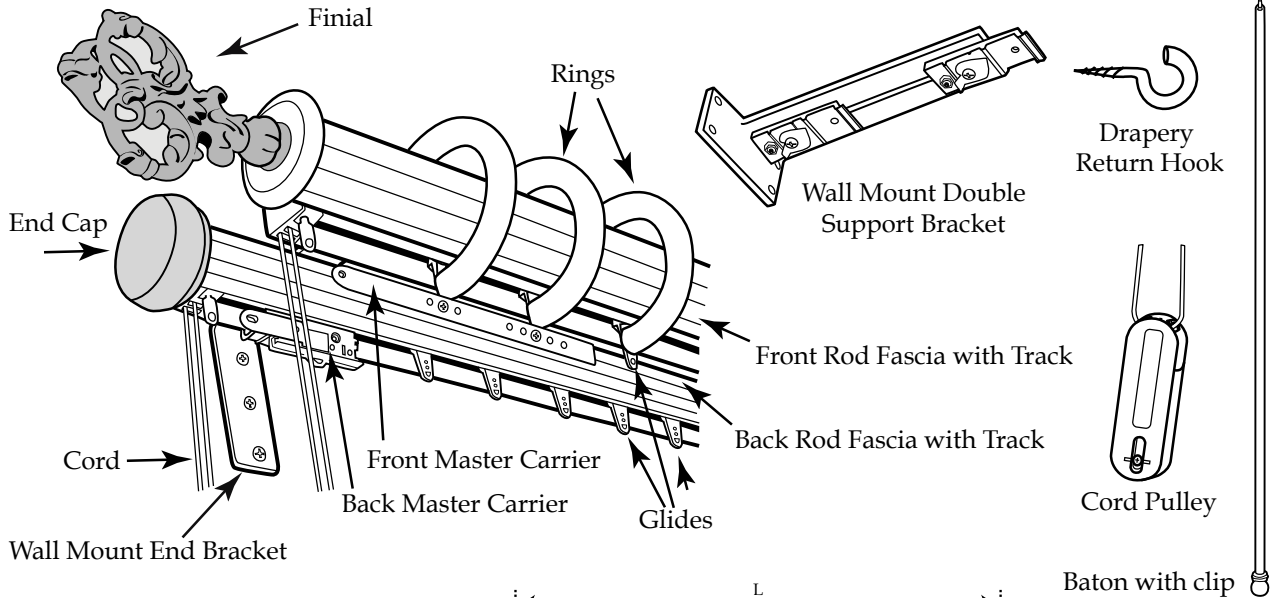


7. If installing without rings, please hang drapery from the top hole of the glide (E).



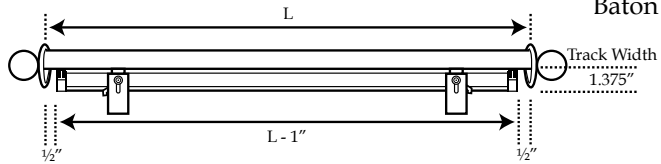
We recommend using a professional installer. While installation hardware is included, it may not be appropriate for your specific wall material or individual installation. Company will not assume any responsibility for damages incurred by inadequately supported or improperly mounted hardware.

# DESIGNERS' CHOICE TRAVERSING RODS



## MEASUREMENT GUIDELINES

- Please specify fascia length when ordering.
- Track length will be 1" shorter than fascia length. (L - 1")



## Iron, Italian and Wood Traversing Systems

*Traversing Systems designed to meet all of the custom needs of interior designers.*

- Single or Double Systems in Iron, Italian or Wood Fascia Styles.
- Up to 30 Feet in Length.
- Heavy Duty Track and Accessories Automatically Included.
- End and Support Brackets in Iron Customized for Heavy Duty Applications.
- Front Track with or without Rings.
- Back Rod Fascia Automatically Includes End Caps (Finished).
- Cord Draw or Baton Draw.
- Pinch Pleat or RippleFold.
- Wall Mount or Ceiling Mount Brackets with Expandable Projections.
- Four Finishes for Traversing Tracks: White, Black, Antique Bronze, Gold.
- Colored Pinch Pleat Glides Coordinate with Track Finishes. RippleFold Glides are White.
- Rods May be Bent or Curved (Excludes Square Fascia Styles).
- Miter Return Available.
- Heavy Duty Packaging.
- Shipped in 15 Business Days.

### Iron Rod Fascia Styles:

- 35 Iron Art™ Finishes for Rod Fascia, Finials, Rings, Brackets & End Caps (Back Rod Fascia Only).
- Rods and Diameters:  
Round: 1½", 2", and 3"  
Round Hammered: 1½", 2", and 3"  
Fluted: 1½" and 2"  
Square: 1½" and 2"
- Custom Finishes Available on Iron Fascia.
- Select Finials From the Entire Iron Finial and Village Forge Collections.
- Back Rod in Double Traverse System Comes with Iron Fascia 1¼" Diameter to Match Front Rod Style.

### Italian Collection Iron Fascia Styles:

- 6 Italian Collection Finishes for Rod Fascia, Finials, Rings, Brackets & End Caps (Back Rod Fascia Only).
- Rods and Diameters:  
Round: 1½" and 2"  
Square: 1½" and 2"
- Select Finials from Italian and Bohemia Collections.
- Back Rod in Double Traverse System Comes with Iron Fascia 1¼" Diameter to Match Front Rod Style.

### Wood Rod Fascia Styles:

- 11 Wood Art™ Finishes for Rod Fascia, Finials, Rings, Brackets & End Caps (Back Rod Fascia Only).
- Rods and Diameters:  
Round: 2", 2¼", and 3"  
Fluted: 2", 2¼", and 3"  
Rope: 2", 2¼", and 3"
- Custom Finishes Available on Wood Fascia.
- Select Finials from New York Wood and Rosina Collections.
- Back Rod in Double Traverse System Comes with Wood Fascia 1⅜" Diameter to Match Front Rod Style.

## Designers' Choice Set Guide: Iron Bracket, Glide, and Ring Quantities

Product	Unit	QTY	Product	Unit	QTY
<b>Iron End Brackets</b> Single Bracket Back Plate: H 3¼" W 1½" Double Bracket Back Plate: H 4½" W 1½"	SET	2	<b>Rings (Front Rod Only)</b> Including Master Carriers <i>Rings are an additional cost</i>	FOOT	4
<b>Glides - Including Master Carrier</b>	FOOT	4			



## Designers' Choice Traversing Rods: Ordering Information

- Sets automatically include: rod fascia, heavy duty tracks, glides, master carriers\*, cords and cord pulleys\*\*, drapery return hooks, two end brackets, support brackets as needed per length, and back rod end caps (for double rods only).
- Items sold separately: finials, rings (front rod with pinch pleat glides only), and batons.
- Rod set finishes: rods, brackets, return hooks, rings, master carriers and batons are finished as per finish specified in order.
- Track finishes are available in White, Black, Antique Bronze, and Gold.
- Glides for pinch pleats coordinate with the four track finishes. RippleFold glides are only available in white. Glides are supplied four per foot.
- Please state fullness of 60%, 80%, 100%, or 120% when ordering RippleFold.
- Traversing rods come with or without rings on front rods with pinch pleat glides only. Back rods and RippleFold glides do not accommodate rings. Two stationary rings are placed on each end for center open systems, one ring is placed on the stack side for one-way draw systems.
- If desired, you may specify a baton drawn system. **Batons are sold separately.** Please see page 22 for Iron Art™ batons and page 58 for Italian batons.
- When ordering, include cord length (standard is 8'), cord placement (left or right), and draw (left stack, right stack, or center open).
- Please specify wall or ceiling mount end brackets when ordering. Due to limited clearance, we recommend using end caps as finials with ceiling mount brackets. Please contact customer service for a list of other finials which may be used.
- Traversing set pricing is rounded up to the next foot.
- Maximum fabric weight for a 16' track is 62 lbs. for the heavy duty traverse track (automatically provided in each set).
- All heavy duty tracks, iron and wood rods (all diameters) are available in 16' (192") lengths without a splice, and up to 30' (360") with a splice. Italian Collection iron rods are available in 10' (120") lengths without a splice, and up to 20' (240") with a splice.
- Maximum width for FedEx shipment is 102". All rods over 102" must be shipped by common carrier (truck line). Please note residential truck deliveries are restricted to 24' (288").
- When ordering with miter returns, please add Product #IT307MR, #IC307MR, or #WT307MR. The width entered should be the track measurement. Returns are available as 3½", 4½", 6", and 7".
- Iron and Italian traversing rods can be bent or curved (excludes square fascia styles). Please contact customer service for a custom quote.
- Custom finish: 25% additional charge. Please add a one time strike off charge (Product #IASTRIKE).

## Traversing Accessories: Page 49 of Catalog

Accessories & Charges	Product #	Unit	Price		Additional Information				
<b>Additional Traversing Glides</b>	<b>TRGL</b>	EACH	<b>2</b>		Specify Quantity in Order / Standard is Four per Foot				
<b>Additional Traversing Cord</b> (white)	<b>TRCR</b>	FOOT	<b>0.75</b>		Specify Length in Order / Standard is Eight Feet				
<b>Strike Off Charge</b> (net)	<b>IASTRIKE</b>	EACH	<b>40</b>		One time strike off charge for custom finish				
<b>Miter with Return</b>									
<b>Designers' Choice: Iron</b>	<b>IT307MR</b>	EACH	<b>64</b>		Available in 3½", 4½", 6", and 7"				
<b>Designers' Choice: Italian</b>	<b>IC307MR</b>	EACH	<b>80</b>		Available in 3½", 4½", 6", and 7"				
<b>Designers' Choice: Wood</b>	<b>WT307MR</b>	EACH	<b>54</b>		Available in 3½", 4½", 6", and 7"				
<b>"C" Ring Styles</b> (Front Rod Only)	<b>Product #</b>	<b>Unit</b>	<b>1½"</b>		<b>2"</b>		<b>2" &amp; 2¼"</b>	<b>3"</b>	
			<b>Inner Diameter</b>	<b>Inner Diameter</b>	<b>Inner Diameter</b>	<b>Inner Diameter</b>	<b>Iron</b>	<b>Wood</b>	
			<b>Iron</b>	<b>Italian</b>	<b>Iron</b>	<b>Italian</b>	<b>Wood</b>	<b>Iron</b>	<b>Wood</b>
<b>Round Iron "C" Rings</b>	<b>IT/IC350TR</b>	EACH	<b>14</b>	<b>16</b>	<b>14</b>	<b>18</b>	<b>N/A</b>	<b>16</b>	<b>N/A</b>
<b>Square Iron "C" Rings</b>	<b>IT/IC352TR</b>	EACH	<b>14</b>	<b>16</b>	<b>14</b>	<b>18</b>	<b>N/A</b>	<b>N/A</b>	<b>N/A</b>
<b>Round Hammered Iron "C" Rings</b>	<b>IT356TR</b>	EACH	<b>15</b>	<b>N/A</b>	<b>15</b>	<b>N/A</b>	<b>N/A</b>	<b>16</b>	<b>N/A</b>
<b>Smooth Wood "C" Rings</b>	<b>WT5047TR</b>	EACH	<b>N/A</b>	<b>N/A</b>	<b>N/A</b>	<b>N/A</b>	<b>16</b>	<b>N/A</b>	<b>20</b>
<b>Fluted Wood "C" Rings</b>	<b>WT5049TR</b>	EACH	<b>N/A</b>	<b>N/A</b>	<b>N/A</b>	<b>N/A</b>	<b>16</b>	<b>N/A</b>	<b>20</b>

\* Center open rods come with two master carriers, while one-way draw rods come with one. Front rod carriers each hold two rings.

\*\* Cord drawn traversing sets include cords and cord pulleys. Batons for baton drawn sets are sold separately.

## Traversing Accessories: Page 49 of Catalog (continued)

Additional Support Brackets	Product #	Unit	Price	Additional Information
Iron Wall Mount (single)	IT1050SBS	EACH	20	3¾" to 47/8" Projection / Back Plate: H 1½" W 3"
Iron Wall Mount (double)	IT1051SBD	EACH	26	Back Rod: 27/8" to 65/8" Projection / Front Rod: 9¾" Projection Back Plate: H 1½" W 3" / Bracket Length: 9½" 3¼" - 67/8" Available Space Between Tracks
Iron Ceiling Mount (single)**	IT1052CBS	EACH	20	2¾" - 37/8" Projection / Ceiling Plate: H 1½" W 3"
Iron Ceiling Mount (double)**	IT1053CBD	EACH	28	Back Rod: 27/8" to 65/8" Projection / Front Rod: 9¾" Projection Ceiling Plate: H 1½" W 3" / Bracket Length: 10¼" - 10½" 3¼" - 67/8" Available Space Between Tracks
Italian Wall Mount (single)	IC1050SBS	EACH	31	3¾" to 47/8" Projection / Back Plate: H 1½" W 3"
Italian Wall Mount (double)	IC1051SBD	EACH	35	Back Rod: 27/8" to 65/8" Projection / Front Rod: 9¾" Projection Back Plate: H 1½" W 3" / Bracket Length: 9½" 3¼" - 67/8" Available Space Between Tracks
Italian Ceiling Mount (single)**	IC1052CBS	EACH	32	2¾" - 37/8" Projection / Ceiling Plate: H 1½" W 3"
Italian Ceiling Mount (double)**	IC1053CBD	EACH	35	Back Rod: 27/8" to 65/8" Projection / Front Rod: 9¾" Projection Ceiling Plate: H 1½" W 3" / Bracket Length: 10¼" - 10½" 3¼" - 67/8" Available Space Between Tracks

## Single Traversing Sets: Pages 42 & 44 of Catalog

(Add Finials, Rings, Accessories, and Miscellaneous Charges Where Applicable)

Style	Set #	4 Feet	5 Feet	6 Feet	7 Feet	8 Feet	9 Feet	10 Feet	Additional Foot
Track Only	ITTRACK-S	225	250	288	331	375	419	463	44
<b>Designers' Choice: Iron</b>									
Round 1½" Dia.	ITRR-S-112	380	475	548	620	715	788	860	120
Round 2" Dia.	ITRR-S-200	390	490	568	645	745	823	900	125
Round 3" Dia.	ITRR-S-300	448	555	640	725	833	918	1003	133
Round Hammered 1½" Diameter	ITRH-S-112	398	498	575	653	753	830	908	125
Round Hammered 2" Diameter	ITRH-S-200	408	513	595	678	783	865	948	130
Round Hammered 3" Diameter	ITRH-S-300	465	580	673	765	880	973	1065	140
Fluted 1½" Dia.	ITFL-S-112	418	523	605	688	793	875	958	130
Fluted 2" Dia.	ITFL-S-200	428	538	625	713	823	910	998	135
Square 1½" Dia.	ITSQ-S-112	398	498	575	653	753	830	908	125
Square 2" Dia.	ITSQ-S-200	408	513	595	678	783	865	948	130
<b>Designers' Choice: Italian</b>									
Round 1½" Dia.	ICRR-S-112	548	675	770	864	994	1100	1205	136
Round 2" Dia.	ICRR-S-200	572	710	815	921	1052	1166	1281	145
Square 1½" Dia.	ICSQ-S-112	572	710	815	921	1052	1166	1281	145
Square 2" Dia.	ICSQ-S-200	597	745	861	977	1109	1233	1357	155
<b>Designers' Choice: Wood</b>									
Smooth 2" Dia.	WTRN-S-200	358	453	525	598	693	765	838	120
Smooth 2¼" Dia.	WTRN-S-214	358	453	525	598	693	765	838	120
Smooth 3" Dia.	WTRN-S-300	395	503	588	673	780	865	950	133
Fluted 2" Dia.	WTFL-S-200	358	453	525	598	693	765	838	120
Fluted 2¼" Dia.	WTFL-S-214	358	453	525	598	693	765	838	120
Fluted 3" Dia.	WTFL-S-300	408	515	600	685	793	878	963	133
<b>Number of Brackets Included:</b>		2	3	3	3	4	4	4	See Note*

\*Additional brackets will be included at 11', 14', 17', 20', 23', 26', and 29'.

## Single Traversing Sets: Page 44 of Catalog (continued)

(Add Finials, Rings, Accessories, and Miscellaneous Charges Where Applicable)

Style	Set #	4 Feet	5 Feet	6 Feet	7 Feet	8 Feet	9 Feet	10 Feet	Additional Foot
<b>Designers' Choice: Wood</b>									
Rope 2" Dia.	WTRP-S-200	424	543	640	736	855	952	1048	146
Rope 2¼" Dia.	WTRP-S-214	440	564	664	764	757	842	927	129
Rope 3" Dia.	WTRP-S-300	486	621	732	842	833	927	1021	138

## Double Traversing Sets: Pages 43 & 45 of Catalog

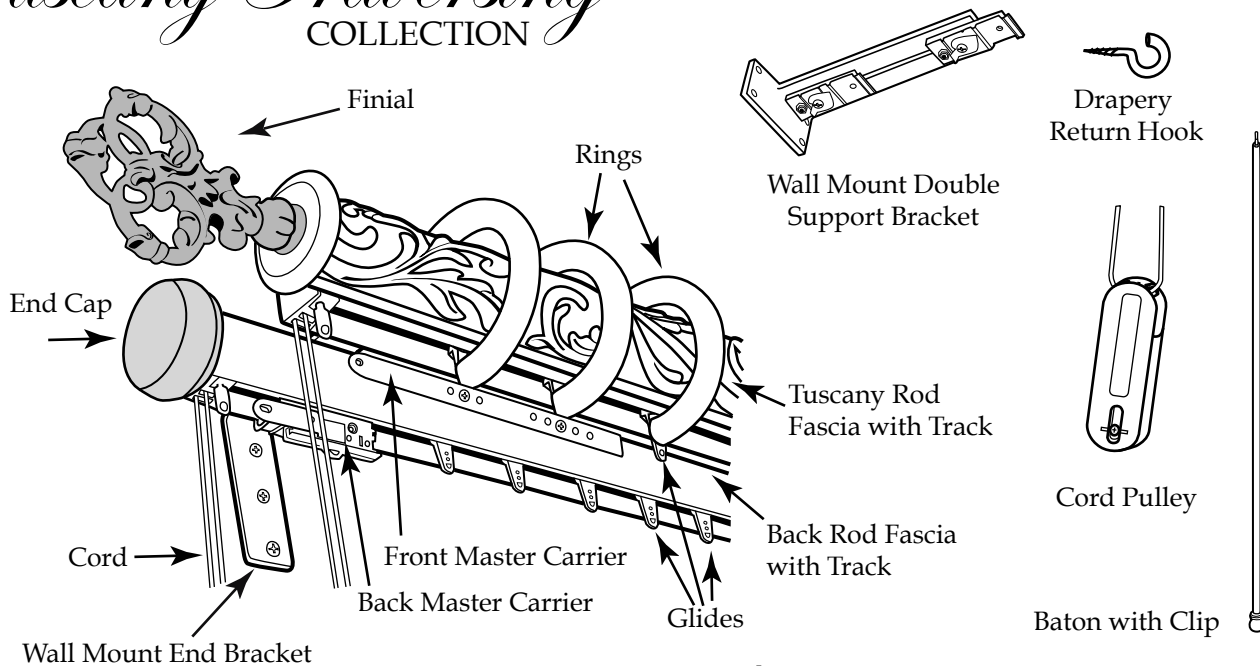
(Add Finials, Rings, Accessories, and Miscellaneous Charges Where Applicable)

Style	Set #	4 Feet	5 Feet	6 Feet	7 Feet	8 Feet	9 Feet	10 Feet	Additional Foot
Track Only	ITTRACK-D	480	585	690	795	900	1005	1110	105
<b>Designers' Choice: Iron</b>									
Round 1½" Dia.	ITRR-D-112	612	768	891	1014	1170	1293	1416	186
Round 2" Dia.	ITRR-D-200	627	789	918	1047	1209	1338	1467	192
Round 3" Dia.	ITRR-D-300	650	812	944	1075	1238	1369	1501	190
Round Hammered 1½" Diameter	ITRH-D-112	633	792	918	1044	1203	1329	1455	189
Round Hammered 2" Diameter	ITRH-D-200	645	810	942	1074	1239	1371	1503	195
Round Hammered 3" Diameter	ITRH-D-300	666	834	972	1109	1277	1414	1551	196
Fluted 1½" Dia.	ITFL-D-112	599	745	861	977	1107	1231	1355	162
Fluted 2" Dia.	ITFL-D-200	593	738	855	972	1118	1235	1352	172
Square 1½" Dia.	ITSQ-D-112	528	660	765	870	1003	1108	1213	158
Square 2" Dia.	ITSQ-D-200	538	675	785	895	1033	1143	1253	163
<b>Designers' Choice: Italian</b>									
Round 1½" Dia.	ICRR-D-112	717	902	1046	1190	1376	1520	1664	218
Round 2" Dia.	ICRR-D-200	746	944	1101	1258	1456	1613	1770	230
Square 1½" Dia.	ICSQ-D-112	656	837	983	1129	1311	1455	1604	207
Square 2" Dia.	ICSQ-D-200	658	845	998	1152	1339	1492	1646	213
<b>Designers' Choice: Wood</b>									
Smooth 2" Dia.	WTRN-D-200	526	666	776	885	1025	1134	1243	168
Smooth 2¼" Dia.	WTRN-D-214	526	666	776	885	1025	1134	1243	168
Smooth 3" Dia.	WTRN-D-300	559	705	821	937	1072	1196	1320	197
Fluted 2" Dia.	WTFL-D-200	526	666	776	885	1025	1134	1243	168
Fluted 2¼" Dia.	WTFL-D-214	526	666	776	885	1025	1134	1243	168
Fluted 3" Dia.	WTFL-D-300	559	705	821	937	1072	1196	1320	197
Rope 2" Dia.	WTRP-D-200	626	800	943	1085	1259	1401	1543	203
Rope 2¼" Dia.	WTRP-D-214	626	800	943	1085	1259	1401	1543	203
Rope 3" Dia.	WTRP-D-300	708	890	1042	1193	1375	1526	1677	210
<b>Number of Brackets Included:</b>		<b>2</b>	<b>3</b>	<b>3</b>	<b>3</b>	<b>4</b>	<b>4</b>	<b>4</b>	See Note*

\*Additional brackets will be included at 11', 14', 17', 20', 23', 26', and 29'.

# Tuscany Traversing

COLLECTION



## MEASUREMENT GUIDELINES

- Please specify fascia length when ordering.
- Track length will be 1" shorter than fascia length. (L - 1")



## Iron Tuscany Traversing Systems

*Traversing Systems designed to meet all of the custom needs of interior designers.*

- Single or Double Systems in Decorative Tuscany Rod Fascias.
- Heavy Duty Track and Accessories Automatically Included.
- Up to 30 Feet in Length.
- End and Support Brackets in Iron Customized for Heavy Duty Applications.
- Front Track with or without Rings.
- Back Rod Fascia in Double Traverse System Includes End Caps (Finished) and 1 1/4" Diameter Iron Smooth Round Fascia.
- Wall Mount or Ceiling Mount Brackets with Expandable Projections.
- Rods May be Curved.
- Cord Draw or Baton Draw.
- 11 Tuscany Designs.
- Pinch Pleat or RippleFold.
- 35 Iron Art™ Finishes for Tuscany Rod Fascia, Finials, Rings, Brackets, and End Caps (Back Rod Fascia Only).
- Custom Finishes Available on Tuscany Rod Fascia.
- Four Finishes for Traversing Tracks: White, Black, Antique Bronze, and Gold.
- Colored Pinch Pleat Glides Coordinate with Track Finishes. RippleFold Glides are White.
- Miter Return Available.
- Heavy Duty Packaging.
- Shipped in 15 Business Days.

## Tuscany Traversing Set Guide: Iron Bracket, Glide, and Ring Quantities

Product	Unit	QTY	Product	Unit	QTY
<b>Iron End Brackets</b> Single Bracket Back Plate: H 3 1/4" W 1 1/2" Double Bracket Back Plate: H 4 1/2" W 1 1/2"	SET	2	<b>Rings (Front Rod Only)</b> Including Master Carriers <i>Rings are an additional cost</i>	FOOT	4
<b>Glides - Including Master Carrier</b>	FOOT	4			

## Tuscany Traversing: Ordering Information

1. Sets automatically include: rod fascia, heavy duty tracks, glides, master carriers\*, cords and cord pulleys\*\*, drapery return hooks, two end brackets, support brackets as needed per length, and back rod end caps (for double rods only).
2. Items sold separately: finials, rings (front rod with pinch pleat glides only), and batons.
3. Rod set finishes: rods, brackets, return hooks, rings, master carriers and batons are finished as per finish specified in order.
4. Track finishes are available in White, Black, Antique Bronze, and Gold.
5. Glides for pinch pleats coordinate with the four track finishes. RippleFold glides are only available in white. Glides are supplied four per foot.

## Tuscany Traversing: Ordering Information (continued)

6. Please state fullness of 60%, 80%, 100%, or 120% when ordering RippleFold.
7. Traversing rods come with or without rings on front rods with pinch pleat glides only. Back rods and RippleFold glides do not accommodate rings. Two stationary rings are placed on each end for center open systems, one ring is placed on the stack side for one-way draw systems.
8. If desired, you may specify a baton drawn system. **Batons are sold separately.** Please see page 22 for Iron Art™ batons.
9. When ordering, please specify the Tuscany design number, cord length (standard is 8'), cord placement (left or right), and draw (left stack, right stack, or center open).
10. Please specify wall or ceiling mount end brackets when ordering. Due to limited clearance, we recommend using end caps as finials with ceiling mount brackets. Please contact customer service for a list of other finials which may be used.
11. Tuscany Traversing set pricing is rounded up to the next foot.
12. Maximum fabric weight for a 16' track is 62 lbs. for the heavy duty traverse track (automatically provided in each set).
13. All heavy duty tracks are available in 16' (192") lengths without a splice, and up to 30' (360") with a splice.
14. Maximum width for FedEx shipment is 102". All rods over 102" must be shipped by common carrier (truck line). Please note residential truck deliveries are restricted to 24' (288").
15. When ordering with miter returns, please add Product #IT307MR. The width entered should be the track measurement. Returns are available as 3½", 4½", 6", and 7".
16. Tuscany Traversing rods can be curved. Please contact customer service for a custom quote.
17. Custom finish: 25% additional charge. Please add a one time strike off charge (Product #IASTRIKE).

## Tuscany Traversing Sets: Page 46 of Catalog

(Add Finials, Rings, Accessories, and Miscellaneous Charges Where Applicable)

Style	Set #	4 Feet	5 Feet	6 Feet	7 Feet	8 Feet	9 Feet	10 Feet	Additional Foot
Single System	TTKT-S	464	602	710	819	957	1066	1174	170
Double System	TTKT-D	740	875	1044	1213	1422	1591	1760	245
<b>Number of Brackets Included:</b>		<b>2</b>	<b>3</b>	<b>3</b>	<b>3</b>	<b>4</b>	<b>4</b>	<b>4</b>	See Note <sup>†</sup>

<sup>†</sup>Additional brackets will be included at 11', 14', 17', 20', 23', 26', and 29'.

## Traversing Accessories: Page 49 of Catalog

Accessories & Charges	Product #	Unit	Price	Additional Information
<b>Additional Traversing Glides</b>	<b>TRGL</b>	EACH	<b>2</b>	Specify Quantity in Order / Standard is Four per Foot
<b>Additional Traversing Cord (white)</b>	<b>TRCR</b>	FOOT	<b>0.75</b>	Specify Length in Order / Standard is Eight Feet
<b>Strike Off Charge (net)</b>	<b>IASTRIKE</b>	EACH	<b>40</b>	One time strike off charge for custom finish
<b>Miter with Return</b>	<b>IT307MR</b>	EACH	<b>64</b>	Available in 3½", 4½", 6", and 7"
<b>"C" Ring Styles (Front Rod Only)</b>	<b>Product #</b>	<b>Unit</b>	<b>Price</b>	<b>Additional Information</b>
<b>Round Iron "C" Rings - 3"</b>	<b>IT350TR</b>	EACH	<b>16</b>	Front Rod Only
<b>Round Hammered Iron "C" Rings - 3"</b>	<b>IT356TR</b>	EACH	<b>16</b>	Front Rod Only
<b>Additional Support Brackets</b>	<b>Product #</b>	<b>Unit</b>	<b>Price</b>	<b>Additional Information</b>
<b>Iron Wall Mount (single)</b>	<b>IT1050SBS</b>	EACH	<b>20</b>	3¾" to 4⅞" Projection / Back Plate: H 1½" W 3"
<b>Iron Wall Mount (double)</b>	<b>IT1051SBD</b>	EACH	<b>26</b>	Back Rod: 2⅞" to 6⅞" P / Front Rod: 9¾" Projection Back Plate: H 1½" W 3" / Bracket Length: 9½" 3¼" - 6⅞" Available Space Between Tracks
<b>Iron Ceiling Mount (single)***</b>	<b>IT1052CBS</b>	EACH	<b>20</b>	2¾" - 3⅞" Projection / Ceiling Plate: H 1½" W 3"
<b>Iron Ceiling Mount (double)***</b>	<b>IT1053CBD</b>	EACH	<b>28</b>	Back Rod: 2⅞" to 6⅞" P / Front Rod: 9¾" Projection Ceiling Plate: H 1½" W 3" / Bracket Length: 10¼" - 10½" 3¼" - 6⅞" Available Space Between Tracks

\* Center open rods come with two master carriers, while one-way draw rods come with one. Front rod carriers each hold two rings.

\*\* Cord drawn traversing sets include cords and cord pulleys. Batons for baton drawn sets are sold separately.

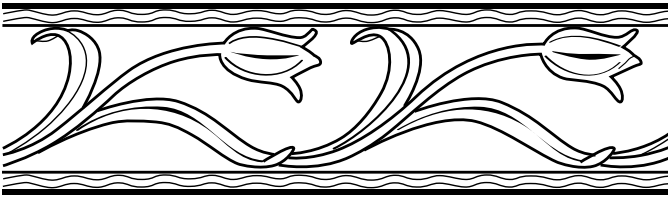
\*\*\* Ceiling mount support brackets have a 2" drop for rods without rings, and a 3" drop for rods with rings.

FASCIA DESIGNS

TT8021 - Acanthus Height: 2½"



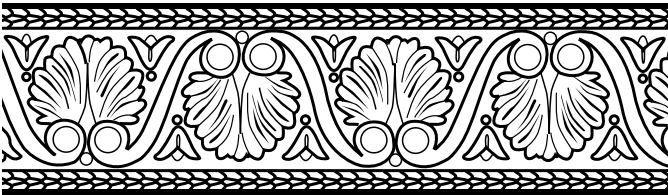
TT8023 - Tulip Height: 2½"



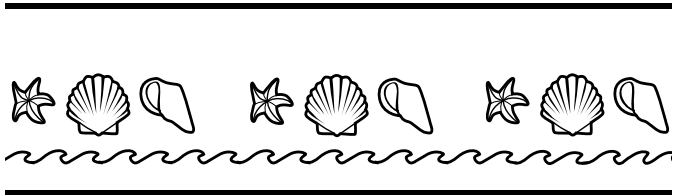
TT8034 - Spring Leaf Height: 2¾"



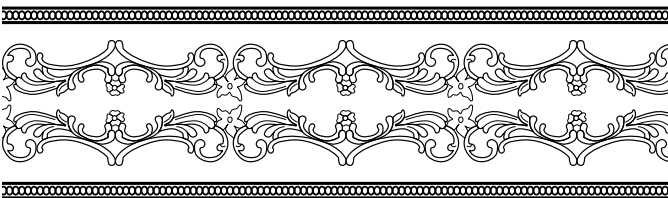
TT8026 - Baroque Height: 2¾"



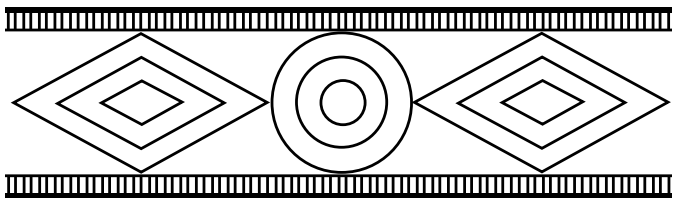
TT8036 - Sea Shore Height: 2¾"



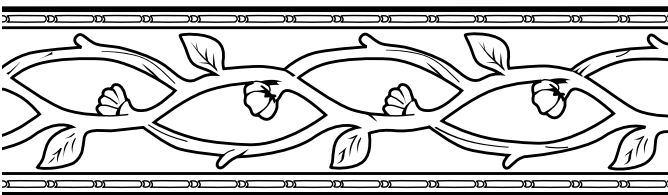
TT8028 - Embossed Height: 1⅞"



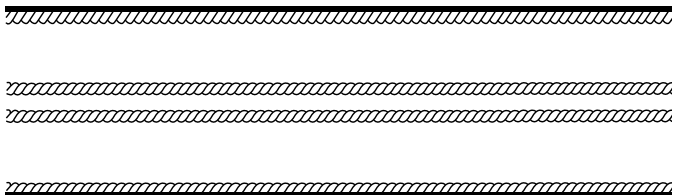
TT8055 - Infinite Geometry Height: 2⅝"



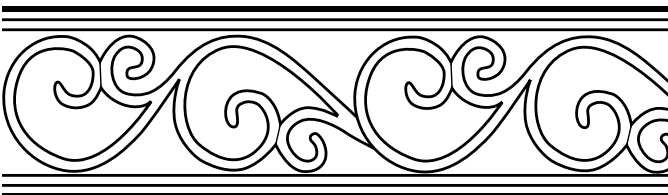
TT8030 - Bud Branch Height: 2½"



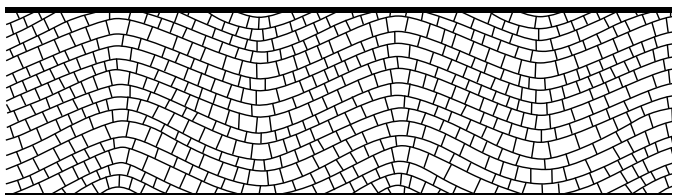
TT8057 - Classic Height: 2½"



TT8032 - Spanish Scroll Height: 2½"

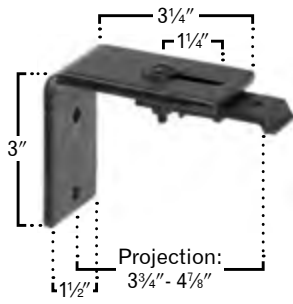


TT8059 - Royal Road Height: 2½"

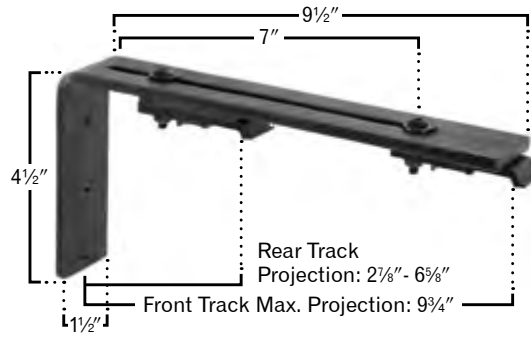


# Bracket Guide: Designers' Choice and Tuscany Traversing

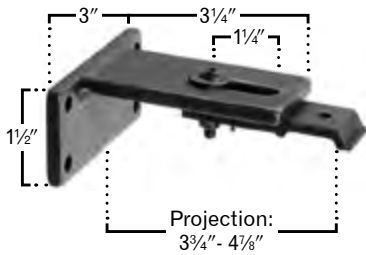
IT/IC1048EBS  
Single End Bracket



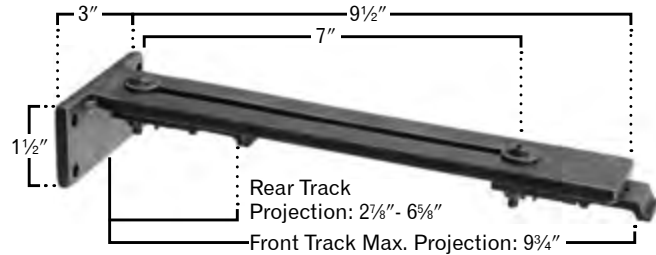
IT/IC1049EBD  
Double End Bracket



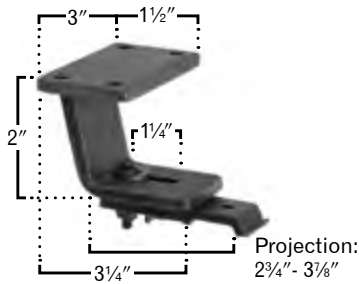
IT/IC1050SBS  
Single Support Bracket



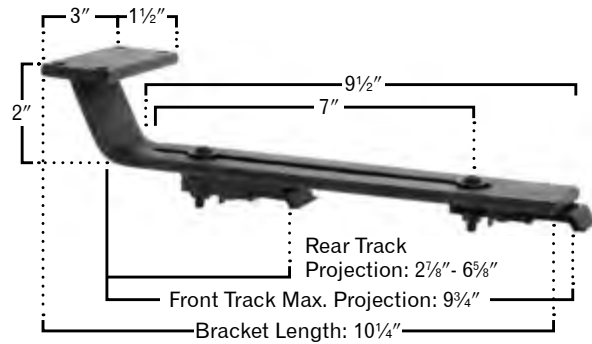
IT/IC1051SBD  
Double Support Bracket



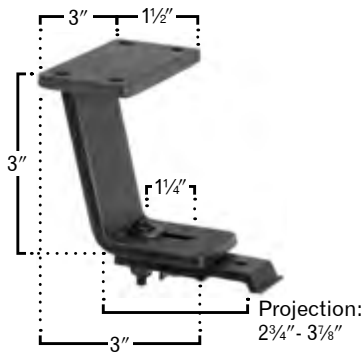
IT/IC1052CBS  
Single Ceiling Bracket  
(for systems without rings)



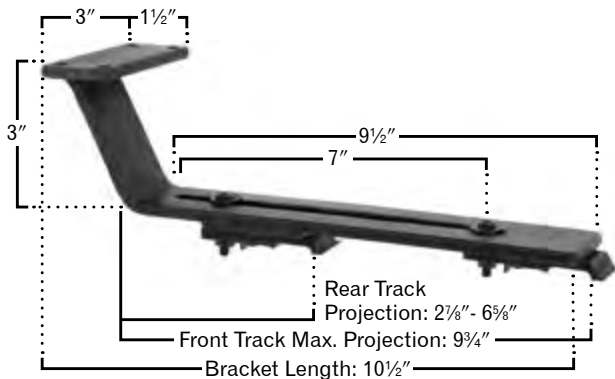
IT/IC1053CBD  
Double Ceiling Bracket  
(for systems without rings)



IT/IC1052CBS  
Single Ceiling Bracket  
(for systems with rings)

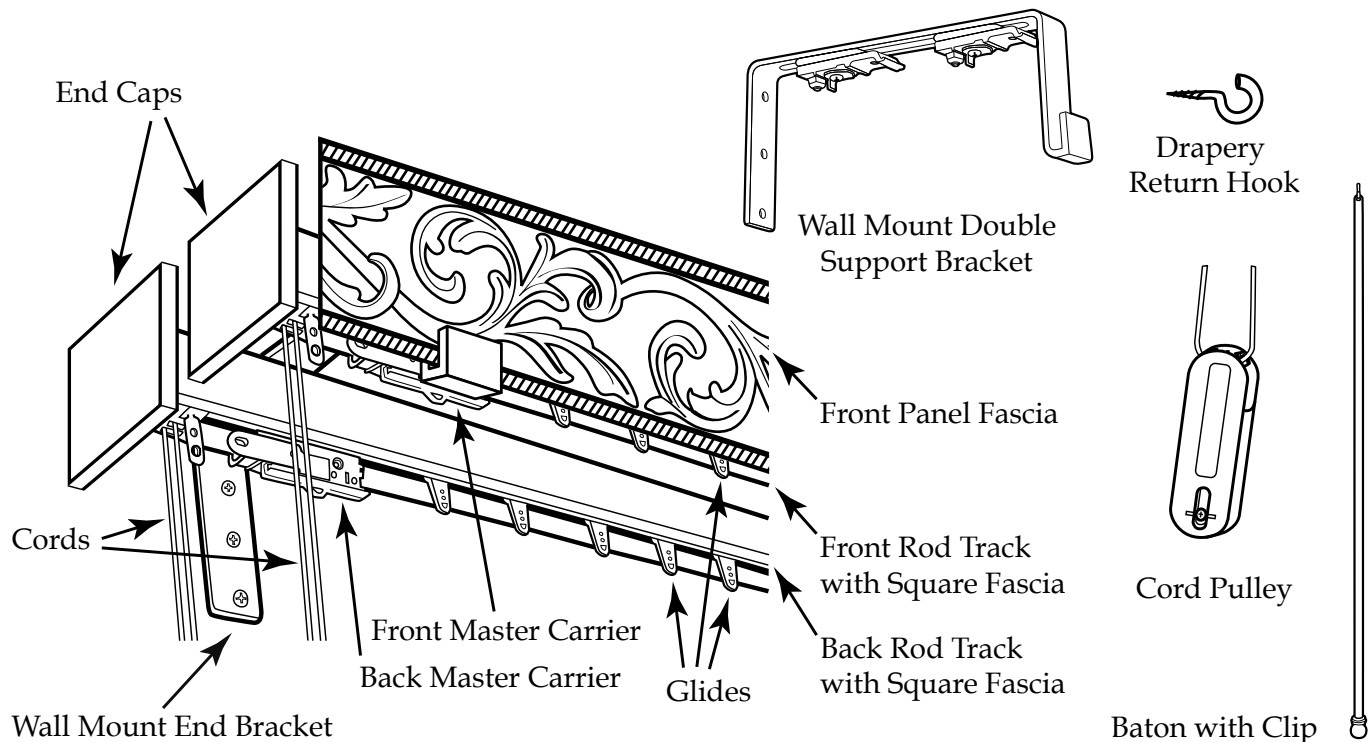


IT/IC1053CBD  
Double Ceiling Bracket  
(for systems with rings)



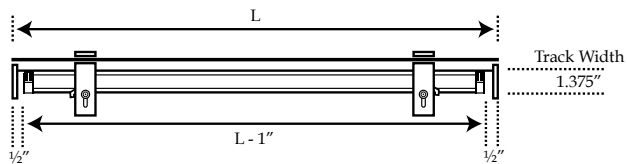
Space between double tracks is 3 1/4" - 6 7/8".

# DECO LITE TRAVERSING



## MEASUREMENT GUIDELINES

- Please specify fascia length when ordering.
- Track length will be 1" shorter than fascia length. (L - 1")



## Deco Lite Traversing Systems

*Traversing Systems designed to meet all of the custom needs of interior designers.*

- Single or Double Systems in Decorative Deco Lite Fascias.
- Heavy Duty Track and Accessories Automatically Included.
- Up to 30 Feet in Length.
- End and Support Brackets in Iron Customized for Heavy Duty Applications.
- Each Rod Includes a 1 1/4" Diameter Smooth Square Iron Fascia and End Caps.
- Wall Mount or Ceiling Mount Brackets have Expandable Projections.
- Cord Draw or Baton Draw.
- 11 Deco Lite Designs.
- Pinch Pleat or RippleFold.
- 35 Iron Art™ Finishes for Deco Lite Fascia, Rod Fascia, End Caps and Brackets.
- Custom Finishes Available.
- Four Finishes for Traversing Tracks: White, Black, Antique Bronze, and Gold.
- Colored Pinch Pleat Glides Coordinate with Track Finishes. RippleFold Glides are White.
- Heavy Duty Packaging.
- Shipped in 15 Business Days.

## Deco Lite Traversing Set Guide: Iron Bracket, Glide, and Ring Quantities

Product	Unit	QTY	Product	Unit	QTY
<b>Iron End Brackets</b> Single Bracket Back Plate: H 4 1/2" W 1" Double Bracket Back Plate: H 4 1/2" W 1 1/2"	SET	2	<b>Glides</b> Including Master Carrier	FOOT	4



## Deco Lite Traversing: Ordering Information

1. Sets automatically include: front panel fascia, square rod fascia, end caps, heavy duty tracks, glides, master carriers\*, cords and cord pulleys\*\*, drapery return hooks, two end brackets, and support brackets as needed per length.
2. Items sold separately: batons.
3. Rod set finishes: front panel fascia, square rod fascia, end caps, brackets, return hooks, master carriers and batons are finished as per finish specified in order.
4. Track finishes are available in White, Black, Antique Bronze, and Gold.
5. Glides for pinch pleats coordinate with the four track finishes. RippleFold glides are only available in white. Glides are supplied four per foot.
6. Please state fullness of 60%, 80%, 100%, or 120% when ordering RippleFold.
7. If desired, you may specify a baton drawn system. **Batons are sold separately.** Please see page 22 for Iron Art™ batons.
8. When ordering, please specify the Deco Lite design number, cord length (standard is 8'), cord placement (left or right), and draw (left stack, right stack, or center open).
9. Please specify wall or ceiling mount end brackets when ordering.
10. Deco Lite Traversing set pricing is rounded up to the next foot.
11. Maximum fabric weight for a 16' track is 62 lbs. for the heavy duty traverse track (automatically provided in each set).
12. All heavy duty tracks and fascia are available up to 30' (360") and are assembled and shipped in one piece. Front panel fascia comes as a single piece only. Tracks over 16' (192") are spliced. Tracks 16' (192") or less **will not** be spliced.
13. Maximum width for FedEx shipment is 102". All rods over 102" must be shipped by common carrier (truck line). Please note residential truck deliveries are restricted to 24' (288").
14. Deco Lite Traversing rods can be curved. Please contact customer service for a custom quote.
15. Custom finish: 25% additional charge. Please add a one time strike off charge (Product #IASTRIKE).

## Deco Lite Traversing Sets: Page 50 of Catalog

(Add Finials, Rings, Accessories, and Miscellaneous Charges Where Applicable)

Style	Set #	4 Feet	5 Feet	6 Feet	7 Feet	8 Feet	9 Feet	10 Feet	Additional Foot
Single System	DTKT-S	507	628	956	1065	1285	1435	1584	211
Double System	DTKT-D	858	1095	1260	1424	1660	1826	1990	310
<b>Number of Brackets Included:</b>		<b>2</b>	<b>3</b>	<b>3</b>	<b>3</b>	<b>4</b>	<b>4</b>	<b>4</b>	See Note <sup>†</sup>

<sup>†</sup>Additional brackets will be included at 11', 14', 17', 20', 23', 26', and 29'.

## Deco Lite Accessories: Page 49 of Catalog

Accessories & Charges	Product #	Unit	Price	Additional Information
<b>Additional Traversing Glides</b>	<b>TRGL</b>	EACH	<b>2</b>	Specify Quantity in Order / Standard is Four per Foot
<b>Additional Traversing Cord</b> (white)	<b>TRCR</b>	FOOT	<b>0.75</b>	Specify Length in Order / Standard is Eight Feet
<b>Strike Off Charge</b> (net)	<b>IASTRIKE</b>	EACH	<b>40</b>	One time strike off charge for custom finish
Additional Manual Support Brackets	Product #	Unit	Price	Additional Information
<b>Iron Wall Mount</b> (single)	<b>DT1050SBS</b>	EACH	<b>30</b>	3" to 4" Projection / Back Plate: H 1" W 3"
<b>Iron Wall Mount</b> (double)	<b>DT1051SBD</b>	EACH	<b>36</b>	Back Rod: 3" to 5¼" Projection / Front Rod: 8½" Projection Back Plate: H 1½" W 3" / Bracket Length: 10⅛" 3¼" - 5½" Available Space Between Tracks
<b>Iron Ceiling Mount</b> (single)	<b>DT1052CBS</b>	EACH	<b>34</b>	3" - 4" Projection / Ceiling Plate: H 1" W 3"
<b>Iron Ceiling Mount</b> (double)	<b>DT1053CBD</b>	EACH	<b>40</b>	Back Rod: 3" to 5¼" Projection / Front Rod: 8½" Projection Ceiling Plate: H 1½" W 3" / Bracket Length: 10⅛" 3¼" - 5½" Available Space Between Tracks
Additional Motorized Support Brackets	Product #	Unit	Price	Additional Information
<b>Iron Wall Mount</b> (single)	<b>DT1050SBSS</b>	EACH	<b>30</b>	1⅝" to 27⁄8" Projection / Back Plate: H 1" W 3"
<b>Iron Wall Mount</b> (double)	<b>DT1051SBSD</b>	EACH	<b>36</b>	Back Rod: 1⅝" to 4⅝" Projection / Front Rod: 8½" Projection Back Plate: H 1½" W 3" / Bracket Length: 10⅛" 3" - 6" Available Space Between Tracks
<b>Iron Ceiling Mount</b> (single)	<b>DT1052CBSS</b>	EACH	<b>34</b>	1⅝" to 27⁄8" Projection / Ceiling Plate: H 1" W 3"
<b>Iron Ceiling Mount</b> (double)	<b>DT1053CBSD</b>	EACH	<b>40</b>	Back Rod: 1⅝" to 4⅝" Projection / Front Rod: 8½" Projection Ceiling Plate: H 1½" W 3" / Bracket Length: 10⅛" 3" - 6" Available Space Between Tracks

\* Center open rods come with two master carriers, while one-way draw rods come with one.

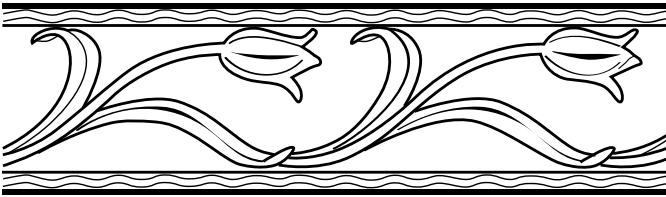
\*\* Cord drawn traversing sets include cords and cord pulleys. Batons for baton drawn sets are sold separately.

FASCIA DESIGNS

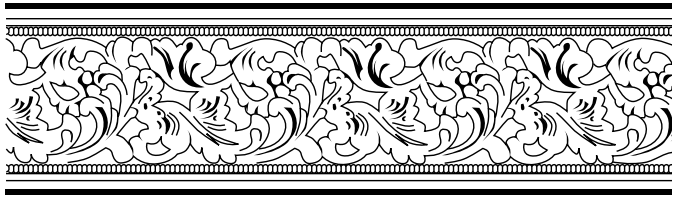
DT8021 - Acanthus Height: 3½"



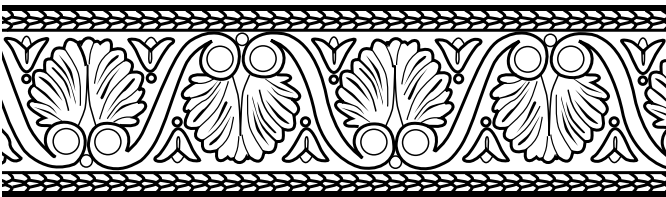
DT8023 - Tulip Height: 3½"



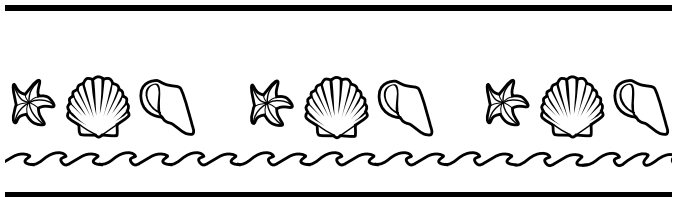
DT8034 - Spring Leaf Height: 3¾"



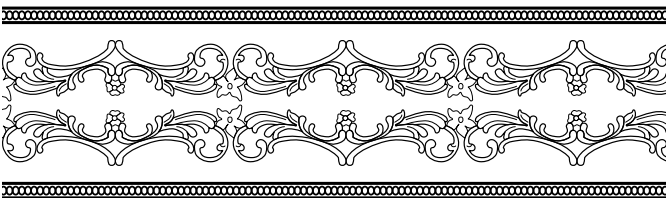
DT8026 - Baroque Height: 3¾"



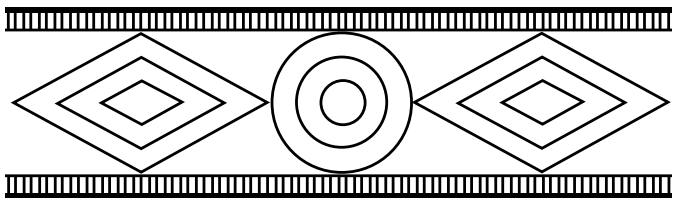
DT8036 - Sea Shore Height: 3¾"



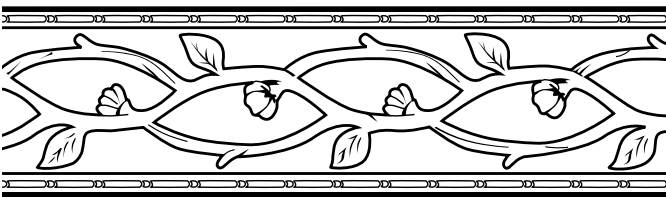
DT8028 - Embossed Height: 2⅞"



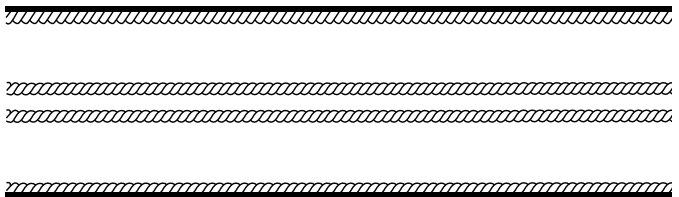
DT8055 - Infinite Geometry Height: 3⅝"



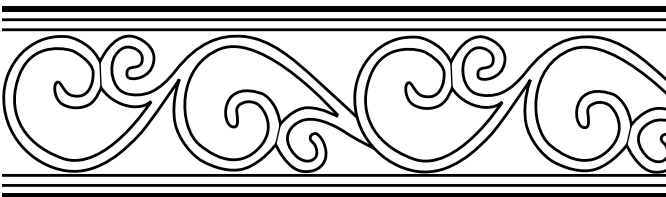
DT8030 - Bud Branch Height: 3½"



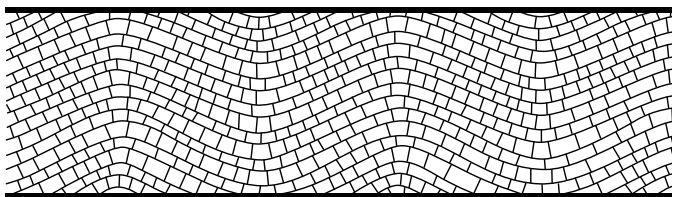
DT8057 - Classic Height: 3½"



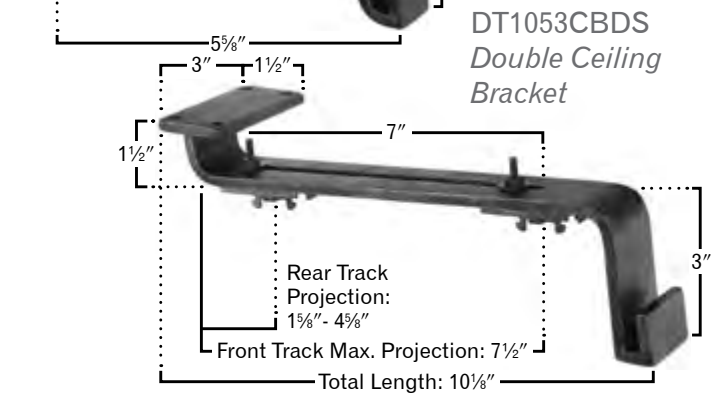
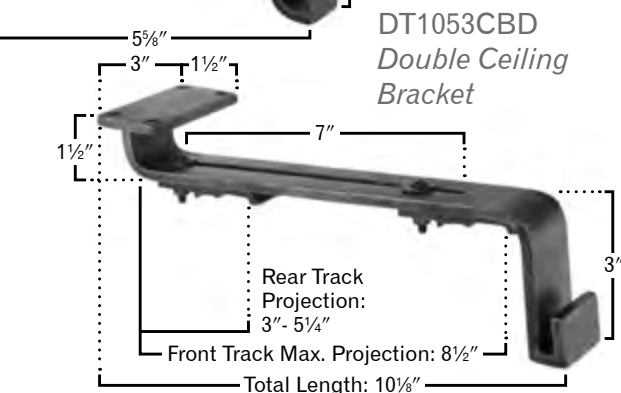
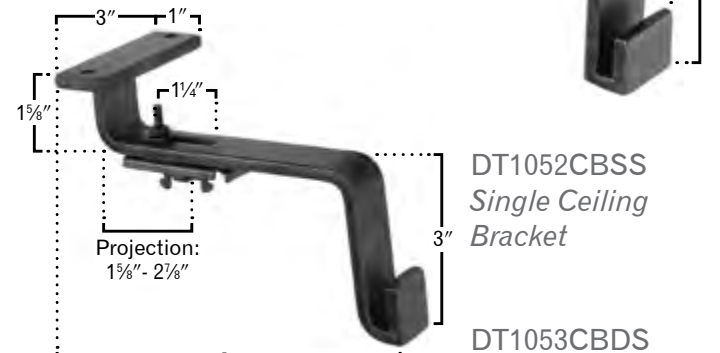
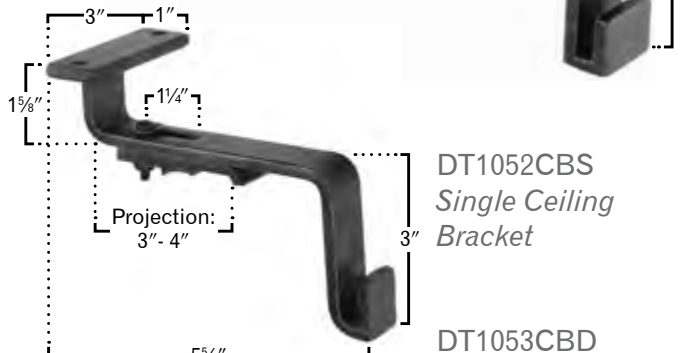
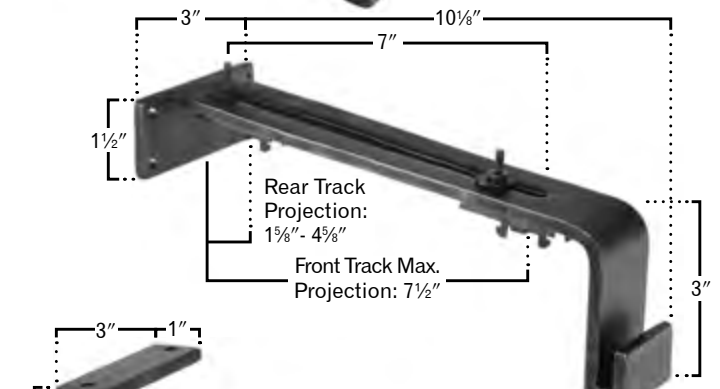
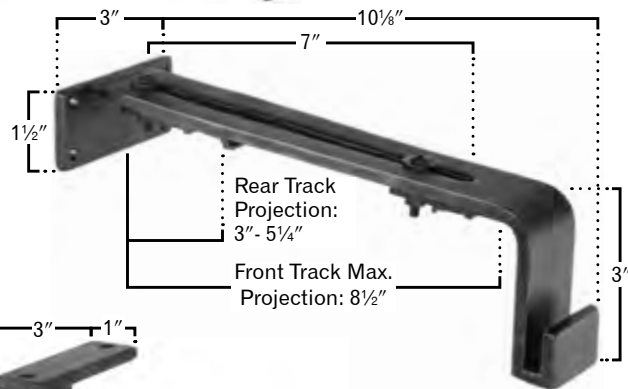
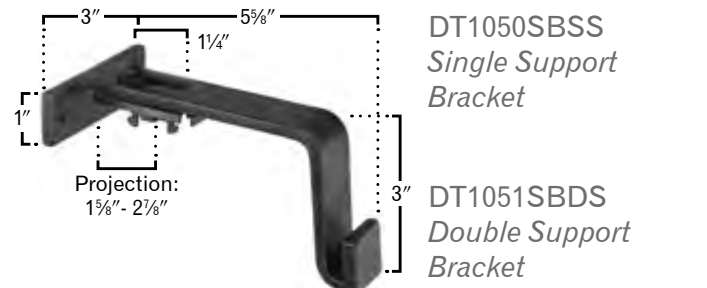
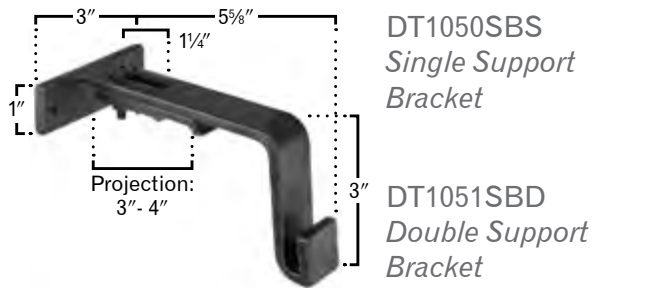
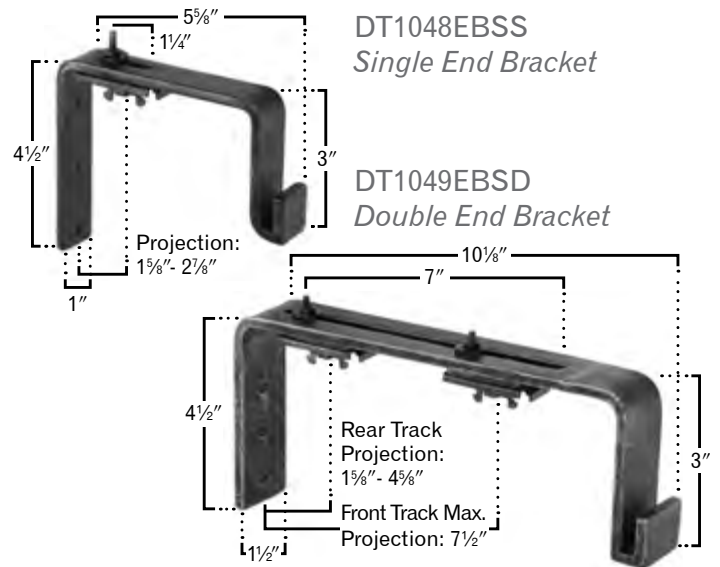
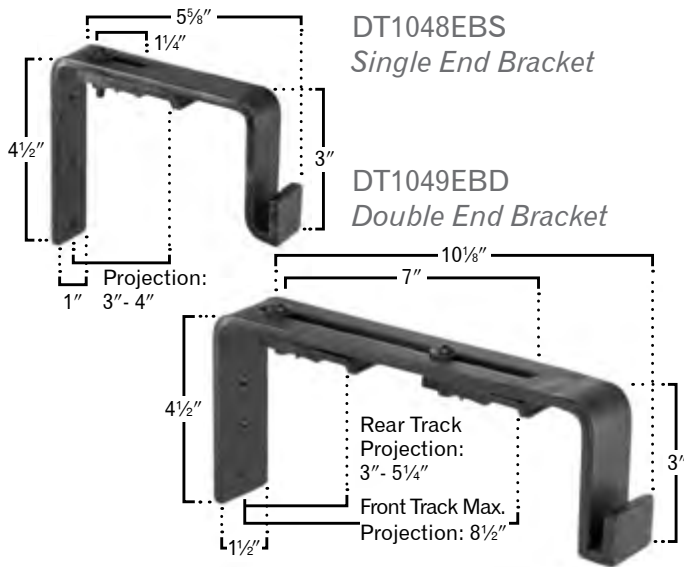
DT8032 - Spanish Scroll Height: 3½"



DT8059 - Royal Road Height: 3½"



# Bracket Guide: Deco Lite Manual and Motorized Traversing

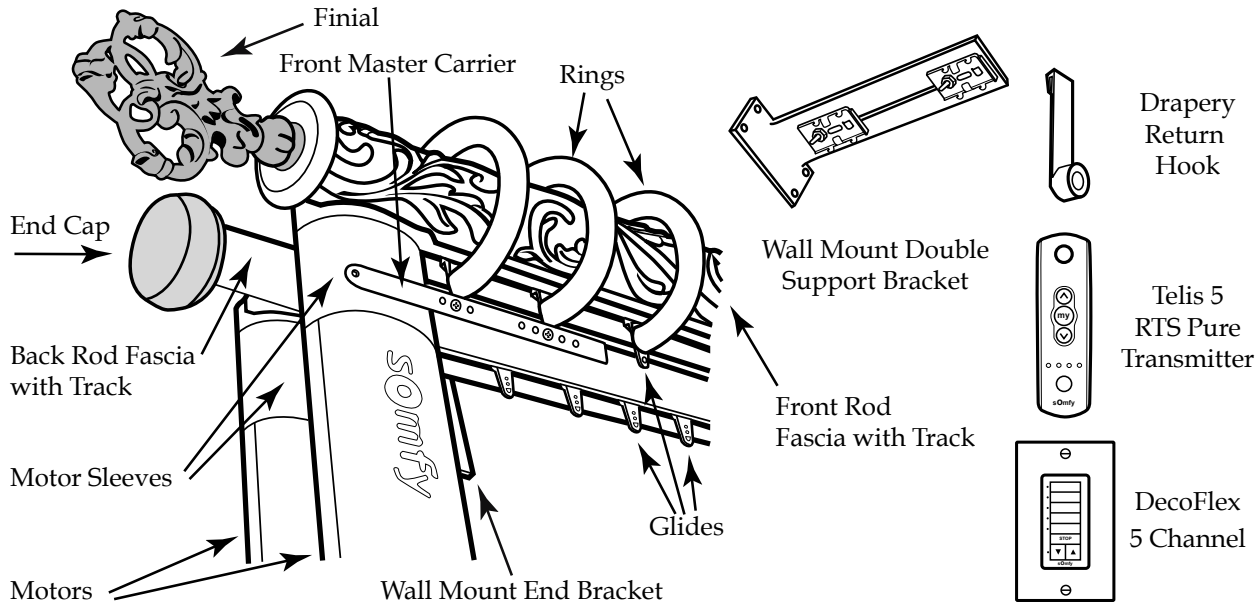


Space between double manual tracks is 3 1/4" - 5 1/2".

Space between double motorized tracks is 3" - 6".

# TRAVERSING WITH SOMFY

CHOOSE. TOUCH. RELAX.™



## Traversing Systems with Somfy

*Designed to meet all of the custom needs of interior designers.*

- Single or Double Systems in Iron, Italian, Wood, or Tuscany Rod Fascia.
- Heavy Duty Track and Accessories Automatically Included.
- Up to 30 Feet in Length.
- End and Support Brackets in Iron Customized for Heavy Duty Applications.
- Front Track with or without Rings.
- Back Rod Fascia Automatically Includes End Caps (Finished).
- Wall Mount or Ceiling Mount Brackets with Expandable Projections:  
Single: 2 1/4"-3 1/4" / Double: Front 4 1/4"-5 1/4", Back 2 1/4"-3 1/4".
- Iron, Italian, and Tuscany Rods May be Bent or Curved (Excludes Square Fascia Styles).
- Pinch Pleat or RippleFold.
- Four Finishes for Traversing Tracks:  
White, Black, Antique Bronze, and Gold.
- Colored Pinch Pleat Glides Coordinate with Track Finishes. RippleFold Glides are White.
- Miter Return Available.
- Heavy Duty Packaging.
- Shipped in 15 Business Days.

### Iron Rod Fascia Styles:

- 35 Iron Art™ Finishes and 6 Italian Collection Finishes for Rod Fascia, Finials, Rings, Brackets & End Caps (Back Rod Fascia Only).
- Rod Fascias:  
Round, Square, Fluted, and Round Hammered.
- Custom Finishes Available on Iron Fascia.
- Choose Finials From:  
Iron - Iron Finials, Bohemia Collection, and Village Forge Collection.  
Italian - Italian Finial & Bohemia Collection.
- Back Rod in Double Traverse System Comes with Iron Fascia 1 1/4" Diameter to Match Front Rod Style.

### Wood Rod Fascia Styles:

- 11 Wood Art™ Finishes for Rod Fascia, Finials, Rings, Brackets & End Caps (Back Rod Fascia Only).
- Rod Fascias and Diameters:  
Round: 2", 2 1/4", and 3"  
Fluted: 2", 2 1/4", and 3"  
Rope: 2", 2 1/4", and 3"
- Custom Finishes Available on Wood Fascia.
- Select Finials from New York Wood, Wood Craft, and Rosina Collections.
- Back Rod in Double Traverse System Comes with Wood Fascia 1 3/8" Diameter to Match Front Rod Style.

### Tuscany Traversing Fascia Styles:

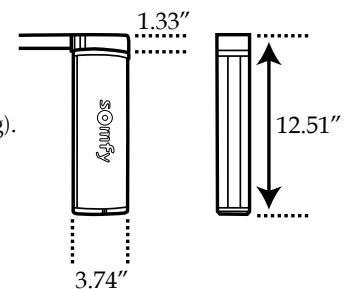
- 35 Iron Art™ Finishes for Rod Fascia, Finials, Rings, Brackets & End Caps (Back Rod Fascia Only).
- Rod Fascias: 11 Tuscany Designs.
- Custom Finishes Available on Tuscany Fascia.
- Choose Finials From:  
Iron Finials, Bohemia Collection, and Village Forge Collection.
- Back Rod in Double Traverse System Comes with Iron Fascia 1 1/4" Diameter to Match Front Rod Style.

### SOMFY MOTORIZATION SYSTEM

- Track, Fascia, Glides/Rings Come Assembled; Made-to-Measure.
- Round Iron Rods May be Bent or Curved. Tuscany Rods May be Curved.
- Radio Frequency (RTS) Drapery Motor. Smooth & Quiet Operation (<44dBa).
- Glydea Motor Plugs Directly into Standard 110 V AC Duplex Wall Outlet (Comes with 10Ft. Plug).
- Manual Override System Allows Drapery to be Drawn During Power Outages.
- Two Drapery Heading Types: Pinch Pleat or Ripplefold.
- Three Draw Options: Left Stack, Right Stack, Center Open.

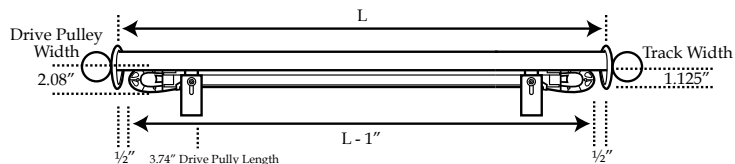
### GLYDEA 60E HEAVY DUTY MOTOR:

- Traverses up to 132 Lbs.
- Allows the User to Activate the Motorized Drapery Simply by Pulling on the Fabric.



### MEASUREMENT GUIDELINES

- Please specify fascia length when ordering.
- Track length will be 1" shorter than fascia length.



## Traversing with Somfy: Ordering Information

- Sets automatically include: rod fascia, heavy duty tracks, Somfy motors, motor sleeves, glides, master carriers\*, drapery return hooks, two end brackets, support brackets as needed per length, and back rod end caps (for double rods only).
- Items sold separately: finials, rings (front rod with pinch pleat glides only), and control accessories.
- Rod set finishes: rods, brackets, rings, motor sleeves, pulley caps, and master carriers are finished as per finish specified in order.
- Track finishes are available in White, Black, Antique Bronze, and Gold.
- Glides for pinch pleats coordinate with the four track finishes. RippleFold glides only available in white. Glides are supplied four per foot.
- Please state fullness of 80%, 100%, or 120% when ordering RippleFold.
- Traversing rods come with or without rings on the front rods with pinch pleat glides only. Back rods and RippleFold glides do not accommodate rings. Two stationary rings are placed on each end for center open systems, one ring is placed on the stack side for one-way draw systems.
- When ordering, specify motor placement (left or right), and draw (left stack, right stack, or center open).
- Please specify wall or ceiling mount end brackets when ordering. Due to limited clearance, we recommend using end caps as finials with ceiling mount brackets. Please contact customer service for a list of other finials which may be used.
- Somfy traversing set pricing is rounded up to the next foot.
- Maximum fabric weight for a 16' track is 62 lbs. for the heavy duty traverse track (automatically provided in each set).
- All Somfy traversing tracks come assembled and shipped in one piece.
  - All heavy duty tracks, iron rods, and wood rods (all diameters) are available up to 30' (360"). Rods over 16' (192") are spliced. Rods 16' (192") or less **will not** be spliced.
  - Italian Collection iron rods are available up to 20' (240"). Rods over 10' (120") are spliced. Rods 10' (120") or less **will not** be spliced.
- Maximum width for FedEx shipment is 102". All rods over 102" must be shipped by common carrier (truck line). Please note residential truck deliveries are restricted to 24' (288").
- When ordering with miter returns, please add Product #IT307MR, #IC307MR, or #WT307MR. The width entered should be the track measurement. Returns are available as 3½", 4½", 6", and 7".
- Iron, Italian and Tuscany Traversing rods can be curved, and Iron and Italian traversing rods can be bent (excludes square fascia styles). Please contact customer service for a custom quote.
- Custom finish: 25% additional charge. Please add a one time strike off charge (Product #IASTRIKE).
- Please refer to page 53 if you need additional brackets.

## Traversing with Somfy Accessories: Pages 56 - 57 of Catalog

Accessories & Charges	Product #	Unit	Price	Additional Information						
<b>Additional Traversing Glides</b>	<b>TRGL</b>	EACH	<b>2</b>	Specify Quantity in Order / Standard is Four per Foot						
<b>Strike Off Charge (net)</b>	<b>IASTRIKE</b>	EACH	<b>40</b>	One time strike off charge for custom finish						
<b>Miter with Return</b>										
<b>Designers' Choice: Iron</b>	<b>IT307MR</b>	EACH	<b>64</b>	Available in 3½", 4½", 6", and 7"						
<b>Designers' Choice: Italian</b>	<b>IC307MR</b>	EACH	<b>80</b>	Available in 3½", 4½", 6", and 7"						
<b>Designers' Choice: Wood</b>	<b>WT307MR</b>	EACH	<b>54</b>	Available in 3½", 4½", 6", and 7"						
<b>"C" Ring Styles (Front Rod Only)</b>	<b>Product #</b>	<b>Unit</b>	<b>1½"</b>		<b>2"</b>		<b>2" &amp; 2¼"</b>		<b>3"</b>	
			<b>Inner Diameter</b>	<b>Inner Diameter</b>	<b>Inner Diameter</b>	<b>Inner Diameter</b>	<b>Iron</b>	<b>Wood</b>	<b>Iron</b>	<b>Wood</b>
			<b>Iron</b>	<b>Italian</b>	<b>Iron</b>	<b>Italian</b>	<b>Wood</b>			
<b>Round Iron "C" Rings</b>	<b>IT/IC350STR</b>	EACH	<b>14</b>	<b>16</b>	<b>14</b>	<b>18</b>	<b>N/A</b>	<b>16</b>	<b>N/A</b>	<b>N/A</b>
<b>Square Iron "C" Rings</b>	<b>IT/IC352STR</b>	EACH	<b>14</b>	<b>16</b>	<b>14</b>	<b>18</b>	<b>N/A</b>	<b>N/A</b>	<b>N/A</b>	<b>N/A</b>
<b>Round Hammered Iron "C" Rings</b>	<b>IT356STR</b>	EACH	<b>15</b>	<b>N/A</b>	<b>15</b>	<b>N/A</b>	<b>N/A</b>	<b>16</b>	<b>N/A</b>	<b>N/A</b>
<b>Smooth Wood "C" Rings</b>	<b>WT5047STR</b>	EACH	<b>N/A</b>	<b>N/A</b>	<b>N/A</b>	<b>N/A</b>	<b>16</b>	<b>N/A</b>	<b>20</b>	<b>20</b>
<b>Fluted Wood "C" Rings</b>	<b>WT5049STR</b>	EACH	<b>N/A</b>	<b>N/A</b>	<b>N/A</b>	<b>N/A</b>	<b>16</b>	<b>N/A</b>	<b>20</b>	<b>20</b>

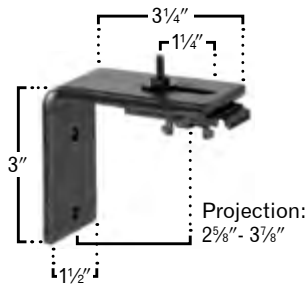
\* Center open rods come with two master carriers, while one-way draw rods come with one. Front rod carriers each hold two rings.

## Traversing with Somfy Accessories: Pages 56 - 57 of Catalog (continued)

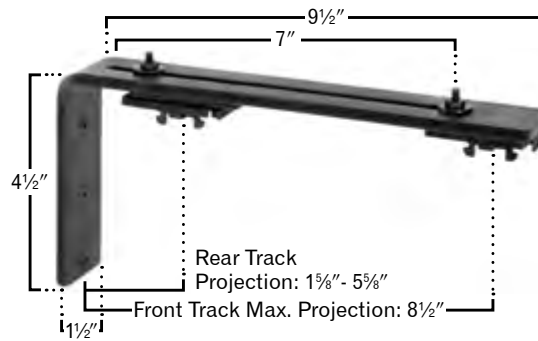
Additional Motors	Product #	Unit	Price	Additional Information
60e RTS Motor	SMTR60E	EACH	1000	Height: 11½", Width: 3⅝"
Control Accessories	Product #	Unit	Price	Additional Information
DecoFlex Table Top Acc., Silver	STTABLE-SL	EACH	73	Wireless Switch Accessory - Silver
DecoFlex Table Top Acc., Black	STTABLE-BL	EACH	73	Wireless Switch Accessory - Black
Cronis Comfort RTS Wireless Timer	CROWT	EACH	450	Single Channel 7 Day Programmable Timer
Sunis Indoor Wireless RTS	SUNIS-SUN	EACH	493	Sun Sensor
Thermosunis Indoor Wireless RTS	SUNIS-TMP	EACH	567	Sun and Temperature Sensor
Telis 1 Chronis RTS	STRP1-SS	EACH	480	Single Channel Zone Control & Programmable Timer - Silver Star
Telis 1 RTS Pure Transmitter	STRP1-PR	EACH	137	Single Channel Remote Control - Pure
Telis 1 RTS Silver Transmitter	STRP1-SL	EACH	214	Single Channel Remote Control - Silver
Telis 1 RTS Lounge Transmitter	STRP1-LO	EACH	214	Single Channel Remote Control - Lounge
Telis 5 RTS Pure Transmitter	STRP5-PR	EACH	178	Multi-Channel Remote Control - Pure
Telis 5 RTS Silver Transmitter	STRP5-SL	EACH	260	Multi-Channel Remote Control - Silver
Telis 5 RTS Lounge Transmitter	STRP5-LO	EACH	260	Multi-Channel Remote Control - Lounge
DecoFlex 1 Channel, White	STSW1-WH	EACH	319	Single Channel Wireless Switch - White
DecoFlex 1 Channel, Ivory	STSW1-IV	EACH	319	Single Channel Wireless Switch - Ivory
DecoFlex 1 Channel, Black	STSW1-BL	EACH	368	Single Channel Wireless Switch - Black
DecoFlex 5 Channel, White	STSW5-WH	EACH	335	Multi-Channel Wireless Switch - White
DecoFlex 5 Channel, Ivory	STSW5-IV	EACH	335	Multi-Channel Wireless Switch - Ivory
DecoFlex 5 Channel, Black	STSW5-BL	EACH	386	Multi-Channel Wireless Switch - Black
Additional Support Brackets	Product #	Unit	Price	Additional Information
Iron Wall Mount ( <i>single</i> )	IT1050SBSS	EACH	20	2⅝" to 3⅞" Projection / Back Plate: H 1½" W 3"
Iron Wall Mount ( <i>double</i> )	IT1051SBSD	EACH	26	Back Rod: 1⅝" to 5⅝" Projection / Front Rod: 8½" Projection Back Plate: H 1½" W 3" / Bracket Length: 9½" 2⅞" - 6¾" Available Space Between Tracks
Iron Ceiling Mount ( <i>single</i> )*	IT1052CBSS	EACH	20	1⅜" to 2⅝" Projection / Ceiling Plate: H 1½" W 3"
Iron Ceiling Mount ( <i>double</i> )*	IT1053CBSD	EACH	28	Back Rod: 1⅝" to 5⅝" Projection / Front Rod: 8½" Projection Ceiling Plate: H 1½" W 3" / Bracket Length: 10¼" - 10½" 2⅞" - 6¾" Available Space Between Tracks
Italian Wall Mount ( <i>single</i> )	IC1050SBSS	EACH	31	2⅝" to 3⅞" Projection / Back Plate: H 1½" W 3"
Italian Wall Mount ( <i>double</i> )	IC1051SBSD	EACH	35	Back Rod: 1⅝" to 5⅝" Projection / Front Rod: 8½" Projection Back Plate: H 1½" W 3" / Bracket Length: 9½" 2⅞" - 6¾" Available Space Between Tracks
Italian Ceiling Mount ( <i>single</i> )*	IC1052CBSS	EACH	32	1⅜" to 2⅝" Projection / Ceiling Plate: H 1½" W 3"
Italian Ceiling Mount ( <i>double</i> )*	IC1053CBSD	EACH	35	Back Rod: 1⅝" to 5⅝" Projection / Front Rod: 8½" Projection Ceiling Plate: H 1½" W 3" / Bracket Length: 10¼" - 10½" 2⅞" - 6¾" Available Space Between Tracks
Deco Lite Iron Wall Mount ( <i>single</i> )	DT1050SBSS	EACH	30	1⅝" to 2⅞" Projection / Back Plate: H 1" W 3"
Deco Lite Iron Wall Mount ( <i>double</i> )	DT1051SBSD	EACH	36	Back Rod: 1⅝" to 4⅝" Projection / Front Rod: 8½" Projection Back Plate: H 1½" W 3" / Bracket Length: 10⅞" 3" - 6" Available Space Between Tracks
Deco Lite Iron Ceiling Mount ( <i>single</i> )	DT1052CBSS	EACH	34	1⅝" to 2⅞" Projection / Ceiling Plate: H 1" W 3"
Deco Lite Iron Ceiling Mount ( <i>double</i> )	DT1053CBSD	EACH	40	Back Rod: 1⅝" to 4⅝" Projection / Front Rod: 8½" Projection Ceiling Plate: H 1½" W 3" / Bracket Length: 10⅞" 3" - 6" Available Space Between Tracks

# Bracket Guide: Somfy Traversing

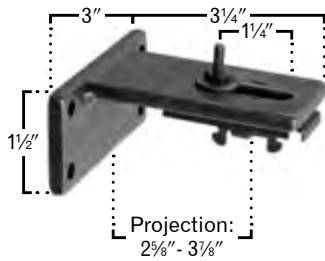
IT/IC1048EBSS  
Single End Bracket



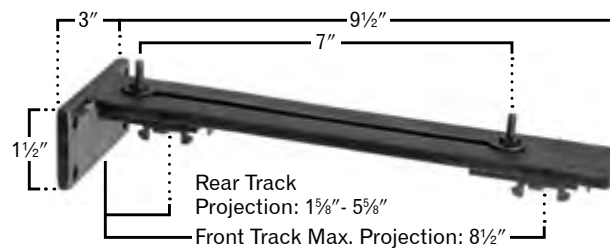
IT/IC1049EBSD  
Double End Bracket



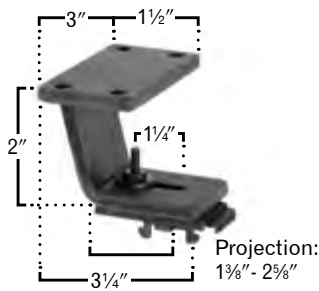
IT/IC1050SBSS  
Single Support Bracket



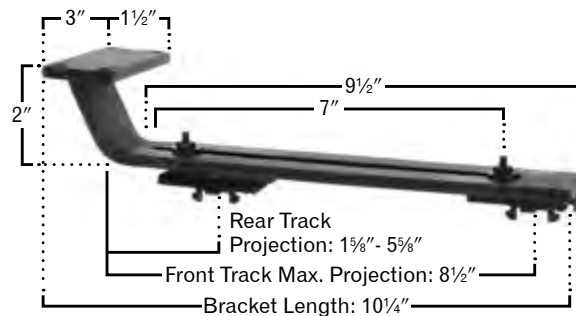
IT/IC1051SBSD  
Double Support Bracket



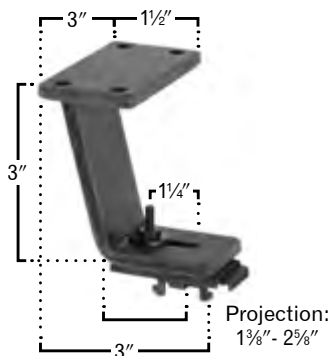
IT/IC1052CBSS  
Single Ceiling Bracket  
(for systems without rings)



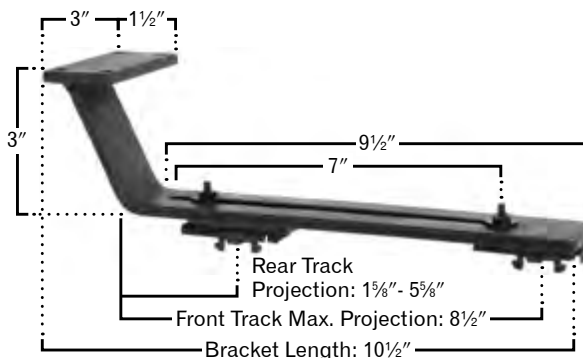
IT/IC1053CBSD  
Double Ceiling Bracket  
(for systems without rings)



IT/IC1052CBSS  
Single Ceiling Bracket  
(for systems with rings)



IT/IC1053CBSD  
Double Ceiling Bracket  
(for systems with rings)



Space between double tracks is 2 7/8" - 6 3/4".  
See page 49 for Deco Lite Traversing brackets.

## Single Traversing with Somfy Sets: Pages 52-55 of Catalog

(Add Finials, Rings, Controls, and Miscellaneous Charges Where Applicable)

Style	Set #	4 Feet	5 Feet	6 Feet	7 Feet	8 Feet	9 Feet	10 Feet	Additional Foot
Track Only	ST60E-S	1474	1526	1572	1618	1664	1716	1762	48
Tuscany Traversing (11 Designs)	TTST-S	2238	2469	2675	2881	3088	3319	3525	215
Deco Lite Traversing (11 Designs)	DTST-S	2141	2415	2627	2838	3091	3324	3536	260
<b>Designers' Choice: Iron</b>									
Round 1½" Dia.	STRR-S-112	1854	2046	2217	2387	2558	2750	2921	178
Round 2" Dia.	STRR-S-200	1859	2057	2233	2409	2585	2783	2959	184
Round 3" Dia.	STRR-S-300	1980	2189	2376	2563	2750	2959	3146	195
Round Hammered 1½" Diameter	STRH-S-112	1958	2162	2343	2525	2706	2910	3091	189
Round Hammered 2" Diameter	STRH-S-200	1964	2173	2360	2547	2734	2943	3130	195
Round Hammered 3" Diameter	STRH-S-300	2074	2294	2492	2690	2888	3108	3306	206
Square 1½" Dia.	STSQ-S-112	1991	2189	2365	2541	2717	2915	3091	192
Square 2" Dia.	STSQ-S-200	2002	2206	2387	2569	2750	2954	3135	198
Fluted 1½" Dia.	STFL-S-112	2046	2255	2442	2629	2816	3025	3212	204
Fluted 2" Dia.	STFL-S-200	2057	2272	2464	2657	2849	3064	3256	209
<b>Designers' Choice: Italian</b>									
Round 1½" Dia.	STIR-S-112	2090	2323	2527	2730	2934	3167	3370	213
Round 2" Dia.	STIR-S-200	2101	2340	2549	2758	2967	3205	3414	219
Square 1½" Dia.	STIQ-S-112	2112	2351	2560	2769	2978	3216	3425	219
Square 2" Dia.	STIQ-S-200	2123	2367	2582	2796	3011	3255	3469	224
<b>Designers' Choice: Wood</b>									
Smooth 2" Dia.	STSM-S-200	1854	2052	2228	2404	2580	2778	2954	184
Smooth 2¼" Dia.	STSM-S-214	1854	2052	2228	2404	2580	2778	2954	184
Smooth 3" Dia.	STSM-S-300	1887	2096	2283	2470	2657	2866	3053	195
Fluted 2" Dia.	STWF-S-200	1854	2052	2228	2404	2580	2778	2954	184
Fluted 2¼" Dia.	STWF-S-214	1854	2052	2228	2404	2580	2778	2954	184
Fluted 3" Dia.	STWF-S-300	1887	2096	2283	2470	2657	2866	3053	195
Rope 2" Dia.	STRP-S-200	1892	2101	2288	2470	2662	2871	3058	195
Rope 2¼" Dia.	STRP-S-214	1936	2162	2365	2569	2772	2998	3201	211
Rope 3" Dia.	STRP-S-300	1964	2200	2415	2629	2844	3080	3295	222
<b>Number of Brackets Included:</b>		<b>3</b>	<b>4</b>	<b>4</b>	<b>4</b>	<b>5</b>	<b>5</b>	<b>5</b>	See Note*

\*Additional bracket will be included at 11', 14', 17', 20', 23', 26', and 29'.



## Double Traversing with Somfy Sets: Pages 52-55 of Catalog

(Add Finials, Rings, Controls, and Miscellaneous Charges Where Applicable)

Style	Set #	4 Feet	5 Feet	6 Feet	7 Feet	8 Feet	9 Feet	10 Feet	Additional Foot
Track Only	ST60E-D	2948	3051	3144	3236	3329	3432	3524	97
Tuscany Traversing (11 Designs)	TTST-D	4288	4603	4884	5165	5446	5863	6043	293
Deco Lite Traversing (11 Designs)	DTST-D	4534	4931	5294	5616	5979	6437	6617	375
<b>Designers' Choice: Iron</b>									
Round 1½" Dia.	STRR-D-112	3751	4023	4265	4507	4749	5020	5262	252
Round 2" Dia.	STRR-D-200	3762	4039	4287	4534	4782	5059	5306	257
Round 3" Dia.	STRR-D-300	3784	4067	4320	4573	4826	5108	5361	263
Round Hammered 1½" Diameter	STRH-D-112	3773	4050	4298	4545	4793	5070	5317	257
Round Hammered 2" Diameter	STRH-D-200	3784	4067	4320	4573	4826	5108	5361	263
Round Hammered 3" Diameter	STRH-D-300	3806	4094	4353	4611	4870	5158	5416	268
Square 1½" Dia.	STSQ-D-112	3834	4100	4336	4573	4809	5075	5312	246
Square 2" Dia.	STSQ-D-200	3845	4116	4358	4600	4842	5114	5356	252
Fluted 1½" Dia.	STFL-D-112	3922	4204	4457	4710	4963	5246	5499	263
Fluted 2" Dia.	STFL-D-200	3933	4221	4479	4738	4996	5284	5543	268
<b>Designers' Choice: Italian</b>									
Round 1½" Dia.	STIR-D-112	4152	4491	4796	5100	5405	5744	6049	316
Round 2" Dia.	STIR-D-200	4163	4508	4819	5129	5440	5785	6095	322
Square 1½" Dia.	STIQ-D-112	4157	4502	4813	5123	5434	5779	6089	322
Square 2" Dia.	STIQ-D-200	4169	4520	4836	5152	5468	5819	6135	328
<b>Designers' Choice: Wood</b>									
Smooth 2" Dia.	STSM-D-200	3740	4006	4243	4479	4716	4982	5218	246
Smooth 2¼" Dia.	STSM-D-214	3740	4006	4243	4479	4716	4982	5218	246
Smooth 3" Dia.	STSM-D-300	3762	4039	4287	4534	4782	5059	5306	257
Fluted 2" Dia.	STWF-D-200	3740	4006	4243	4479	4716	4982	5218	246
Fluted 2¼" Dia.	STWF-D-214	3740	4006	4243	4479	4716	4982	5218	246
Fluted 3" Dia.	STWF-D-300	3762	4039	4287	4534	4782	5059	5306	257
Rope 2" Dia.	STRP-D-200	3839	4133	4397	4661	4925	5218	5152	274
Rope 2¼" Dia.	STRP-D-214	3845	4144	4413	4683	4952	5251	5521	279
Rope 3" Dia.	STRP-D-300	3889	4193	4468	4743	5018	5323	5598	285
<b>Number of Brackets Included:</b>		<b>3</b>	<b>4</b>	<b>4</b>	<b>4</b>	<b>5</b>	<b>5</b>	<b>5</b>	See Note*

\*Additional bracket will be included at 11', 14', 17', 20', 23', 26', and 29'.

## Additional Master Carriers for Traversing Sets

Additional master carriers for manual and motorized traversing sets including: Designers' Choice Traversing, Tuscany Traversing, Deco Lite Traversing, Tuscany Collection Cornices, and Tropical Collection Cornices.

Master Carriers for Traversing Sets	Product #	Unit	Price	Includes:
<b>Manual Traversing:</b>				
Master Carrier Set with Rings in Iron Art Finishes	MCSRDC-IA	EACH	92	<ul style="list-style-type: none"> <li>• One straight master carrier for rings.</li> <li>• One overlap master carrier for rings.</li> <li>• Four rings (two for each carrier).</li> </ul>
Master Carrier Set with Rings in Italian Finishes	MCSRDC-IT	EACH	110	<ul style="list-style-type: none"> <li>• One straight master carrier.</li> <li>• One overlap master carrier.</li> </ul>
Master Carrier Set in Iron Art Finishes	MCSDC-IA	EACH	70	<ul style="list-style-type: none"> <li>• One straight or overlap master carrier for rings. Please specify in order.</li> <li>• Two rings.</li> </ul>
Master Carrier Set in Italian Finishes	MCSDC-IT	EACH	70	<ul style="list-style-type: none"> <li>• One straight or overlap master carrier.</li> <li>• One overlap master carrier.</li> </ul>
Single Master Carrier with Rings in Iron Art Finishes	MCRDC-IA	EACH	46	<ul style="list-style-type: none"> <li>• One straight or overlap master carrier for rings. Please specify in order.</li> <li>• Two rings.</li> </ul>
Single Master Carrier with Rings in Italian Finishes	MCRDC-IT	EACH	55	<ul style="list-style-type: none"> <li>• One straight or overlap master carrier.</li> <li>• One overlap master carrier.</li> </ul>
Single Master Carrier in Iron Art Finishes	MCDC-IA	EACH	35	<ul style="list-style-type: none"> <li>• One straight or overlap master carrier. Please specify in order.</li> </ul>
Single Master Carrier in Italian Finishes	MCDC-IT	EACH	35	
<b>Somfy Motorized Traversing:</b>				
Master Carrier Set with Rings in Iron Art Finishes	MCSRSM-IA	EACH	92	<ul style="list-style-type: none"> <li>• One straight master carrier for rings.</li> <li>• One overlap master carrier for rings.</li> <li>• Four rings (two for each carrier).</li> </ul>
Master Carrier Set with Rings in Italian Finishes	MCSRSM-IT	EACH	110	<ul style="list-style-type: none"> <li>• One straight master carrier.</li> <li>• One overlap master carrier.</li> </ul>
Master Carrier Set in Iron Art Finishes	MCSSM-IA	EACH	70	<ul style="list-style-type: none"> <li>• One straight or overlap master carrier for rings. Please specify in order.</li> <li>• Two rings.</li> </ul>
Master Carrier Set in Italian Finishes	MCSSM-IT	EACH	70	<ul style="list-style-type: none"> <li>• One straight or overlap master carrier.</li> <li>• One overlap master carrier.</li> </ul>
Single Master Carrier with Rings in Iron Art Finishes	MCRSM-IA	EACH	46	<ul style="list-style-type: none"> <li>• One straight or overlap master carrier for rings. Please specify in order.</li> <li>• Two rings.</li> </ul>
Single Master Carrier with Rings in Italian Finishes	MCRSM-IT	EACH	55	<ul style="list-style-type: none"> <li>• One straight or overlap master carrier.</li> <li>• One overlap master carrier.</li> </ul>
Single Master Carrier in Iron Art Finishes	MCSM-IA	EACH	35	<ul style="list-style-type: none"> <li>• One straight or overlap master carrier. Please specify in order.</li> </ul>
Single Master Carrier in Italian Finishes	MCSM-IT	EACH	35	

## Italian Collection: Ordering Information

1. The Italian Collection is available in finish I: Brushed Nickel, Finish J: Polished Chrome, and Finish K: Black Nickel, Oiled Bronze, Satin Copper, and Satin Gold for 3/4", 1", and 1 1/4" Round or Square Hollow Rods only.
2. Standard elbows are available at 45° and 90°. For other angles, please add Product #7041 as a custom angle charge to the order.
3. Rods can be spliced together to provide any length using a rod connector. Please add Product #300 to the order.

## Italian Collection (Metal Plated Hardware): Pages 58 - 61 of Catalog

Product #	Unit	Italian Finishes			Additional Information
		I	J	K	
300	EACH	16	16	16	Connector for Spliced Rods
321	EACH	26	31	34	Decorative Cap / Interior Fit / For Round Hollow Rods
7001	EACH	45	54	59	Interior Fit Only: Length: 1 3/4" Height: 1/4" Not Available for Traversing
7002	EACH	39	47	51	Interior Fit Only: Diameter: 1 1/2" Not Available for Traversing

## Italian Collection (Metal Plated Hardware): Pages 58 - 61 of Catalog (continued)

Product #	Unit	Italian Finishes			Additional Information
		I	J	K	
7003	EACH	49	58	63	Interior Fit Only: Diameter: 2" Available for Traversing
7004	EACH	38	45	49	Interior Fit Only: Length: 2" Height: 1½" Not Available for Traversing
7005	EACH	41	49	53	Interior Fit Only: Length: 2" Height: 1⅝" Not Available for Traversing
7005L	EACH	57	68	74	Interior Fit Only: Length: 3" Height: 1¾" Available for Traversing
7006	EACH	43	52	56	Interior Fit Only: Length: 2" Height: 1" Not Available for Traversing
7006L	EACH	61	73	79	Interior Fit Only: Length: 3" Height: 1¾" Available for Traversing
7007-RND/SQ	FOOT	55	65	70	Rod with Returns / Includes Sockets / Maximum Length: 106" Available in ¾" and 1" Diameter. See measurement guidelines on page 28.
7009-RND/SQ	EACH	25	30	33	Elbow / Specify Interior or Exterior Fit and Angle
7010-RND/SQ	EACH	6	7	8	Half Open Socket
7011-RND/SQ	EACH	6	7	8	Full Socket
7012	EACH	9	10	11	Round Ring with Clip / Available with the following Interior Diameters: 1", 1¼", 1½", and 1¾"
7013	EACH	9	10	11	Round Ring / Available with the following Interior Diameters: 1", 1¼", 1½", and 1¾"
7014-RND/SQ	EACH	39	46	50	Bracket with 3" Projection
7015-RND/SQ	EACH	42	50	54	Bracket with 6" Projection
7016-RND/SQ	EACH	15	18	20	End Cap
7017	EACH	73	88	95	Corner Bracket / Only Available as Exterior Fit
7018	EACH	80	95	103	Movable Elbow / Interior Fit Only
7019	FOOT	19	23	25	¾" Round Rod / Maximum Length for a Single Piece: 120"
7020	FOOT	26	31	34	1" Round Rod / Maximum Length for a Single Piece: 120"
7021	FOOT	19	23	25	¾" Square Rod / Maximum Length for a Single Piece: 120"
7022	FOOT	26	31	34	1" Square Rod / Maximum Length for a Single Piece: 120"
7023	FOOT	32	39	42	1¼" Round Rod / Maximum Length for a Single Piece: 120"
7024	FOOT	32	39	42	1¼" Square Rod / Maximum Length for a Single Piece: 120"
7035-RND/SQ	EACH	25	30	33	Single Rod Ceiling Mount Bracket
7036-RND	EACH	35	42	46	Double Rod Ceiling Mount Bracket
7038	EACH	65	77	84	3" Projection Eyelet Bracket
7039	EACH	82	98	107	6" Projection Eyelet Bracket
7040-RND/SQ	EACH	58	70	75	Double Bracket / 3" and 6" Projections
7041	EACH	67	80	87	Custom Elbow Angle Change
7102	FOOT	18	18	18	Rod Bending - ¾" to 1¼" Diameter Rods
7187	EACH	42	46	50	"U" Shape Bend Charge for Finials: 3½" Projection
7188	EACH	42	46	50	Expandable Post Projection: 3"-4½" Projection (Finials Extra)
7352	EACH	10	12	13	Square Ring / Available with the following Interior Dimensions: 1" x 1½", 1¼" x 1¾", and 1½" x 2"

## Italian Collection: Unique Collection (By Pass System) Page 61 of Catalog - For Round Rods Only

Product #	Unit	Italian Finishes			Additional Information
		I	J	K	
7014SE	EACH	44	53	57	Single End Bracket / 3" Projection
7015SE	EACH	51	61	66	Single End Bracket / 6" Projection
7040DE	EACH	59	71	77	Double End Bracket / 3" and 6" Projections
7318-3P	EACH	42	50	54	Single Support Bracket / 3" Projection
7318-6P	EACH	46	55	60	Single Support Bracket / 6" Projection
7319	EACH	51	61	66	Double Support Bracket / 3" and 6" Projections
7330C	EACH	9	10	11	"C" Ring to Match Rod Size / See Page 23 for More Details

## Italian Collection (Finials with Wood Insert; Available in 3 Finishes) - Page 59 of Catalog

7070	EACH	57	68	74	Length: 3 <sup>3</sup> / <sub>8</sub> " Height: 1" Not Available for Traversing
7070L	EACH	60	72	78	Length: 3 <sup>3</sup> / <sub>4</sub> " Height: 1 <sup>3</sup> / <sub>8</sub> " Not Available for Traversing
7071	EACH	57	68	74	Length: 3 <sup>3</sup> / <sub>8</sub> " Height: 1" Not Available for Traversing
7071L	EACH	60	72	78	Length: 3 <sup>3</sup> / <sub>4</sub> " Height: 1 <sup>3</sup> / <sub>8</sub> " Not Available for Traversing
7072	EACH	57	68	74	Length: 3 <sup>3</sup> / <sub>8</sub> " Height: 1" Not Available for Traversing
7072L	EACH	60	72	78	Length: 3 <sup>3</sup> / <sub>4</sub> " Height: 1 <sup>3</sup> / <sub>8</sub> " Not Available for Traversing

## Italian Collection: Baton 1014 - Page 60 of Catalog

Italian Finish	Unit	Price per Length				
		12"-24"	25"-48"	49"-72"	73"-84"	85"-108"
I	EACH	55	66	86	106	131
J	EACH	66	79	103	128	157
K	EACH	71	85	112	138	170

## Bohemia Collection: Ordering Information

- All finials are available to fit 3/4", 1" and 1 1/4" round and square hollow rods and 1 1/2" traversing rods.
  - Finials are available as interior fit **ONLY**.
  - Rod finishes are available in 35 Iron Art™ and 6 Italian Collection finishes.
- Select finials are available to fit 1 3/8", 2", and 2 1/4" wood poles in smooth, fluted, and rope styles and 2" and 2 1/4" traversing poles.
  - Finials screw in for wood poles with a round metal adaptor finished to match the pole.
  - Pole finishes are available in 35 Iron Art™ and 11 Wood Art™ finishes.
- Finials are shipped in custom boxes to ensure high quality protection.

## Bohemia Collection: Page 62 - 65 of Catalog

Product #	Unit	Price	Length	Height	Use with Wood	Product #	Unit	Price	Length	Height	Use with Wood
771	EACH	65	2 <sup>3</sup> / <sub>8</sub> "	2 <sup>1</sup> / <sub>4</sub> "	Y 1 <sup>3</sup> / <sub>8</sub> ", 2", 2 <sup>1</sup> / <sub>4</sub> "	782	EACH	75	2 <sup>7</sup> / <sub>8</sub> "	2 <sup>3</sup> / <sub>4</sub> "	Y 1 <sup>3</sup> / <sub>8</sub> ", 2", 2 <sup>1</sup> / <sub>4</sub> "
772	EACH	73	2 <sup>3</sup> / <sub>4</sub> "	2 <sup>3</sup> / <sub>8</sub> "	Y 1 <sup>3</sup> / <sub>8</sub> ", 2", 2 <sup>1</sup> / <sub>4</sub> "	783	EACH	60	1 <sup>7</sup> / <sub>8</sub> "	2"	N
773	EACH	73	2 <sup>3</sup> / <sub>4</sub> "	2 <sup>3</sup> / <sub>8</sub> "	Y 1 <sup>3</sup> / <sub>8</sub> ", 2", 2 <sup>1</sup> / <sub>4</sub> "	784	EACH	81	2 <sup>3</sup> / <sub>8</sub> "	2 <sup>7</sup> / <sub>8</sub> "	N
774	EACH	66	2"	2 <sup>3</sup> / <sub>4</sub> "	Y 1 <sup>3</sup> / <sub>8</sub> ", 2", 2 <sup>1</sup> / <sub>4</sub> "	785	EACH	65	2 <sup>1</sup> / <sub>2</sub> "	1 <sup>1</sup> / <sub>2</sub> "	N
775	EACH	82	2 <sup>3</sup> / <sub>4</sub> "	2 <sup>1</sup> / <sub>2</sub> "	Y 1 <sup>3</sup> / <sub>8</sub> ", 2", 2 <sup>1</sup> / <sub>4</sub> "	786	EACH	73	3"	2 <sup>3</sup> / <sub>8</sub> "	N
776	EACH	73	2 <sup>3</sup> / <sub>8</sub> "	3 <sup>1</sup> / <sub>8</sub> "	Y 1 <sup>3</sup> / <sub>8</sub> ", 2", 2 <sup>1</sup> / <sub>4</sub> "	787	EACH	71	3 <sup>1</sup> / <sub>2</sub> "	2"	Y 1 <sup>3</sup> / <sub>8</sub> ", 2", 2 <sup>1</sup> / <sub>4</sub> "
777	EACH	77	3"	2 <sup>3</sup> / <sub>4</sub> "	Y 1 <sup>3</sup> / <sub>8</sub> ", 2", 2 <sup>1</sup> / <sub>4</sub> "	788	EACH	71	3 <sup>1</sup> / <sub>2</sub> "	2"	Y 1 <sup>3</sup> / <sub>8</sub> ", 2", 2 <sup>1</sup> / <sub>4</sub> "
778	EACH	62	1 <sup>1</sup> / <sub>4</sub> "	2 <sup>3</sup> / <sub>8</sub> "	Y 1 <sup>3</sup> / <sub>8</sub> " Only	789	EACH	56	3/4"	2"	N
779	EACH	69	1 <sup>1</sup> / <sub>2</sub> "	3 <sup>1</sup> / <sub>8</sub> "	Y 1 <sup>3</sup> / <sub>8</sub> ", 2", 2 <sup>1</sup> / <sub>4</sub> "	790	EACH	56	3/4"	2"	Y 1 <sup>3</sup> / <sub>8</sub> " Only
780	EACH	73	3"	3 <sup>1</sup> / <sub>8</sub> "	N	791	EACH	73	3 <sup>5</sup> / <sub>8</sub> "	3 <sup>5</sup> / <sub>8</sub> "	Y 1 <sup>3</sup> / <sub>8</sub> ", 2", 2 <sup>1</sup> / <sub>4</sub> "
781	EACH	58	2 <sup>1</sup> / <sub>8</sub> "	2 <sup>3</sup> / <sub>8</sub> "	Y 1 <sup>3</sup> / <sub>8</sub> ", 2", 2 <sup>1</sup> / <sub>4</sub> "	792	EACH	73	3 <sup>3</sup> / <sub>4</sub> "	3 <sup>1</sup> / <sub>4</sub> "	Y 1 <sup>3</sup> / <sub>8</sub> ", 2", 2 <sup>1</sup> / <sub>4</sub> "

Y = Available, N = Not Available

## Wood Craft Collection: Ordering Information

*The Wood Craft Collection available while supplies last.*

1. The Wood Craft Collection is available to fit 1 $\frac{3}{8}$ ", 2", and 2 $\frac{1}{4}$ " wood poles in smooth, fluted, and rope styles.
2. Finials can be combined with iron rods.
3. Bracket #5070 is only available for a 2" wood pole.

### Wood Craft Collection (Hand Carved Wood Finials): Page 66 of Catalog

Product #	Unit	Iron Art Finishes				Wood Art Finishes		Custom Finish	Additional Information
		A	B	C	D	E	F		
5060	EACH	54	68	73	77	73	77	86	To Fit 1 $\frac{3}{8}$ " Diameter Poles
5061	EACH	52	65	70	74	70	74	83	To Fit 1 $\frac{3}{8}$ " Diameter Poles
5062	EACH	52	65	70	74	70	74	83	To Fit 1 $\frac{3}{8}$ " Diameter Poles
5063	EACH	52	65	70	74	70	74	83	To Fit 1 $\frac{3}{8}$ " Diameter Poles
5064	EACH	52	65	70	74	70	74	83	To Fit 1 $\frac{3}{8}$ " Diameter Poles
5065	EACH	52	65	70	74	70	74	83	To Fit 1 $\frac{3}{8}$ " Diameter Poles
5066	EACH	52	65	70	74	70	74	83	To Fit 1 $\frac{3}{8}$ " Diameter Poles
5067	EACH	52	65	70	74	70	74	83	To Fit 1 $\frac{3}{8}$ " Diameter Poles
5080	EACH	58	73	78	83	78	83	93	To Fit 2" and 2 $\frac{1}{4}$ " Diameter Poles
5081	EACH	58	73	78	83	78	83	93	To Fit 2" and 2 $\frac{1}{4}$ " Diameter Poles
5082	EACH	58	73	78	83	78	83	93	To Fit 2" and 2 $\frac{1}{4}$ " Diameter Poles
5083	EACH	58	73	78	83	78	83	93	To Fit 2" and 2 $\frac{1}{4}$ " Diameter Poles
5084	EACH	58	73	78	83	78	83	93	To Fit 2" and 2 $\frac{1}{4}$ " Diameter Poles
5085	EACH	58	73	78	83	78	83	93	To Fit 2" and 2 $\frac{1}{4}$ " Diameter Poles
5086	EACH	58	73	78	83	78	83	93	To Fit 2" and 2 $\frac{1}{4}$ " Diameter Poles
5088	EACH	58	73	78	83	78	83	93	To Fit 2" and 2 $\frac{1}{4}$ " Diameter Poles

### Wood Craft Collection (Tiebacks & Brackets): Page 67 of Catalog

Product #	Unit	Iron Art Finishes				Wood Art Finishes		Custom Finish	Additional Information
		A	B	C	D	E	F		
5070	EACH	58	73	78	83	78	83	93	Available for 2" Wood Pole Bracket Only / 6 $\frac{3}{4}$ " Projection
5071	EACH	35	44	48	52	51	54	60	$\frac{5}{8}$ " Diameter Wood Baton 38" Length
5095	EACH	32	40	43	46	43	46	51	Tieback
5096	EACH	32	40	43	46	43	46	51	Tieback
5097	EACH	32	40	43	46	43	46	51	Tieback
5098	EACH	32	40	43	46	43	46	51	Tieback
5099	EACH	32	40	43	46	43	46	51	Tieback

## Wood Poles & Accessories: Ordering Information

1. We splice any iron rod or wood pole over 106" to save on shipping charges using FedEx. Rods or poles not specified as one piece in the order will be spliced in the center, unless splice location is otherwise noted. Anything over 106" must be shipped by common carrier (truck line). Please note residential truck deliveries are restricted to 24' (288").
2. Wood poles are available and priced in sections of 4', 6', 8', and 12' in smooth, fluted, or rope styles.
3. Wood poles can be mitered. Please add Product #5055 to the order.
4. Wood ring #5047 is available in 1<sup>7</sup>/<sub>8</sub>" and 2<sup>3</sup>/<sub>4</sub>" inner diameters. Wood ring #5048 is available in 3<sup>1</sup>/<sub>2</sub>" inner diameter only. Wood ring #5049 is available in 1<sup>7</sup>/<sub>8</sub>", 2<sup>3</sup>/<sub>4</sub>", and 3<sup>1</sup>/<sub>2</sub>" inner diameters.
5. Wood poles can be combined with Iron Art™ finials. Unfinished products are available by quote only.
6. Please refer to the catalog for product availability for 3" wood pole accessories.
7. Poles can be spliced together to provide any length using a metal connector for wood poles. Please add Product #5056 to the order.

## Wood Poles & Accessories: Page 67 of Catalog

Product # or Size	Unit	Iron Art Finishes				Wood Art Finishes		Custom Finish	Additional Information
		A	B	C	D	E	F		
<b>Smooth Poles: 1<sup>3</sup>/<sub>8</sub>" Diameter</b>									
<b>4' Length</b>	EACH	<b>39</b>	<b>50</b>	<b>55</b>	<b>59</b>	<b>58</b>	<b>61</b>	<b>68</b>	Minimum Charged for 4'
<b>6' Length</b>	EACH	<b>54</b>	<b>69</b>	<b>76</b>	<b>81</b>	<b>80</b>	<b>85</b>	<b>95</b>	Minimum Charged for 6'
<b>8' Length</b>	EACH	<b>78</b>	<b>99</b>	<b>109</b>	<b>117</b>	<b>115</b>	<b>123</b>	<b>137</b>	Minimum Charged for 8'
<b>12' Length</b>	EACH	<b>111</b>	<b>142</b>	<b>155</b>	<b>167</b>	<b>164</b>	<b>175</b>	<b>194</b>	Minimum Charged for 12'
<b>Smooth Poles: 2" and 2<sup>1</sup>/<sub>4</sub>" Diameter</b>									
<b>4' Length</b>	EACH	<b>81</b>	<b>103</b>	<b>113</b>	<b>122</b>	<b>119</b>	<b>128</b>	<b>142</b>	Minimum Charged for 4'
<b>6' Length</b>	EACH	<b>127</b>	<b>162</b>	<b>178</b>	<b>190</b>	<b>187</b>	<b>200</b>	<b>222</b>	Minimum Charged for 6'
<b>8' Length</b>	EACH	<b>167</b>	<b>213</b>	<b>234</b>	<b>251</b>	<b>247</b>	<b>264</b>	<b>293</b>	Minimum Charged for 8'
<b>12' Length</b>	EACH	<b>254</b>	<b>324</b>	<b>355</b>	<b>381</b>	<b>374</b>	<b>400</b>	<b>444</b>	Minimum Charged for 12'
<b>Smooth Poles: 3" Diameter</b>									
<b>4' Length</b>	EACH	<b>179</b>	<b>229</b>	<b>251</b>	<b>269</b>	<b>265</b>	<b>283</b>	<b>314</b>	Minimum Charged for 4'
<b>6' Length</b>	EACH	<b>253</b>	<b>323</b>	<b>354</b>	<b>380</b>	<b>373</b>	<b>398</b>	<b>443</b>	Minimum Charged for 6'
<b>8' Length</b>	EACH	<b>345</b>	<b>440</b>	<b>483</b>	<b>518</b>	<b>509</b>	<b>543</b>	<b>604</b>	Minimum Charged for 8'
<b>12' Length</b>	EACH	<b>506</b>	<b>645</b>	<b>708</b>	<b>759</b>	<b>746</b>	<b>797</b>	<b>886</b>	Minimum Charged for 12'
<b>Fluted Poles: 1<sup>3</sup>/<sub>8</sub>" Diameter</b>									
<b>4' Length</b>	EACH	<b>39</b>	<b>50</b>	<b>55</b>	<b>59</b>	<b>58</b>	<b>62</b>	<b>69</b>	Minimum Charged for 4'
<b>6' Length</b>	EACH	<b>53</b>	<b>68</b>	<b>74</b>	<b>80</b>	<b>78</b>	<b>84</b>	<b>93</b>	Minimum Charged for 6'
<b>8' Length</b>	EACH	<b>76</b>	<b>96</b>	<b>106</b>	<b>113</b>	<b>112</b>	<b>119</b>	<b>132</b>	Minimum Charged for 8'
<b>12' Length</b>	EACH	<b>104</b>	<b>132</b>	<b>145</b>	<b>155</b>	<b>153</b>	<b>163</b>	<b>181</b>	Minimum Charged for 12'
<b>Fluted Poles: 2" and 2<sup>1</sup>/<sub>4</sub>" Diameter</b>									
<b>4' Length</b>	EACH	<b>81</b>	<b>103</b>	<b>113</b>	<b>122</b>	<b>119</b>	<b>128</b>	<b>142</b>	Minimum Charged for 4'
<b>6' Length</b>	EACH	<b>127</b>	<b>162</b>	<b>178</b>	<b>190</b>	<b>187</b>	<b>200</b>	<b>222</b>	Minimum Charged for 6'
<b>8' Length</b>	EACH	<b>167</b>	<b>213</b>	<b>234</b>	<b>251</b>	<b>247</b>	<b>264</b>	<b>293</b>	Minimum Charged for 8'
<b>12' Length</b>	EACH	<b>254</b>	<b>324</b>	<b>355</b>	<b>381</b>	<b>374</b>	<b>400</b>	<b>444</b>	Minimum Charged for 12'
<b>Fluted Poles: 3" Diameter</b>									
<b>4' Length</b>	EACH	<b>179</b>	<b>229</b>	<b>251</b>	<b>269</b>	<b>265</b>	<b>283</b>	<b>314</b>	Minimum Charged for 4'
<b>6' Length</b>	EACH	<b>253</b>	<b>323</b>	<b>354</b>	<b>380</b>	<b>373</b>	<b>398</b>	<b>443</b>	Minimum Charged for 6'
<b>8' Length</b>	EACH	<b>345</b>	<b>440</b>	<b>483</b>	<b>518</b>	<b>509</b>	<b>543</b>	<b>604</b>	Minimum Charged for 8'
<b>12' Length</b>	EACH	<b>506</b>	<b>645</b>	<b>708</b>	<b>759</b>	<b>746</b>	<b>797</b>	<b>886</b>	Minimum Charged for 12'

## Wood Poles & Accessories: Page 67 of Catalog (continued)

Product # or Size	Unit	Iron Art Finishes				Wood Art Finishes		Custom Finish	Additional Information
		A	B	C	D	E	F		
<b>Rope Poles: 1<sup>3</sup>/<sub>8</sub>" Diameter</b>									
4' Length	EACH	125	159	175	188	184	197	219	Minimum Charged for 4'
6' Length	EACH	175	223	245	263	258	276	306	Minimum Charged for 6'
8' Length	EACH	250	319	350	375	369	394	438	Minimum Charged for 8'
12' Length	EACH	350	446	490	525	516	551	613	Minimum Charged for 12'
<b>Rope Poles: 2" and 2<sup>1</sup>/<sub>4</sub>" Diameter</b>									
4' Length	EACH	225	287	315	338	332	354	394	Minimum Charged for 4'
6' Length	EACH	350	446	490	525	516	551	613	Minimum Charged for 6'
8' Length	EACH	450	574	630	675	664	709	788	Minimum Charged for 8'
12' Length	EACH	675	861	945	1013	996	1063	1181	Minimum Charged for 12'
<b>Rope Poles: 3" Diameter</b>									
4' Length	EACH	300	383	420	450	443	473	525	Minimum Charged for 4'
6' Length	EACH	450	574	630	675	664	709	788	Minimum Charged for 6'
8' Length	EACH	575	733	805	863	848	906	1006	Minimum Charged for 8'
12' Length	EACH	825	1052	1155	1238	1217	1299	1444	Minimum Charged for 12'
<b>Wood Brackets</b>									
5045S-138	EACH	16	21	23	24	24	25	28	American Style Bracket For 1 <sup>3</sup> / <sub>8</sub> " Pole / 3 <sup>3</sup> / <sub>4</sub> " Projection
5045S-200	EACH	22	29	31	34	33	35	39	American Style Bracket For 2" Pole / 4" Projection For 2 <sup>1</sup> / <sub>4</sub> " Pole / 4 <sup>1</sup> / <sub>8</sub> " Projection
5045S-300	EACH	28	36	39	42	41	44	49	American Style Bracket For 3" Pole / 4 <sup>1</sup> / <sub>2</sub> " Projection
5045E-138	EACH	24	31	34	36	36	38	42	American Style Bracket For 1 <sup>3</sup> / <sub>8</sub> " Pole / 6 <sup>1</sup> / <sub>2</sub> " Projection
5045E-200	EACH	28	35	39	41	41	43	48	American Style Bracket For 2" Pole / 7" Projection For 2 <sup>1</sup> / <sub>4</sub> " Pole / 7" Projection
5045E-300	EACH	30	38	42	45	44	47	52	American Style Bracket For 3" Pole / 7 <sup>1</sup> / <sub>2</sub> " Projection
5046S-138	EACH	20	25	28	30	29	31	35	European Style Bracket For 1 <sup>3</sup> / <sub>8</sub> " Pole / 3 <sup>1</sup> / <sub>4</sub> " Projection
5046S-200	EACH	23	30	33	35	35	37	41	European Style Bracket For 2" Pole / 4" Projection For 2 <sup>1</sup> / <sub>4</sub> " Pole / 4" Projection
5046S-300	EACH	29	37	40	43	42	45	50	European Style Bracket For 3" Pole / 5" Projection
5046E-138	EACH	31	39	43	46	45	49	54	European Style Bracket For 1 <sup>3</sup> / <sub>8</sub> " Pole / 6 <sup>1</sup> / <sub>2</sub> " Projection
5046E-200	EACH	36	46	51	55	54	57	64	European Style Bracket For 2" Pole / 7" Projection For 2 <sup>1</sup> / <sub>4</sub> " Pole / 7" Projection
5046E-300	EACH	45	57	63	67	66	71	78	European Style Bracket For 3" Pole / 7 <sup>1</sup> / <sub>2</sub> " Projection
<b>Smooth Wood Rings</b>									
5047-138	EACH	4	6	6	7	7	7	8	For 1 <sup>3</sup> / <sub>8</sub> " Diameter Poles 1/2" Thick / 1 <sup>7</sup> / <sub>8</sub> " Inner Diameter
5047-200	EACH	6	8	8	9	9	9	10	For 2" & 2 <sup>1</sup> / <sub>4</sub> " Diameter Poles 1/2" Thick / 2 <sup>3</sup> / <sub>4</sub> " Inner Diameter
5048-300	EACH	10	13	14	16	15	16	18	For 3" Diameter Poles 7/8" Thick / 3 <sup>1</sup> / <sub>2</sub> " Inner Diameter

## Wood Poles & Accessories: Page 67 of Catalog (continued)

Product # or Size	Unit	Iron Art Finishes				Wood Art Finishes		Custom Finish	Additional Information
		A	B	C	D	E	F		
<b>Fluted Wood Rings</b>									
5049-138	EACH	4.50	5	6	7	7	8	9	For 1 <sup>3</sup> / <sub>8</sub> " Diameter Poles 3/4" Thick / 1 <sup>7</sup> / <sub>8</sub> " Inner Diameter
5049-200	EACH	7	7.50	8	8.50	8.50	9	12	For 2" & 2 <sup>1</sup> / <sub>4</sub> " Diameter Poles 3/4" Thick / 2 <sup>3</sup> / <sub>4</sub> " Inner Diameter
5049-300	EACH	10	11	12	13	13	14	15	For 3" Diameter Poles 3/4" Thick / 3 <sup>1</sup> / <sub>2</sub> " Inner Diameter
<b>Wood Accessories</b>									
5050-138	EACH	52	66	73	78	77	82	91	Swivel Movable Elbow For 1 <sup>3</sup> / <sub>8</sub> " Diameter Poles
5050-200	EACH	68	87	95	102	100	107	119	Swivel Movable Elbow For 2" & 2 <sup>1</sup> / <sub>4</sub> " Diameter Poles
5051-138	PAIR	19	24	26	28	28	30	33	Standard Socket Pair For 1 <sup>3</sup> / <sub>8</sub> " Diameter Poles
5051-200	PAIR	38	48	53	57	56	60	67	Standard Socket Pair For 2" & 2 <sup>1</sup> / <sub>4</sub> " Diameter Poles
5052-138	EACH	17	21	24	25	25	26	29	End Cap For 1 <sup>3</sup> / <sub>8</sub> " Diameter Poles
5052-200	EACH	32	41	45	48	47	51	56	End Cap For 2" & 2 <sup>1</sup> / <sub>4</sub> " Diameter Poles
5052-300	EACH	48	62	68	72	71	76	85	End Cap For 3" Diameter Poles
5053	EACH	29	37	41	44	43	46	51	1/2" Diameter Baton 38" Long / Clip Only
5055	EACH	12	12	12	12	12	12	12	Miter Charge
5056	EACH	8	8	8	8	8	8	8	Metal Connector for Wood
5071	EACH	35	44	48	52	51	54	60	5/8" Diameter Wood Baton 38" Length

## Rosina Collection: Ordering Information

1. The Rosina Collection is available to fit 1<sup>3</sup>/<sub>8</sub>", 2", and 2<sup>1</sup>/<sub>4</sub>" wood poles in smooth, fluted, and rope styles.
2. Rosina finials are constructed in resin.
3. Finials can be combined with iron rods.

## Rosina Collection (Resin and Wood): Pages 68 & 69 of Catalog

Product #	Unit	Iron Art Finishes				Wood Art Finishes		Custom Finish	Additional Information
		A	B	C	D	E	F		
6000	EACH	50	64	71	76	74	79	88	To Fit 2" and 2 <sup>1</sup> / <sub>4</sub> " Diameter Poles
6001	EACH	50	64	71	76	74	79	88	To Fit 2" and 2 <sup>1</sup> / <sub>4</sub> " Diameter Poles
6002	EACH	50	64	71	76	74	79	88	To Fit 2" and 2 <sup>1</sup> / <sub>4</sub> " Diameter Poles
6003	EACH	29	37	41	44	43	46	51	To Fit 1 <sup>3</sup> / <sub>8</sub> " Diameter Poles
6004	EACH	29	37	41	44	43	46	51	To Fit 1 <sup>3</sup> / <sub>8</sub> " Diameter Poles
6005	EACH	50	64	71	76	74	79	88	To Fit 2" and 2 <sup>1</sup> / <sub>4</sub> " Diameter Poles
6006	EACH	50	64	71	76	74	79	88	To Fit 2" and 2 <sup>1</sup> / <sub>4</sub> " Diameter Poles
6007	EACH	50	64	71	76	74	79	88	To Fit 2" and 2 <sup>1</sup> / <sub>4</sub> " Diameter Poles
6008	EACH	32	40	44	47	46	50	55	To Fit 1 <sup>3</sup> / <sub>8</sub> " Diameter Poles
6009	EACH	50	64	71	76	74	79	88	To Fit 2" and 2 <sup>1</sup> / <sub>4</sub> " Diameter Poles
6010	EACH	36	46	50	54	53	56	62	To Fit 1 <sup>3</sup> / <sub>8</sub> " Diameter Poles
6011	EACH	50	64	71	76	74	79	88	To Fit 2" and 2 <sup>1</sup> / <sub>4</sub> " Diameter Poles
6012	EACH	50	64	71	76	74	79	88	To Fit 2" and 2 <sup>1</sup> / <sub>4</sub> " Diameter Poles
6013	EACH	50	64	71	76	74	79	88	To Fit 2" and 2 <sup>1</sup> / <sub>4</sub> " Diameter Poles



## Rosina Collection (Resin and Wood): Pages 68 & 69 of Catalog

Product #	Unit	Iron Art Finishes				Wood Art Finishes		Custom Finish	Additional Information
		A	B	C	D	E	F		
6014	EACH	50	64	71	76	74	79	88	To Fit 2" and 2¼" Diameter Poles
6015	EACH	50	64	71	76	74	79	88	To Fit 2" and 2¼" Diameter Poles
6016	EACH	44	56	62	66	65	69	77	To Fit 2" and 2¼" Diameter Poles
6017	EACH	44	56	62	66	65	69	77	To Fit 2" and 2¼" Diameter Poles
6019	EACH	42	53	57	60	59	63	67	Available While Supplies Last To Fit 2" and 2¼" Diameter Poles
6020	EACH	44	55	59	63	62	66	70	Available While Supplies Last To Fit 2" and 2¼" Diameter Poles
6022	EACH	28	35	38	40	39	42	45	Available While Supplies Last To Fit 1⅜" Diameter Poles
6023	EACH	28	35	38	40	39	42	45	Available While Supplies Last To Fit 1⅜" Diameter Poles

## New York Wood Collection: Ordering Information

1. The New York Wood Collection is available to fit 1⅜", 2", 2¼", and 3" wood poles in smooth, fluted, and rope styles.
2. Finials can be combined with iron rods.

## New York Wood Collection (Wood Finials): Page 70 of Catalog

Product #	Unit	Iron Art Finishes				Wood Art Finishes		Custom Finish	Additional Information
		A	B	C	D	E	F		
5020	EACH	44	56	61	66	64	69	76	To Fit 2" and 2¼" Diameter Poles
5021	EACH	40	51	56	60	59	63	70	To Fit 2" and 2¼" Diameter Poles
5022	EACH	40	51	56	60	59	63	70	To Fit 2" and 2¼" Diameter Poles
5023	EACH	48	62	68	73	71	76	85	To Fit 2" and 2¼" Diameter Poles
5024	EACH	42	53	59	63	62	66	73	To Fit 2" and 2¼" Diameter Poles
5025	EACH	40	51	56	60	59	63	70	To Fit 2" and 2¼" Diameter Poles
5026	EACH	42	53	59	63	62	66	73	To Fit 2" and 2¼" Diameter Poles
5027	EACH	40	51	56	60	59	63	70	To Fit 2" and 2¼" Diameter Poles
5028	EACH	40	51	56	60	59	63	70	To Fit 2" and 2¼" Diameter Poles
5030	EACH	55	70	76	82	81	86	96	To Fit 3" Diameter Poles
5031	EACH	55	70	76	82	81	86	96	To Fit 3" Diameter Poles
5032	EACH	55	70	76	82	81	86	96	To Fit 3" Diameter Poles
5033	EACH	59	75	82	88	87	93	103	To Fit 3" Diameter Poles
5034	EACH	55	70	76	82	81	86	96	To Fit 3" Diameter Poles
5035	EACH	55	70	76	82	81	86	96	To Fit 3" Diameter Poles
5036	EACH	55	70	76	82	81	86	96	To Fit 3" Diameter Poles
5037	EACH	55	70	76	82	81	86	96	To Fit 3" Diameter Poles
5038	EACH	55	70	76	82	81	86	96	To Fit 3" Diameter Poles
5040	EACH	29	37	41	44	43	46	51	To Fit 1⅜" Diameter Poles
5041	EACH	29	37	41	44	43	46	51	To Fit 1⅜" Diameter Poles
5042	EACH	29	37	41	44	43	46	51	To Fit 1⅜" Diameter Poles
5043	EACH	29	37	41	44	43	46	51	To Fit 1⅜" Diameter Poles

## Promotional Items for Designers: Ordering Information

1. Prices for Promotional Items are on "NET" basis.
2. Custom displays can be ordered.

### #8000 - Product Wall Display - Set 1: Page 71 of Catalog

\$500 Each W32" H48"

Display Includes:

Tuscany Collection  
Metal Cornice with Wood Duster  
Design: 8021 Acanthus Single  
Finish Group B: Bronze Vecchio

Rosina Collection  
2" Fluted Wood Pole  
Left/Right Finials: 6017, 6016  
Bracket 1040-RND  
Smooth Ring 5047  
Finish Group D: Autumn

Unique Collection  
1" Round Hollow Iron Rod  
Left/Right Finials: 321, 513  
End Bracket 1028SE  
Support Bracket 318SC  
"C" Ring 330  
Finish Group B: Antique Bronze

Tropical Collection  
1¼" Bamboo Straight Iron Rod  
Left/Right Finials: 9005, 9004  
Bracket 9010  
Round Ring 9025  
Finish TC206: Rustic Bamboo

Italian Collection  
1" Round Hollow Iron Rod  
Left/Right Finials: 7003, 7006  
Bracket 7014  
Round Ring 7013  
Finish Group I: Brushed Nickel

Bohemia Collection  
1" Round Hollow Iron Rod  
Left/Right Finials: 783, 771  
Bracket 7014 • Round Ring 7013  
Finish Group J: Polished Chrome

Swing Arm 1074A  
¾" Round Iron Rod  
Mounting Plate R1  
Finish Group B: Old Black

Iron Art™ Accessories  
1058 Rosette Post Projection Tieback  
Finish Group B: Naturelle

Iron Art™ Accessories  
315 Movable Elbow - Interior Fit  
309 90° Elbow - Exterior Fit  
Finish Group B: Naturelle

Iron Art™ Accessories  
303 Full Socket  
302 Half Socket  
1013 U Shape Bend Tieback  
Finish Group B: Naturelle

### #8001 - Product Wall Display - Set 2: Page 71 of Catalog

\$500 Each W32" H48"

Display Includes:

Designers' Choice Traversing - Wood  
2" Fluted Traversing Wood Pole - Double Set  
Right Stack  
Finials: 5027  
Finish Group E: Walnut

Designers' Choice Traversing - Iron  
1½" Square Traversing Iron Rod - Single Set  
Right Stack  
Finials: 947S  
Square Rings IT352TR  
Finish Group B: Soft Pewter

1½" Round Hollow Hammered Iron Rod  
Hardware Set  
Left/Right Finials: 946H, 913S  
Left/Right Brackets: 1102, 1106  
Round Ring 350  
Finish Group C: Bronze Patina

1" Twist Hollow Iron Rod Hardware Set  
Left/Right Finials: 906S, 904S  
Bracket 1030-RND  
Twisted Ring 351  
Finish Group B: Rusty

1" Square Hollow Iron Rod Hardware Set  
Left/Right Finials: 417, 907  
Bracket 1028-SQ • Square Ring 352  
Finish Group C: Burnt Gold

Burgundy Collection 264  
¾" Iron Rod with Return  
Round Ring 350  
Finish Group C: Sage Gold

Baton 1016 with Clip  
Finish Group B: Naturelle

### #8002 - Xpress Yourway Wall Display: Page 71 of Catalog

\$500 Each W32" H48"

Display Includes:

Iron Hardware Double Set  
1" Round Hollow Iron Rod  
Left/Right Front Finials: 513, 420  
Rear End Cap 321  
Bracket 1024DBWS-RND  
Round Ring 350  
Express It! Finish: Black

Iron Hardware Single Set  
1" Round Hollow Iron Rod  
Left/Right Finials: 966, 505  
Bracket 1028-RND 6"P  
Round Ring 350  
Express It! Finish: Brown

Iron Hardware Single Set  
1" Round Hollow Iron Rod  
Left/Right Finials: 946 2", 947L  
Bracket 1028-RND  
Round Ring 350  
Quicken It! Finish: Antique Bronze

Iron Hardware Single Set  
1¼" Round Hollow Iron Rod  
Left/Right Finials: 950, 906S  
Bracket 1028-RND  
Round Ring 350  
Quicken It! Finish: Antique Gold

Italian Hardware Double Set  
1" Round Hollow Iron Rod  
Left/Right Front Finials: 778, 7003  
Left/Right Rear End Caps: 790, 7016  
Bracket 7040  
Round Ring 7013  
Express It! Finish: Brushed Nickel

Italian Hardware Single Set  
1" Round Hollow Iron Rod  
Left/Right Finials: 788, 7005  
Bracket 7015 6"P  
Round Ring 7013  
Express It! Finish: Polished Chrome

Italian Hardware Single Set  
1" Round Hollow Iron Rod  
Left/Right Finials: 787, 7006  
Bracket 7014 • Round Ring 7013  
Express It! Finish: Brushed Nickel

Italian Hardware Single Set  
1" Round Hollow Iron Rod  
Left/Right Finials: 774, 775  
Bracket 7014 • Round Ring 7013  
Express It! Finish: Polished Chrome

Accessories  
Socket 306-112 • Tieback 1078  
Quicken It! Finish: Soft Pewter

Tieback 1073 • Tieback 1059 Rosette  
Quicken It! Finish: Pure White

Baton 1016  
Quicken It! Finish: Soft Pewter

## #8003 - Designer Finial Set: Page 71 of Catalog

\$90 Each

Includes:

Finial Samples:

Iron Finial #946 on Smooth  
Round Hollow 1¼" Diameter Rod

Iron Finial #913L on Smooth  
Round Hollow 1½" Diameter Rod

Bohemia Finial #771 on Smooth  
Round Hollow 1" Diameter Rod

Iron Finial #976 on Fluted  
Round Hollow 1¼" Diameter Rod

Italian Finial # 7005 on Smooth  
Round Hollow 1" Diameter Rod

Wood Finial #5040 on Smooth  
1⅜" Diameter Wood Pole

## #8010 - Designer Product Case: Page 71 of Catalog

\$450 Each L20" W15" H7" Weight 18 lbs.

Includes:

One Hard Carrying Case

Italian Collection Samples:

Finial #7022  
1" Diameter Smooth Hollow Rod  
Finial #7003

One Wood Bracket #5045 with 4" P

One Tuscany Cornice Collection Sample  
8023 Single Tulip

One Fluted Wood Ring #5049

Pole Samples:

Fluted Poles in 1½" and 2" Diameters  
Rope Poles in 1½" and 2" Diameters  
Smooth Poles in 1½" and 2" Diameters

Tropical Collection Samples:

Finial #9004  
1" Diameter Bamboo Rod  
Iron Art Decorative Cap - #321

One Iron Baton #1016

Wood Art™ Samples:

New York Wood Finial - #5027 Tudor  
2" Diameter Fluted Pole  
Iron Art Decorative Cap - #321

Tie Backs:

Post Projection Tieback with Rosette #1060  
U-Shaped Tieback with Finial #946

Color Selector Sets:

Binder Set #8008  
Tropical #8006

One Set of Various Iron Rings:

#350 #351 #352  
#353 #355 #356

Iron Art™ Samples:

Finial #953  
1" Diameter Smooth Hollow Rod  
Finial #946

Iron Brackets and Sockets:

Bracket #1028 for 1" Dia. Rod with 6" P  
Bracket #1028 for 1" Dia. Rod with 3" P  
Socket #302  
Socket #303

One Set of Orion's Catalog, Brochures,  
Price Lists and Order Forms.

## #8011 - Designer Sample Kit: Page 71 of Catalog

\$125 Each L20" W15" H5" Weight 11 lbs.

Includes:

One Soft Carrying Case

One Set of Orion's Catalog, Brochures, Price Lists and Order Forms.

Finial Samples:

Iron Finial #946 on Smooth  
Round Hollow 1¼" Diameter Rod

Iron Finial #913L on Smooth  
Round Hollow 1½" Diameter Rod

Bohemia Finial #771 on Smooth  
Round Hollow 1" Diameter Rod

Iron Finial #976 on Fluted  
Round Hollow 1¼" Diameter Rod

Italian Finial # 7005 on Smooth  
Round Hollow 1" Diameter Rod

Wood Finial #5040 on Smooth  
1⅜" Diameter Wood Pole

## Finish Selectors: Page 71 of Catalog

Product #	Description	Unit	Price	Additional Information
<b>8004</b>	Iron Art™ Finish Selector Set	EACH	<b>40</b>	35 Iron Art™ finishes in three plastic binder sleeves.
<b>8005</b>	Wood Art™ Finish Selector Set	EACH	<b>18</b>	11 Wood Art™ finishes in one plastic binder sleeve.
<b>8014</b>	Italian Finish Selector Set	EACH	<b>15</b>	6 Italian finishes in one plastic binder sleeve.
<b>8006</b>	Tropical Bamboo Finish Selector Set	EACH	<b>20</b>	6 Tropical Collection finishes on rings.
<b>8008</b>	Color Selector Sets in Binder	EACH	<b>70</b>	Includes finish selector sets in plastic sleeves for our Iron Art™, Wood Art™, and Italian Collections in a full color 3-ring binder.
<b>8009</b>	Catalog/Price List & Ordering Set	EACH	<b>8</b>	All our current catalogs, brochures, price lists and order forms.
<b>8015</b>	Color Binder Set w/Catalog (8008 + 8009)	EACH	<b>75</b>	Includes everything from 8008, plus our catalog and price list.
<b>8016</b>	Single Square Color Selector Chip	EACH	<b>2</b>	Single color selector chip of any Iron Art™ or Italian Collection finish.

# TERMS OF SALE

## 1. PRICES

- a. All prices (except Promotional Items) listed are retail prices in US\$ and are FOB warehouse.
- b. Prices and terms of sale are subject to change without notice.
- c. Prices and specifications are subject to corrections resulting from errors, omissions, and modifications.
- d. Specifications listed in this price list supersede those listed in the catalog.

## 2. TERMS

- a. Customer accounts are opened under the following terms: Cash on Delivery (COD), Payment Before Shipping (Proforma), or Credit Card (Visa, MasterCard, or American Express).
  1. Credit card accounts give specific permission to the Company to charge the credit card upon completion of the order.
  2. COD accounts will be charged a COD fee of \$10.00 per box on all shipments. This does not include Will Call orders.
- b. **All orders \$2000 and above need a 50% deposit prior to commencement of manufacturing.**
- c. A \$50.00 fee will be charged for any returned checks.
- d. Late payments on a Net 30 account will cause the account to become COD, Proforma, or Credit Card. **A late fee of \$20.00, PLUS 1.5% interest per month (18% per year) will be added to all invoices not paid within 30 days.**
- e. Interest charges are applied on the 45th day from the date of shipment.
- f. The Company reserves the right to review and change account terms at any time.
- g. Any and all legal or collection costs that are incurred in procuring past due accounts will be the sole responsibility of the customer, and will be added to outstanding account balances.
- h. **All requests for credit on invoices that are priced incorrectly or contain other invoicing errors should be sent to the Company in writing within 30 days of the invoice date.**

## 3. NEW ORDERS

- a. To ensure correct ordering information, we prefer that all orders be faxed or emailed using our Drapery Hardware Order forms.
- b. **The Company has provided a comprehensive ordering information guide for its products. Please review it carefully before placing an order.**
- c. Please review orders for accuracy and completeness before sending.
- d. Manufacturer's best judgment will prevail on order details not provided before processing an order.
- e. **Any errors or omissions are the customer's sole responsibility.**
- f. Verbal orders will **NOT** be accepted at any time.
- g. Orders can be sent via fax, standard mail, or email.
- h. Orders received by 12:00 noon Pacific Standard Time will be deemed to be received on that business day.
- i. **Incomplete orders, or orders with questions will be deemed to be received on the date that all queries have been answered.**
- j. **Duplicate orders sent and executed will be the customer's sole responsibility.**
- k. The Company will send an Order Confirmation to customers within 72 hours of receipt of an order.
- l. All customers with a physical presence in California are required to have a valid resale certificate on file with the Company. Sales tax will be charged on orders from California customers not having a valid resale certificate on file with the Company.

## 4. ORDER CHANGES / REVISIONS

- a. **All revisions and changes MUST be in writing, and should be submitted via fax or email.**

- b. Customer changes and revisions will **NOT** be accepted after three working days from receipt of an order.
- c. Changes and revisions on any rush order will not be accepted after 24 hours from receipt of an order.
- d. There will be a \$20.00 charge for customer changes received more than 48 hours after the original order.
- e. NO charge for: changing shipping instructions up to the scheduled ship date; to add items to an order up to two working days from receipt of an order; making changes that stem from clarification of orders.
- f. **Any changes or revisions may affect the shipping date.**

## 5. ORDER CANCELLATIONS AND HOLDS

- a. Since all orders are hand-made, custom to order, no cancellations or holds will be accepted after three business days from the date of an order.
- b. Any orders cancelled or held beyond three days of placing the order will be subject to a cancellation charge of \$25.00, plus a 35% restocking fee.
- c. Custom items, such as cut rods, are **NOT** refundable.
- d. Rush orders cannot be cancelled or put on hold.
- e. All requests for order holds or cancellations must be sent in writing.

## 6. PRODUCTION / DELIVERY

- a. The due date listed on the sales order confirmation indicates that the order will be shipped or ready for Will Call at the **END** of that business day.
- b. Most standard orders ship within 10 working days of receipt and finalization (Italian, Tuscany and Traversing orders ship within 15 working days). Orders requiring modification, customization, or production from a template or drawing ship within 15 working days upon receipt of all materials.
- c. **Rush orders** are accepted on a limited basis. These should be handled as an exception and not a rule. Rush orders may be refused for any reason whatsoever. Rush order surcharges for standard orders are:
  1. **RUSH:** 25% on orders shipped 7 working days from order receipt.
  2. **HOT RUSH:** 50% on orders shipped 5 working days from order receipt.
  3. **HOT HOT RUSH:** 72 hour shipping is possible on a case-by-case basis at 100% upcharge. Please call for confirmation.Rush order surcharges for Italian, Tuscany, Traversing and custom orders are:
  1. **RUSH:** 25% on orders shipped 12 working days from order receipt.
  2. **HOT RUSH:** 50% on orders shipped 10 working days from order receipt.
  3. **HOT HOT RUSH:** 7 working day shipping is possible on a case-by-case basis at 100% upcharge. Please call for confirmation.
- d. Scheduled ship dates are based on production variables and are difficult to expedite. Any date changes will incur the change charge as delineated above. (Large and non-standard orders may require more time.)
- e. The nature of the order will be taken into account when assigning scheduled ship dates.
- f. **All orders are shipped FOB warehouse. Delivery charges are to customer's account.**
- g. Shipping charges include handling and packaging charges. If a customer chooses to have the shipping charges billed to his shipping account (FedEx, UPS) or his trucking company account, there will be a 2% of net

invoice charge added for packaging only.

- h. Certain orders may require additional packaging and/or special handling, which will be an additional charge on the order. (ie. bent rods)

#### 7. WILL CALL ORDERS

- a. The due date listed on the sales order confirmation indicates that the order will be ready for Will Call at the **END** of that business day.
- b. All Will Call orders will be invoiced and mailed on the date that the order is completed, and will be due according to the customer's account terms.
- c. Accounts with Payment Before Delivery (Proforma), COD, or Credit Card terms must pay for their Will Call orders in full at the time of pick up.
- d. **Will Call orders should be picked up within two weeks of completion.**
- e. Will Call orders not picked up after three weeks from completion will be subject to a stocking charge of \$20.00 per week.
- f. Will Call orders not picked up after six weeks will be returned to inventory and be subject to a 50% production fee.
- g. Please confirm that production of the order is complete before arriving to pick it up.

#### 8. RETURN POLICY

- a. **No product will be accepted for return without prior authorization. Please call your Customer Service Executive prior to returning any merchandise.**
  - 1. Your Customer Service Executive will issue a Return Merchandise Authorization (RMA) number.
  - 2. **The RMA# MUST be noted on all packages that are returned to the Company.**
  - 3. If the return is due to Company error or omission, a call tag will be issued to pick up the material to be returned.
  - 4. Shipping charges on all returns other than defective or damaged merchandise will be borne by the customer.
- b. Rings, standard brackets, and finials will be accepted for return with a restocking fee of 35%.
- c. With the exception of defects and damages:
  - 1. **Custom orders or orders made to a customer's specifications and/or crackle finishes cannot be returned.**
  - 2. Rods cut to customer's specification are **NOT** returnable.
  - 3. The customer will pay a 35% restocking fee.
- d. On applicable items, credit for returns will be issued. Credit for restocked items is **"on account"**, and will be applied against open invoices and/or future orders. At no time will there be a cash/check/credit card refund.
- e. **No return request will be accepted after 30 days from the invoice date.**

#### 9. DEFECTIVE, DAMAGED OR MISSING MERCHANDISE

- a. **Orders MUST be checked upon receipt.**
  - 1. Any defective or missing material **MUST** be reported within one week from receipt of order to the Company.
  - 2. Customers should refuse all packages that have visible damage or are open and may be missing items.
  - 3. Any missing packages should be reported to the Company within 48 hours of receipt of order.
  - 4. The Company will be responsible for any shipping related claims.
- b. The Company will repair or replace any defective merchandise at its sole discretion.
- c. The Company will be responsible for any freight charges to return defective merchandise. A RMA# and call tag will be issued by the Customer Relations Executive.

- d. If, upon examination, the merchandise is found to be **NOT** defective, the customer will be charged freight.

#### 10. INSTALLATION

- a. It is of the utmost importance that all the Company products be installed properly.
- b. For questions regarding securing products to a particular surface, please consult a professional installer.
- c. **The Company will not be responsible nor liable under any circumstances for installation or any costs relating to installation, removal, or reinstallation. The Company will only repair or replace any defective or damaged product.**

#### 11. FINISHES

- a. All finishes are done by hand, thus some variation in tone and appearance will occur.
- b. All product prices include finishes. Please see this price list for finish groups.
- c. The Company can custom match most finishes.
  - 1. All custom finishes will require a strike-off approved by the customer before the Company finishes the product. The strike-off has a one time net charge of \$40.00, and turn around time is 3 business days.
  - 2. When ordering, please refer to product pricing in the Custom Finish Group.
- d. **The lithographic color reproductions presented in the catalog may not accurately reflect the true tones, lusters, and depths of the finishes. Please refer to actual finish samples (Color Selector Sets) for a more accurate representation.**

#### 12. CUSTOM ORDERS

- a. The Company is a true custom manufacturer, and as such we are able to manufacture products to almost any specification.
- b. Any item that varies from the specifications published in the Company catalogs and price lists will be subject to a minimum customization charge of \$60.00 per item retail. This should be added to the standard cost of the product.
- c. If the customization charge is greater than \$60.00 per item retail, the Company will contact the customer with a price quote and wait for approval before proceeding with the order.

#### 13. WARRANTY

- a. The Company offers a standard limited warranty on all merchandise to be free from manufacturing defects for a period of one year from the date of purchase.
- b. This warranty does **NOT** apply to normal wear and tear, damage from mishandling, abuse, or exposure due to climatic conditions.
- c. **This warranty specifically excludes any product that is used in an external environment.**

#### 14. EFFECTIVE DATE

- a. **These terms of sale are effective as of April 1, 2014.**
- b. These terms of sale may be revised, amended, or replaced at any time at the Company's discretion.

#### 15. DISCLAIMER

- a. The Company endeavors to provide accurate information in all of its catalogs and price lists. However, the Company is **NOT** responsible for any errors or omissions of any kind, nor is the Company liable for any charges that stem from any errors or omissions on its part.
- b. All orders placed with the Company are governed by the terms of sale in effect at the time of ordering.

## SUMMARY OF CHARGES

Below is a listing of charges found in Terms of Sale (page 66).

Type of Charge	Amount
COD per Box	<b>\$10 net</b>
Returned Checks	<b>\$50 net</b>
Late Payments	<b>\$20 net plus 1.5% interest per month</b>
Order Changes after 48 Hours	<b>\$20 net</b>
Cancellation Charge	<b>\$25 net plus 35% restocking</b>
Shipping billed to Customer's Shipping Account	<b>2% net invoice value for packaging</b>
Will Call Stocking Charge	<b>\$20 net a week after three weeks</b>
Will Call Production Fee	<b>\$50% after six weeks, order returned to inventory</b>
Restocking Fee	<b>35%</b>
Strike-off	<b>\$40 net</b>
Minimum Customization Charge	<b>\$60 retail per item</b>
Weld Charge	<b>\$6</b>

## SUMMARY OF UPCHARGES (NET PRICING)

Type of Order	Amount
Outdoor Hardware	<b>30%</b>
Semi or High Gloss Finish	<b>20%</b>
Rush Orders <i>Standard orders shipped in 7 working days. Italian, Tuscany, Traversing and Custom orders shipped in 12 working days.</i>	<b>25%</b>
Hot Rush Orders <i>Standard orders shipped in 5 working days. Italian, Tuscany, Traversing and Custom orders shipped in 10 working days.</i>	<b>50%</b>
Hot Hot Rush Orders <i>Standard orders shipped in 72 hours. Italian, Tuscany, Traversing and Custom orders shipped in 7 working days.</i>	<b>100%</b>

Please refer to Terms of Sale (page 66) for more details on RUSH charges and turn around times.

# DECORATIVE DRAPERY HARDWARE ORDER FORM

**IMPORTANT INFORMATION:** Please read the following carefully before utilizing this form:

1. This order form is to be used to order ♦ Finials ♦ Eclectic Finials ♦ Tie Backs ♦ Batons ♦ Brackets ♦ Accessories ♦ Rings ♦ Rods ♦ Swing Arms ♦ Unique Collection ♦ Fina Collection ♦ Italian Collection ♦ Tropical Collection (except 9040S & 9040D Cornices) ♦ Milano Collection ♦ Rosina Collection ♦ New York Wood Collection ♦ Wood Craft Collection ♦ Wood Poles and Accessories ♦ Promotional Items for Designers
2. Utilize Special Instructions area to elaborate items that require special processing. Use additional forms/sheets if space is inadequate.

CUSTOMER INFORMATION					
Company Name:			Page ____ of ____		
Ordered By (Name):			Order Date:		
Side Mark:			Account#:		
Phone:			PO#:		
Ship to:			Drawing/Template: Yes: <input type="checkbox"/> No: <input type="checkbox"/>		
Street:			Order Type: Reg: <input type="checkbox"/> Rush: <input type="checkbox"/> Hot Rush: <input type="checkbox"/>		
City:		State:	Zip:		Delivery Location: Business: <input type="checkbox"/> Residential: <input type="checkbox"/>
Ship Via:	FedEx Ground: <input type="checkbox"/>	3 Day: <input type="checkbox"/>	2 Day: <input type="checkbox"/>	Overnight: <input type="checkbox"/>	Truck: <input type="checkbox"/> Will Call: <input type="checkbox"/> Other:

IRON RODS • ITALIAN RODS • WOOD POLES								
Qty.	Rod Type / Rod #	Rod Style (Round, Twist, Etc.)	Rod Dia. (Inches)	Rod Length (In.) (Not Including Finials)	Splice Yes/No	Finish		Room
						Name	Number	

Special Instructions:

FINIALS • ECLECTIC FINIALS								
Qty.	Product #	Rod Style (Round, Twist, Etc.)	To Fit Rod Dia. (Inches)	Finial Fit (Interior / Exterior)	Left / Right (Where Applicable)	Finish		Room
						Name	Number	

Special Instructions:

BRACKETS • DECORATIVE BRACKETS							
Qty.	Product #	Rod Style (Round, Twist, Etc.)	To Fit Rod Dia. (Inches)	Projection (Inches)	Finish		Room
					Name	Number	

Special Instructions:

RINGS						
Qty.	Product #	Ring Size Inside Diameter (Inches)	To Fit Rod Diameter (Inches)	Finish		Room
				Name	Number	

Special Instructions:

ACCESSORIES							
Qty.	Product #	Rod Style (Round, Twist, Etc.)	To Fit Rod Dia. (Inches)	Fit (Interior / Exterior)	Finish		Room
					Name	Number	

Special Instructions:

TIE BACKS AND SWAG HOLDERS							
Qty.	Product #	Tie Back Style		Left / Right (Where Applicable)	Finish		Room
		Post Projection	"U" Bend Shape		Name	Number	

Special Instructions:

BATONS							
Qty.	Product #	Length in Inches (Tip to Tip)	Clip or Ring	Ring Size Inside Diameter (Inches)	Finish		Room
					Name	Number	

Special Instructions:

SWING ARMS								
Qty.	Product #	Length (In.) (Including Finials)	Left / Right (Where Applicable)	Bracket # (If 3" or 6" Projection)	Mounting Plate (R1, R2, D3)	Finish		Room
						Name	Number	

Special Instructions:

OASIS COLLECTION							
Qty.	Product #	Length (S, M, L, XL)	Ring		Finish		Room
			Number	Quantity	Name	Number	

Special Instructions:

PROMOTIONAL ITEMS FOR DESIGNERS							
Product #	8000	8001	8002	8003	8004	8005	8006
Quantity							
Product #	8008	8009	8010	8011	8014	8015	8016
Quantity							



# EXCLUSIVE COLLECTIONS ORDER FORM

**IMPORTANT INFORMATION:** Please read the following carefully before utilizing this form:

1. This order form is to be used to order ♦ Tuscany Cornice Collection ♦ Tropical Collection (9040S & 9040D Cornices) ♦ Burgundy Collection ♦ Mediterranean Collection ♦ Renaissance Collection ♦ Vienna Collection
2. Utilize Special Instructions area to elaborate items that require special processing. Use additional forms/sheets if space is inadequate.

CUSTOMER INFORMATION							
Company Name:					Page ____ of ____		
Ordered By (Name):					Order Date:		
Side Mark:					Account#:		
Phone:					PO#:		
Ship to:					Drawing/Template: Yes: <input type="checkbox"/> No: <input type="checkbox"/>		
Street:					Order Type: Reg: <input type="checkbox"/> Rush: <input type="checkbox"/> Hot Rush: <input type="checkbox"/>		
City:			State:		Zip:		Delivery Location: Business: <input type="checkbox"/> Residential: <input type="checkbox"/>
Ship Via:	FedEx Ground: <input type="checkbox"/>	3 Day: <input type="checkbox"/>	2 Day: <input type="checkbox"/>	Overnight: <input type="checkbox"/>	Truck: <input type="checkbox"/>	Will Call: <input type="checkbox"/>	Other:

## TUSCANY CORNICE COLLECTION • TROPICAL COLLECTION (#9040S/9040D)\*

Qty.	Product #	Length (Inches)	Return Projection (Inches)	Wood Duster Yes/No	Return Only Left / Right (Where Applicable)	Finish		Room
						Name	Number	

Special Instructions:

## BURGUNDY COLLECTION / ROD WITH RETURN (#264/7007)

Qty.	Product #	Template Yes/No	Rod Dia. (Inches)	Rod Length (In.) (Not Including Finials)	Return Projection (Rod with Return #264 & #7007)	Finish		Room
						Name	Number	

Special Instructions:

## MEDITERRANEAN COLLECTION • RENAISSANCE COLLECTION

Qty.	Product #	Renaissance		Return Only Left / Right (Where Applicable)	Mounting Plate Type	Finish		Room
		Length (Inches)	Return Proj. (In.)			Name	Number	

Special Instructions:

## VIENNA COLLECTION

Qty.	Product #	Length (Inches) (Tip to Tip)	Left / Right (Where Applicable)	Proj. (3" or 6")	Knobs (Front or Back Includes 5)	Addl Knobs	Finish		Room
							Name	Number	

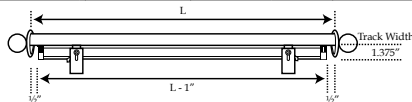
Special Instructions:

\*Note: If used with traversing, please give ordering details with the Manual Traversing or Traversing with Somfy Motorization order forms. 71

# MANUAL TRAVERSING ORDER FORM

Designers' Choice Traversing, Deco Lite Traversing, Tuscany Traversing, Tuscany Collection Cornices, and Tropical Collection Cornices

CUSTOMER INFORMATION							
Company Name:					Page ____ of ____		
Ordered By (Name):					Order Date:		
Side Mark:					Account#:		
Phone:					PO#:		
Ship to:					Drawing/Template: Yes: <input type="checkbox"/> No: <input type="checkbox"/>		
Street:					Order Type: Reg: <input type="checkbox"/> Rush: <input type="checkbox"/> Hot Rush: <input type="checkbox"/>		
City:			State:		Zip:		Delivery Location: Business: <input type="checkbox"/> Residential: <input type="checkbox"/>
Ship Via:	FedEx Ground: <input type="checkbox"/>	3 Day: <input type="checkbox"/>	2 Day: <input type="checkbox"/>	Overnight: <input type="checkbox"/>	Truck: <input type="checkbox"/>	Will Call: <input type="checkbox"/>	Other:



**\*Measurement Guidelines**

- Please specify fascia length when ordering.
- Track length will be 1" shorter than fascia length. (L - 1")

**Total Number of Rod Sets Ordered on this PO:** \_\_\_\_\_

1.	Set#	Qty	Rod Dia. (Inches)	Fascia Length* (Inches) (Not Including Finials)	Front Rod Rings (As Per Guide)	Back Rod For Double Set	Additional Traversing Glides	Rod Set Finish
						<input type="checkbox"/> None <input type="checkbox"/> 4 Per Foot (Std.) <input type="checkbox"/> Other: _____(Total)	<input type="checkbox"/> Track & Fascia <input type="checkbox"/> Track Only	
	Type of Draw	Opening	Cord Drop	Cord Length	Track System		Track Finish	
	<input type="checkbox"/> Cord <input type="checkbox"/> Baton _____"	<input type="checkbox"/> Left Stack <input type="checkbox"/> Right Stack <input type="checkbox"/> Center Open	<input type="checkbox"/> Left <input type="checkbox"/> Right	<input type="checkbox"/> Standard (8 Feet) <input type="checkbox"/> Other: _____"	<input type="checkbox"/> Pinch Pleat <input type="checkbox"/> RippleFold <input type="checkbox"/> 60% <input type="checkbox"/> 80% <input type="checkbox"/> 100% <input type="checkbox"/> 120%	<input type="checkbox"/> Black <input type="checkbox"/> White <input type="checkbox"/> Ant. Bronze <input type="checkbox"/> Gold		
	Mounting Bracket		Bracket Projection (For Single Sets Only)		Additional Support Brackets	Fascia Design (Deco Lite/Tuscany)	Finial # / Miter Return Projection	
	<input type="checkbox"/> Wall Mount <input type="checkbox"/> Ceiling Mount		<input type="checkbox"/> 3 1/2" to 4 1/2" <input type="checkbox"/> 6" to 7"				<input type="checkbox"/> 3 1/2" <input type="checkbox"/> 4 1/2" <input type="checkbox"/> 6" <input type="checkbox"/> 7"	

2.	Set#	Qty	Rod Dia. (Inches)	Fascia Length* (Inches) (Not Including Finials)	Front Rod Rings (As Per Guide)	Back Rod For Double Set	Additional Traversing Glides	Rod Set Finish
						<input type="checkbox"/> None <input type="checkbox"/> 4 Per Foot (Std.) <input type="checkbox"/> Other: _____(Total)	<input type="checkbox"/> Track & Fascia <input type="checkbox"/> Track Only	
	Type of Draw	Opening	Cord Drop	Cord Length	Track System		Track Finish	
	<input type="checkbox"/> Cord <input type="checkbox"/> Baton _____"	<input type="checkbox"/> Left Stack <input type="checkbox"/> Right Stack <input type="checkbox"/> Center Open	<input type="checkbox"/> Left <input type="checkbox"/> Right	<input type="checkbox"/> Standard (8 Feet) <input type="checkbox"/> Other: _____"	<input type="checkbox"/> Pinch Pleat <input type="checkbox"/> RippleFold <input type="checkbox"/> 60% <input type="checkbox"/> 80% <input type="checkbox"/> 100% <input type="checkbox"/> 120%	<input type="checkbox"/> Black <input type="checkbox"/> White <input type="checkbox"/> Ant. Bronze <input type="checkbox"/> Gold		
	Mounting Bracket		Bracket Projection (For Single Sets Only)		Additional Support Brackets	Fascia Design (Deco Lite/Tuscany)	Finial # / Miter Return Projection	
	<input type="checkbox"/> Wall Mount <input type="checkbox"/> Ceiling Mount		<input type="checkbox"/> 3 1/2" to 4 1/2" <input type="checkbox"/> 6" to 7"				<input type="checkbox"/> 3 1/2" <input type="checkbox"/> 4 1/2" <input type="checkbox"/> 6" <input type="checkbox"/> 7"	

Notes: \_\_\_\_\_

---



---

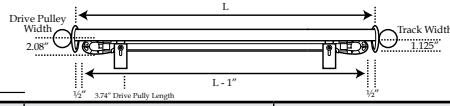


---

# TRAVERSING WITH SOMFY MOTORIZATION ORDER FORM

Designers' Choice Traversing, Deco Lite Traversing, Tuscany Traversing, Tuscany Collection Cornices, and Tropical Collection Cornices

CUSTOMER INFORMATION			
Company Name:		Page ____ of ____	
Ordered By (Name):		Order Date:	
Side Mark:		Account#:	
Phone:		PO#:	
Ship to:		Drawing/Template: Yes: <input type="checkbox"/> No: <input type="checkbox"/>	
Street:		Order Type: Reg: <input type="checkbox"/> Rush: <input type="checkbox"/> Hot Rush: <input type="checkbox"/>	
City:	State:	Zip:	Delivery Location: Business: <input type="checkbox"/> Residential: <input type="checkbox"/>
Ship Via: FedEx Ground: <input type="checkbox"/> 3 Day: <input type="checkbox"/> 2 Day: <input type="checkbox"/> Overnight: <input type="checkbox"/> Truck: <input type="checkbox"/> Will Call: <input type="checkbox"/> Other: _____			



- \*Measurement Guidelines**
- Please specify fascia length when ordering.
  - Track length will be 1" shorter than fascia length. (L - 1")

**Total Number of Rod Sets Ordered on this PO:** \_\_\_\_\_

Set#	Qty	Rod Dia. (Inches)	Fascia Length* (Inches) (Not Including Finials)	Front Rod Rings (As Per Guide)	Back Rod For Double Set	Additional Traversing Glides	Rod Set Finish	
				<input type="checkbox"/> None <input type="checkbox"/> 4 Per Foot (Std.) <input type="checkbox"/> Other: _____ (Total)	<input type="checkbox"/> Track & Fascia <input type="checkbox"/> Track Only			
1.	Motor		Opening		Track System		Track Finish	
	<input type="checkbox"/> 35 RTS <input type="checkbox"/> 60e RTS		<input type="checkbox"/> Left Stack <input type="checkbox"/> Right Stack <input type="checkbox"/> Center Open		<input type="checkbox"/> Pinch Pleat <input type="checkbox"/> RippleFold: <input type="checkbox"/> 80% <input type="checkbox"/> 100% <input type="checkbox"/> 120%		<input type="checkbox"/> Black <input type="checkbox"/> White <input type="checkbox"/> Ant. Bronze <input type="checkbox"/> Gold	
	Mounting Bracket		Bracket Projection (For Single Sets Only)		Additional Support Brackets		Fascia Design (Deco Lite/Tuscany)	
<input type="checkbox"/> Wall Mount <input type="checkbox"/> Ceiling Mount		<input type="checkbox"/> 3 1/2" to 4 1/2" <input type="checkbox"/> 6" to 7"				<input type="checkbox"/> 3 1/2" <input type="checkbox"/> 4 1/2" <input type="checkbox"/> 6" <input type="checkbox"/> 7"		

Set#	Qty	Rod Dia. (Inches)	Fascia Length* (Inches) (Not Including Finials)	Front Rod Rings (As Per Guide)	Back Rod For Double Set	Additional Traversing Glides	Rod Set Finish	
				<input type="checkbox"/> None <input type="checkbox"/> 4 Per Foot (Std.) <input type="checkbox"/> Other: _____ (Total)	<input type="checkbox"/> Track & Fascia <input type="checkbox"/> Track Only			
2.	Motor		Opening		Track System		Track Finish	
	<input type="checkbox"/> 35 RTS <input type="checkbox"/> 60e RTS		<input type="checkbox"/> Left Stack <input type="checkbox"/> Right Stack <input type="checkbox"/> Center Open		<input type="checkbox"/> Pinch Pleat <input type="checkbox"/> RippleFold: <input type="checkbox"/> 80% <input type="checkbox"/> 100% <input type="checkbox"/> 120%		<input type="checkbox"/> Black <input type="checkbox"/> White <input type="checkbox"/> Ant. Bronze <input type="checkbox"/> Gold	
	Mounting Bracket		Bracket Projection (For Single Sets Only)		Additional Support Brackets		Fascia Design (Deco Lite/Tuscany)	
<input type="checkbox"/> Wall Mount <input type="checkbox"/> Ceiling Mount		<input type="checkbox"/> 3 1/2" to 4 1/2" <input type="checkbox"/> 6" to 7"				<input type="checkbox"/> 3 1/2" <input type="checkbox"/> 4 1/2" <input type="checkbox"/> 6" <input type="checkbox"/> 7"		

**Controls**

Remote	Finish	Qty
<input type="checkbox"/> Telis 1 RTS	<input type="checkbox"/> Pure	
<input type="checkbox"/> Telis 5 RTS	<input type="checkbox"/> Silver	
<input type="checkbox"/> Telis 1 Chronis RTS	<input type="checkbox"/> Lounge	

Switch	Finish	Qty
<input type="checkbox"/> DecoFlex 1	<input type="checkbox"/> White	
<input type="checkbox"/> DecoFlex 5	<input type="checkbox"/> Ivory <input type="checkbox"/> Black	

**Additional Accessories**

Product #	Qty	Product #	Qty

Please specify how we should program your remote or switch. If no specification is made, we will program each track per channel.

Notes: \_\_\_\_\_

# CLIP-A-CROWN ORDER FORM

Lightweight Decorative Metal Valance Over Blinds

CUSTOMER INFORMATION							
Company Name:					Page ____ of ____		
Ordered By (Name):					Order Date:		
Side Mark:					Account#:		
Phone:					PO#:		
Ship to:					Drawing/Template: Yes: <input type="checkbox"/> No: <input type="checkbox"/>		
Street:					Order Type: Reg: <input type="checkbox"/> Rush: <input type="checkbox"/> Hot Rush: <input type="checkbox"/>		
City:			State:		Zip:		Delivery Location: Business: <input type="checkbox"/> Residential: <input type="checkbox"/>
Ship Via:	FedEx Ground: <input type="checkbox"/>	3 Day: <input type="checkbox"/>	2 Day: <input type="checkbox"/>	Overnight: <input type="checkbox"/>	Truck: <input type="checkbox"/>	Will Call: <input type="checkbox"/>	Other:

**Total Number of Clip-A-Crown Valances Ordered on this PO:** \_\_\_\_\_

1.	Product #	Qty	Finish		Mounting Type (Choose One)	Measurement (Inches)	
			Name	Number		Inside Opening of Window Width	
					<input type="checkbox"/> Inside Mount <input type="checkbox"/> Inside Mount Plus Frame  <input type="checkbox"/> Outside Mount	Valance Width	
						Headrail Depth	
						Return	<input type="checkbox"/> L <input type="checkbox"/> R <input type="checkbox"/> Both

2.	Product #	Qty	Finish		Mounting Type (Choose One)	Measurement (Inches)	
			Name	Number		Inside Opening of Window Width	
					<input type="checkbox"/> Inside Mount <input type="checkbox"/> Inside Mount Plus Frame  <input type="checkbox"/> Outside Mount	Valance Width	
						Headrail Depth	
						Return	<input type="checkbox"/> L <input type="checkbox"/> R <input type="checkbox"/> Both

3.	Product #	Qty	Finish		Mounting Type (Choose One)	Measurement (Inches)	
			Name	Number		Inside Opening of Window Width	
					<input type="checkbox"/> Inside Mount <input type="checkbox"/> Inside Mount Plus Frame  <input type="checkbox"/> Outside Mount	Valance Width	
						Headrail Depth	
						Return	<input type="checkbox"/> L <input type="checkbox"/> R <input type="checkbox"/> Both

Notes: \_\_\_\_\_

\_\_\_\_\_

\_\_\_\_\_

\_\_\_\_\_



All orders received before 12:00 noon Pacific time will be considered same day orders.

Company Name:		Ship to:	
Ordered By (Name):		Street:	
Side Mark:		City:	State:
Phone:		Zip:	
Delivery Location: Business: <input type="checkbox"/> Residential: <input type="checkbox"/>		Ship to Phone (If by Truck):	
Ship Via: FedEx Ground: <input type="checkbox"/> 3 Day: <input type="checkbox"/> Overnight: <input type="checkbox"/> Truck: <input type="checkbox"/> Will Call: <input type="checkbox"/> Other:			

**Express It!** finishes are shipped the next business day while **Quicken It!** finishes are shipped within 3 business days.

Rod		Connector*		Finial / End Cap		Ring		Bracket		Xpress Yourway Finish	
Diameter	Length (Inches)	Quantity	Quantity	Product#	Quantity	Product#	Quantity	Product#	Quantity	Express It!	Quicken It!
										<input type="checkbox"/> BLK <input type="checkbox"/> BRN <input type="checkbox"/> PCHR <input type="checkbox"/> BNKL <input type="checkbox"/> ANT BRZ <input type="checkbox"/> SPWTR <input type="checkbox"/> ANT GLD <input type="checkbox"/> PWHT	<input type="checkbox"/> ANT BRZ <input type="checkbox"/> SPWTR <input type="checkbox"/> ANT GLD <input type="checkbox"/> PWHT
										<input type="checkbox"/> BLK <input type="checkbox"/> BRN <input type="checkbox"/> PCHR <input type="checkbox"/> BNKL <input type="checkbox"/> ANT BRZ <input type="checkbox"/> SPWTR <input type="checkbox"/> ANT GLD <input type="checkbox"/> PWHT	<input type="checkbox"/> ANT BRZ <input type="checkbox"/> SPWTR <input type="checkbox"/> ANT GLD <input type="checkbox"/> PWHT
										<input type="checkbox"/> BLK <input type="checkbox"/> BRN <input type="checkbox"/> PCHR <input type="checkbox"/> BNKL <input type="checkbox"/> ANT BRZ <input type="checkbox"/> SPWTR <input type="checkbox"/> ANT GLD <input type="checkbox"/> PWHT	<input type="checkbox"/> ANT BRZ <input type="checkbox"/> SPWTR <input type="checkbox"/> ANT GLD <input type="checkbox"/> PWHT

\* The maximum length for unspliced rods is 120" for Iron Art™ and 106" for Italian. Rods over 106" that are not specified as one piece will automatically be spliced to save on shipping charges, and a connector charge will be added. Splices are placed in the center unless another location is otherwise noted. Rods over 106" can only be shipped via common carrier (truck line).

Socket		Xpress Yourway Finish		Tieback		Xpress Yourway Finish		Baton			
Product#	Qty.	Express It!	Quicken It!	Product#	Qty.	Express It!	Quicken It!	Product#	Qty.		
		<input type="checkbox"/> BLK <input type="checkbox"/> BRN <input type="checkbox"/> ANT BRZ <input type="checkbox"/> SPWTR <input type="checkbox"/> ANT GLD <input type="checkbox"/> PWHT	<input type="checkbox"/> ANT BRZ <input type="checkbox"/> SPWTR <input type="checkbox"/> ANT GLD <input type="checkbox"/> PWHT			<input type="checkbox"/> BLK <input type="checkbox"/> BRN <input type="checkbox"/> ANT BRZ <input type="checkbox"/> SPWTR <input type="checkbox"/> ANT GLD <input type="checkbox"/> PWHT	<input type="checkbox"/> ANT BRZ <input type="checkbox"/> SPWTR <input type="checkbox"/> ANT GLD <input type="checkbox"/> PWHT			<input type="checkbox"/> BLK <input type="checkbox"/> BRN <input type="checkbox"/> ANT BRZ <input type="checkbox"/> SPWTR <input type="checkbox"/> ANT GLD <input type="checkbox"/> PWHT	<input type="checkbox"/> ANT BRZ <input type="checkbox"/> SPWTR <input type="checkbox"/> ANT GLD <input type="checkbox"/> PWHT
		<input type="checkbox"/> BLK <input type="checkbox"/> BRN <input type="checkbox"/> ANT BRZ <input type="checkbox"/> SPWTR <input type="checkbox"/> ANT GLD <input type="checkbox"/> PWHT	<input type="checkbox"/> ANT BRZ <input type="checkbox"/> SPWTR <input type="checkbox"/> ANT GLD <input type="checkbox"/> PWHT			<input type="checkbox"/> BLK <input type="checkbox"/> BRN <input type="checkbox"/> ANT BRZ <input type="checkbox"/> SPWTR <input type="checkbox"/> ANT GLD <input type="checkbox"/> PWHT	<input type="checkbox"/> ANT BRZ <input type="checkbox"/> SPWTR <input type="checkbox"/> ANT GLD <input type="checkbox"/> PWHT			<input type="checkbox"/> BLK <input type="checkbox"/> BRN <input type="checkbox"/> ANT BRZ <input type="checkbox"/> SPWTR <input type="checkbox"/> ANT GLD <input type="checkbox"/> PWHT	<input type="checkbox"/> ANT BRZ <input type="checkbox"/> SPWTR <input type="checkbox"/> ANT GLD <input type="checkbox"/> PWHT
		<input type="checkbox"/> BLK <input type="checkbox"/> BRN <input type="checkbox"/> ANT BRZ <input type="checkbox"/> SPWTR <input type="checkbox"/> ANT GLD <input type="checkbox"/> PWHT	<input type="checkbox"/> ANT BRZ <input type="checkbox"/> SPWTR <input type="checkbox"/> ANT GLD <input type="checkbox"/> PWHT			<input type="checkbox"/> BLK <input type="checkbox"/> BRN <input type="checkbox"/> ANT BRZ <input type="checkbox"/> SPWTR <input type="checkbox"/> ANT GLD <input type="checkbox"/> PWHT	<input type="checkbox"/> ANT BRZ <input type="checkbox"/> SPWTR <input type="checkbox"/> ANT GLD <input type="checkbox"/> PWHT			<input type="checkbox"/> BLK <input type="checkbox"/> BRN <input type="checkbox"/> ANT BRZ <input type="checkbox"/> SPWTR <input type="checkbox"/> ANT GLD <input type="checkbox"/> PWHT	<input type="checkbox"/> ANT BRZ <input type="checkbox"/> SPWTR <input type="checkbox"/> ANT GLD <input type="checkbox"/> PWHT

**Iron Art Line Finishes** : Black (BLK), Brown (BRN), Antique Bronze (ANT BRZ), Antique Gold (ANT GLD), Soft Pewter (SPWTR), Pure White (PWHT)  
**Italian Line Finishes** : Polished Chrome (PCHR), Brushed Nickel (BNKL)

# HAND-MADE IN THE USA

## YOUR ORDER GETS US STARTED.

You choose the hardware, and then select from any of our 35 Iron Art™ finishes, 11 Wood Art™ finishes, 6 Italian Collection finishes, 6 Tropical Collection finishes, or create your own custom color. We hand-make each order to your exact, individual specifications every time.



From design concept, to final and rod styles (including traversing; manual or motorized), to the final hand-painting, Orion products are hand-made just for you here in the USA.



In September, Orion was selected as a finalist in the 2014 Martha Stewart American Made Awards. Orion is delighted to have been a finalist in this amazing group of makers, small-business owners, and creative entrepreneurs who have turned their passion for quality craftsmanship and well-designed goods into a way of life.



"Our world revolves around you!"

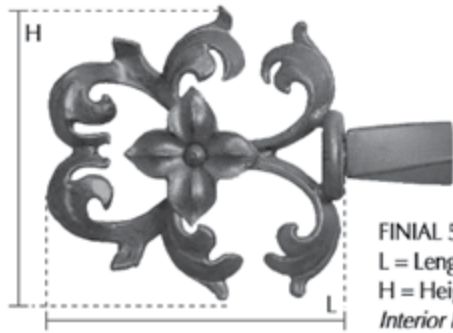
Your complete delight in our products and service, from start to finish, is our single most important goal. We say, "Our world revolves around you." – and we mean it. That's why we always ask for your feedback. We know we are only practically perfect, but we keep trying. ([www.ironartbyorion.com/surveyFeedback.asp](http://www.ironartbyorion.com/surveyFeedback.asp))

## GORION Green

To complete the product cycle, we want you to know that "Going Green" is important at Orion. That's why we offer you a chance to join us in support of conservation and preservation work. When you participate in the Orion Green program \$1.00 will be added to each of your invoices. Orion will match this donation by \$2.00 as each invoice gets paid. The total donation of \$3.00 per invoice will be contributed to Earth Island Institute. The more invoices, the greater the contribution! ([www.earthisland.org](http://www.earthisland.org))

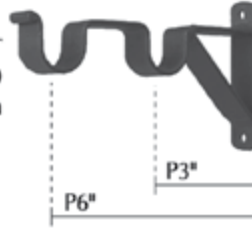


# MEASUREMENT GUIDELINES

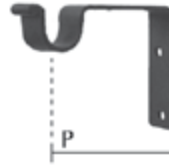


**FINIAL 501**  
L = Length  
H = Height  
*Interior Fit*

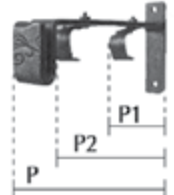
**BRACKET 1024DBWS-RND**  
P = Projection



**BRACKET 1028-RND**  
P = Projection



**BRACKET 261**  
P1 = Length of First Traverse  
P2 = Length of Second Traverse  
P = Overall Projection

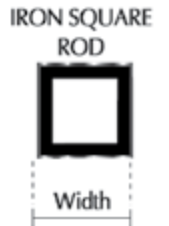
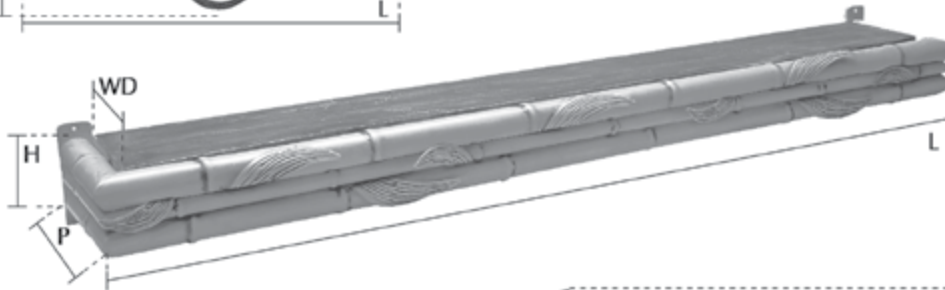


**WOOD BRACKET AMERICAN 50455**  
P = Projection

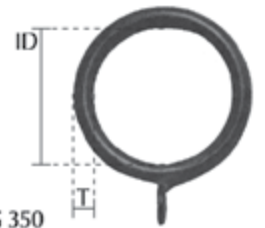


**FINIAL 991**  
L = Length  
H = Height  
*Exterior Fit*

**DECORATIVE CORNICE BAMBOO 9040**  
H = Height  
L = Length  
P = Projection  
WD = Wood Duster



**DECORATIVE ROD 254**  
H = Height D = Diameter

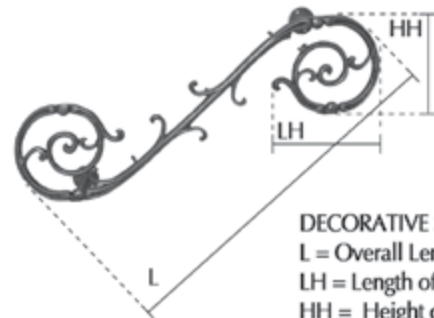
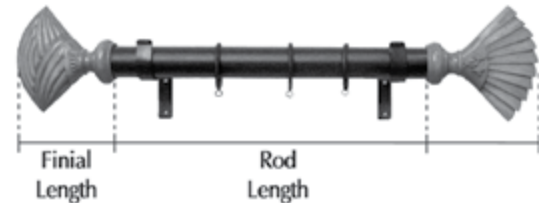


**RING 350**  
ID = Internal Diameter  
T = Thickness

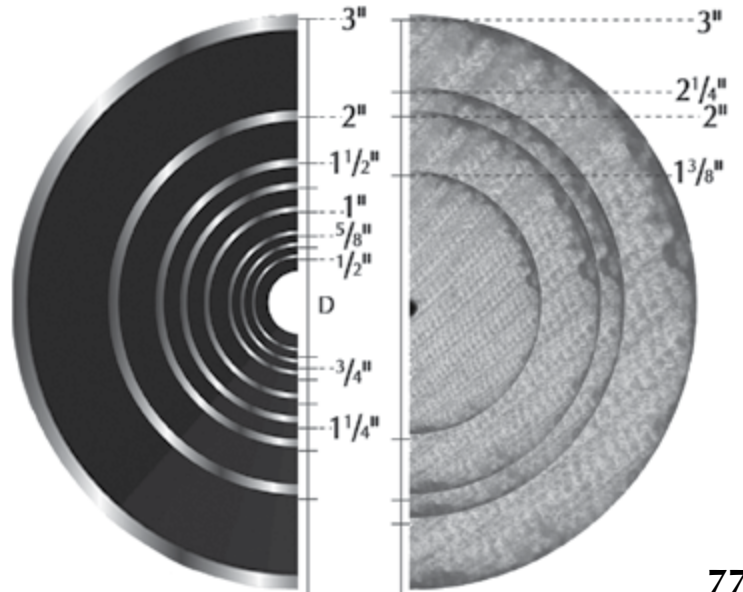


**DECORATIVE ROD 280**  
L = Length

**IRON RODS**      **WOOD RODS**  
D = Diameter



**DECORATIVE SCROLL 267**  
L = Overall Length  
LH = Length of Head  
HH = Height of Head



# ORION

ORNAMENTAL IRON, INC.



**Made in USA**

Fall 2014