

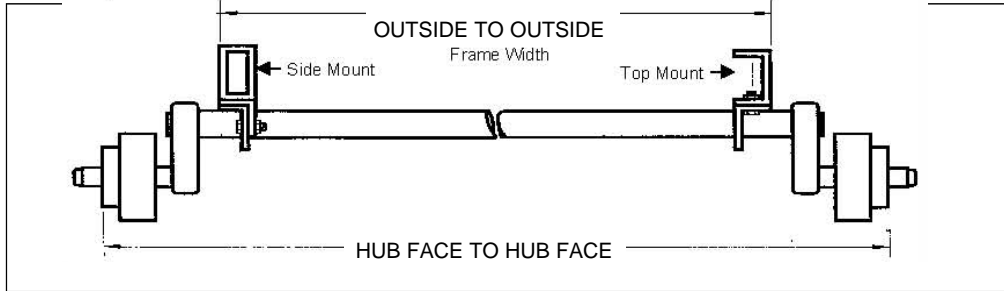
Torflex Axle Order Form

Special/custom orders are non-returnable and non-refundable.

Quantity: _____ Capacity: _____ Axle Serial Number: _____

Frame to Frame: _____ Hub Face: _____

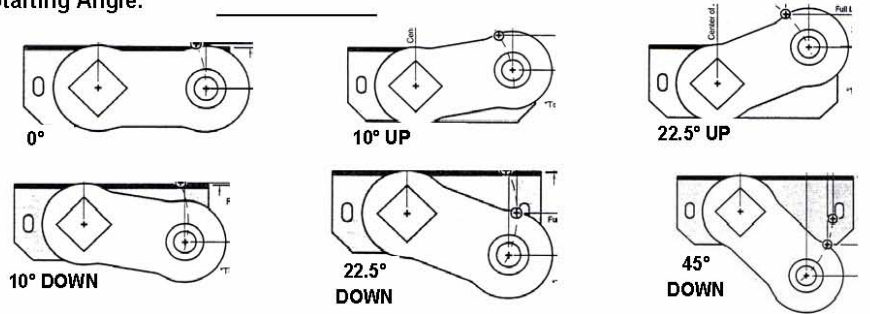
Track: _____ (If duals are used)



Single Tandem Triple **(circle one)**

Tire Size: _____ IE. 225/80R15

Starting Angle: _____



Also available: 32° Down

| | | | | |
|---|--|--|--|--|
| Bracket Mounting SIDE TOP | | Bracket Orientation STANDARD REVERSE | | Bracket Profile LOW HIGH 1" or 3" |
|---|--|--|--|--|

Date: _____ Account # _____

Account Name: _____

Address: _____

City: _____

State: _____ Zip: _____

Contact Person: _____

Email Address: _____

Phone #: _____ Fax #: _____

I verify that the axles indicated above are correct, that Dexter is allowed a 1/4" plus or minus tolerance on these measurements, *that all upgrades I need are listed above*, that non-refundable deposits may be required or forfeited if axles are not picked up in 30 days and that axles are not returnable.

Signature: _____

Hub Type: Grease Oil Bath EZ Lube™ Nev-R-Lube™ **(circle one)**

Brake Type: Electric: Nev-R-Adjust™ Manual Adj **(circle one)**

Hydraulic: Duo-Servo Uni-Servo (surge) **(circle one)**

Idler

Wheel Bolt Pattern: _____ Stud Size: 1/2 - 9/16 - 5/8 **(circle one)**

Attaching Kit: Top Mount Side Mount **(circle one)**

Special Features: _____

(other than above) _____

Please complete the form, sign, and fax to 844-303-8687 OR
EMAIL TO CHRISTINA@TRAILERPARTSUNLIMITED.COM to
order the axle.

**Custom Axle Orders Are Non-Refundable.
Custom Axles Take 4-6 Weeks In Most Cases.**

We have seen them take longer in some cases. Please understand that sometimes they will take as long as it takes and we have no control over it. We are not the manufacture and can not control how long they take. We can only provide great prices on the items we offer but sometimes it takes longer than expected.