

SPECIFICATIONS:

Impedance: 50 Ohm

Frequency: DC– 11 GHz

VSWR: 1.20:1 @ 6 GHz

Operating temp. : -°45C - +125°C

Contact resistance

Center conductor: 3.0mΩ

Outer conductor: 2.0mΩ

Insulation resistance: 5,000MΩ

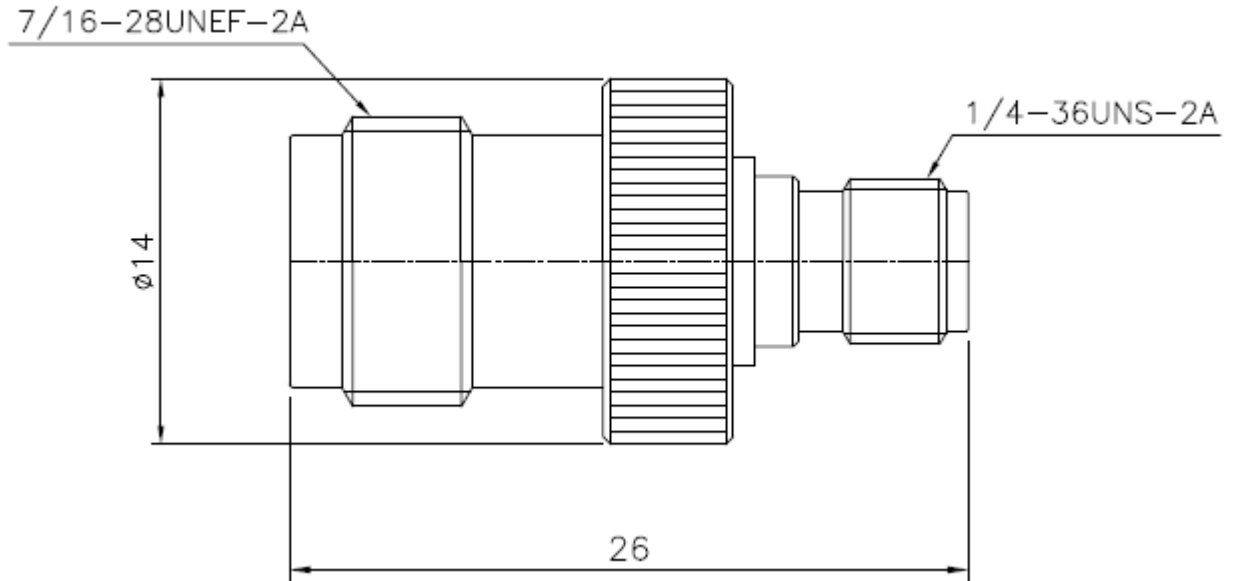
Dielectric withstanding voltage: 1,000V

Working voltage: 500V rms

Durability: 500 Cycles

RoHS Compliant

Part	Material	Plating
Body	Brass	Nickel
Center Contact	Beryllium Copper	Gold
Insulator	PTFE	---



Dimensions are in mm,
for reference only, and are
subject to change
without notice.



Premier RF

17 Roslyn CT
Patchogue, NY 11772
PH: 631-447-3804
sales@premierRF.com
www.premierRF.com

8/23/2012
APPROVED
A. Ianacci

PART NUMBER	PRF-AD1F4F
DESCRIPTION	SMA FEMALE TO TNC FEMALE ADAPTER