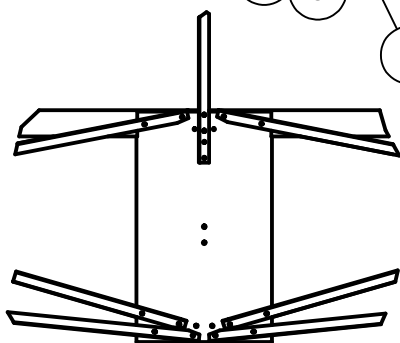
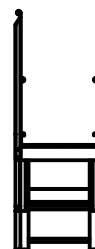
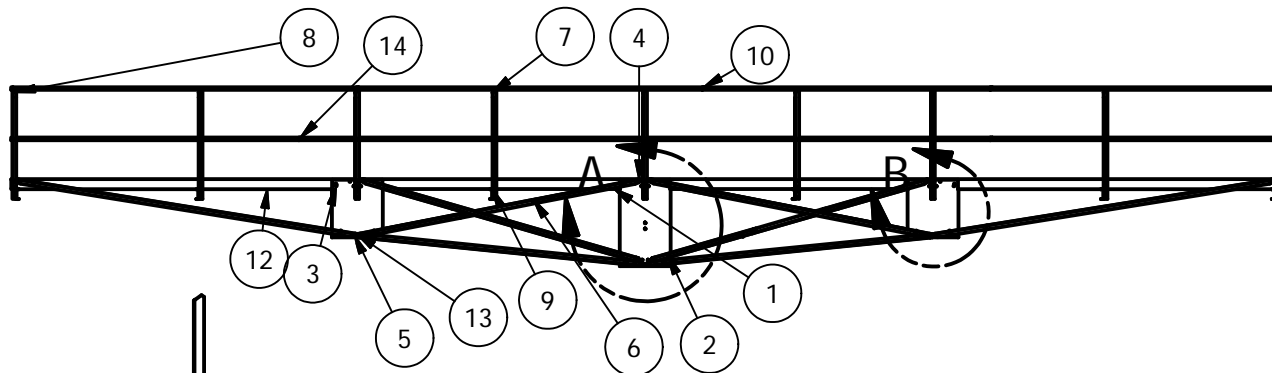
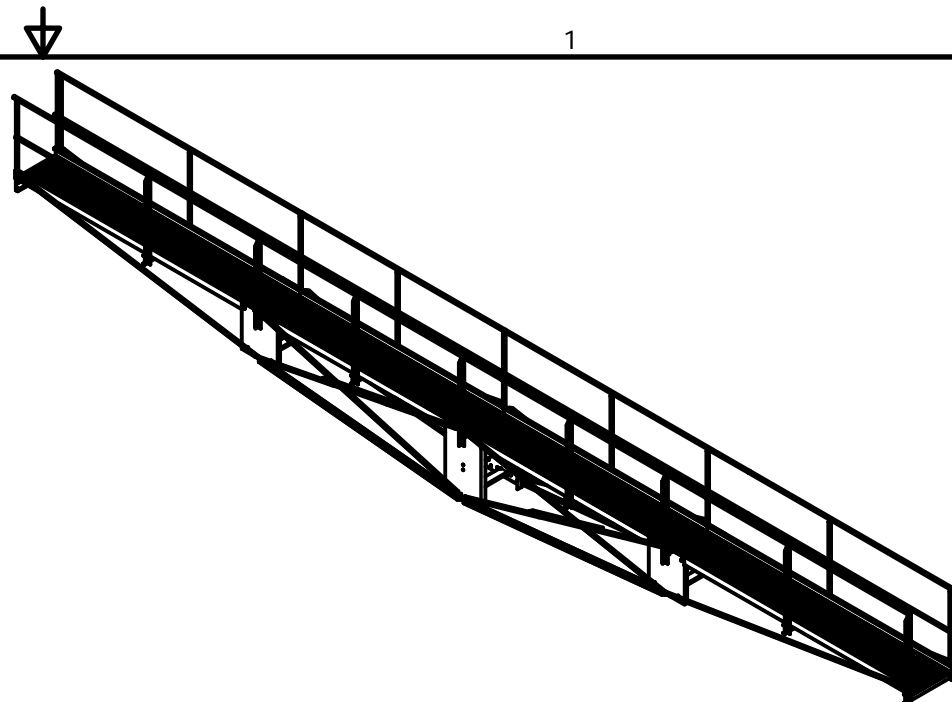


2

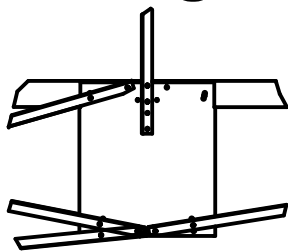
1

PARTS LIST

ITEM	QTY	PART NUMBER
1	2	61610
2	2	6236 splice plate
3	4	6205 Splice Plate
4	8	6210 10' Manwalk brace
5	7	6203 Plate Brace
6	12	63101 Short 10' brace
7	9	6206 Manwalk Post R
8	9	6207 Manwalk Post L
9	6	6208 Post Brace
10	8	HR1120
11	12	HRS185 Handrail slice
12	2	12 Manwalk deck
13	4	6212 12' Brace
14	8	HR1144



DETAIL A  
SCALE 1 / 30



DETAIL B  
SCALE 1 / 30



DRAWN James	10/7/2015	Greene Galvanized Stairs	
CHECKED		TITLE	
QA		44' Manwalk Instructions	
MFG		SIZE A	DWG NO IN-62010
APPROVED		SCALE	REV
		SHEET 1 OF 2	

2

1

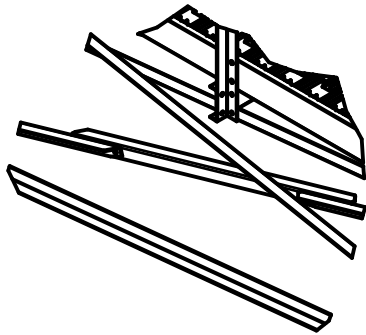


2

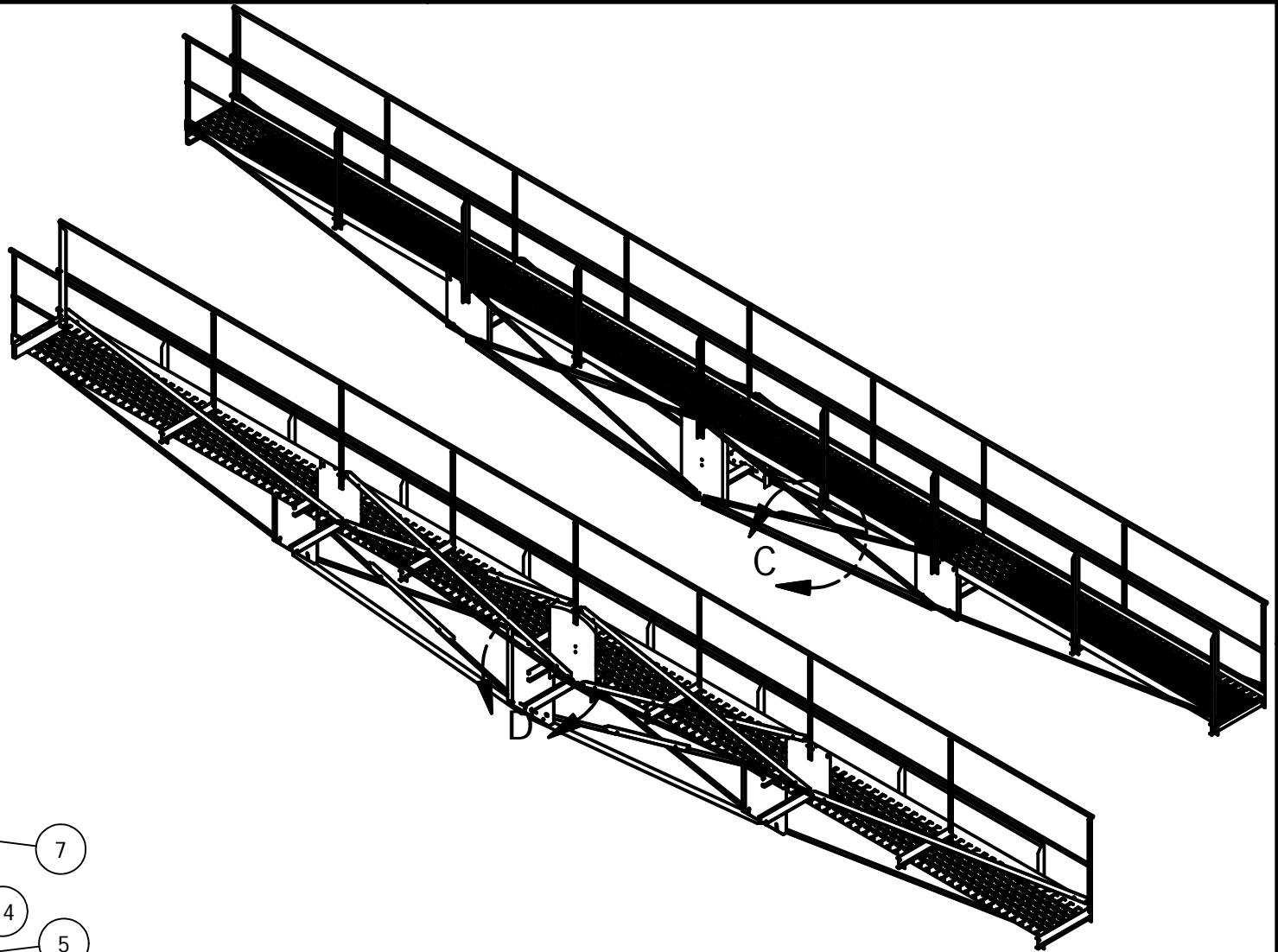
1

B

B



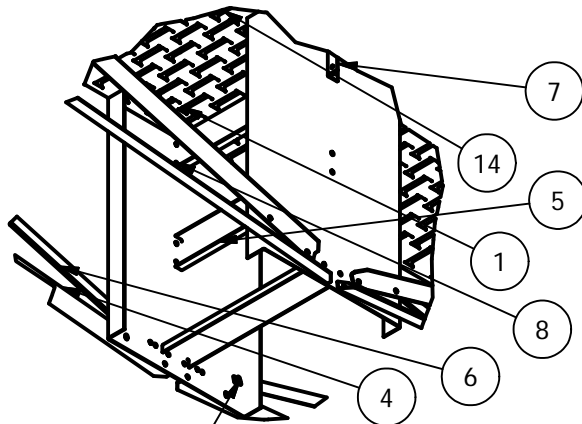
DETAIL C  
SCALE 1 / 21



C

A

A



DETAIL D  
SCALE 1 / 21

2

2

1

1



DRAWN James	10/7/2015	Greene Galvanized Stairs	
CHECKED		TITLE	
QA		44' Manwalk Instructions	
MFG		SIZE A	DWG NO IN-62010
APPROVED		SCALE	REV
			SHEET 2 OF 2