

Accessories

DC Power Supply

DCPS-D5010



DCPS-D3040



	DCPS-D5010	DCPS-D3040
AC Input	220VAC±10% 50/60Hz	220VAC±10% 50/60Hz
Power Consumption	600W	1200W
Output Voltage	0-50VDC	0-30VDC
output current	0-10VDC	0-40VDC
Analog Input	0-20mA	0-20mA
Control Mode	Local Control/analog quantity/RS485	

Temperature Controller

TC-C1



TC-K1



External Cooling with Shutter



Part Number ECK38



Part Number ECK63

	TC-C1	TC-K1
AC Input	220VAC±10% 50/60Hz	
Power Consumption	20W	
Signal Output	0-20mA	
Temperature sensor	Type C / K	

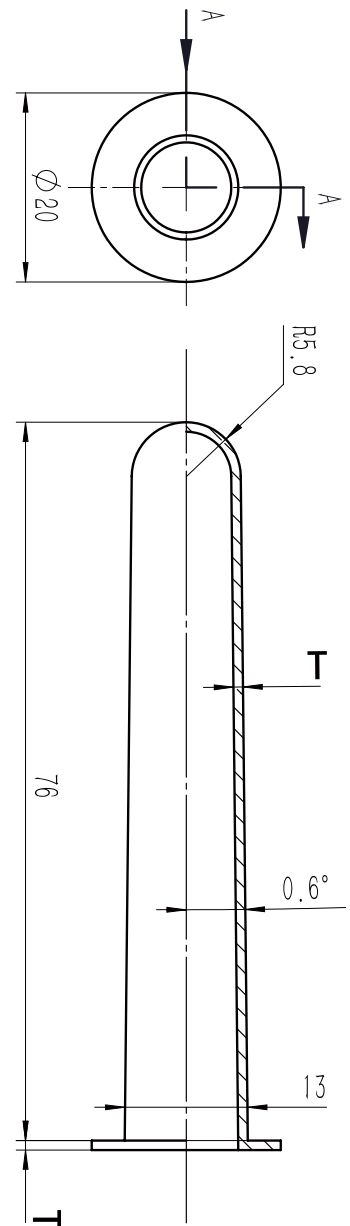
Accessories



AL₂O₃ PBN PG Quartz Ta W Mo

Crucible Material	Al ₂ O ₃	PBN	Graphite	Quartz	Ta	W	Mo
Working Temp. (°C)	1600	1400	2000	1200	2500	3000	2000
Compatible Elements	Au	Al	Ti	CaF ₂	Cu	Pb	P
	Ag	Au	Pt	Cd	Si	V	CU
	Cd	S	P	K	Pb	Au	V
	Ce	Sn		Zn	Ba	Ag	Sr
	Co	Te		Eu
	Cu	Pb					...
	Fe	...					
	GaN						
	Zn						
MgF ₂							
...							

Type	T(thickness) / mm
Al ₂ O ₃	2
PBN	0.8
PG	0.8
Quartz	1
Ta	0.5
W	0.5
Mo	0.5



*Call In For Any Individual Request