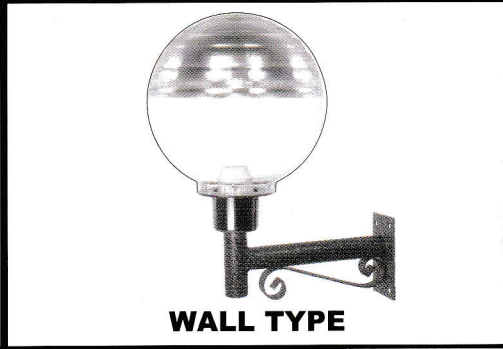
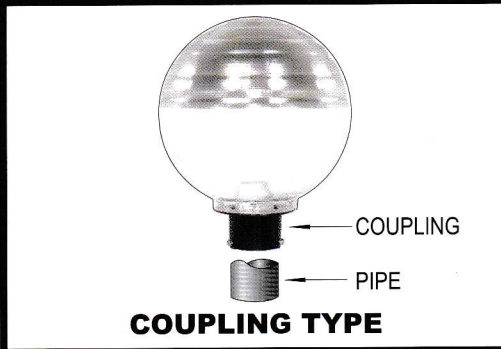
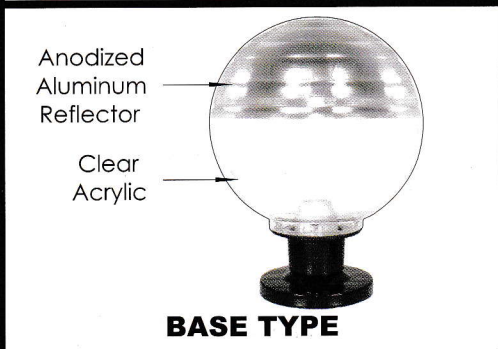


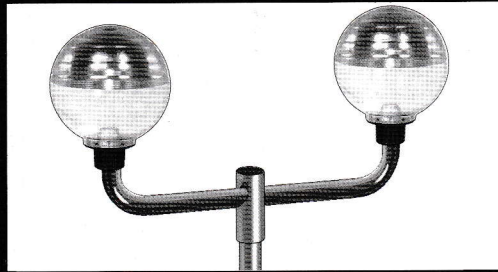
AMCO CLEAR ACRYLIC GLOBE W/ HALF ANODIZED ALUMINUM REFLECTOR, BASE, POST AND ACCESSORIES



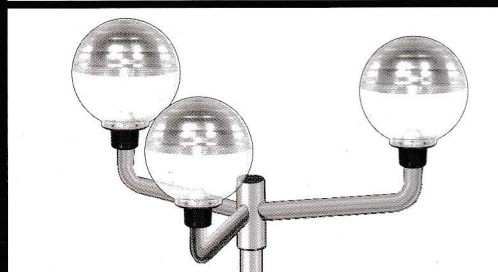
MODEL NO.	DIAMETER
AP-1007-S-AL	6" (152.4mm)
AP-1003-GS-AL	8" (203.2mm)
AP-1003-G-AL	10" (254.0mm)
C - 67 - B - AL	12" (304.8mm)
C - 63 - B - AL	14" (355.6mm)
C - 68 - B - AL	16" (406.4mm)
C - 62 - B - AL	18" (457.2mm)
C - 60 - B - AL	21" (533.4mm)
C - 59 - B - AL	24" (609.6mm)

MODEL NO.	DIAMETER
AP-1007-AL	6" (152.4mm)
AP-1003-CS-AL	8" (203.2mm)
AP-1003-C-AL	10" (254.0mm)
C - 67 - TC - AL	12" (304.8mm)
C - 63 - TC - AL	14" (355.6mm)
C - 68 - TC - AL	16" (406.4mm)
C - 62 - TC - AL	18" (457.2mm)
C - 60 - TC - AL	21" (533.4mm)
C - 59 - TC - AL	24" (609.6mm)

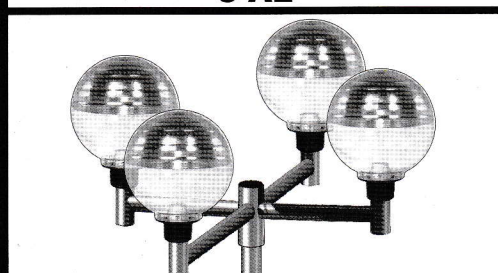
MODEL NO.	DIAMETER
AP-1007-W-AL	6" (152.4mm)
AP-1006-GS-AL	8" (203.2mm)
AP-1006-G-AL	10" (254.0mm)
C - 67 - W - AL	12" (304.8mm)
C - 63 - W - AL	14" (355.6mm)
C - 68 - W - AL	16" (406.4mm)
C - 62 - W - AL	18" (457.2mm)
C - 60 - W - AL	21" (533.4mm)
C - 59 - W - AL	24" (609.6mm)



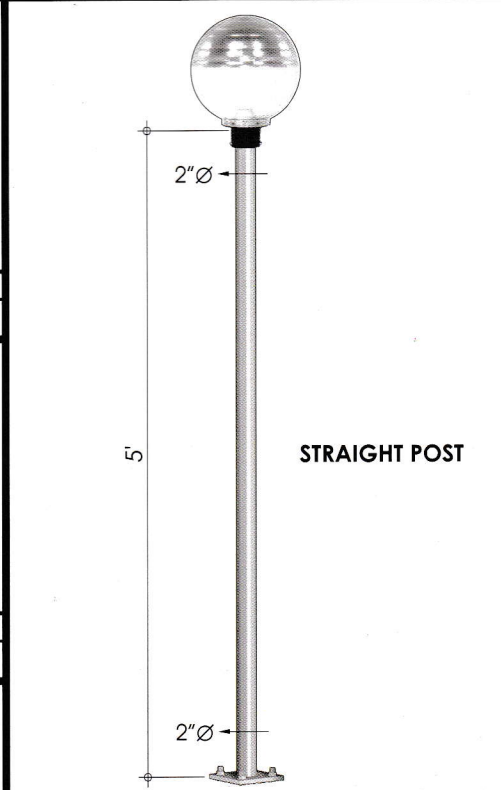
2 AL



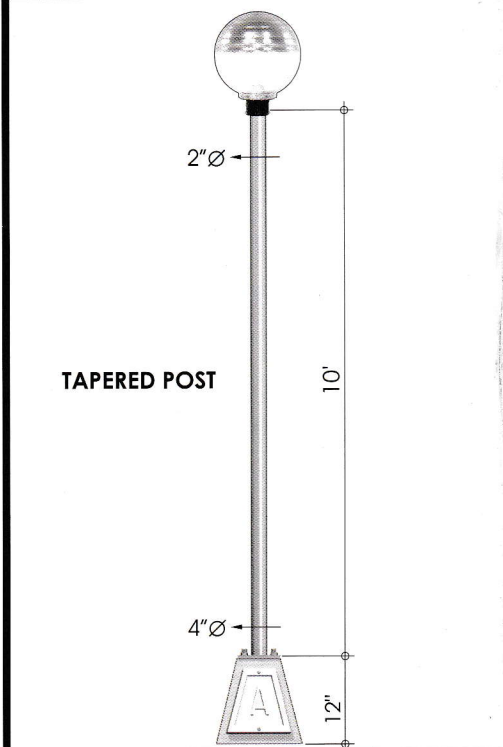
3 AL



4 AL



MODEL NO.	GLOBE DIA.	POST
1003-SP-AL	8"(203.2mm)	2"x5"
1003-P-AL	10"(254.0mm)	2"x5"
C-67-P-AL	12"(304.8mm)	2"x5"
C-63-P-AL	14"(355.6mm)	2"x5"
C-68-P-AL	16"(406.4mm)	2"x5"



MODEL NO.	GLOBE DIA.	POST
C-67-AL	12"(304.8mm)	2"x4"x10'
C-63-AL	14"(355.6mm)	2"x4"x10'
C-68-AL	16"(406.4mm)	2"x4"x10'
C-62-AL	18"(457.2mm)	2"x4"x10'
C-60-AL	21"(533.4mm)	2"x4"x10'
C-59-AL	24"(609.6mm)	2"x4"x10'