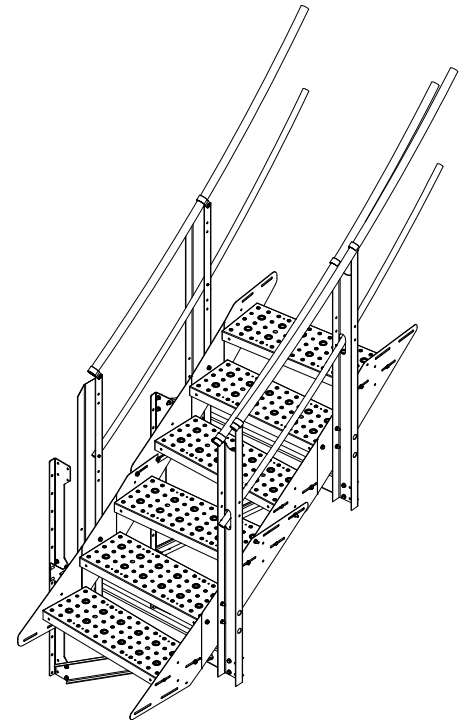
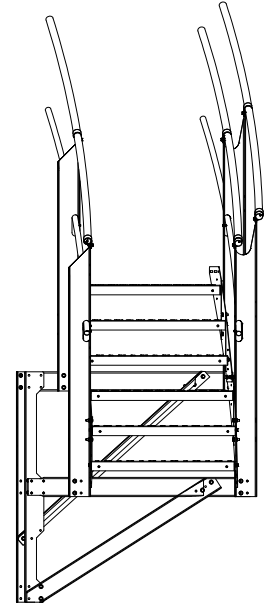


# A-Series Sidewall Stairs

AWT4400

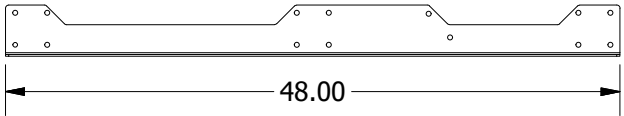
Assembly Instructions



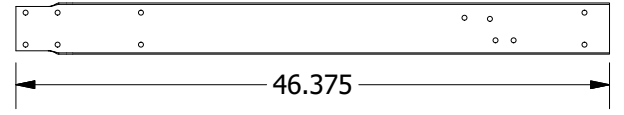
Greene Galvanized Stairs

# Parts List

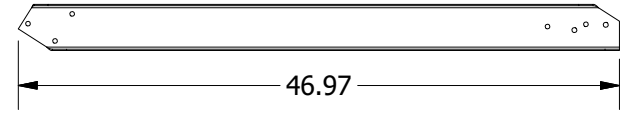
AS-40001



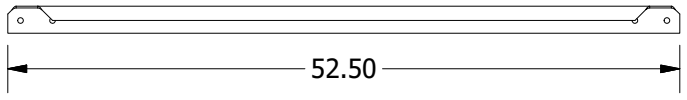
AS-40002



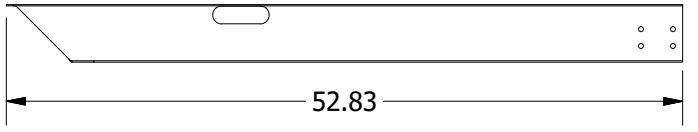
AS-40003



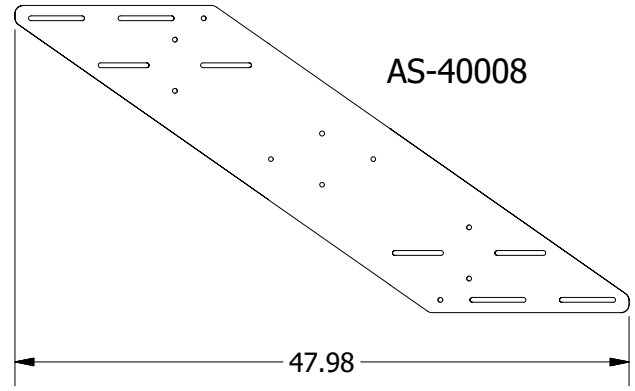
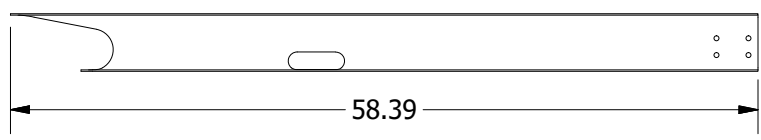
ES-8011



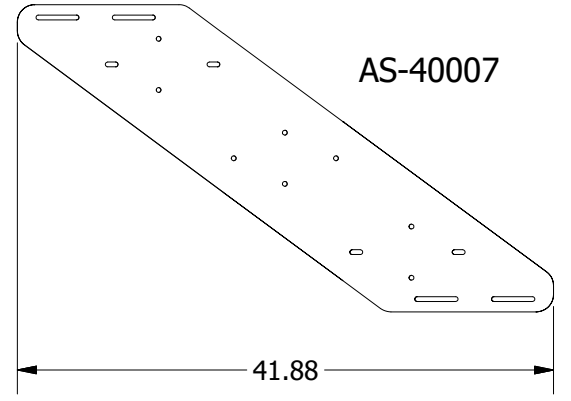
AS-40005



AS-40006

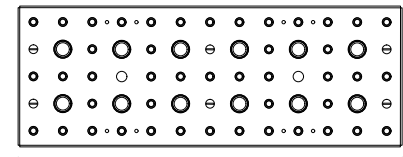


AS-40008

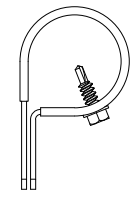


AS-40007

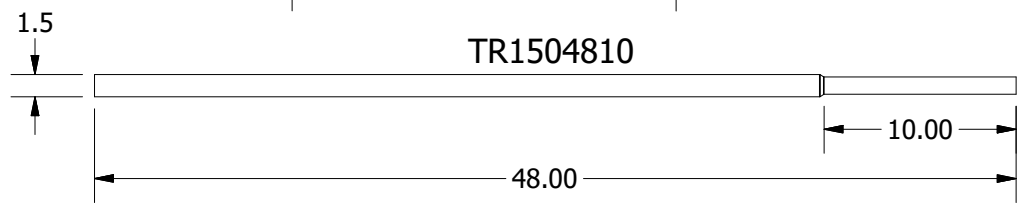
AS00030



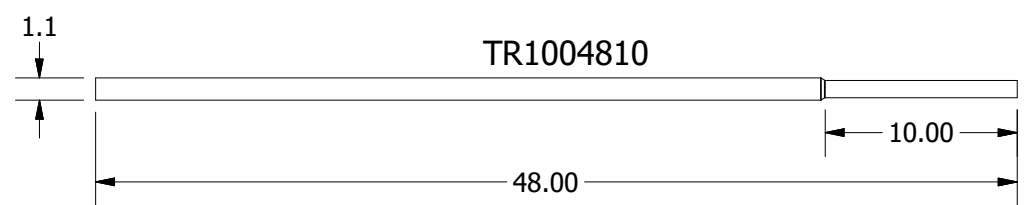
HRC1500



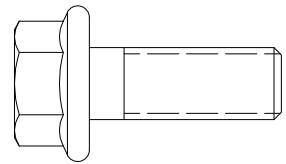
TR1504810



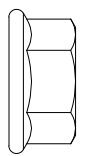
TR1004810



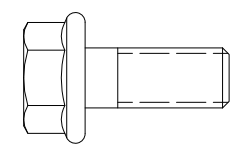
3/8-16x1SFB



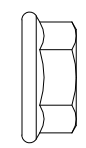
3/8-16SFN



5/16-18x3/4FB



5/16-18SFN



# Parts List (Continued)

PARTS LIST		
PART NUMBER	DESCRIPTION	QTY
AS-40001	Wall Bracket	2
AS-40002	Cross Brace	2
AS-40003	Lower Bracket Knee Brace	1
AS-40005	Inside Post	2
AS-40006	Outside Post	2
AS-40007	Inside Siderail	2
AS-40008	Outside Siderail	2
ES-8011	Higher Bracket Knee Brace	1
AS00030	30" x 11" Step Assembly	6
3/8-16x1SFB	3/8"-16 x 1" Flange Bolt	70
3/8-16SFN	3/8"-16 Whiz Lock Nut	70
5/16-18x3/4FB	5/16"-18 x 13/4" Flange Bolt	6
5/16-18SFN	5/16"-18 Whiz Lock Nut	6
Floor Screw	Self-tapping screw	10
HRC1500	1.5" Handrail Clamp	6
TR1504810	1.5" Swaged Handrail/Guardrail	3
TR1004810	1.0" Swaged Intermediate Rail	2

\*Includes one (1) AWT4401 and one (1) AWT4402

# Step 1

- A. To build the lower wall bracket (AWT4401), place the cross brace perpendicular to the wall bracket, lining up with the middle set of four holes, as shown in Figure 1.
- B. Secure in place with four (4) 3/8" Flange Bolts and four (4) 3/8" Lock Nuts.
- C. Place the diagonal brace on the wall bracket and cross brace.
- D. Secure in place with four (4) 3/8" Bin Bolts and four (4) 3/8" Lock Nuts.
- E. Secure to the bin wall using four (4) 3/8" Flange Bolts and four (4) 3/8" Lock Nuts through the AS-40001 Wall Bracket. There are three (3) horizontal bolt spaces between one Stair Wall Bracket Assembly and the next.

PARTS USED IN STEP 1		
PART NUMBER	DESCRIPTION	QTY
AS-40001	Wall Bracket	1
AS-40002	Cross Brace	1
AS-40003	Diagonal Brace	1
3/8-16x1SFB	3/8"-16 x 1" Bin Bolt	12
3/8-16SFN	3/8"-16 Whiz Lock Nut	12

Figure 1

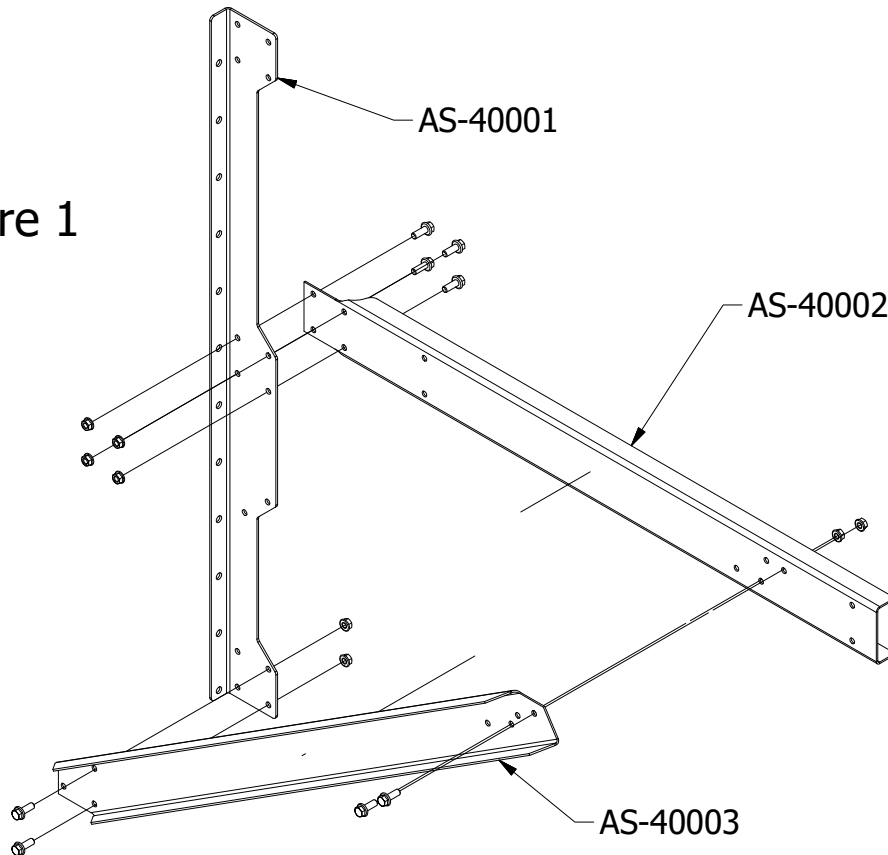
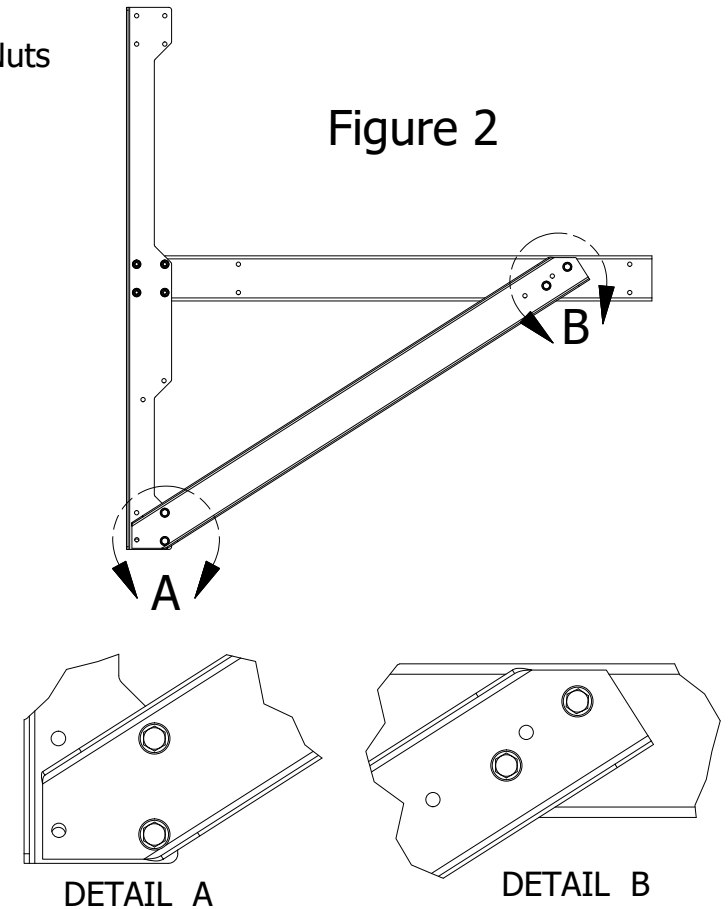


Figure 2



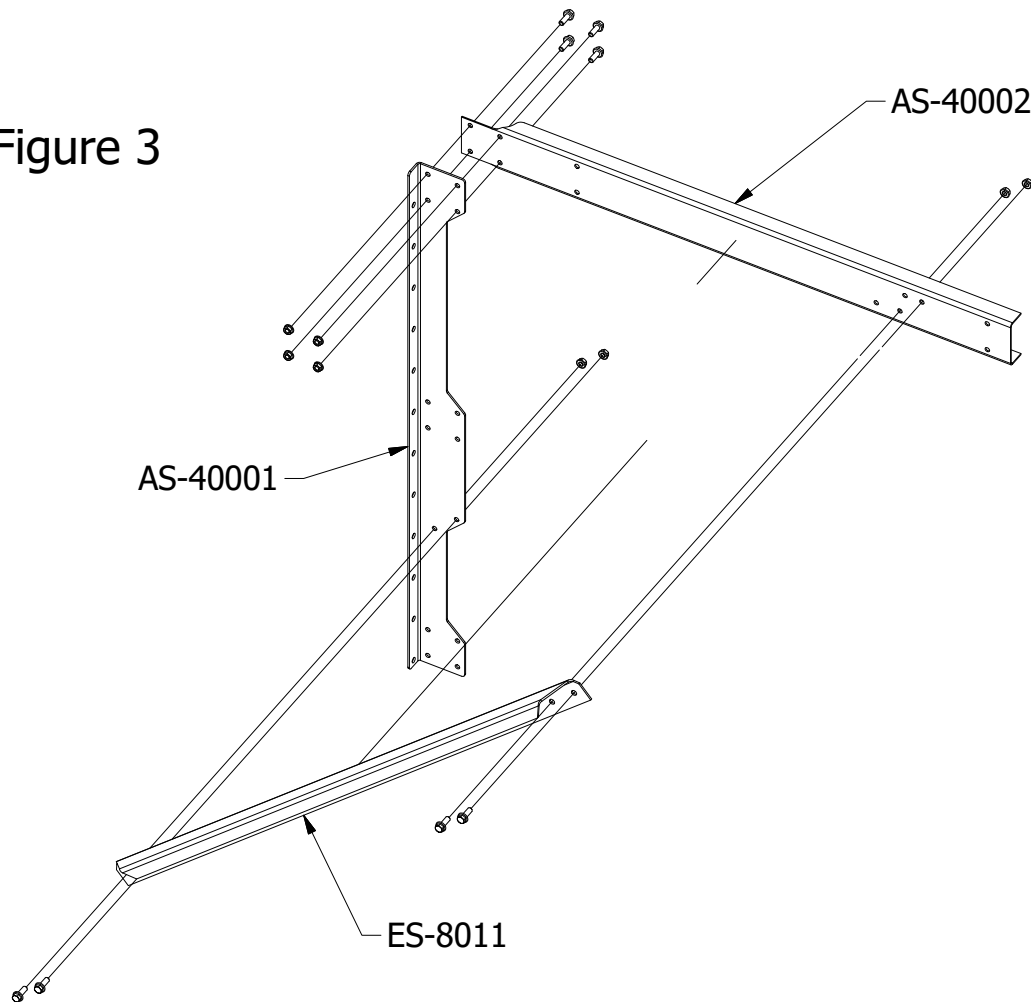
DRAWN Marcus Wilmsmeyer 4/3/2018	Greene Galvanized Stairs East Lynn, IL 217.375.4244 www.greenebinstairs.com	
CHECKED	TITLE 44" A-Series Sidewall Stairs Assembly Instructions	
QA	SIZE A	DWG NO AWT4400 Instructions
MFG	SCALE 1/17	REV
APPROVED	SHEET 4 OF 11	

# Step 2

- A. To build the upper wall bracket (AWT4402), place the cross brace perpendicular to the wall bracket, lining up with the top set of four holes, as shown in Figure 3.
- B. Secure in place with four (4) 3/8" Flange Bolts and four (4) 3/8" Lock Nuts.
- C. Place the diagonal brace on the wall bracket and cross brace.
- D. Secure in place with four (4) 3/8" Flange Bolts and four (4) 3/8" Lock Nuts.
- E. Secure to the bin wall using four (4) 3/8" Bin Bolts and four (4) 3/8" Lock Nuts through the AS-40001 Wall Bracket. There are three (3) horizontal bolt spaces between one Stair Wall Bracket Assembly and the next.

PARTS USED IN STEP 2		
PART NUMBER	DESCRIPTION	QTY
AS-40001	Wall Bracket	1
AS-40002	Cross Bar	1
ES-8011	Knee Brace	1
3/8-16x1SFB	3/8"-16 x 1" Bin Bolt	12
3/8-16SFN	3/8"-16 Whiz Lock Nut	12

Figure 3



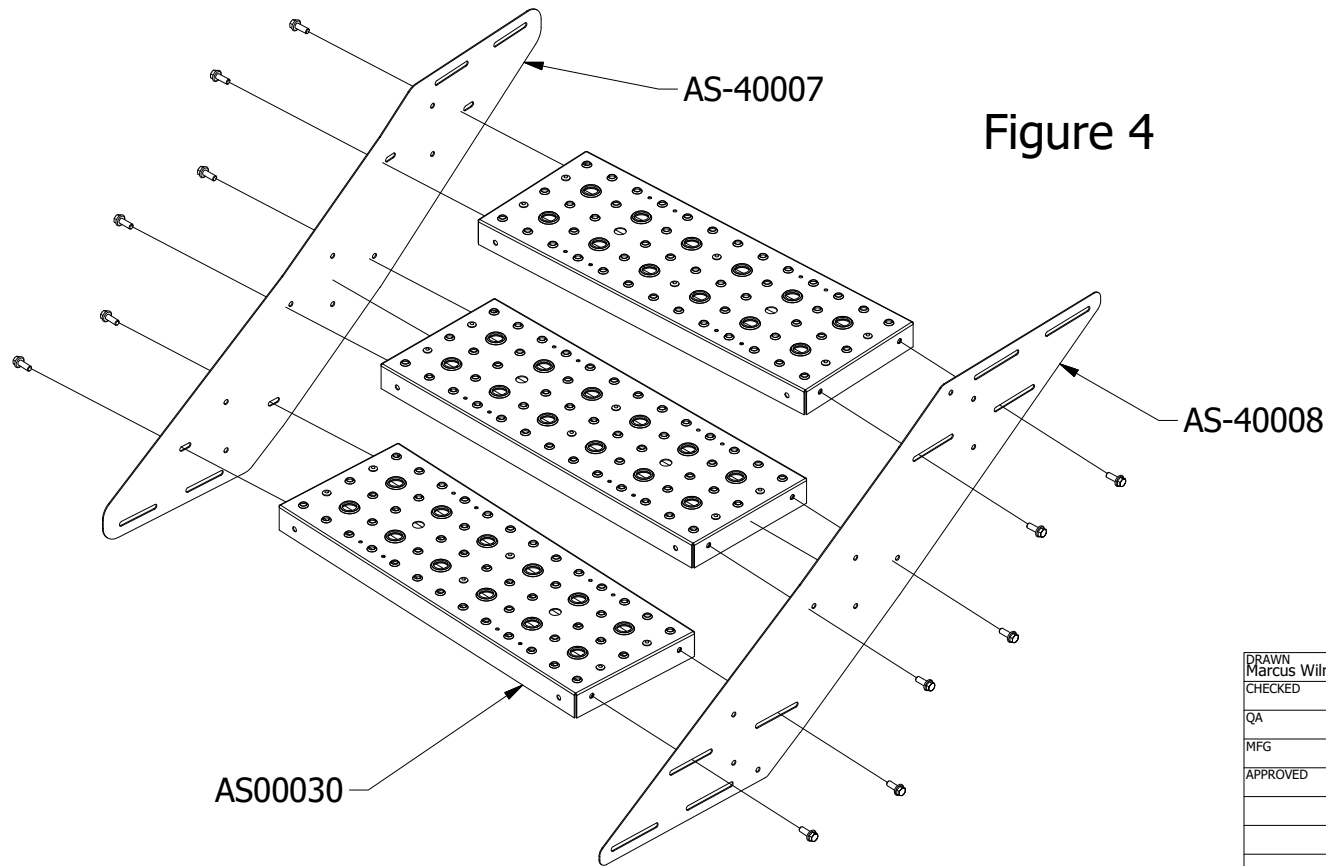
DRAWN Marcus Wilmsmeyer 4/3/2018	Greene Galvanized Stairs East Lynn, IL 217.375.4244 www.greenebinstairs.com	
CHECKED	TITLE	
QA	44" A-Series Sidewall Stairs Assembly Instructions	
MFG	SIZE A	DWG NO AWT4400 Instructions
APPROVED	SCALE 1/14	REV SHEET 5 OF 11

# Step 3

Inside Siderail AS-40007 will have a dot-matrix "I" denoting "inside", while Outside Siderail AS-40008 will have a dot-matrix "O", denoting "outside". Also, the outside siderail will have two slots and a hole at each end, while the inside siderail will have just the two slots.

- A. Attach the three (3) AS00030 stair treads to inside siderail AS-40007, using six (6) 3/8" Flange Bolts and six (6) 3/8" Lock Nuts. The bolt heads should be facing outwards from the assembly.
- B. Attach the other end of the three (3) AS00030 stair treads to outside siderail AS-40008, using six (6) 3/8" Flange Bolts and six (6) 3/8" Lock Nuts. The bolt heads should be facing outwards from the assembly.
- C. Tighten the nuts attached to the center stair tread. Leave the other two stair treads loose for final adjustment on the bin. Tighten after Step 6.
- D. Repeat A through C for the second set of three stairs.

PARTS USED IN STEP 3		
PART NUMBER	DESCRIPTION	QTY
AS-40007	Inside Siderail	2
AS-40008	Outside Siderail	2
AS00030	30" x 11" Step Assembly	6
3/8-16x1SFB	3/8"-16 x 1" Flange Bolt	24
3/8-16SFN	3/8"-16 Whiz Lock Nut	24



DRAWN Marcus Wilmsmeyer	4/3/2018	Greene Galvanized Stairs East Lynn, IL 217.375.4244 www.greenebinstairs.com	
CHECKED		TITLE	
QA		44" A-Series Sidewall Stairs Assembly Instructions	
MFG		SIZE	DWG NO
APPROVED		A	AWT4400 Instructions
		SCALE	REV
		1/13	6 OF 11

# Step 4

- A. Place two (2) AS-40005 inside posts on the two wall brackets installed in Steps 1 and 2. Secure in place using two (2) 3/8" Flange Bolts and two (2) 3/8" Lock Nuts on each post. See Detail C for the hole location.
- B. Install the first stair set onto the first of the two posts. Refer to Detail D for the location of the bolt holes. Secure in place using two (2) 3/8" Flange Bolts and two (2) 3/8" Lock Nuts.

PARTS USED IN STEP 4		
PART NUMBER	DESCRIPTION	QTY
AS-40005	Inside Post	2
3/8-16x1SFB	3/8"-16 x 1" Flange Bolt	8
3/8-16SFN	3/8"-16 Whiz Lock Nut	8

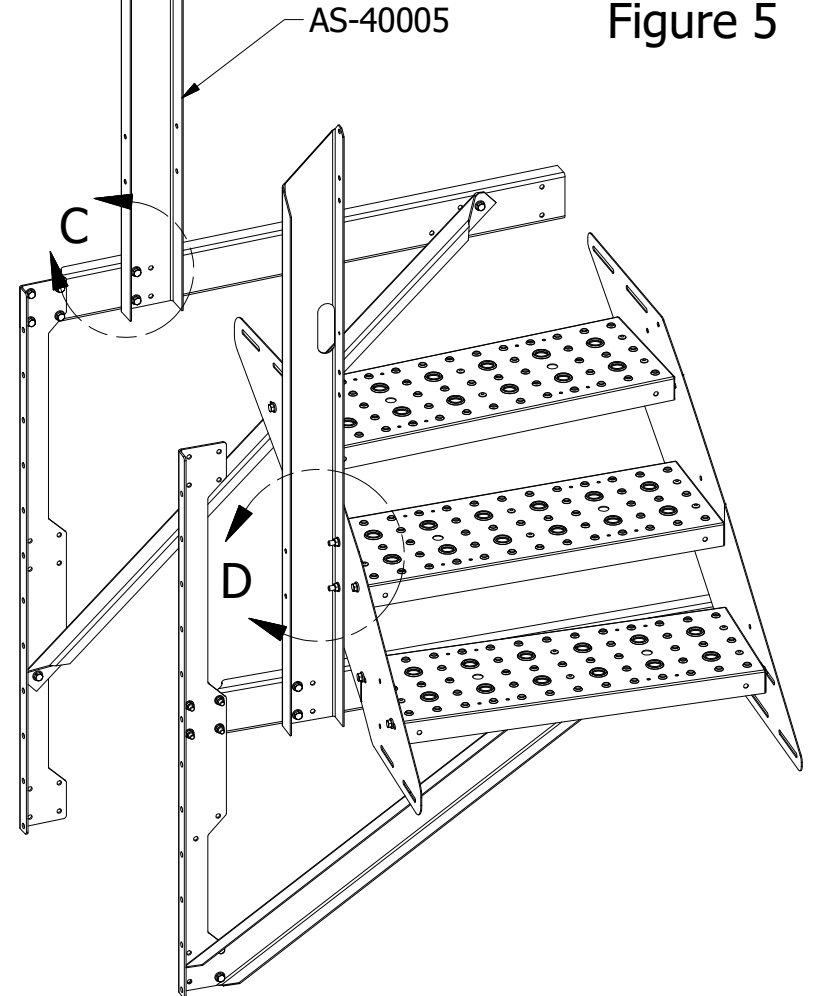
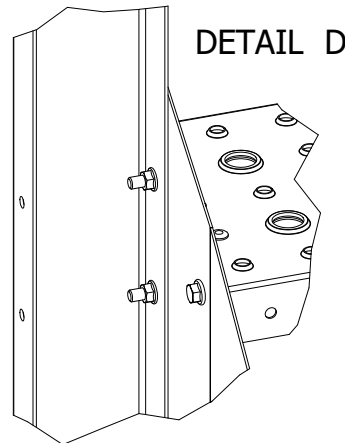
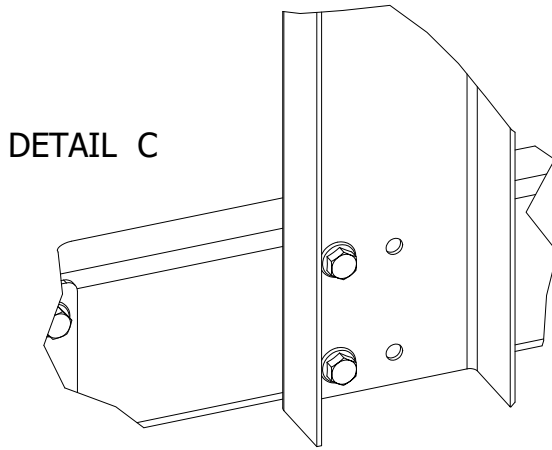


Figure 5

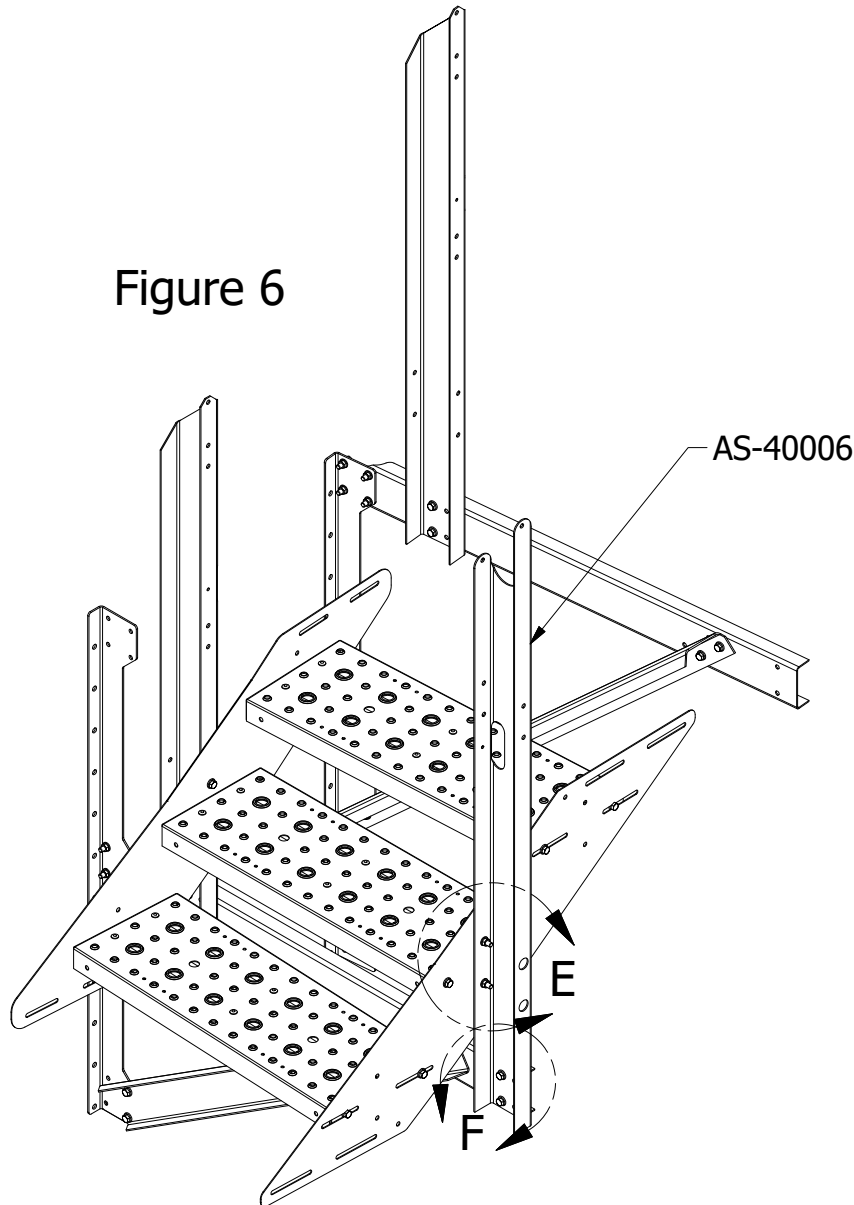
DRAWN Marcus Wilmsmeyer 4/3/2018	Greene Galvanized Stairs East Lynn, IL 217.375.4244 www.greenebinstairs.com	
CHECKED	TITLE 44" A-Series Sidewall Stairs Assembly Instructions	
QA	SIZE A	DWG NO AWT4400 Instructions
MFG	SCALE 1/15	REV
APPROVED	SHEET 7 OF 11	

# Step 5

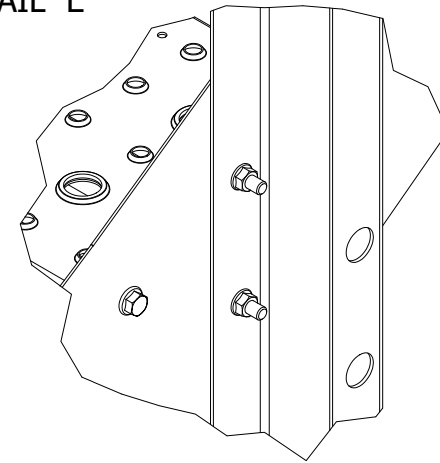
- A. Install the AS-40006 outside post to the first wall bracket, using two (2) 3/8" Flange Bolts and two (2) 3/8" Lock Nuts. Refer to Detail F.
- B. Attach the outside post to the first stair section, using two (2) 3/8" Flange Bolts and two (2) 3/8" Lock Nuts. Refer to Detail E.

PARTS USED IN STEP 5		
PART NUMBER	DESCRIPTION	QTY
3/8-16x1SFB	3/8"-16 x 1" Flange Bolt	4
3/8-16SFN	3/8"-16 Whiz Lock Nut	4
AS-40006	Outside Post	1

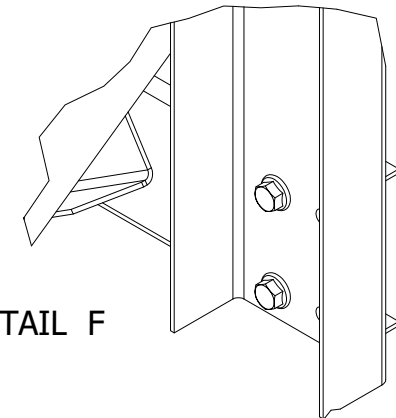
Figure 6



DETAIL E



DETAIL F



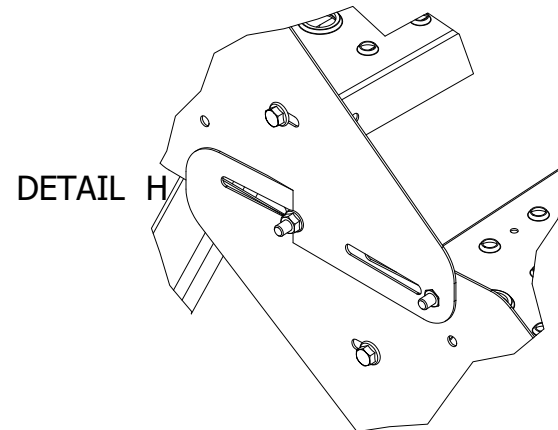
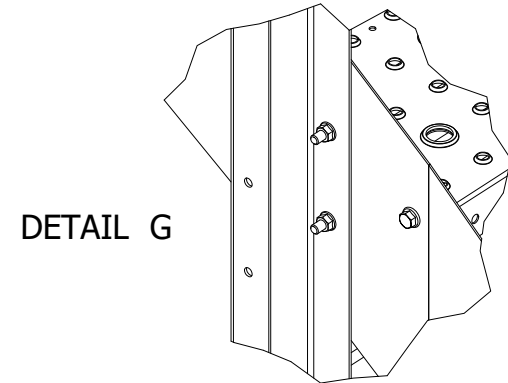
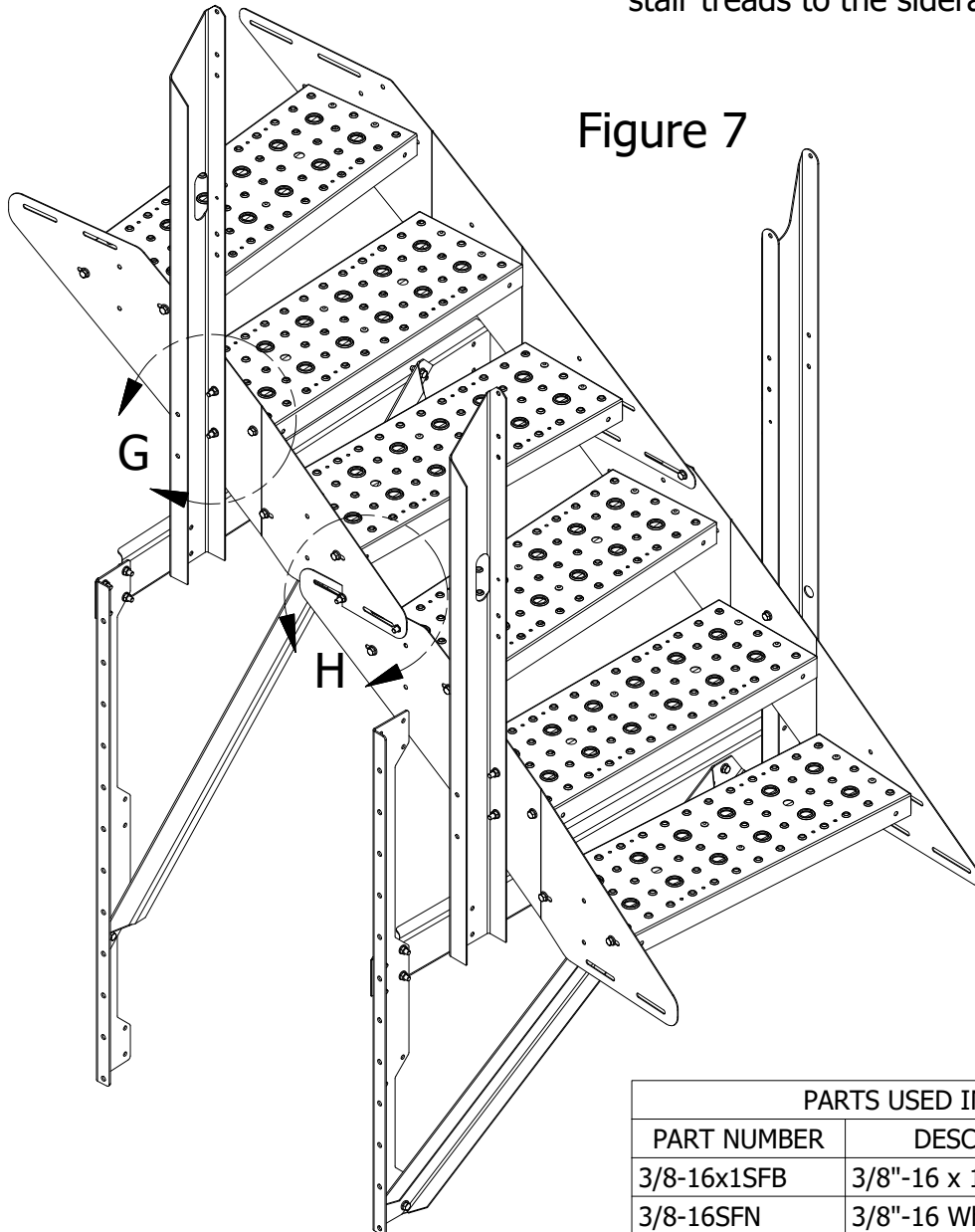
DRAWN Marcus Wilmsmeyer	4/3/2018	Greene Galvanized Stairs East Lynn, IL 217.375.4244 www.greenebinstairs.com	
CHECKED		TITLE	
QA		44" A-Series Sidewall Stairs Assembly Instructions	
MFG		SIZE	DWG NO
APPROVED		A	AWT4400 Instructions
		SCALE	REV
		1/15	8 OF 11



# Step 6

- A. Take the second set of three stairs and attach them to the inside post using two (2) 3/8" Flange Bolts and two (2) 3/8" Lock Nuts.
- B. Using four (4) 3/8" Flange Bolts and four (4) 3/8" Lock Nuts, secure the upper stair section to the lower stair section. The bolt heads should be facing out from the siderails.
- C. After all siderails are bolted together, tighten all nuts on the siderails together, as well as the stair treads to the siderails that were omitted in Step 3.

Figure 7



PARTS USED IN STEP 6		
PART NUMBER	DESCRIPTION	QTY
3/8-16x1SFB	3/8"-16 x 1" Flange Bolt	6
3/8-16SFN	3/8"-16 Whiz Lock Nut	6

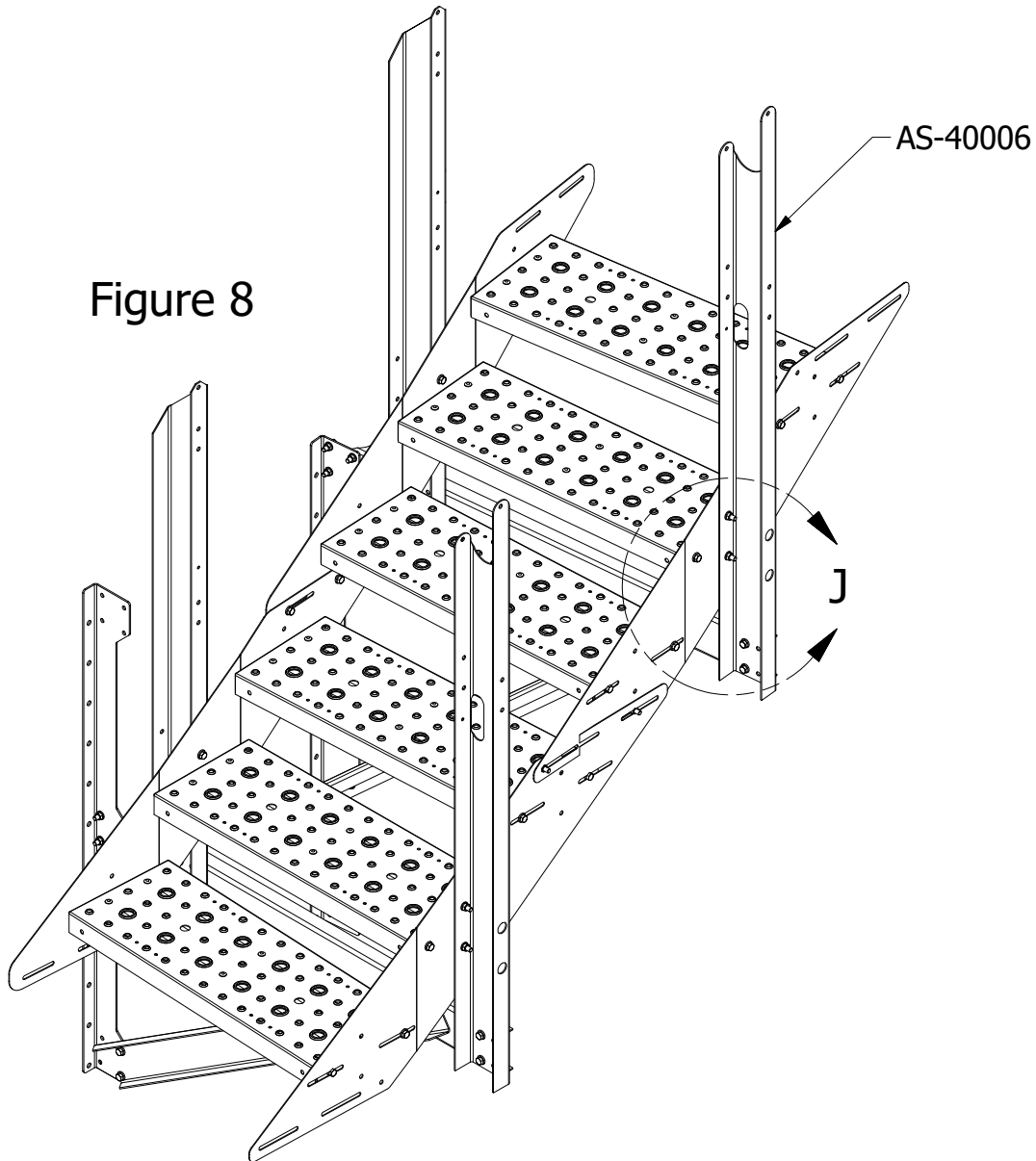
DRAWN Marcus Wilmsmeyer 4/3/2018	Greene Galvanized Stairs East Lynn, IL 217.375.4244 www.greenebinstairs.com	
CHECKED	TITLE 44" A-Series Sidewall Stairs Assembly Instructions	
QA	SIZE A	DWG NO AWT4400 Instructions
MFG	SCALE 1/15	REV
APPROVED	SHEET 9 OF 11	

# Step 7

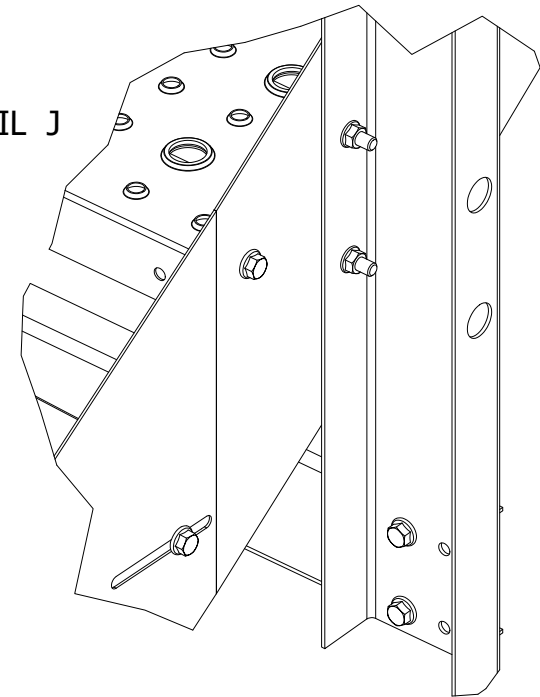
- A. Install outside post AS-40006 to the top stair section, and secure in place using four (4) 3/8" Flange Bolts and four (4) 3/8" Lock Nuts.

PARTS USED IN STEP 7		
PART NUMBER	DESCRIPTION	QTY
3/8-16x1SFB	3/8"-16 x 1" Flange Bolt	4
3/8-16SFN	3/8"-16 Whiz Lock Nut	4
AS-40006	Outside Post	1

Figure 8



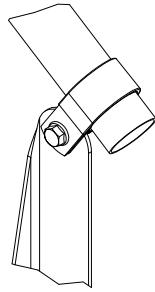
DETAIL J



DRAWN Marcus Wilmsmeyer 4/3/2018	Greene Galvanized Stairs East Lynn, IL 217.375.4244 www.greenebinstairs.com	
CHECKED	TITLE	
QA	44" A-Series Sidewall Stairs Assembly Instructions	
MFG	SIZE A	DWG NO AWT4400 Instructions
APPROVED	SCALE 1/15	REV
		SHEET 10 OF 11

# Step 8

DETAIL K



DETAIL L

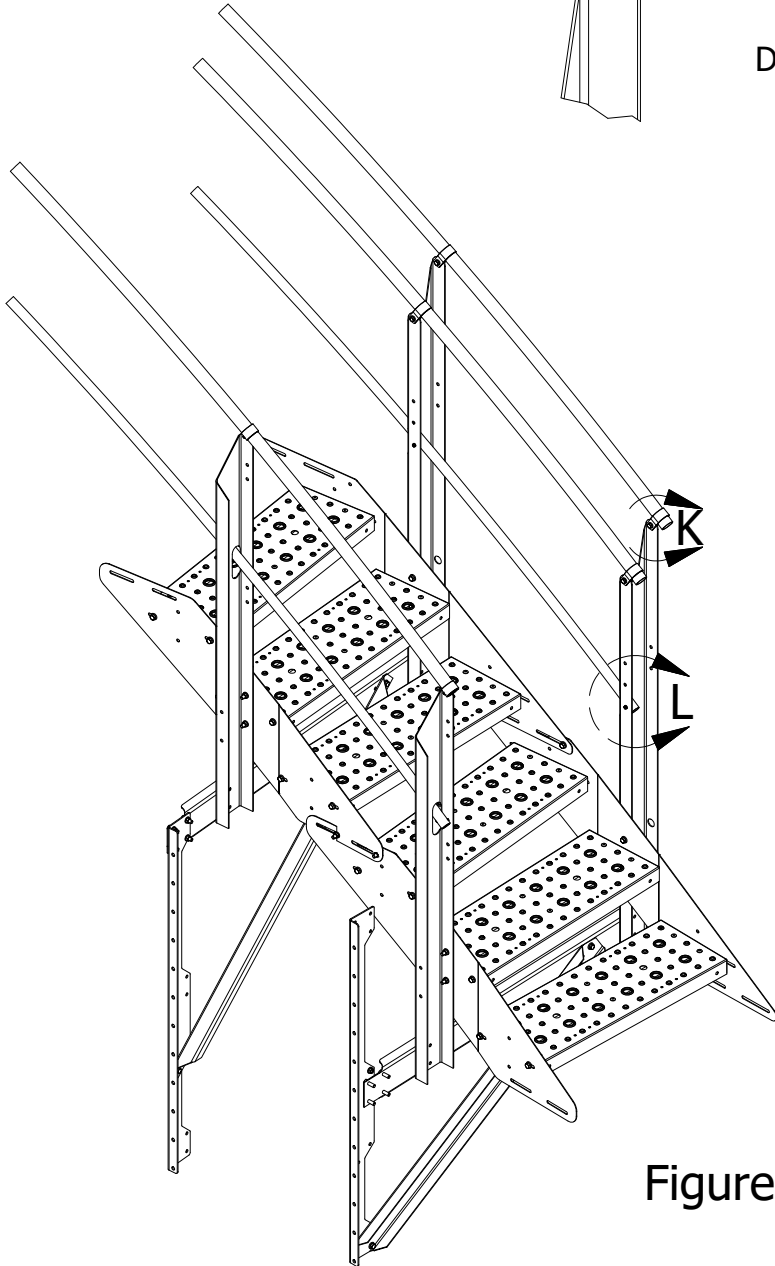
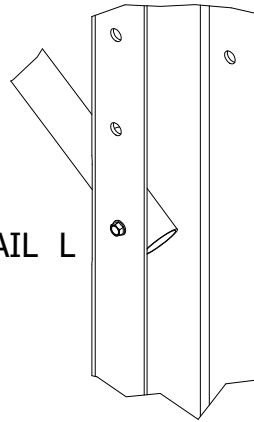


Figure 9

## PARTS USED IN STEP 8

PART NUMBER	DESCRIPTION	QTY
HRC1500	1.5" Handrail Clamp	6
5/16-18x3/4FB	5/16"-18 x 13/4" Flange Bolt	6
5/16-18SFN	5/16"-18 Whiz Lock Nut	6
TR1504810	1.5" Swaged Handrail/Guardrail	3
TR1004810	1.0" Swaged Intermediate Rail	2
Floor Screw	Self-tapping screw	10

- A. Using a Tube Roller Former, curve all rails to fit the diameter of the bin. The 1" handrails have small holes that should face towards the stairs when installed on the bin, which are screwed into when installing rails on other stair sections.
- B. The swaged ends on all rails should face up the stairs while the larger, unswaged end should point down the stair run.
- C. Using three (3) 1.5" handrail clamps, line up the 1.5" handrails with the bottom post, as shown in Detail K. Secure each handrail clamp to the post with a 5/16" Flange Bolt and 5/16" Lock Nut, and secure the handrail to the clamp with a self-tapping screw.
- D. Using the next three (3) 1.5" handrail clamps, fix the 1.5" handrails to the next post. Secure each handrail clamp to the post with a 5/16" Flange Bolt and 5/16" Lock Nut, and secure the handrail to the clamp with a self-tapping screw.
- E. Lining up the small hole on the 1" intermediate handrail, secure to the lower post using a self-tapping screw, as shown in Detail L. Then use a self-tapping screw to secure the intermediate 1" rail to the second post.

DRAWN Marcus Wilmsmeyer 4/3/2018	Greene Galvanized Stairs East Lynn, IL 217.375.4244 www.greenebinstairs.com	
CHECKED	TITLE	
QA	44" A-Series Sidewall Stairs Assembly Instructions	
MFG	SIZE A	DWG NO AWT4400 Instructions
APPROVED	SCALE 1/22	REV
		SHEET 11 OF 11