

September 2023

[www.nmra-scwd.org](http://www.nmra-scwd.org)

Volume 55 No. 1

## Super's Report

Art Dawson  
Division Superintendent

Hello fellow modelers,

Summer is coming to a close, and the 2023-24 season is upon us. I hope you all had an enjoyable summer and were able to work in some modeling or rail fanning as part of your summer activities and/or vacations. Personally, I couldn't get as much work done on my layout as I would have liked, but I did get to visit the large layout that is in the Washington State History Museum in Tacoma WA. This layout is 87 by 20 feet in HO and depicts the Northern Pacific route from its western terminus in Tacoma all the way up to Stampede Pass. It is very well modeled, uses Digitrax and has automation set up that allows the public to get trains started. They have about three or four that run in sequence. Much like many of our local layouts, it's very photogenic and quite an inspiration.

The team has many good clinics set up for the first part of the year, and we are still looking for someone to chair the Rail School in January. If you are interested in this position let me or another member of the board of directors know.

Currently, we have a layout to visit in September, but we are in need of more layouts to visit through the course of the rest of the year. Please let Phil Hottman know if you're interested in showing your layout.

I look forward to seeing you at the meet on September 10<sup>th</sup>.

Art Dawson, SCWD Superintendent  
Model railroading is fun!

### Next SCWD Meet

Verona Senior Center, Verona

September 10, 2023 at 1 PM

### Next Youth Group

Verona Senior Center, Verona

September 9, 2023 1 PM

### Next BOD Meeting:

September 12, 2023 at 7 PM

ZOOM Meeting



**For those members that participate in the listserv emails from Steve Lanphear, please remember to **send him your new email** if you change it! Changing your email with the NMRA does not change it on the listserv. His email is:**

Steve Lanphear  
SCWD listserv Coordinator  
[scwdmemberlist@mhtc.net](mailto:scwdmemberlist@mhtc.net)

## Clinic Column

By Ken Hojnacki

I hope you enjoyed your summer and are ready to dive back into the railroad room. Last season, Aaron Filter of Nobel Knights was unable to be with us but he will be here for our September meeting. To refresh your memory, we have all undoubtedly seen the fantastic work done by military modelers and war gamers. The detail and techniques they employ often go far beyond what we model railroaders produce. Phil Hottmann has mentioned Nobel Knights at some of our meetings and the Youth Group has held some meeting at their facility in Fitchburg. For our first clinic this month, Aaron Filter, HR Manager/Process Improvement Coordinator for Nobel Knights will introduce us to their vast array of product offerings, most of which are not common to the model railroad community. A former scale modeler and now American Flyer collector, Aaron is familiar with our hobby and will show us some of the techniques and products the military and fine scale modelers use to make their dioramas look so real and can help us with our own modeling.

I am dubbing this clinic season as The Year of the Operator. I will begin with a follow-up clinic to Aaron's comparison of model railroading and war gamers. Some of us do operate on area railroads; others just run trains in their basement. There is a lot to be said for "operations" but what does that mean and how and why does one approach operations and what does it involve to get started? Throughout this season, we will have presenters discussing their railroad operation—the why and how, nuts and bolts—to give you an idea of the varied way we can grow from running trains in circles to actually modeling what a real railroad does. This month, I will set out some things to think about in preparation for seeing how others interpret operations and how you might begin to set your railroad up for moving freight and passengers to serve your model communities.

Ken

## Layout Tours

Phil Hottmann

We'll be starting off the season with a layout tour we haven't seen before. Fortunately, we will be seeing Pat Harding's layout prior to being dismantled for a potential move. Recently there was a very nice article on a portion of his layout on Steve Lanphear's listserv. We will also be able to visit Jerry Lawler's layout once again. Jerry and Pat live in the same area.

I'm still piecing together the rest of the season. If you would like to get your layout on this season tour, I'm pretty sure I can fit you in. Just let me know.

Phil

## Youth Group

Steve Preston, Chair



We had a beautiful sunny day with a light breeze to start our day off, we did have a light attendance but we did have fun. To start with, they all got there before 10:00 am when they opened, {I just squeaked in at 10:00} everyone else was there before me, but I won't go into the details. Some of the families that were there had never been to the museum, and I told them that they were in for a real treat. Once inside, everyone kind of dispersed on their own. Chris Bradley and his sons and I kind of hung around together and went on some train rides. Chris and the boys wanted to go on the caboose train, were that's all they had to ride in. I found it a challenge to step up that high to get in it, but I did. We were lucky enough to be outside on the platform, there we got an outside view and ride, it was fun. When the ride was over, I went to another platform to wait for another ride, there I met a retired BNSF engineer who told me a ton of stories. Later that day, I met him on another ride, there for about an ½ hour he started to tell more stories on railroading. That's when I asked him if he would like to do a zoom presentation for our monthly meeting, he jumped at the idea, and said he would love to. So, we'll see coming up here in the future to see if we can get him to tell us what railroading was like first hand. Those of you who did not get chance to go, you missed out on a fun day.

Steve

## Modeling Project

Mike Vivion

Modeling Project Chair



This year's modeling project is still being planned, but I can announce that it will involve "trees" as the main ingredient. As many of you know who have visited Bill Clancy's layout, trees can be an integral part of a layout and contribute greatly to its overall appearance. I will announce the project in detail at our September meeting. In the meantime, if anyone has any ideas on this topic, I would like you to call or email me so we can discuss them. See you on September 10th.

Mike

## Contest Column

Dave Down, Chair

A new season of meetings is upon us, meaning a whole new season of model and photo contests. I encourage you all to consider entries even if you haven't brought any before. One of the purposes of our model and photography contests is to inspire and encourage each other. (I will remind you that "model" is in our name.) For our first meeting back in the fall the theme is Bridges and Culverts.

Sometimes it is hard to bring in models of the best we have of some models. This month's theme of bridges is one example. If the model you would like to share is on your layout (and we would be surprised if it wasn't) then this is an opportunity to take a picture and share it in the photo contest.

### September: Bridges

- Truss (deck or through)
- Girder (deck or through)
- Stone or Concrete
- Culverts

Since it is a "new modeling year", it might be a good idea to set a "new year resolution." It could mean a little more work for me, but don't let that stop you. A good resolution would be for everyone to submit at least one model and one photo in the next nine months. The full list of themes for the year will be posted on the website so you can plan ahead and is also listed in this Bad Order.

Here are the rules for contest entries (taken from the Red Book):

#### Popular Vote Model and Photo Contests

1. Popular vote contests shall be held at each regular membership meeting.
2. The class of models and photos to be entered in the Popular Vote Contests each month shall be determined by the Model and Photo Contest Chairs, respectively, with the approval of the BOD and published in advance in the Division newsletter, the Bad Order.
3. Categories shall be determined by the Contest Chairs and published in the Bad Order in advance.
4. Each member present at the meeting may vote for their favorite model and photo, as appropriate in each subclass. A first, second, and if necessary, a third award will be given to entries receiving the most votes in each subclass.

Dave

## 2023-2024 Contest Themes

SEP	Bridges and Culverts
OCT	Stations and Terminals
NOV	Trackside Industries
DEC	Moving Forest Products
JAN	No contest (Rail School)
FEB	Electric / Traction
MAR	Retired / Repurposed
APR	No contest (model project)
MAY	Cabooses

## SCWD 2023 Summer Picnic Review

The 2023 Summer Picnic was held on July 15<sup>th</sup> at Little Amerricka Amusement Park in Marshall. About 90 SCWD members and their guests attended. The weather was great and the steam engines turned out in-force. HyVee, Fitchburg, catered again and lived up to most of their promises this year. The caterers showed up when requested and had the food ready on time. Quantities were about right except too much pulled pork and way too many buns. But there was a lack of enough lemonade and water (my fault) and only one drink dispenser instead of two (HyVee's issue) to cover the lemonade and ice tea. And there were plenty of condiments this year!

The train and other rides were fun for those who stayed around after lunch. And, for the first time, there were Model Railroad Swap Tables set up near the ferris wheel. I did not know this was planned or I would have advertised it along with the Picnic information. Something to consider for future years as an added bonus to using Little America as our picnic site. Some SCWD members donated extra monies that covered the \$5.00 cost for each of the Youth Club members and more – thank you to those folks. We have already received a maximum grant of \$200.00 from the National Model Railroad Association in support of SCWD sponsoring this picnic to encourage Division and NMRA membership.

For those who attended, I hope you had a good lunch and a good time at the Park. For those who couldn't attend, there will always be next year!

John Haverberg, SCWD Summer Picnic Chairperson

# 2023 SCWD Annual Picnic Little Americka

*Photos by Art Dawson and John Haverberg*

**Thanks John Haverberg for once again  
planning a great picnic!**





## A Puzzle for You

You like trains, or train watching, but have you ever wanted to go to an OPS (Operating Session) and run trains on someone else's layout, but were afraid you wouldn't know what to do?



Model Railroad Operation is a fun and interesting role-playing game where the players (operators) use model trains to simulate the movements of the prototype railroad. Operators fill the roles of railroad employees like engineers, conductors, yardmasters, dispatchers, and more. Many of our SCWD members participate each month at multiple layouts to enjoy this fun and stimulating practice of critical thinking and problem solving in the context of railroad operations.

Now, there is a way for you to get your feet wet in this critical thinking and problem-solving railroad environment in the privacy of your own home through the use of railroad switching puzzles.

In July 2020, a group of SCWD members started a project to introduce more of our members to the enjoyment of railroad operations, or as our wives call it, playing trains. Some of us have been engaged in operating sessions for 20 years or more, and would like to get more of you involved.

The project involves getting one to solve a series of train switching puzzles (on paper, or your computer) in the least number of moves possible. You can then submit your solution to see if yours was done in the least number of moves.

**Beginners** can start with **3 introductory puzzles** to show the kinds of skills used in railroad switching operations. Then, you can advance to a series of more advanced puzzles written and based on actual SCWD member area layouts. Or, if you have already been to an OPS session, you could do an introductory puzzle, and jump right into the more challenging ones.

**Join the SCWD listserv now and begin learning what this is all about!**

Email Steve Lanphear at [scwdmemberlist@mhtc.net](mailto:scwdmemberlist@mhtc.net) to be added to the list and start receiving your puzzles now!

Happy Railroading!  
Steve



**Enjoy receiving interesting rail photos, model railroad tips, Operating puzzles, and challenging Mystery Photos??**

Join The 120+ SCWD members and members from other Midwest Regional Divisions who are participating in the SCWD listserv. You can expect 5 - 10 photos of railfan photos or model railroad photos or other items per week on average, as well as SCWD announcements, monthly Mystery Photo contests, Modelers Corner, and OPS Corner Puzzles. The listserv has been running this since April 2012, and it has been quite popular.

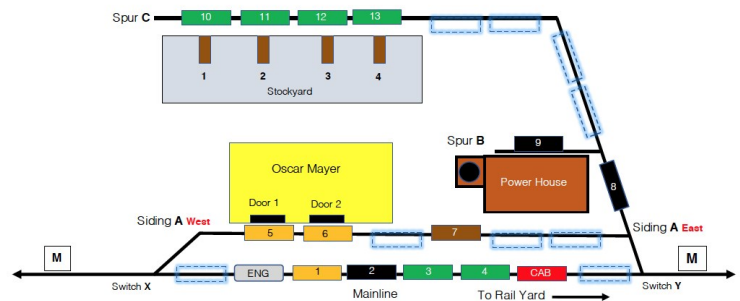
The listserv is a one-way email broadcast to you, not a social media type service. The emails are sent in bulk, but as a BCC: type email.

Please save this email so you know how to get a hold of me. So, if you would like to try out this FREE member service, just send me your **Name** and **email address**, and **City/State** to the address below. You may drop out at any time by sending an email stating such to the same address below.

Steve Lanphear  
SCWD listserv Coordinator  
[scwdmemberlist@mhtc.net](mailto:scwdmemberlist@mhtc.net)



## OPS Puzzles

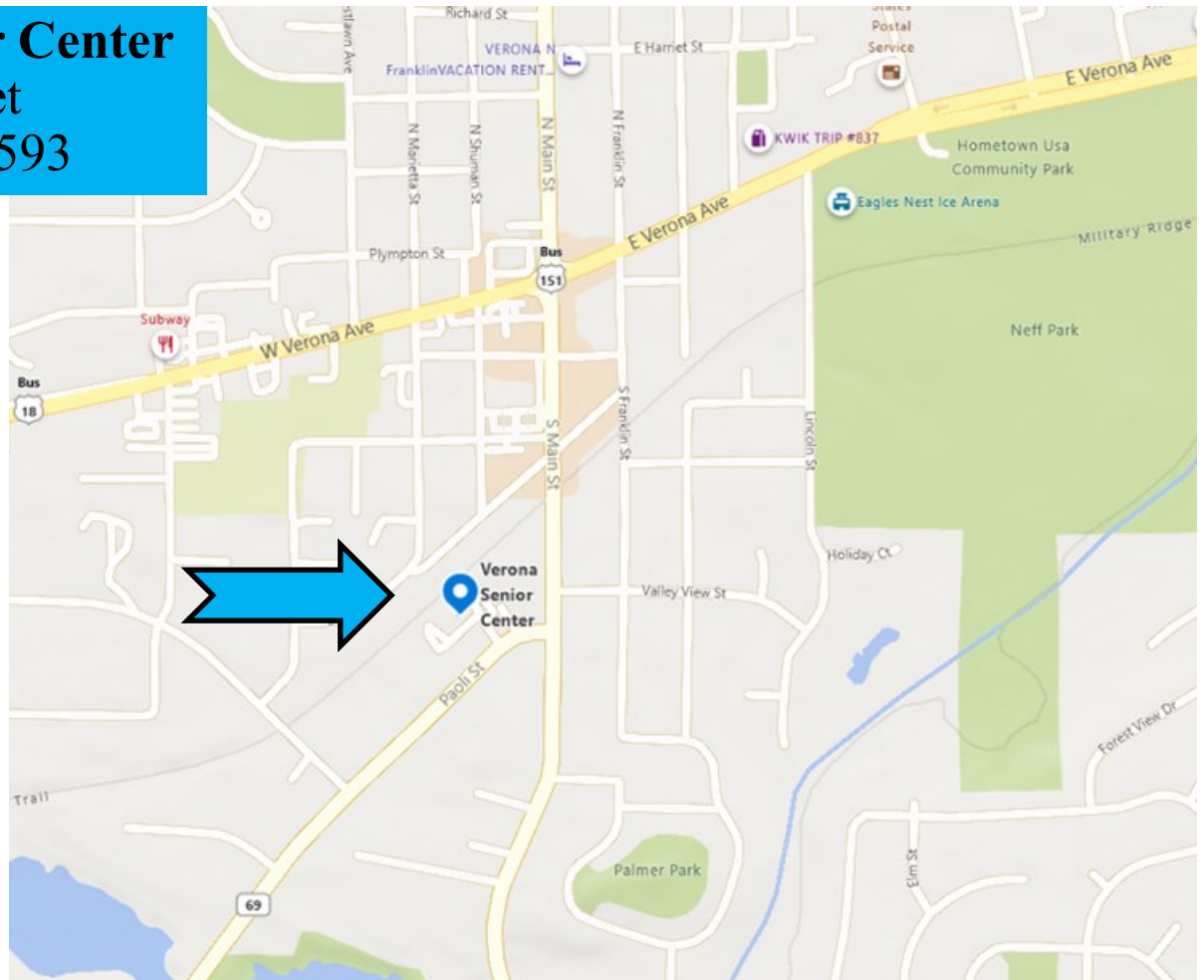


OPS Puzzles have arrived! We now have a section on the SCWD Website that has all 11 puzzles that we have published on the listserv, including the handouts and diagrams. You can start from the beginning, or pick and choose which puzzles you would like to try.

[www.nmra-scwd.org/ops-puzzles.html](http://www.nmra-scwd.org/ops-puzzles.html)

Steve Lanphear and the Puzzle Development Team.

**Verona Senior Center**  
108 Paoli Street  
Verona, WI 53593





**Minutes SCWD Board Meeting  
7:00 pm, 13 June 2023  
via Zoom meeting**



The meeting of the South Central Wisconsin Division Board of Directors was called to order at 6:35 pm by Superintendent Art Dawson. Art Dawson, Phil Hottmann, John Kosobucki, Dave Down, Dave Dingman, Steve Preston, and Bill Mitchell were present. Bob McGeever was unable to attend. **(Meeting start times may vary due to BOD members schedules.)**

**BOD Meetings:** *Members of the SCWD are invited to join a Board of Directors meeting. Meeting dates are published in the **Bad Order**. Send a request to Art Dawson or another member of the SCWD Board for a ZOOM link to the upcoming meeting. The members' contact information is in the **RED BOOK**.*

### **Minutes**

Motion by Hottmann, second by Preston, to approve the minutes of the SCWD Board Meeting held on May 9, 2023. Motion carried.

### **Paymaster Report**

The second rental payment for the February Madison Model Railroad Show and Sale to the Dane County Exposition is yet to be made. The contract for February 2024 is being reviewed. The SCWD 2023 - 2024 budget is being put together. Motion by Hottmann, second by Down, to approve the May Paymaster Report as submitted. Motion carried.

### **Committee Reports**

**Achievement Program** - Nothing to report.

**Advertising** - A motion was made by Kosobucki, second by Mitchell, to keep the advertising rates for the **Bad Order** newsletter the same as the previous year. Motion carried. Art Dawson will inform our Bad Order editor that the rates have not been changed for the SCWD 2023-2024 fiscal year.

**Bad Order** - Articles are due for the newsletter by June 16th.

**Special Note 1:** *The email list comes directly from the NMRA membership list, so please keep your membership active and your email current with the NMRA. All SCWD members are requested to inform the NMRA when their email address changes.*

**Special Note 2:** *Kathy, our newsletter editor, is always in need of articles. Please submit articles as soon as possible to have them included in the next publication of the **Bad Order** to SCWDKATHY@AOL.com via email with attachments in a **WORD** formatted document.*

**Clinics** - Scheduling clinics for the new year will begin in August. Members, please think about a clinic you would enjoy presenting.

**Contests - Model and Photography** - Dave Down will be publishing the list of contests in the Bad order for the 2023-2024 year.

**Modeling Project** - A list of potential projects is being compiled. More ideas for the 2023 - 2024 season are needed.

**Door Prizes** - Nothing to report. Gift Certificates will continue for the 2023 - 2024 season.

**Layout Tours** - A new Layout Tour Coordinator is needed. Phil Hottmann will be contacting members to open up their layouts for tours. More members are encouraged to open up their layouts for tours.

**Our SCWD organization is always looking for more people to host virtual or in-person layout tours. Please contact Phil Hottmann about the possibility of opening up your layout for a virtual or in-person tour. Phil's contact information is in the REDBOOK.**

**Membership** - Steve Preston - Membership registrations are up to date.

**The current SCWD membership list is sent to Steve Preston on a monthly basis. The email address of the SCWD members associated with the membership list is used for the Constant Contact electronic communications system. Each member is**



responsible for making sure that their email address is valid. If someone has problems renewing their NMRA-SCWD membership using the ON-LINE systems, please contact Steve Preston. His contact information is in the RED BOOK.

**Picnic** - The SCWD July Summer Picnic is scheduled for July 15, 2023, at **Little Amerricka Park** in Marshall on their "**Whiskey River Railway Day**". Beginning at 10:00 am, the Little Amerricka engine and locomotive shops will be open for a self-guided tour. Good shoes and eye protection are recommended for those people visiting the shops.

**Publicity** - Nothing to report.

**Rail School - January 7, 2024** - New Rail School Coordinator(s) still need to be found. Dr. Clancy is willing to provide information.

**Rail Show** - Conversations and planning will begin later this Summer.

**Youth Group** - Steve Preston - The Youth Group budget amount will be included in the SCWD Board 2023 - 2024 budget meeting.

*Youth Group Notes - Youth 18 years of age and under are welcome to join the SCWD Youth Group. A parent or designated adult is required to attend with the youth. The Youth Group Committee is looking for more members. Also, SCWD members are needed to present model railroading topics.*

**Website** - The website looks good.

### Old Business:

**Open Position on the Board of Directors** - The election of a new Superintendent has created an **OPEN POSITION** on the SCWD Board of Directors. Possible members need to be asked to serve. The Board of Directors will appoint the person for the open position.

### New Business:

A contract is needed with the Verona American Legion for the hall rental and caterer for the SCWD Spring Banquet May 3, 2024.

### Adjournment:

A motion was made by Kosobucki, second by Preston, to adjourn the meeting. Motion carried. The meeting was adjourned at 7:19 pm.

**Bill Mitchell** - Clerk

## **JUST ANNOUNCED IN THE FALL ISSUE OF THE WAYBILL!!!!**

**The Midwest Region 2024 Convention  
will be held at the  
Century Center, South Bend Indiana  
on May 2-4, 2024.**

**The Century Center is located at  
120 Dr. MLK Jr. Blvd. South Bend, IN  
46601.**

**The convention website is coming soon.**

## **FROM the NMRA Please Keep in Touch**



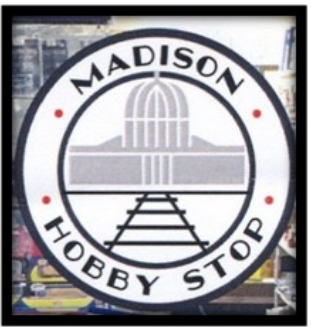
Please make sure the NMRA has your current contact information. You will not be able to access the full range of NMRA benefits unless we can reach you.

- Please visit [nmra.org/members](https://nmra.org/members)
- Use your email address and password to log in.
- If you have not yet registered, or forgot your password, there are buttons for that. Take a moment to easily correct any problems.
- Once logged in, click on Member Info (top right corner).
- Make sure your information is correct.
- If not, please go to:

[nmra.org/request-membership-info-changes](https://nmra.org/request-membership-info-changes)

to submit a request for changes to be made.

*Thank you!*



# **MADISON HOBBY STOP**

6622 Mineral Point Road, Madison, WI 53705

Ph: 608-829-3820 • Fax: 608-829-3852 • [www.madisonhobbystop.com](http://www.madisonhobbystop.com)

**Hours: Monday – Friday (10 am – 8 pm) and Saturday (10 am – 5 pm)**

Model Railroading • Plastic Model Kits • Rockets & Accessories • Pine Car •  
Paints • Tools & more!



***Fall is approaching fast!***

**For all your model railroading needs,  
chances are I have them in stock.**

**New/Old stock continues to come in and is finding  
new homes on different layouts. Good selection on Loco's, freight  
cars, passenger cars, vehicles, track and scenery at cheap prices!!**

**Stop in the first part of September and  
take advantage of my 19TH Anniversary Sale!!**

**Thank you for your continued support.**



**Preorders are 25% off regular price except  
Walthers Proto which is 20% off**

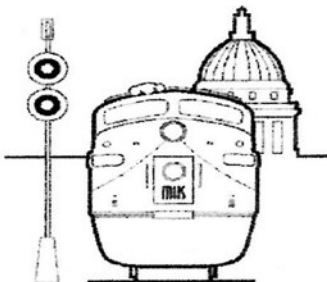
**New/old consignment coming in weekly, stop in for best selection**

**Remember, most model railroad items are 20% off**

**with a valid NMRA or other club id card**

*Excludes discounted or sale items, magazines, and consignments*

**Gift Certificates Available**



Madison Hobby Stop  
Chris Roosli, Proprietor

# The Hobby Depot

**Brian Stackpole, owner**



See us on the web at: [www.hobbydepotmonroe.com](http://www.hobbydepotmonroe.com)



**835-17th Street  
Monroe, Wisconsin 53566**

**Phone: 608-325-5107**

Call ahead to be sure we're open!

email: [hobbydpo@tds.net](mailto:hobbydpo@tds.net)

**TRAINS & MORE**

## South Central Wisconsin Division of the National Model Railroad Association

Publishes eleven issues yearly of the

### **BAD ORDER**

Official Mailing Address:

BAD ORDER

3940 Trempealeau Trail

Verona, WI 53593

Photos in the Bad Order, unless otherwise noted,  
are by Kathy Clancy

Deadline for submissions: **14th of the month  
prior to publication.** Email Bad  
Order Editor at [SCWDKATHY@AOL.com](mailto:SCWDKATHY@AOL.com)

Place your ad here!!!

Contact

Kathy Clancy

Bad Order Editor

[SCWDKathy@aol.com](mailto:SCWDKathy@aol.com)



**If you change your  
email address**

don't forget to notify  
the NMRA and  
Kathy Clancy  
Bad Order Editor

Thank you!

## PLEASE PATRONIZE OUR AREA HOBBY STORES

The Hobby Depot – 835 17<sup>th</sup> Street – Monroe WI  
Madison Hobby Stop – 6622 Mineral Point Rd (inside Clock Tower) – Madison WI \*

\* = Train Show Ticket advance sales

### SCWD 2023-2024 Meeting Schedule

Regular Meeting	BOD	Youth Group
September 10, 2023	September 12, 2023	September 9, 2023
October 1, 2023	October 10, 2023	October 14, 2023
November 5, 2023	November 14, 2023	November 11, 2023
December 3, 2023	December 12, 2023	December 9, 2023
January 7, 2024 <b>Rail School</b>	January 9, 2024	January 13, 2024
February 4, 2024	February 13, 2024	February 10, 2024
March 3, 2024	March 12, 2024	March 9, 2024
April 7, 2024	April 9, 2024	April 13, 2024
May 5, 2024	May 14, 2024	May 11, 2024
	June 11, 2024	
	August 13, 2024	

### A Word about Constant Contact e-mail

Each Constant Contact e-mail includes links to update or unsubscribe your e-mail address. **Please do not use these links.** If you unsubscribe using the Constant Contact link, your e-mail address will be removed from the NMRA membership database, from the Midwest Region e-mail database and probably from your Division's records. If you get an e-mail that you don't want, just hit the delete key. Furthermore, if you use the update link, your change may not be timely posted to the NMRA membership database.

**If you need to change your email address with the NMRA please follow these directions:**

The direct way is to log on to the "Members" page of the NMRA website, choose the "View your NMRA membership" box on the right side of the screen, scroll down to the bottom of the page and select "Update". Enter the new email address in the appropriate box and click "Submit".