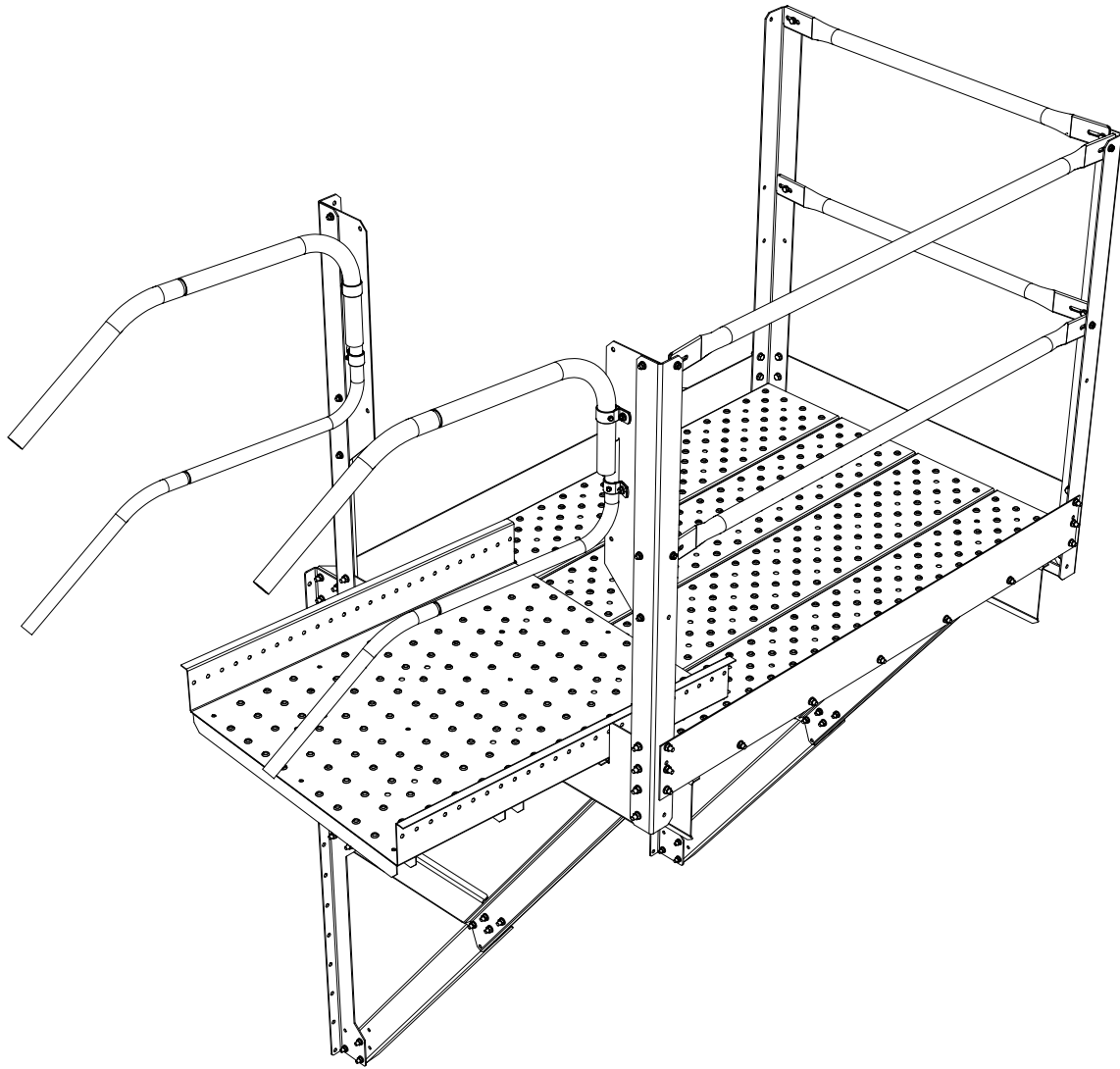


A-Series Sidewall Stairs

AWT8544 Eave Platform Assembly Instructions



AWT8544 Eave Platform Assembly Instructions

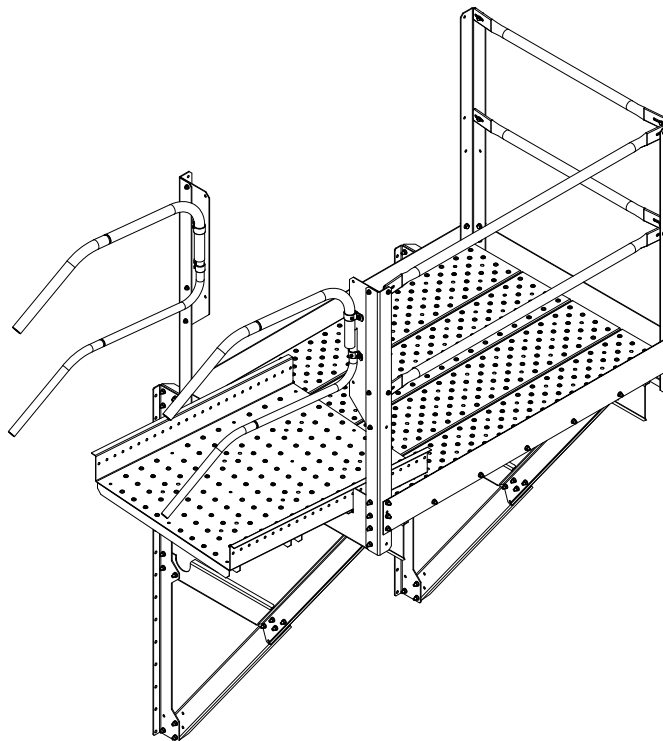
Covered in This Instruction Manual:

- Parts List and Identification
- Hardware List
- Bolt Spacing on 44" Bin Sheets
- Wall Bracket Bolt Spacing and Mounting Location
- Platform Wall Bracket Comparison
- Eave Platform Wall Bracket
- Attaching the Deck Planks to the Wall Brackets
- Assembling the Deck Planks and Side Kickboards
- Attaching the Posts
- Attaching the End Kickboard
- Attaching the Entry Kickboard
- Installing the Handrails
- Attaching the Platform Handrail Brackets
- Handrail Clamp Installation
- Attaching the Handrail Loops to the Entry
- Assembling the Landing Tread

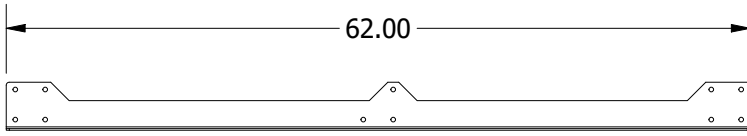
Parts List - AWT8544 Eave Platform

AWT8544, Eave Platform Parts List		
ITEM	DESCRIPTION	QTY
ART-2226	Bottom End Rail	2
AS-40004	Bracket, Tie Brace	1
AS-40009	1.5 Railing, Rest Landing Swivel Elbow	3
AS-40010	1.0 Railing, Rest Landing Swivel Elbow	2
AS-40011	1.5 Railing, End 90 deg	3
AS-40012	1.0 Railing, End 90 deg	2
AS-40013	Bracket, Wall, Platform, 44" Ring	2
AS-40014	Channel, Crossbar, Platform	2
AS-40015	Bracket, Tie Brace, Platform	2
AS-40016	Channel, Kneebrace, Platform	4
AS-40017	Plank, Tread, 10 x 60 x 14ga	4
AS-40018	Angle, Post	4
AS-40019	Plate, Kickboard, End	1
AS-40020	Plate, Kickboard, Entry	1
AS-40021	Plate, Kickboard, Side	2
AS-40030	Tread, Landing Skin	1
AS-40031	Bracket, Handrail, Platform	2
AS-40036	Channel, Landing Support	4
TRS1504000	40 in 1.50 Tubing Smashed Both Ends	2
TRS1505900	59 in 1.50 Tubing Smashed Both Ends	4

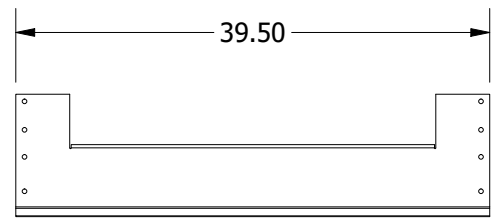
See the Following Pages for Parts Identification and Diagrams



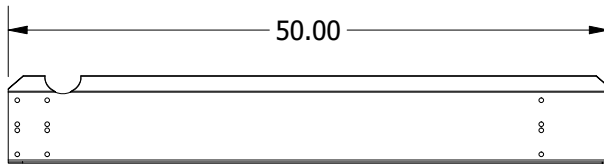
Parts Identification



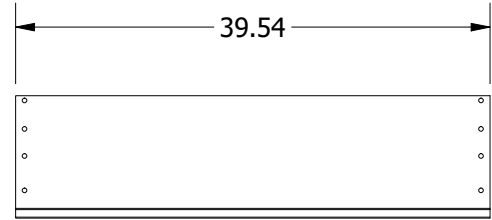
AS-40013



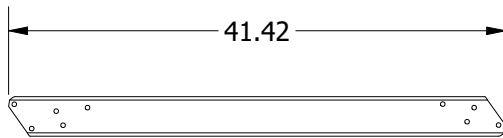
AS-40020



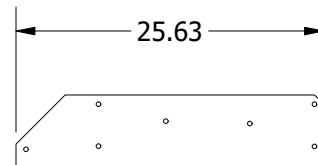
AS-40014



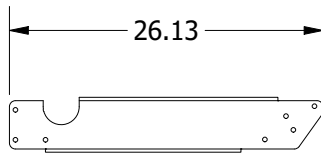
AS-40019



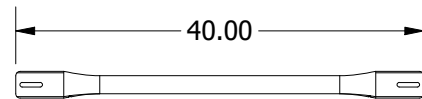
AS-40016



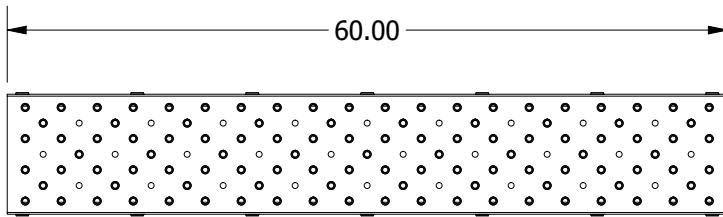
AS-40031



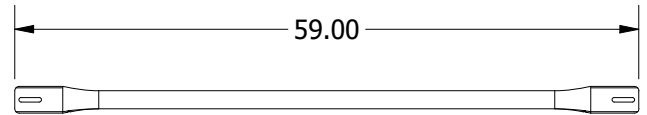
AS-40015



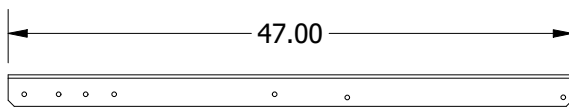
TRS1504000



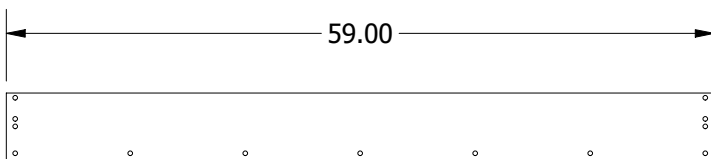
AS-40017



TRS1505900

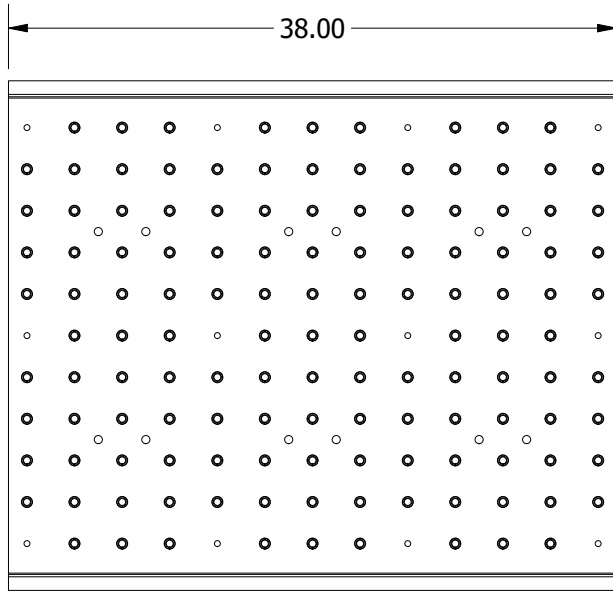


AS-40018

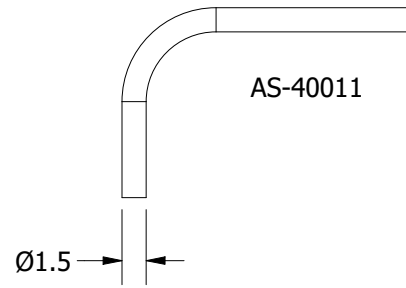


AS-40021

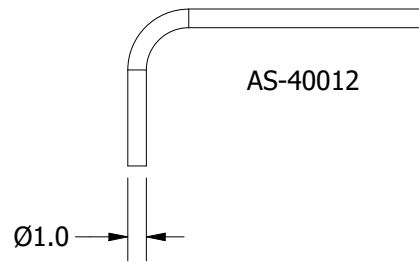
Parts Identification Continued



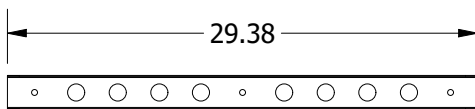
AS-40030



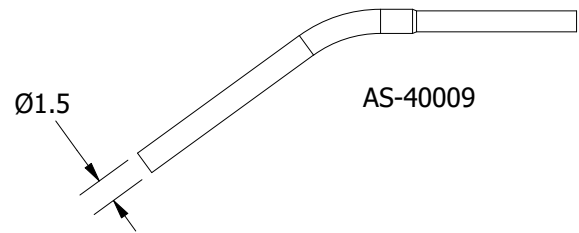
AS-40011



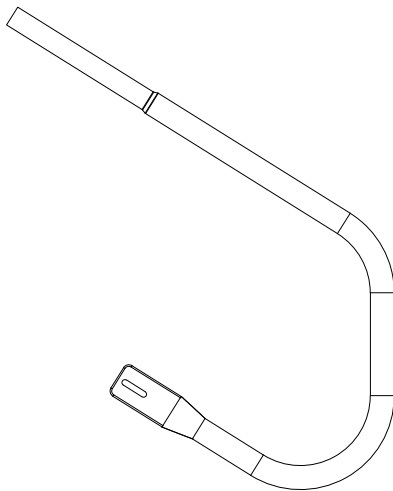
AS-40012



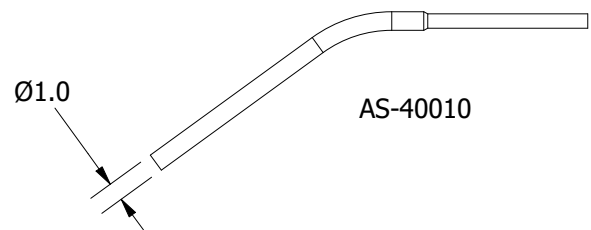
AS-40036



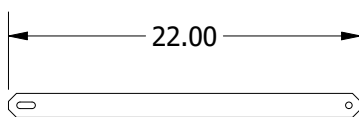
AS-40009



ART-2226

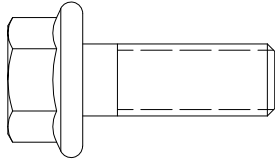


AS-40010

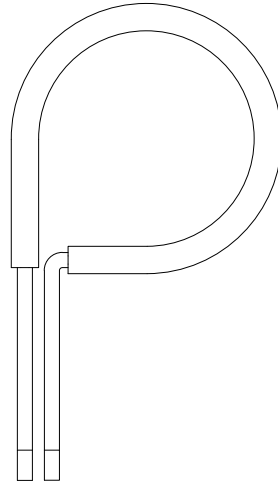


AS-40004

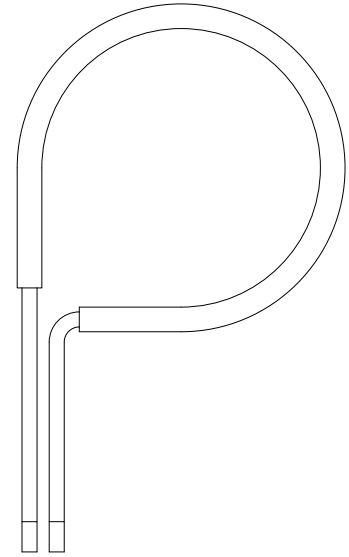
Hardware



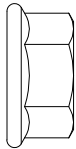
3/8"-16 x 1" Flange Bolt



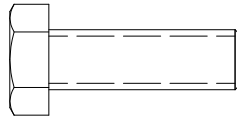
Handrail Clamp for 1.0 in



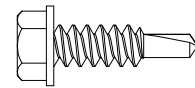
Handrail Clamp for 1.5 in



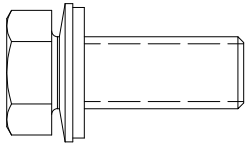
3/8"-16 Whiz Lock Nut



5/16"-18 x 1" Hex Head Cap Screw



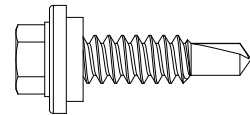
#12-14 x 3/4" Screw



3/8"-16 x 1" Bin Bolt



5/16"-18 Whiz Lock Nut

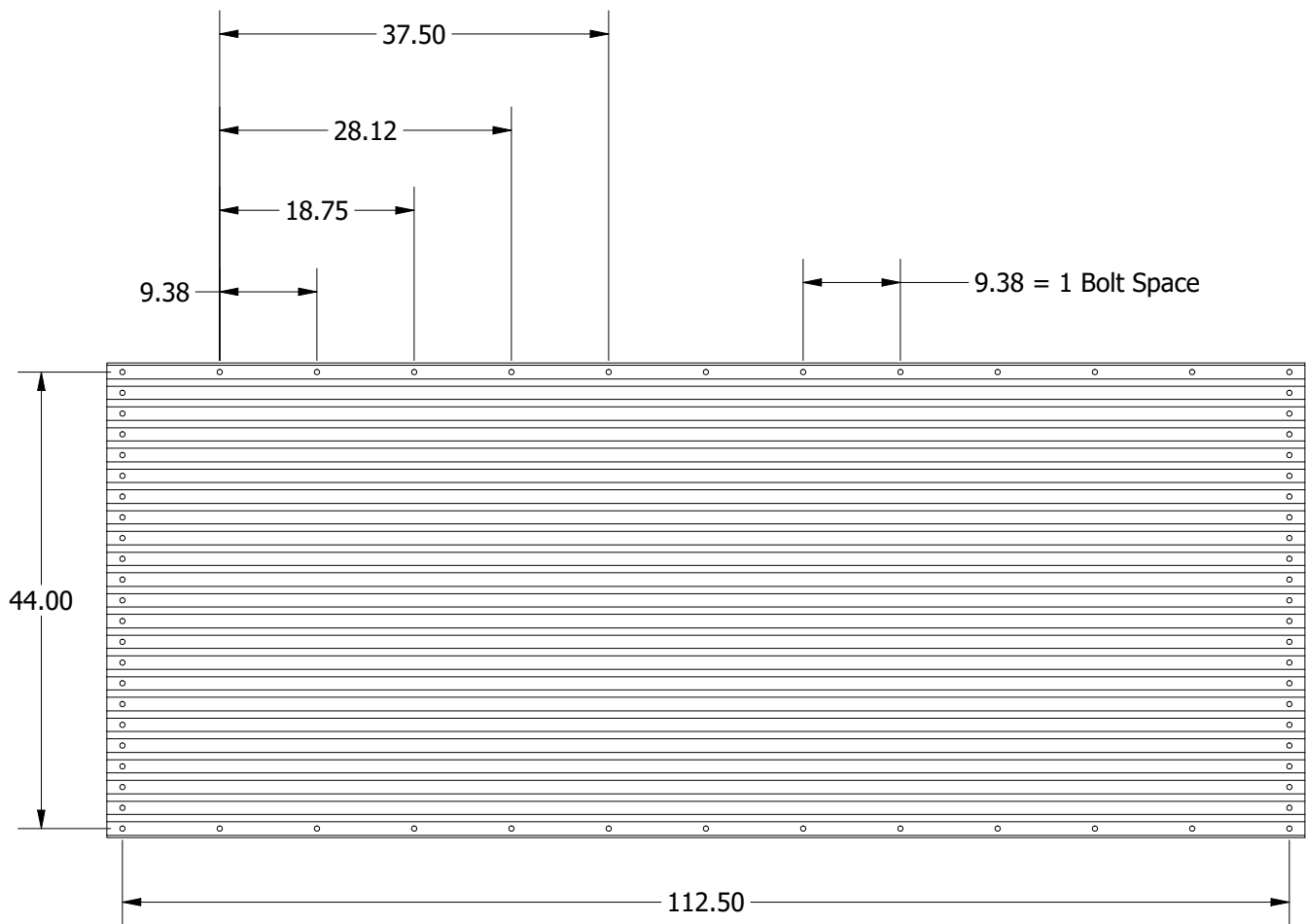


1/4"-14 x 7/8" Screw Sealer

Hardware List		
ITEM	DESCRIPTION	QTY
3/8 x 1 Bin Bolt	3/8"-16 x 1" Bin Bolt	16
3/8-16SFN	3/8"-16 Whiz Lock Nut	166
3/8-16x1SFB	3/8"-16 x 1" Flange Bolt	150
5/16-18SFN	5/16"-18 Whiz Lock Nut	12
5/16x1 HCS	5/16"-18 x 1" Hex Head Cap Screw	12
FloorScrews	#12-14 x 3/4" Screw	20
HandScrews	1/4"-14 x 7/8" Screw Sealer	4
HRC1000	Handrail Clamp for 1 in	4
HRC1500	Handrail Clamp for 1.5 in	6

44" Standard Bin Sheet Bolt Spacing

- The term "bolt space", as commonly used in the Greene instruction manuals, is the center to center distance between two bolt holes.
- The horizontal bolt spacing on a standard 44" wide bin sheet is $9 \frac{3}{8}$ ".
- The actual chord length of the space will vary slightly from $9 \frac{3}{8}$ ", depending on the bin diameter.



Bin Sheet Dimensions

Platform Wall Bracket Horizontal Bolt Spacing

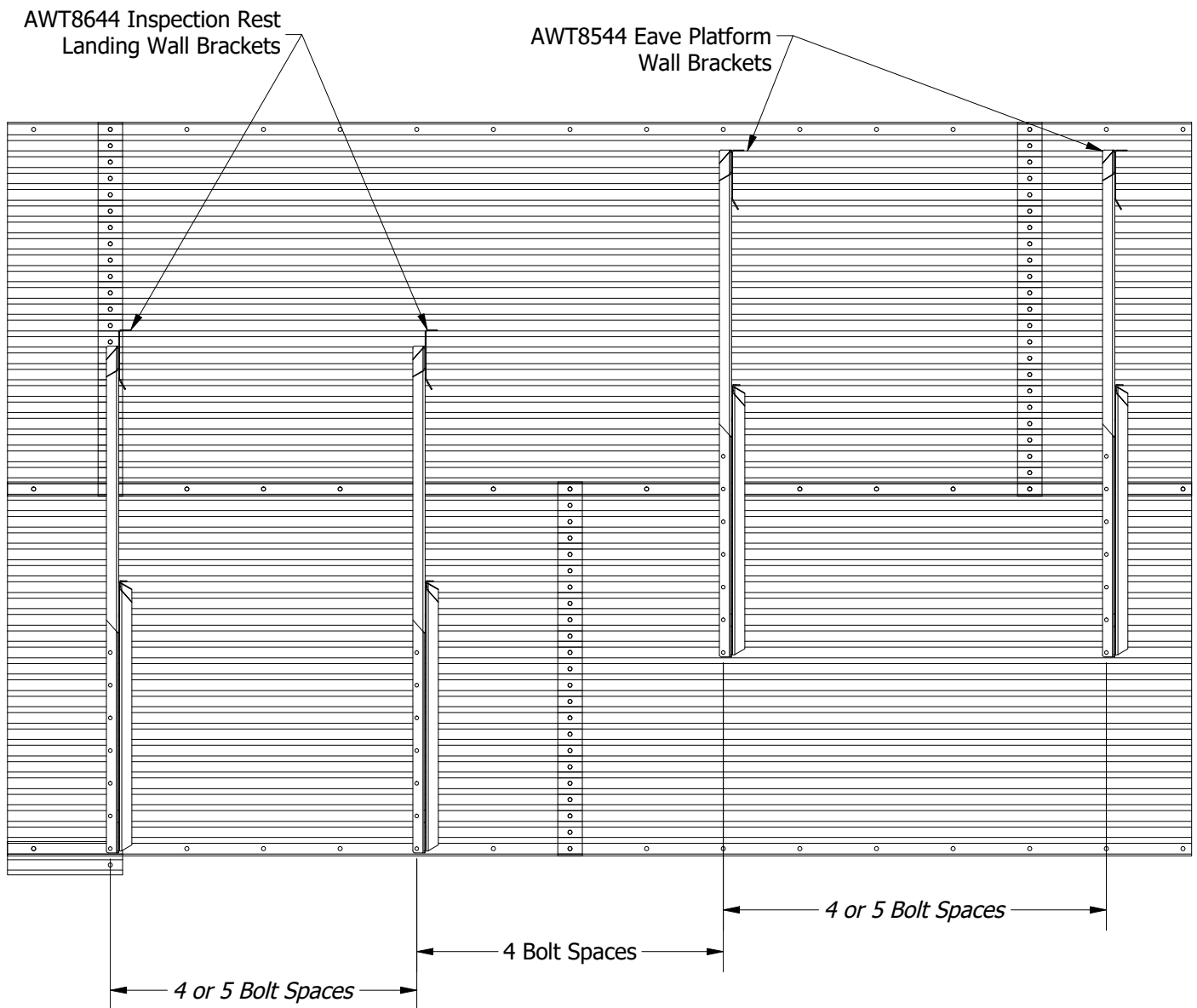
The horizontal spacing for both the eave platform and inspection rest landing is typically:

4 bolt spaces (37-1/2") for bins 48' diameter and smaller; or

5 bolts spaces (46-7/8") for bins larger than 48' diameter.

There is flexibility to use either spacing in order to avoid obstructions if necessary.

The horizontal spacing between the upper and lower sets of wall brackets is always 4 bolt spaces (37-1/2").

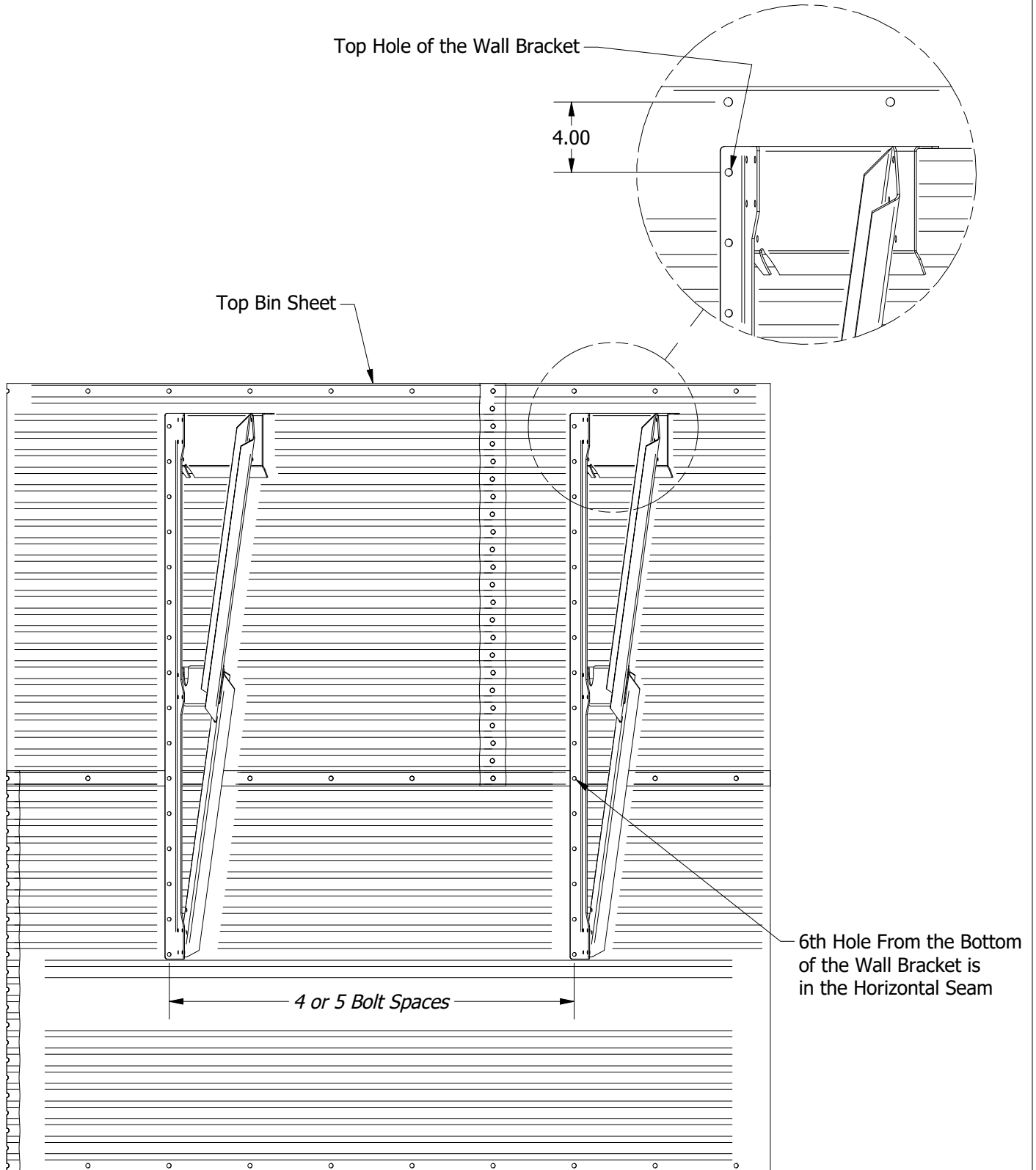


AWT8544 Eave Platform Wall Brackets (High Platform)

The horizontal spacing for the wall brackets may be 4 or 5 bolt spaces.

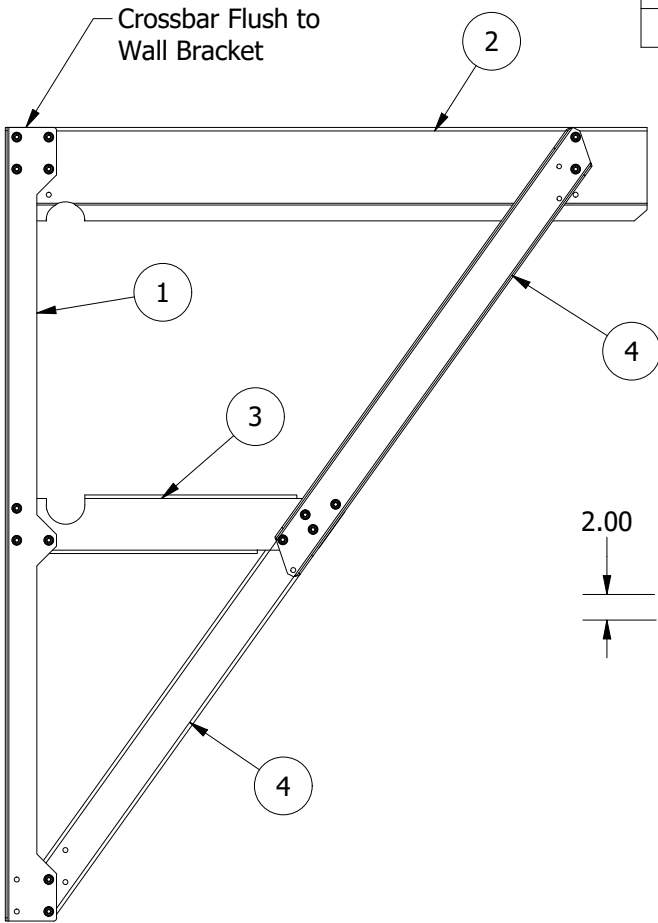
For the vertical placement, the top hole of the wall bracket is 1 corrugation (4.00") down from the top hole of the top bin sheet.

Each platform wall bracket requires (8) bolts to be attached to the bin wall, field drilled when necessary.

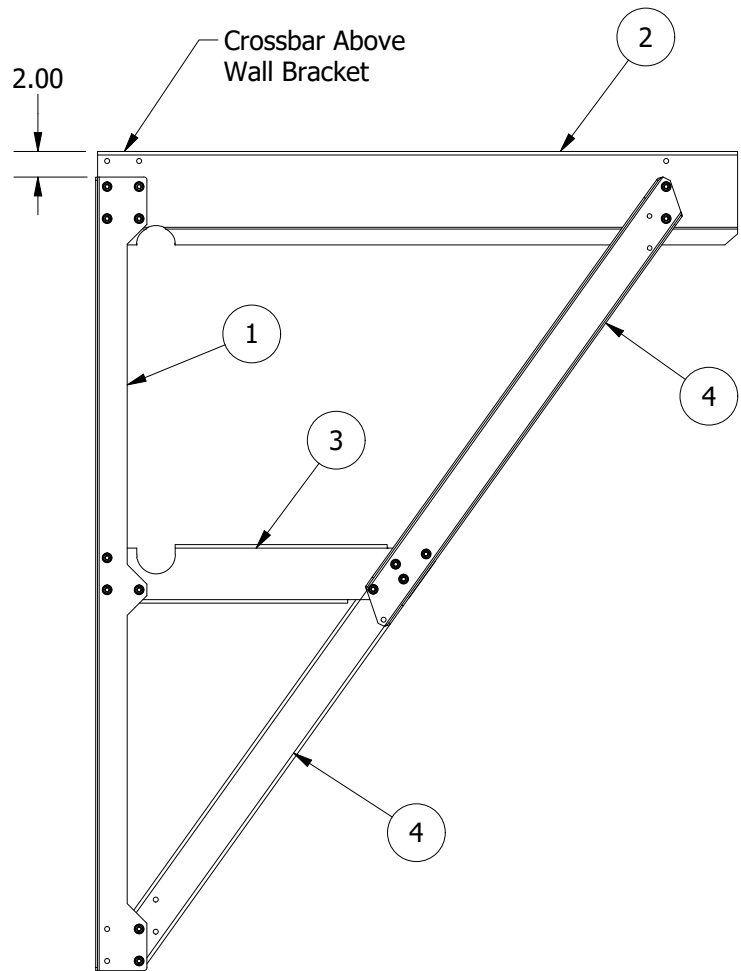


Platform Bracket Configurations

Bracket for AWT8544 Eave Platform (High Platform)

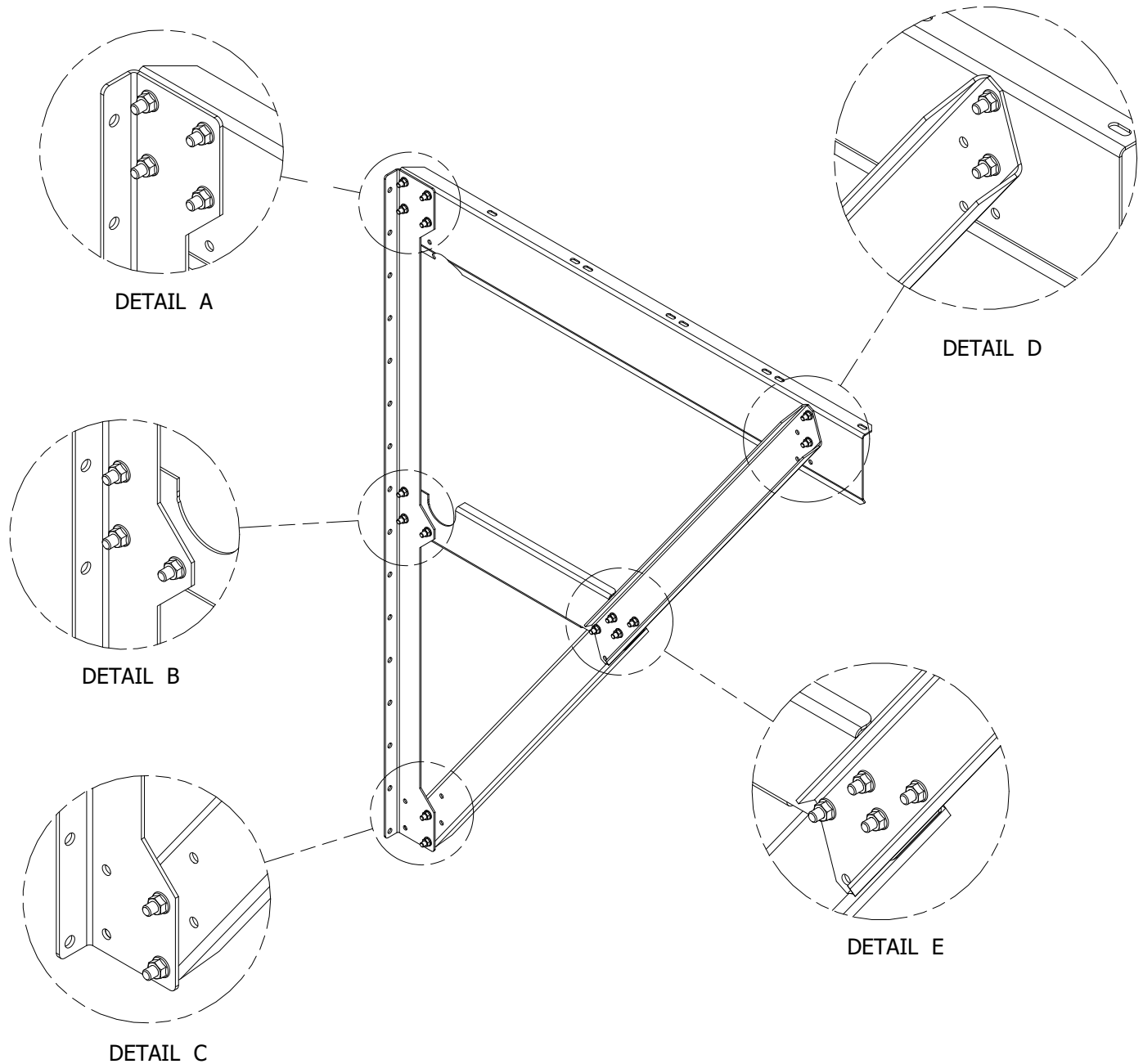


PARTS LIST		
ITEM	PART NUMBER	DESCRIPTION
1	AS-40013	Bracket, Wall, Platform 44" ring
2	AS-40014	Channel, Crossbar, Platform
3	AS-40015	Bracket, Tiebrace, Platform
4	AS-40016	Channel, Kneebrace, Platform



Bracket for AWT8644 Inspection Rest Landing (Low Platform)

AWT8544 Eave Platform Wall Bracket



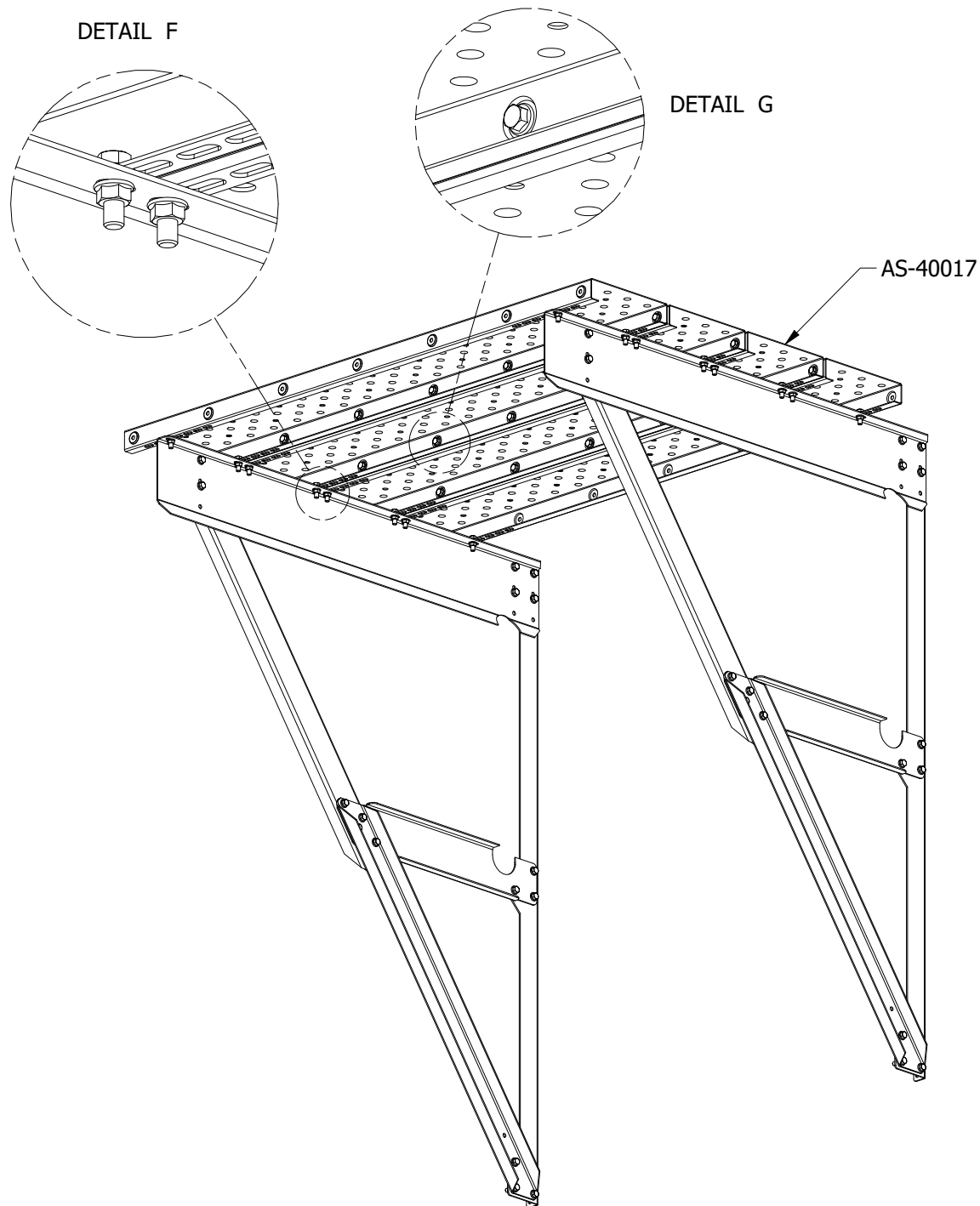
- A. Attach the cross bar AS-40014 to the wall bracket AS-40013. Secure using (4) 3/8" Flange Bolts and Nuts. See Detail A.
- B. Attach the tie brace AS-40015 to the wall bracket AS-40013. Secure using (4) 3/8" Flange Bolts and Nuts. See Detail B.
- C. Attach the lower knee brace AS-40016 to the wall bracket. Secure using (2) 3/8" Flange Bolts and Nuts. The flanges on the AS-40016 will be to the right, when facing the bracket. See Detail C.
- D. Attach the upper knee brace AS-40016 to the cross bar. The flanges on the AS-40016 will be facing to the left. Secure using (2) 3/8" Flange Bolts and Nuts. See Detail D.
- E. Attach the upper and lower knee braces to the tie brace. The knee braces should face back to back, with the tie brace in between them. Secure using (4) 3/8" Flange Bolts and Nuts. See Detail E.

Attaching the Deck to the Wall Brackets

Note:

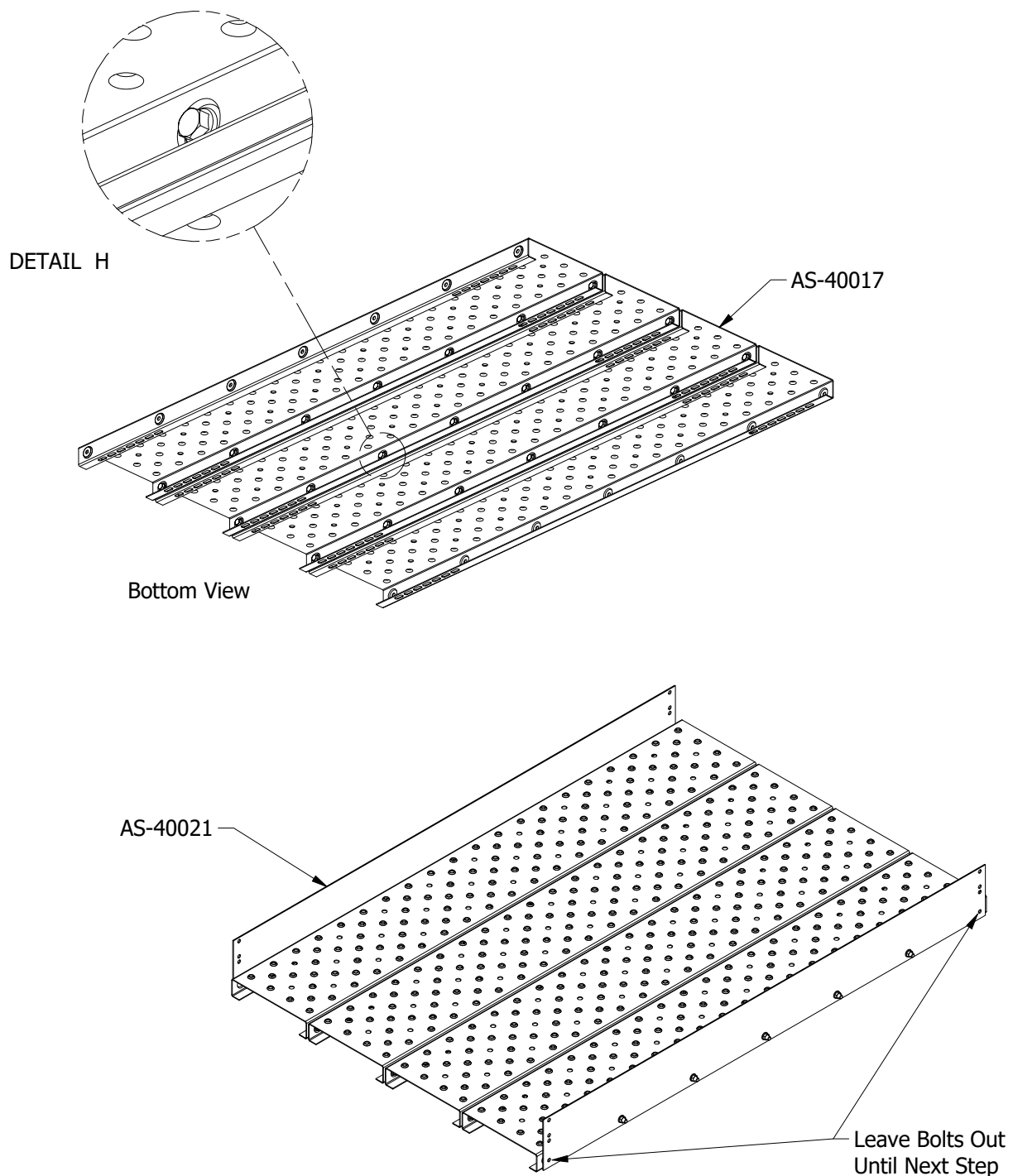
The platform can be built on top of the wall brackets already attached to the bin wall, or can be built on the ground and set into place on the wall brackets.

- A. Center and place the (4) AS-40017 deck planks on top of the wall brackets assembled in the previous step.
- B. Secure in place using (16) 3/8" Flange Bolts and Nuts. See Detail F.
- C. Using (21) 3/8" Flange Bolts and Nuts, secure the (4) deck planks together. See Detail G.



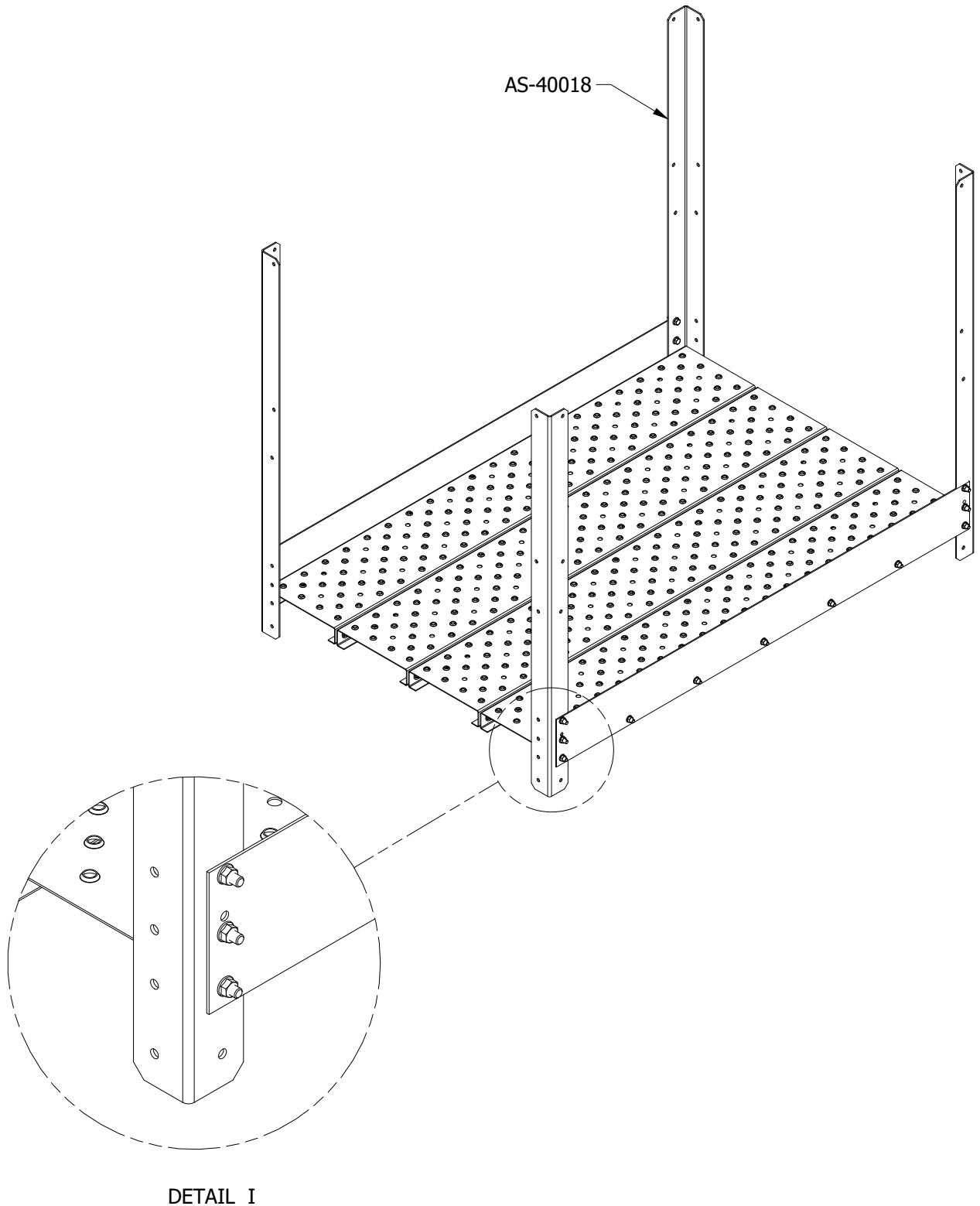
Assembling the Deck and Side Kickboards

- A. Center and place the (4) AS-40017 deck planks on top of the wall brackets or a flat surface.
- B. Using (21) 3/8" Flange Bolts and Nuts, secure the (4) deck planks together. See Detail H.
- C. Attach the (2) side kickboards AS-40021 to the outside planks, using (10) 3/8" Flange Bolts and Nuts. Note: Leave the outside bolts out; these will be added in the next step to attach the posts.



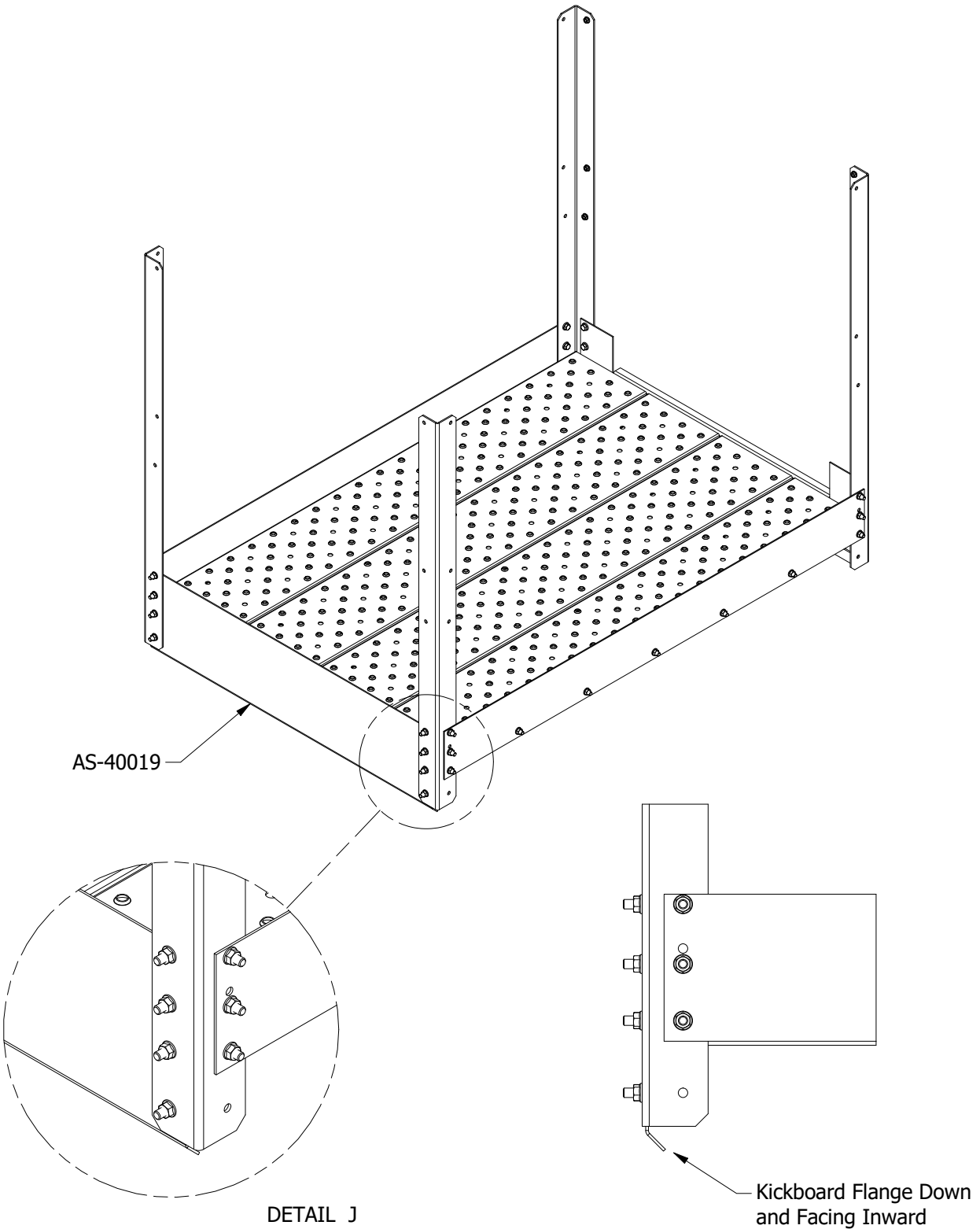
Attaching the Platform Posts

- A. Attach the (4) angle posts AS-40018 to the side kickboards. The kickboards should be on the outside of the posts. The 2nd hole from the bottom of the post lines up with the kickboard and deck plank.
- B. Secure in place using (12) 3/8" Flange Bolts and Nuts.



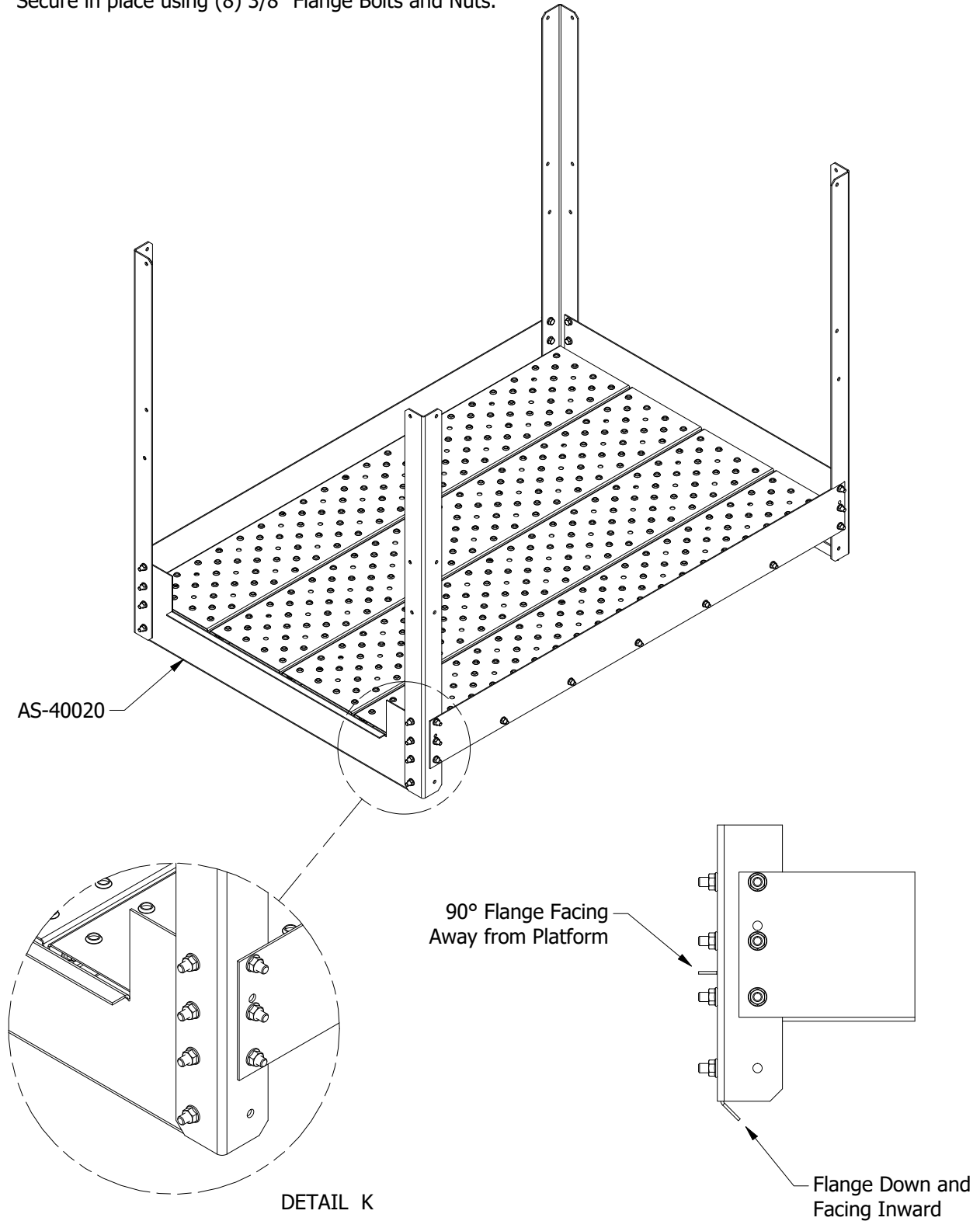
Attaching the End Kickboard

- A. Attach the end kickboard AS-40019 to the inside of the corner posts. The flange on the kickboard should be at the bottom and should face towards the inside of the platform.
- B. Secure in place using (8) 3/8" Flange Bolts and Nuts.



Attaching the Entry Kickboard

- A. Attach the entry kickboard AS-40020 to the corner posts. The kickboard should be inside of the corner posts. The cutout opening faces up, and the 90° flange faces away from the platform. The bottom flange faces towards the inside of the platform.
- B. Secure in place using (8) 3/8" Flange Bolts and Nuts.



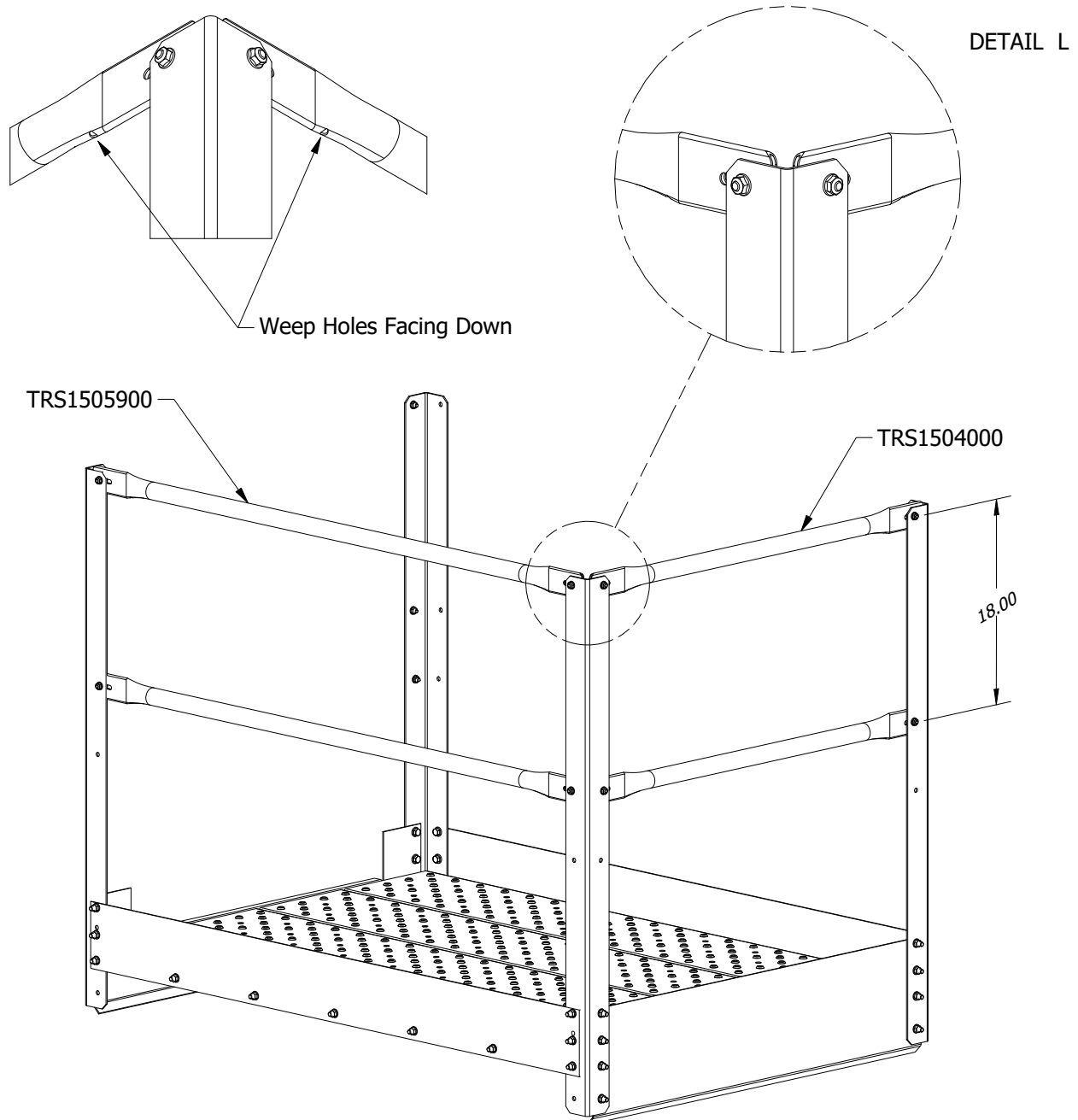
Installing the Handrails

Note:

The handrails should be installed from the inside of the posts, with the bolt heads inside and the nuts outside of the platform.

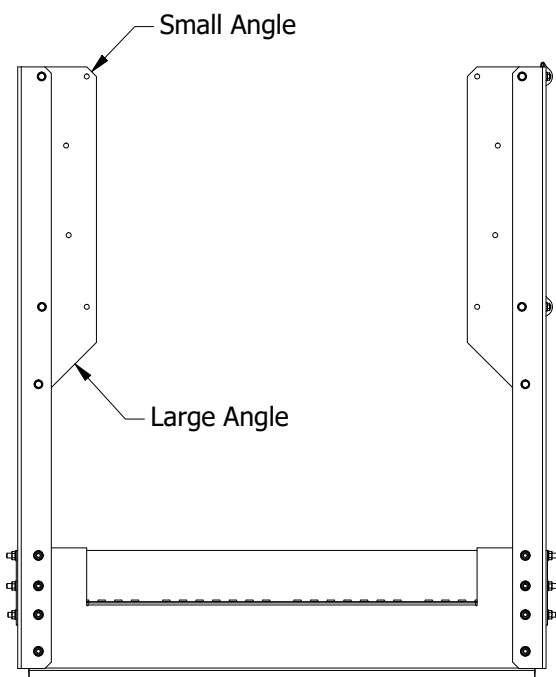
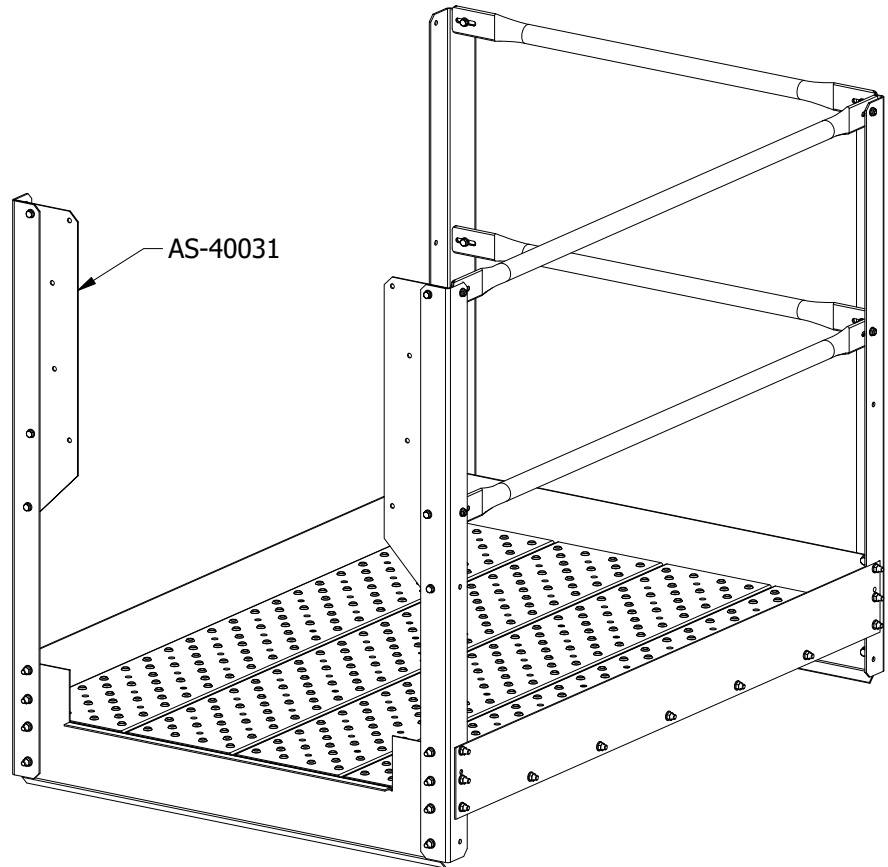
The handrails should be installed with the weep holes facing down to allow any moisture to drain.

- A. Place the short handrails TRS1504000 and the long handrails TR1505900 on from the inside of the posts, with the weep holes facing down.
- B. The top handrail installs in the top hole, the intermediate rail installs in the 2nd hole down, 18" from the top hole.
- C. Secure each handrail in place with (2) 3/8" Flange Bolts and Nuts.



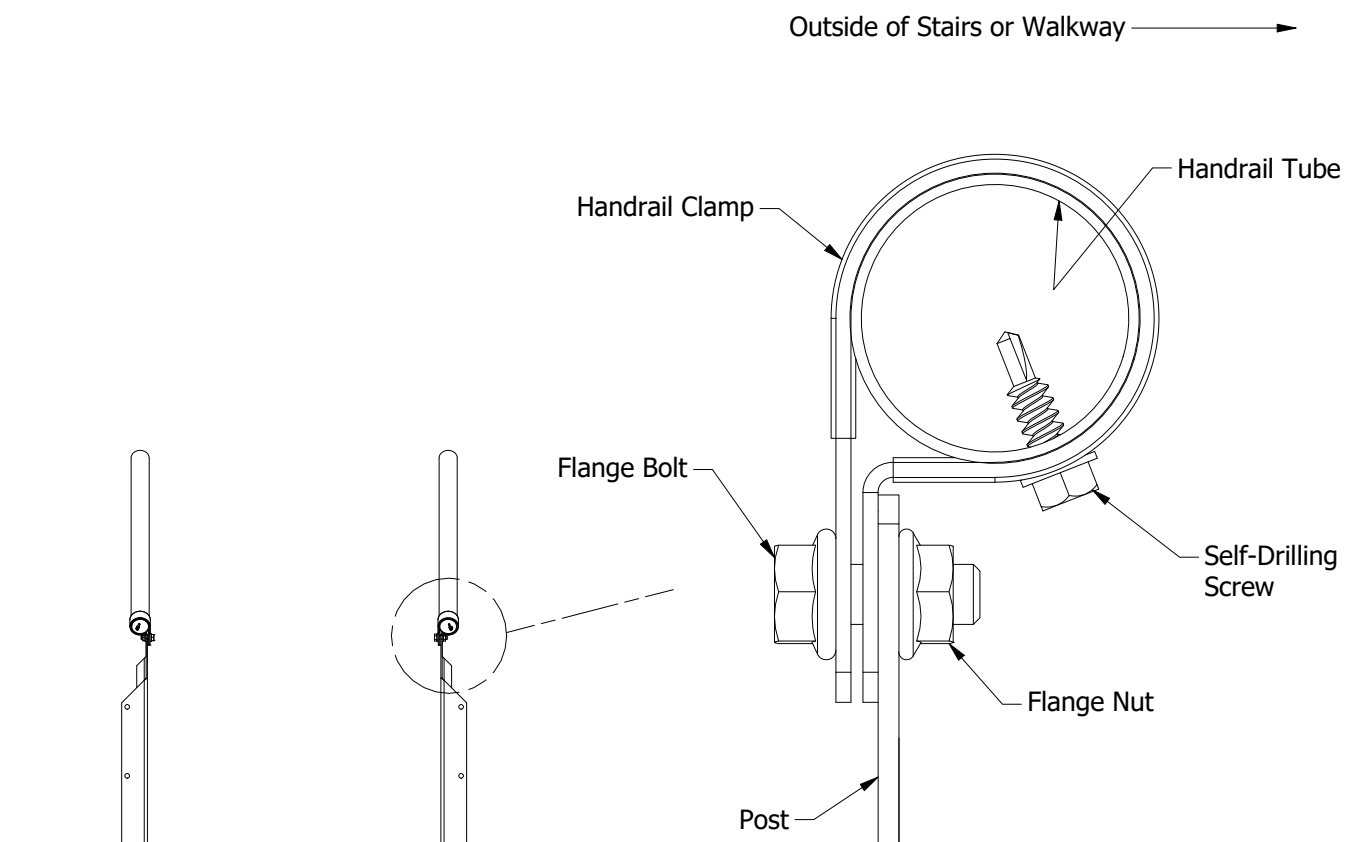
Attaching the Platform Handrail Brackets

- A. Place the (2) platform handrail brackets AS-40031 onto the inside of the entry posts, so that the end with the small angle is up, and the end with the large angle is down.
- B. Secure the brackets to the posts using (3) 3/8" Flange Bolts and Nuts.



Handrail Clamp Installation Instructions

- Position the handrail clamp so it is oriented facing outward, and so it does not interfere into the width of the stairs or walkway.
- Insert the bolt through both holes on the handrail clamp first, then push the bolt through the hole in the stair post from the inside. Install the nut on the outside so that the bolt head is on the inside of the stairs.
- Fasten the clamp tightly together so it is closed around the handrail, making sure the post is not between the two tabs.
- Install a self-drilling screw into the handrail clamp and through the handrail. It should be positioned on the outside near the bottom, approximately as shown, to minimize contact with the hands.



Detail of Handrail Clamp Assembly

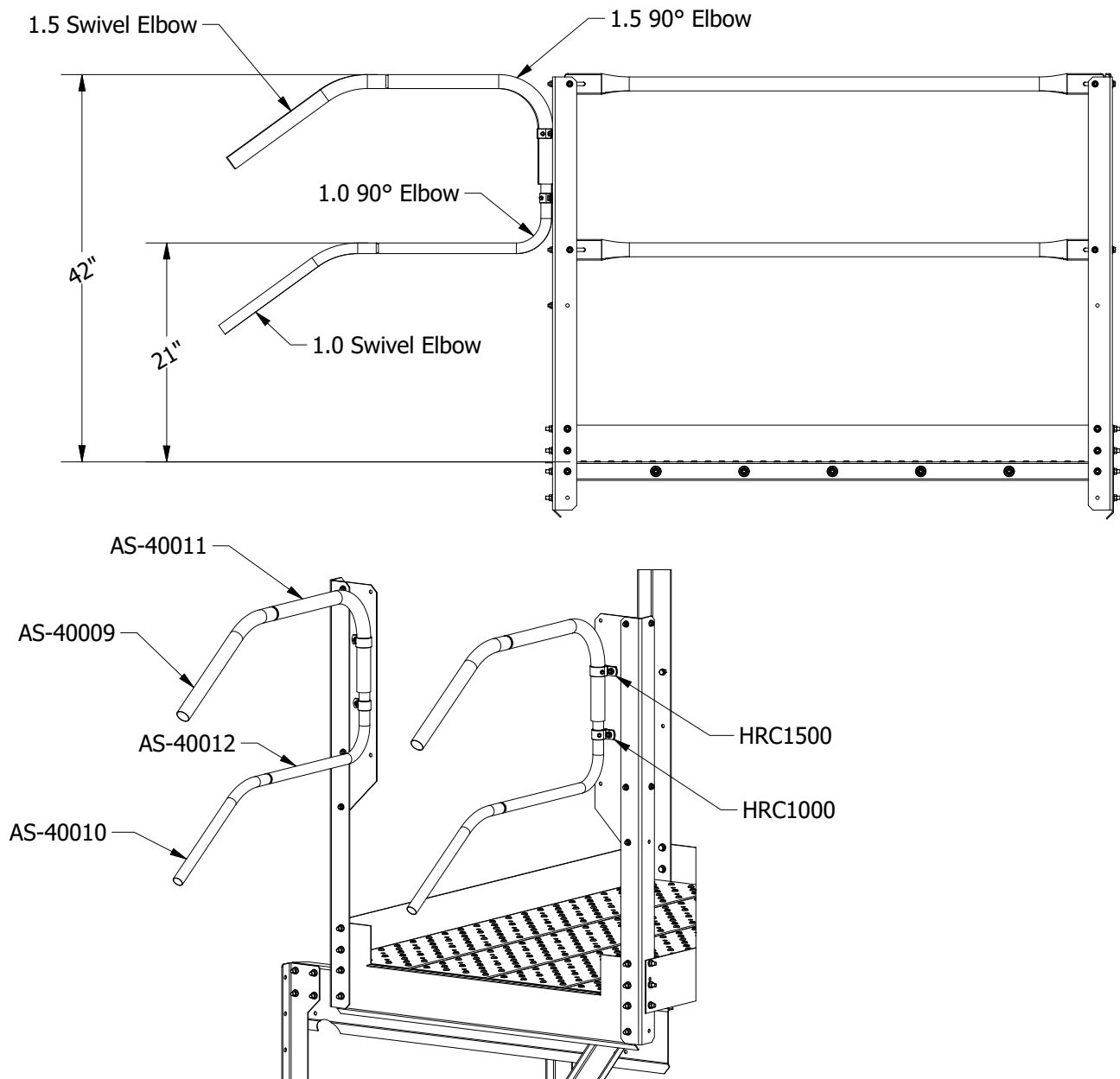
Roof Stair Example Shown

Attaching the Handrail Loops to the Entry

Note:

Do not fully tighten the handrail loops until attaching to the lower platform; some field modifications and fitting of the tubes may be required to maintain the correct handrail heights.

- A. Attach the 1.5 90° elbow AS-40011 to the handrail post bracket with the handrail clamp HRC1500 and a 3/8" Flange Bolt and Nut.
- B. Insert the 1.0 90° elbow AS-40012 into the 1.5 elbow and attach to the handrail post bracket with the HRC1000 handrail clamp and a 3/8" Flange Bolt and Nut.
- C. Insert the swaged end of the 1.0 swivel elbow AS-40010 into the 1.0 90° elbow. Insert the swaged end of the 1.5 swivel elbow AS-40009 into the 1.5 90° elbow.
- D. The top of the upper handrail should be 42" (106.7 cm) above the platform tread. The top of the intermediate rail should be 21" (53.3 cm) above the platform tread.
- E. Partially tighten the rails to secure, they can be fully tightened once attached to the lower platform.



Assemble the Landing Tread

- A. Attach the channel braces AS-40036 to the landing tread skin AS-40030. The number of braces used will be 2-3 depending on the installation. Leave one brace off on the end that will rest on the platform.
- B. Secure each brace with (3) 5/16" Hex Head Bolts and Nuts.
- C. The landing platform rests on the eave platform on the upper end and connects to a stair section on the lower end. The final adjustments and connections will be made when connecting to the lower platform.

