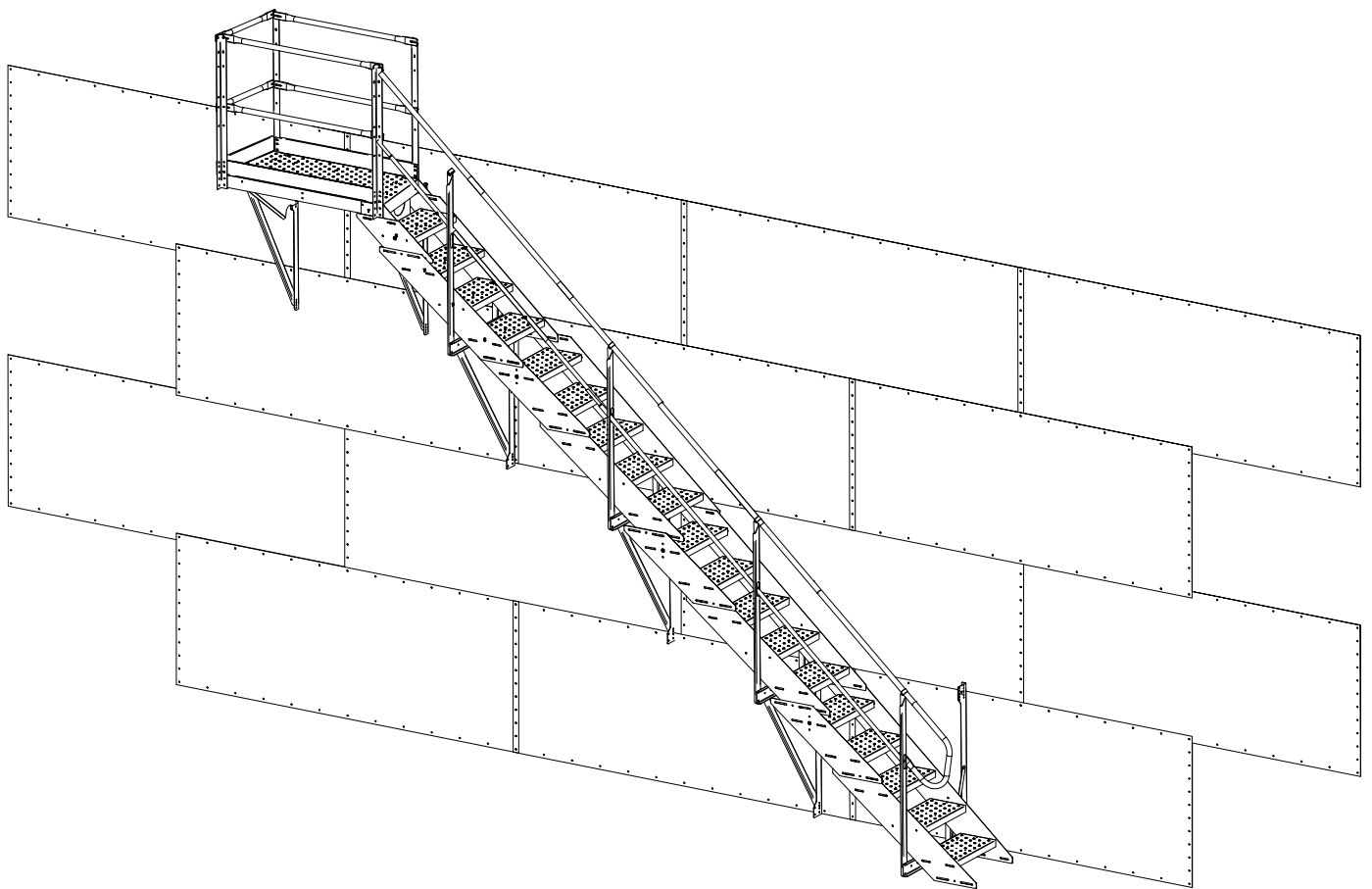


C-Series Sidewall Stairs

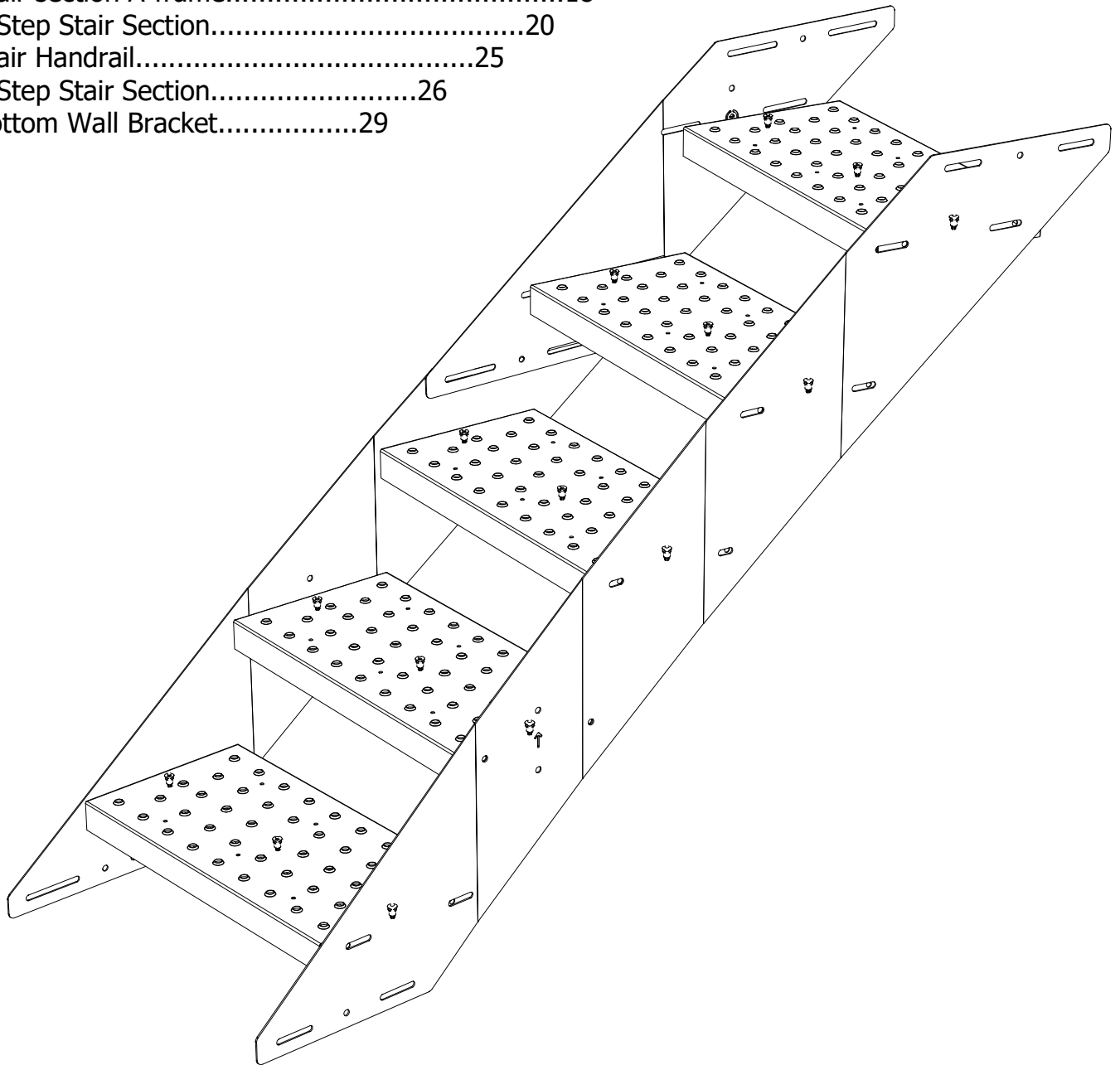
44" Farm Duty Assembly Instructions



C-Series Sidewall Stairs

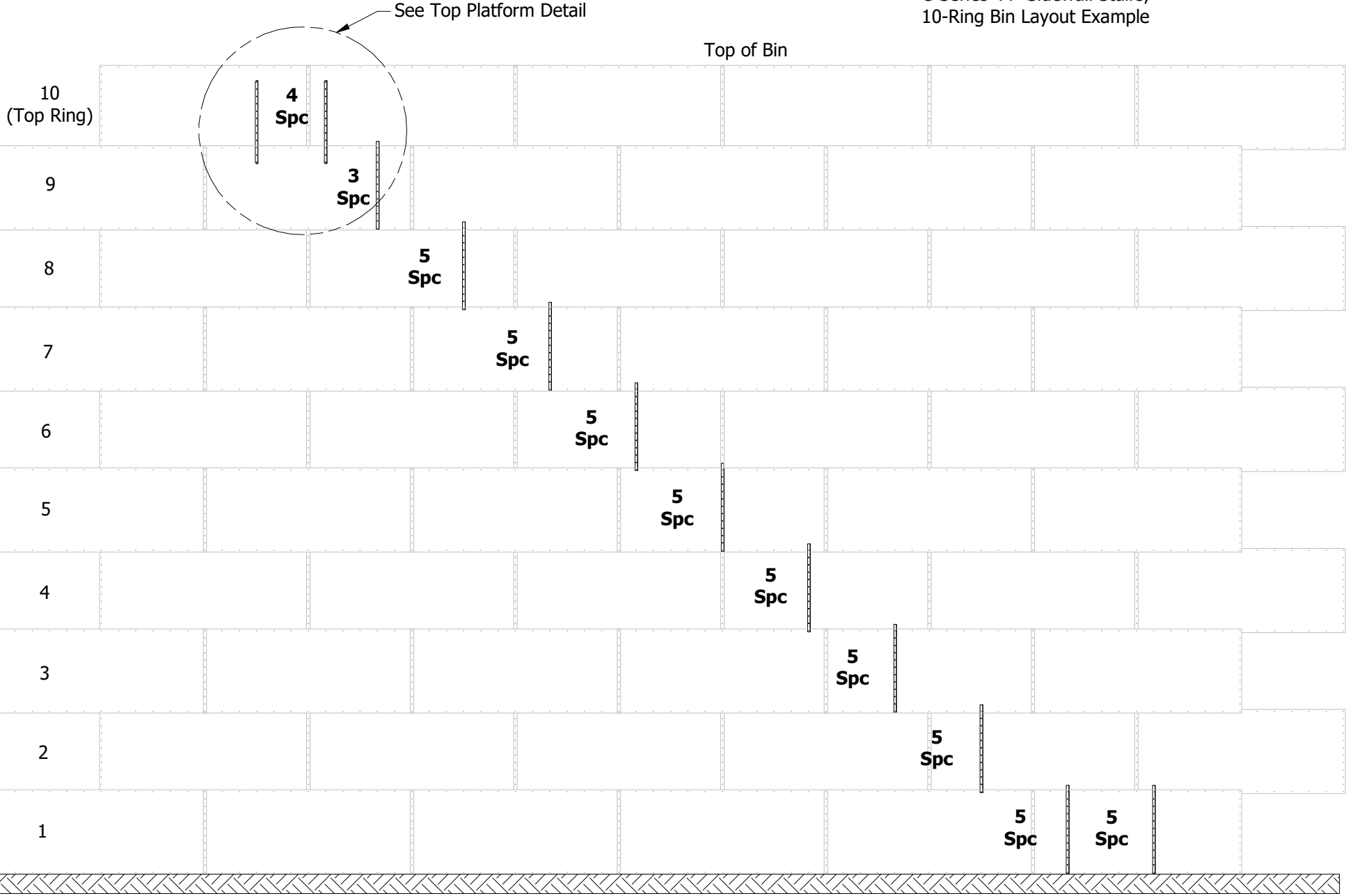
Document Guide

Wall Bracket Layouts.....	3
Eave Platform Detail.....	4
Platform Components & Assembly.....	9
Platform handrail.....	15
Stair section A-frame.....	18
5-Step Stair Section.....	20
Stair Handrail.....	25
4-Step Stair Section.....	26
Bottom Wall Bracket.....	29



Updated April 2022

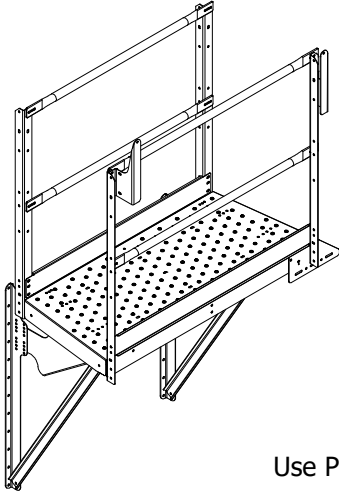
C-Series 44" Sidewall Stairs,
10-Ring Bin Layout Example



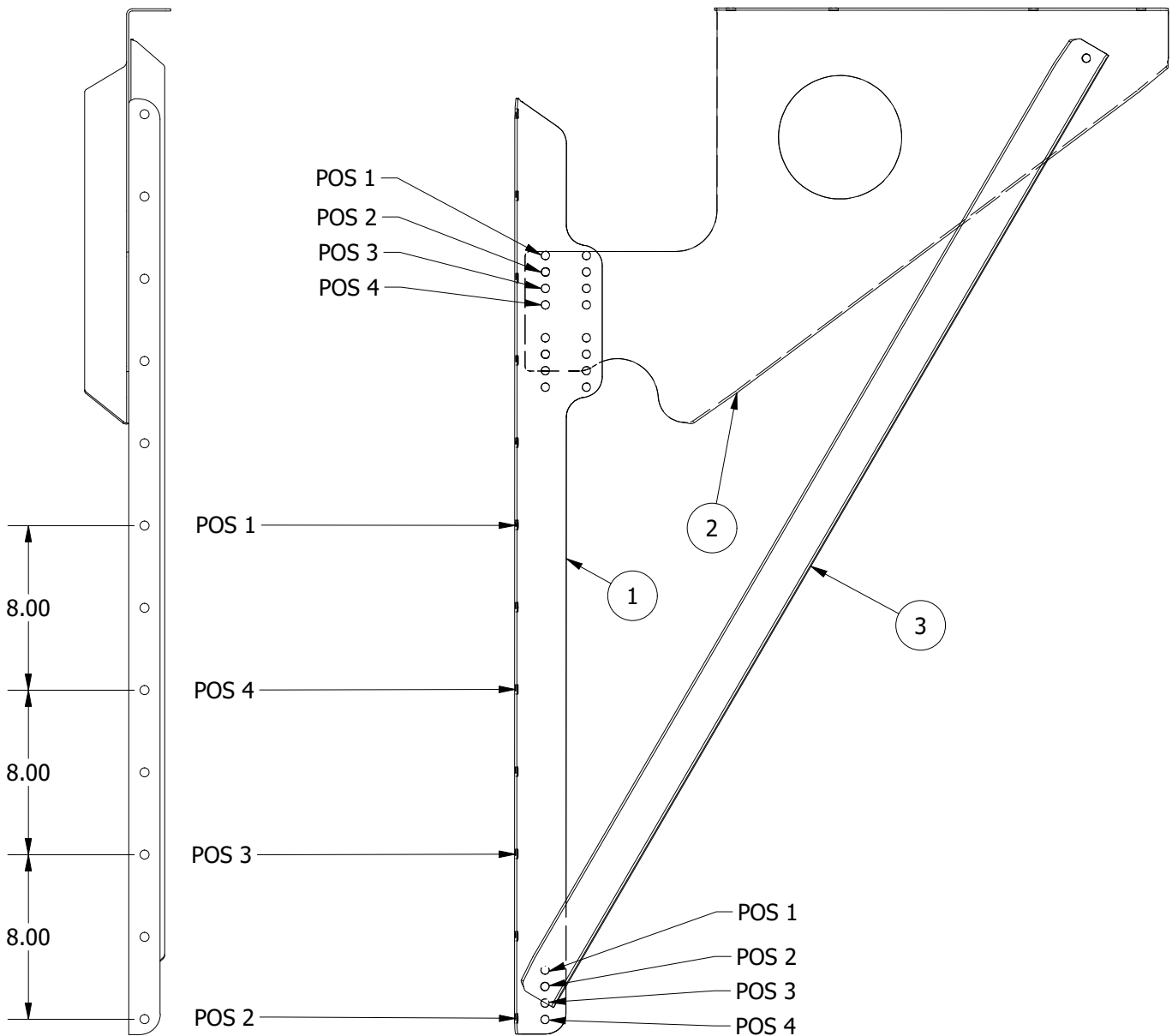
Overall Run Distance can be determined using this formula (single-punched bin sheets):
Bolt Spaces: $2 + 5 \times \text{ring count} = \text{Total Bolt Spaces}$
Bin sheets = Total bolt spaces/12

Platform A-Frame 44" Position Guide

PARTS LIST			
ITEM	QTY	PART NUMBER	DESCRIPTION
1	1	CS-34401	Bracket, Wall, 44 Platform
2	1	CS-34402	Brace, Plate, Platform
3	1	CS-44002	Channel, Brace, 44

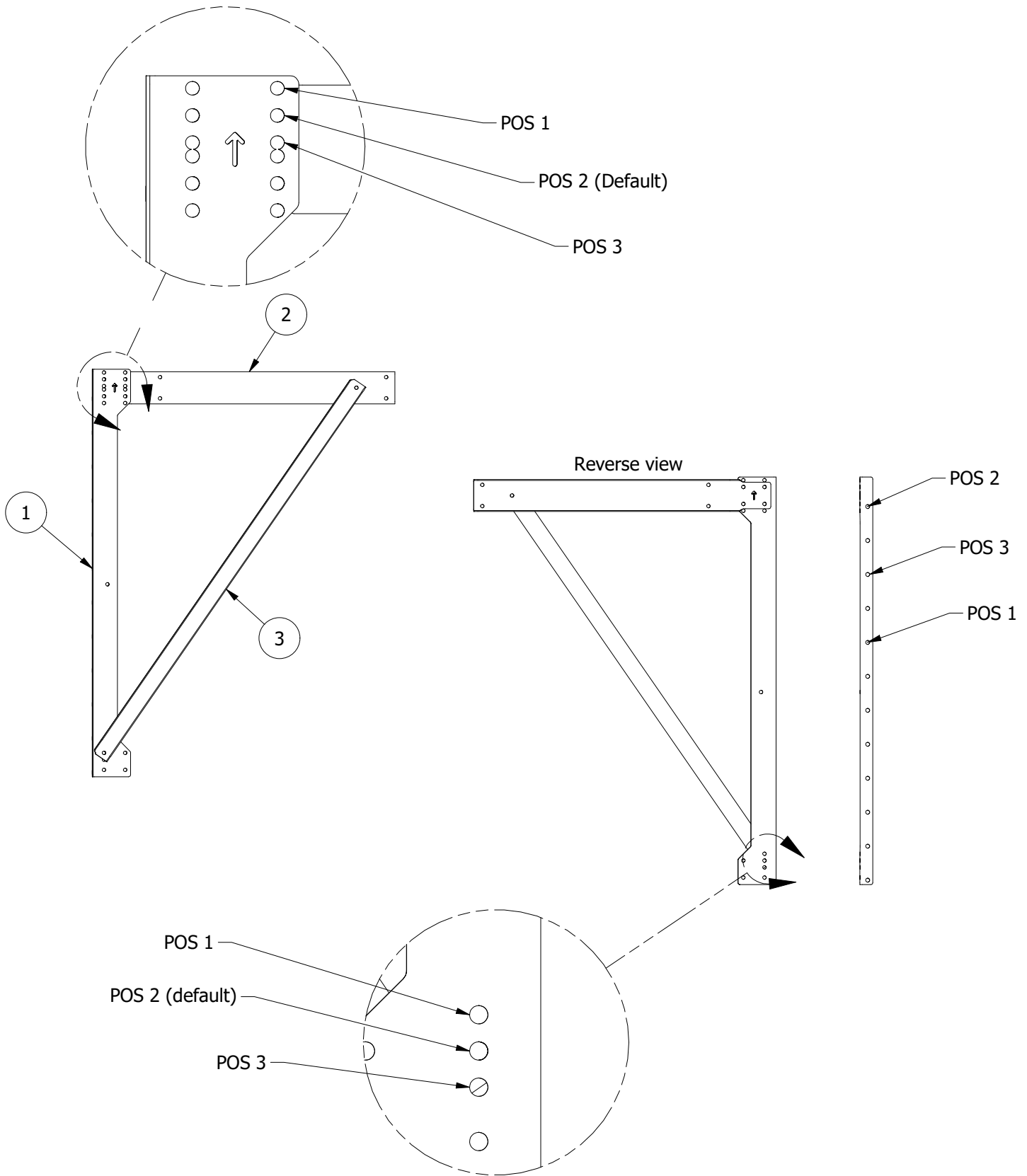


Use POS 3 for Farm duty 4400 Series



Stair A-Frame 44" Position Guide

PARTS LIST			
ITEM	QTY	PART NUMBER	DESCRIPTION
1	1	CS-44001	Bracket, Wall, 44" Ring
2	1	CS-40002	Channel, Crossbar
3	1	CS-44002	Channel, Brace

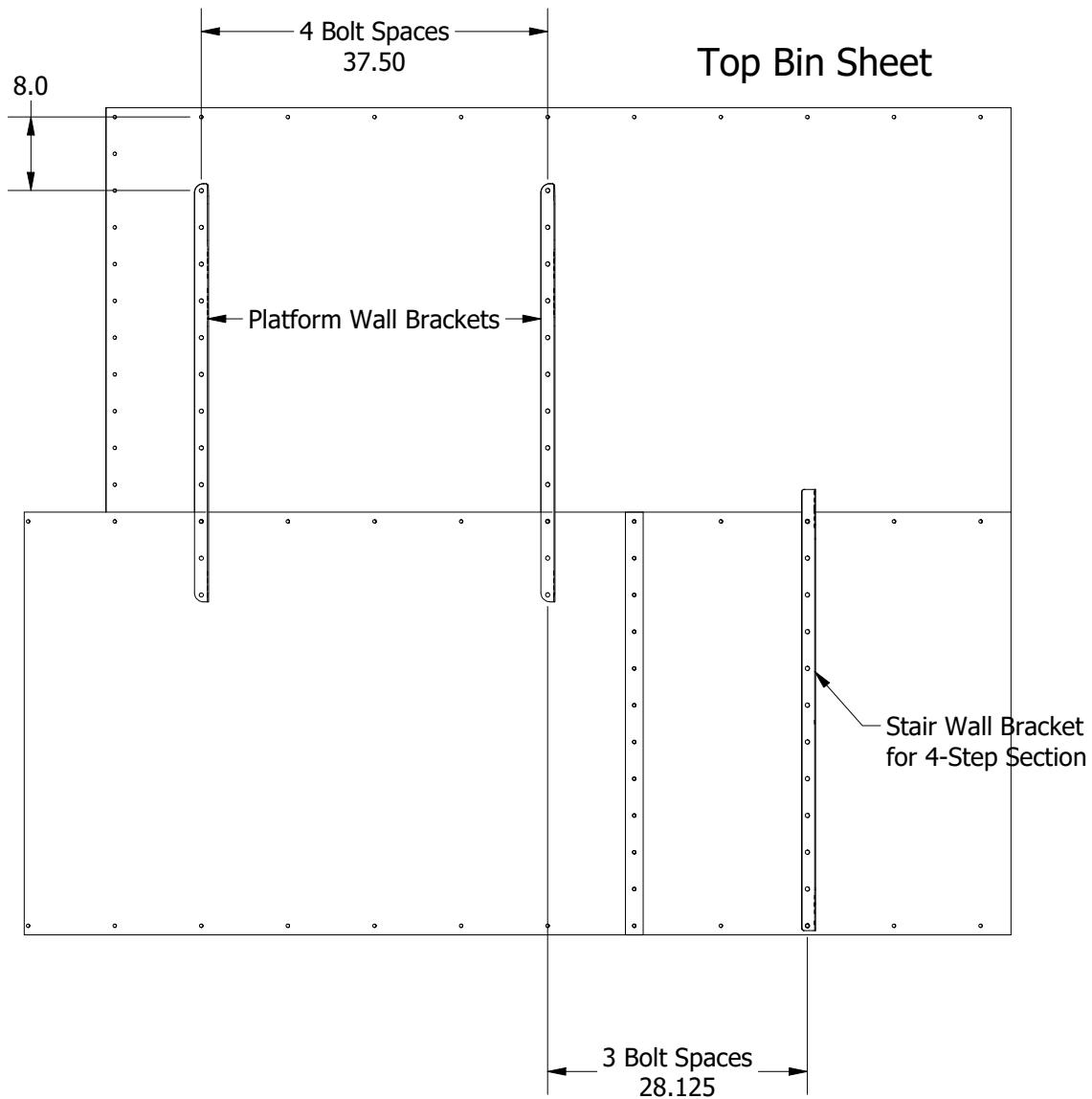


Platform Wall Bracket Horizontal Bolt Spacing, C-Series Farm 44" Long Platform

The horizontal spacing between the long eave platform wall brackets is 4 bolt spaces (37.50").

The horizontal spacing from the platform wall bracket to the 4-step stair wall bracket is 3 bolt spaces (28.125").

The platform wall brackets are adjusted 8" below the top seam.

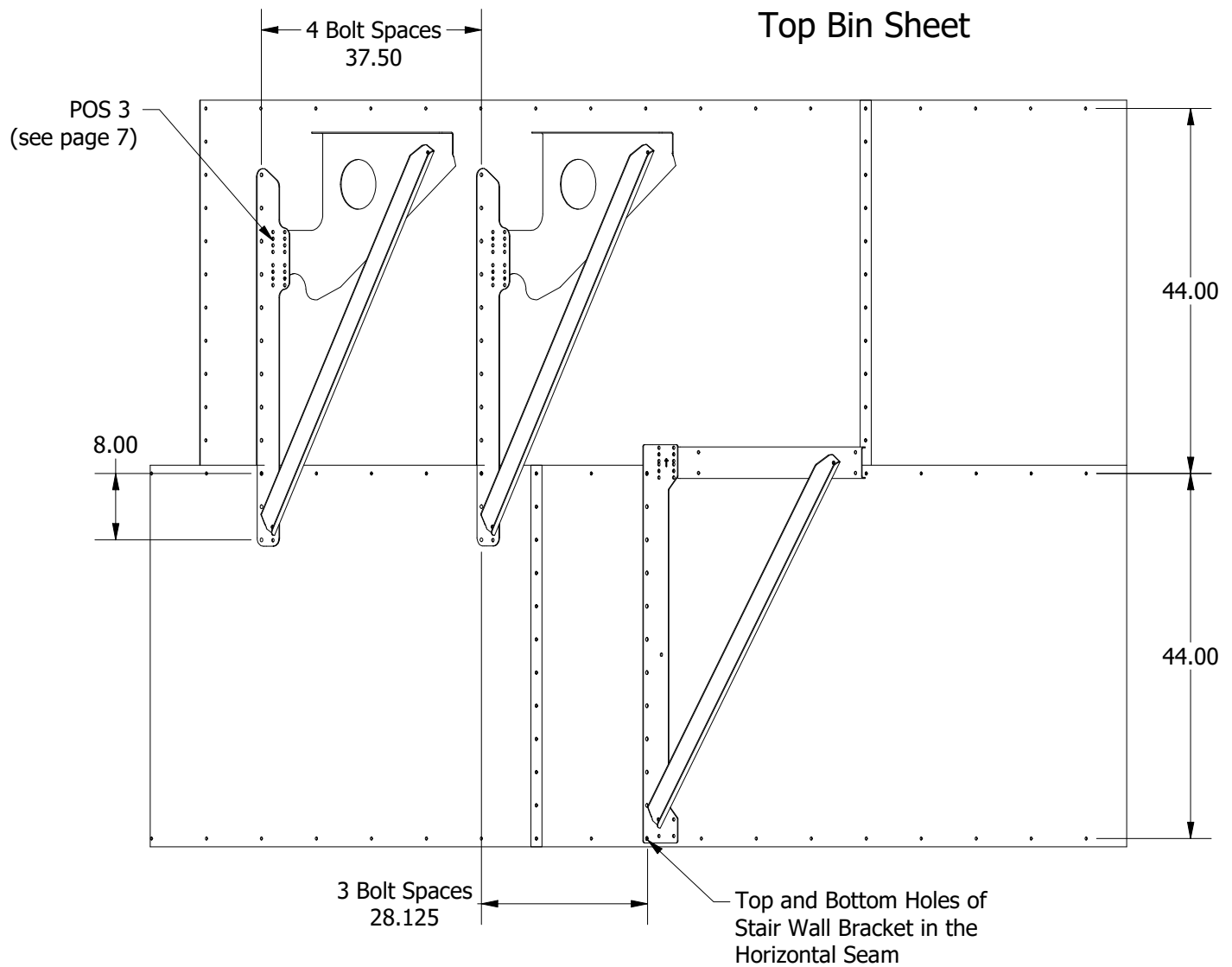


Platform Wall Bracket Horizontal Bolt Spacing, C-Series Farm 44" Long Platform

The horizontal spacing between the long eave platform wall brackets is 4 bolt spaces (37.50").

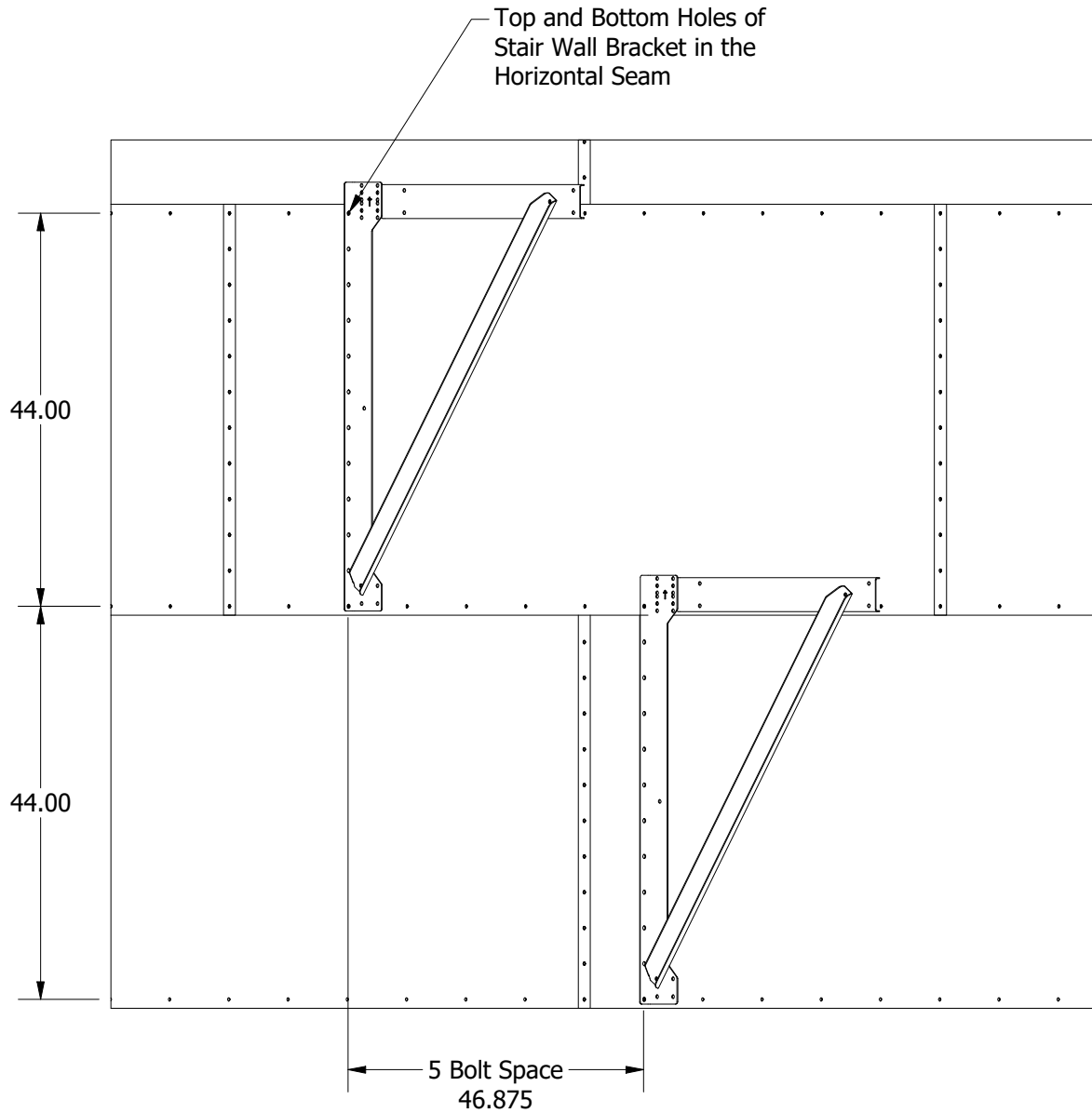
The horizontal spacing from the platform wall bracket to the 4-step stair wall bracket is 3 bolt spaces (28.125").

Assemble the platform supports in POS 3 for correct vertical layout



Stair Wall Bracket Horizontal Bolt Spacing, CF4400 C-Series Farm 44" 5-Step Stair Section

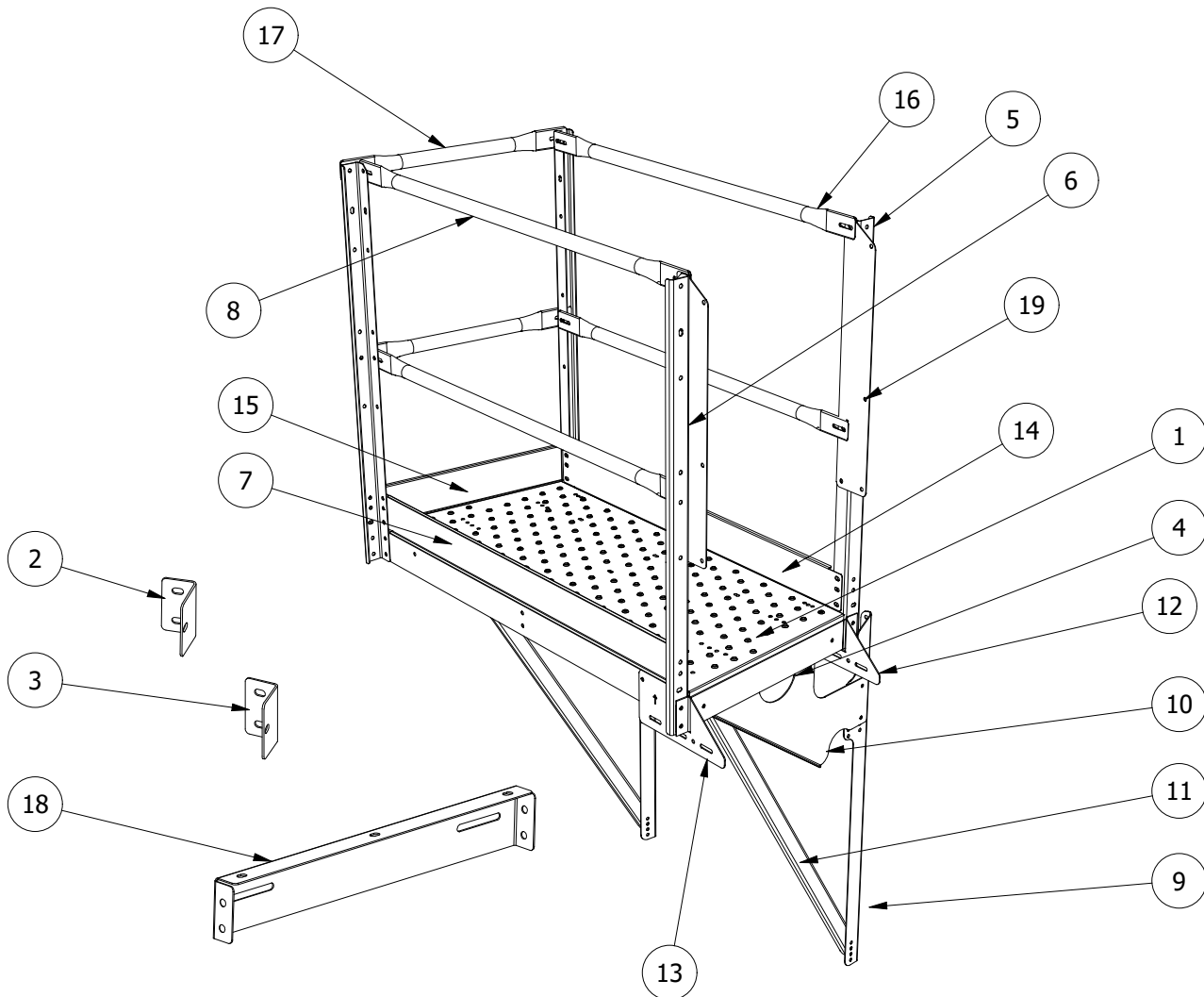
The horizontal spacing between the long eave platform wall brackets is 5 bolt spaces (46.875"), and is consistent the remainder of the way down the bin, unless using a rest landing.



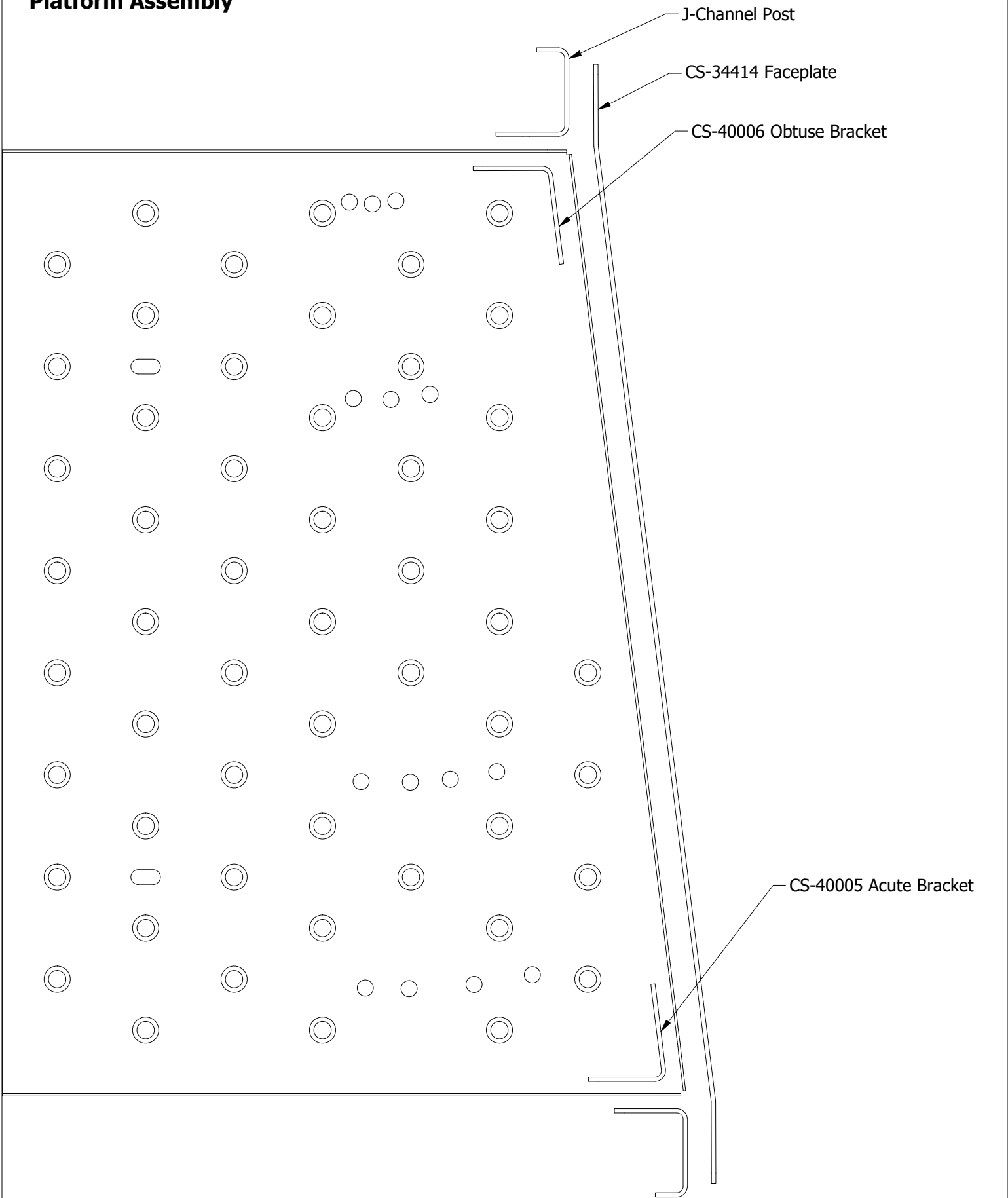
**CF3544L Parts List,
C-Series Commercial 44"
Long Stair Platform**

Roof Stair Platform

PARTS LIST			
ITEM	QTY	PART NUMBER	DESCRIPTION
1	1	CS-F30001	Tread, Platform, Trapezoid 55x24
2	2	CS-40005	Bracket, Brace, Angle, Acute
3	2	CS-40006	Bracket, Brace, Angle, Obtuse
4	2	CS-34414	Bracket, Faceplate
5	2	CS-34500	Angle, Post, J-channel, Right
6	2	CS-34501	Angle, Post, J-channel, Left
7	1	CS-34406	Channel, Kickboard, Outside Long
8	2	TRS1505400	54" long 1.5 in tube railing slotted end tabs
9	2	CS-34401	Bracket, Wall, 44 Platform
10	2	CS-34402	Brace, Plate, Platform
11	2	CS-44002	Channel, Brace, 44
12	1	CS-40410	Lower Stringer Extension, Right
13	1	CS-40411	Lower Stringer Extension, Left
14	1	CS-34407	Channel, Kickboard, Inside, Long
15	1	CS-34408	Channel, Kickboard, End
16	2	TRS1504800	48 Long 1.5 in tube railing slotted end tabs
17	2	TRS1502800	28 Long 1.5 in tube railing slotted end tabs
18	1	CS-3009	Bracket, Support, Platform
19	2	CS-30010	Bracket, Plate, Handrail



**C-Series Farm
Platform Assembly**



J-Channel Post

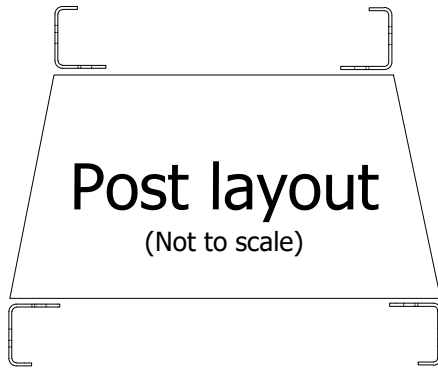
CS-34414 Faceplate

CS-40006 Obtuse Bracket

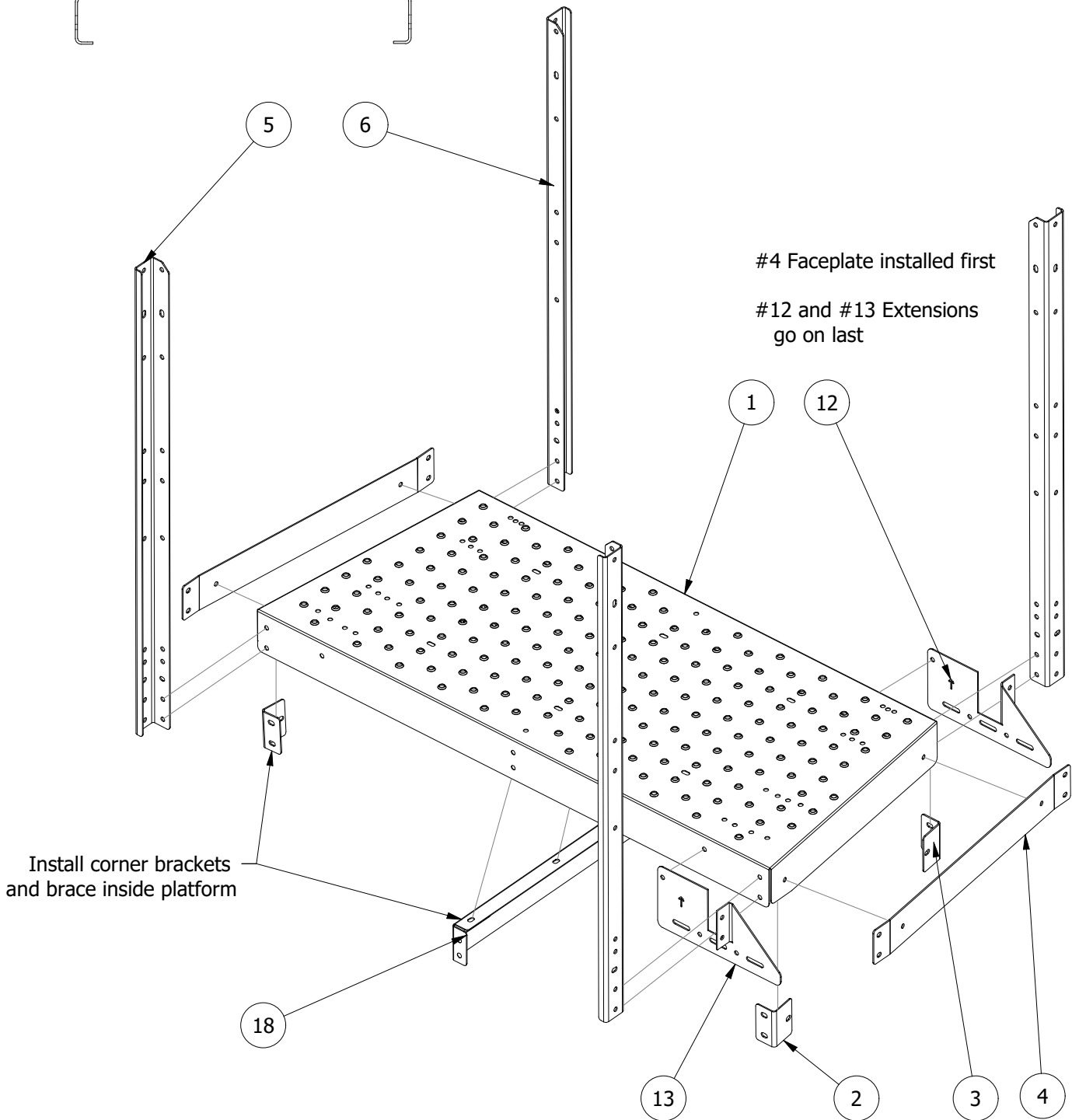
CS-40005 Acute Bracket

C-Series Farm Platform Assembly

Posts & Brackets

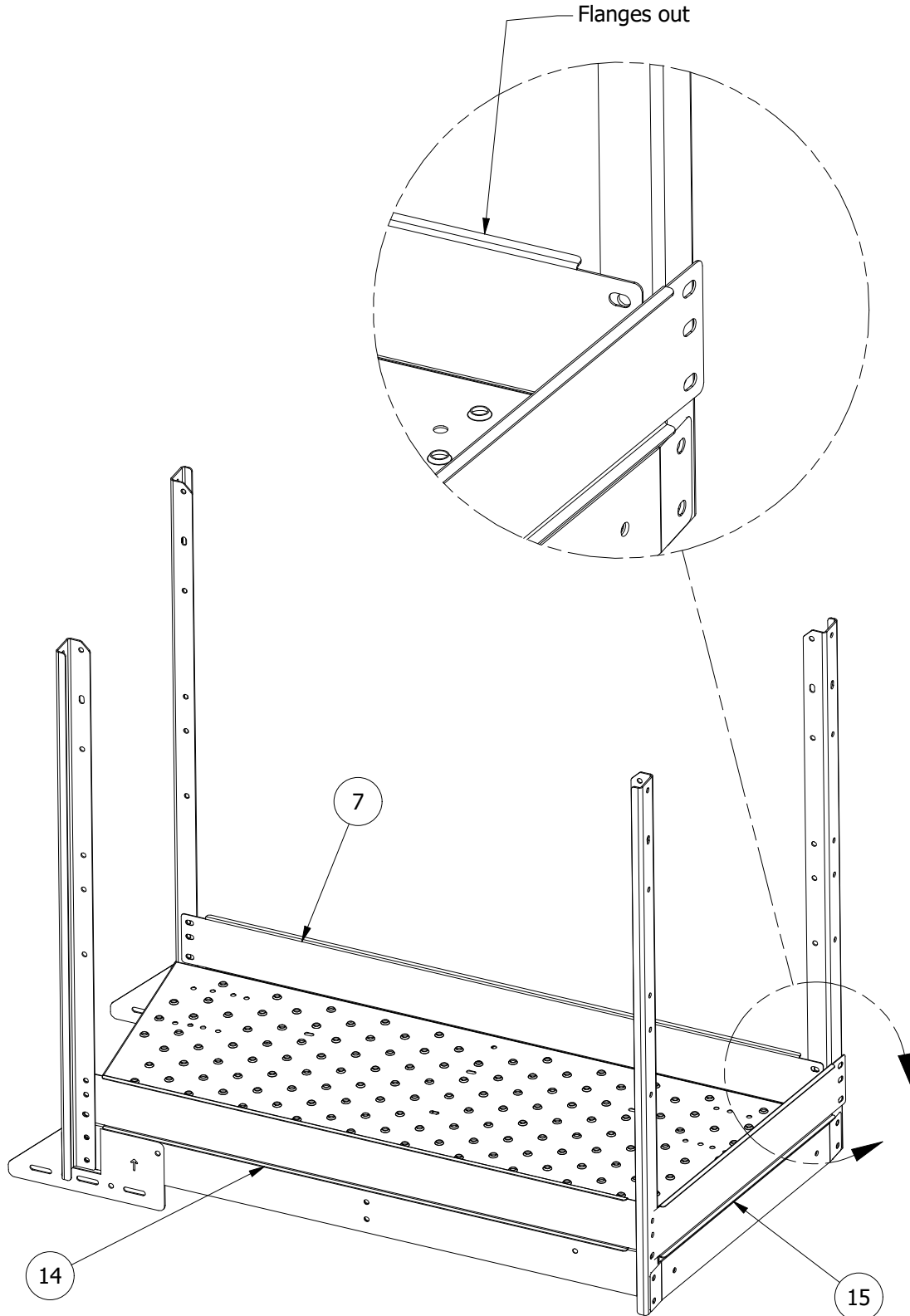


PARTS LIST			
ITEM	QTY	PART NUMBER	DESCRIPTION
1	1	CS-F30001	Tread, Platform, Trapezoid 55x24
2	2	CS-40005	Bracket, Brace, Angle, Acute
3	2	CS-40006	Bracket, Brace, Angle, Obtuse
4	2	CS-34414	Bracket, Faceplate
5	2	CS-34500	Angle, Post, J-channel, Right
6	2	CS-34501	Angle, Post, J-channel, Left
12	1	CS-40410	Lower Stringer Extension, Right
13	1	CS-40411	Lower Stringer Extension, Left
18	1	CS-3009	Bracket, Support, Platform



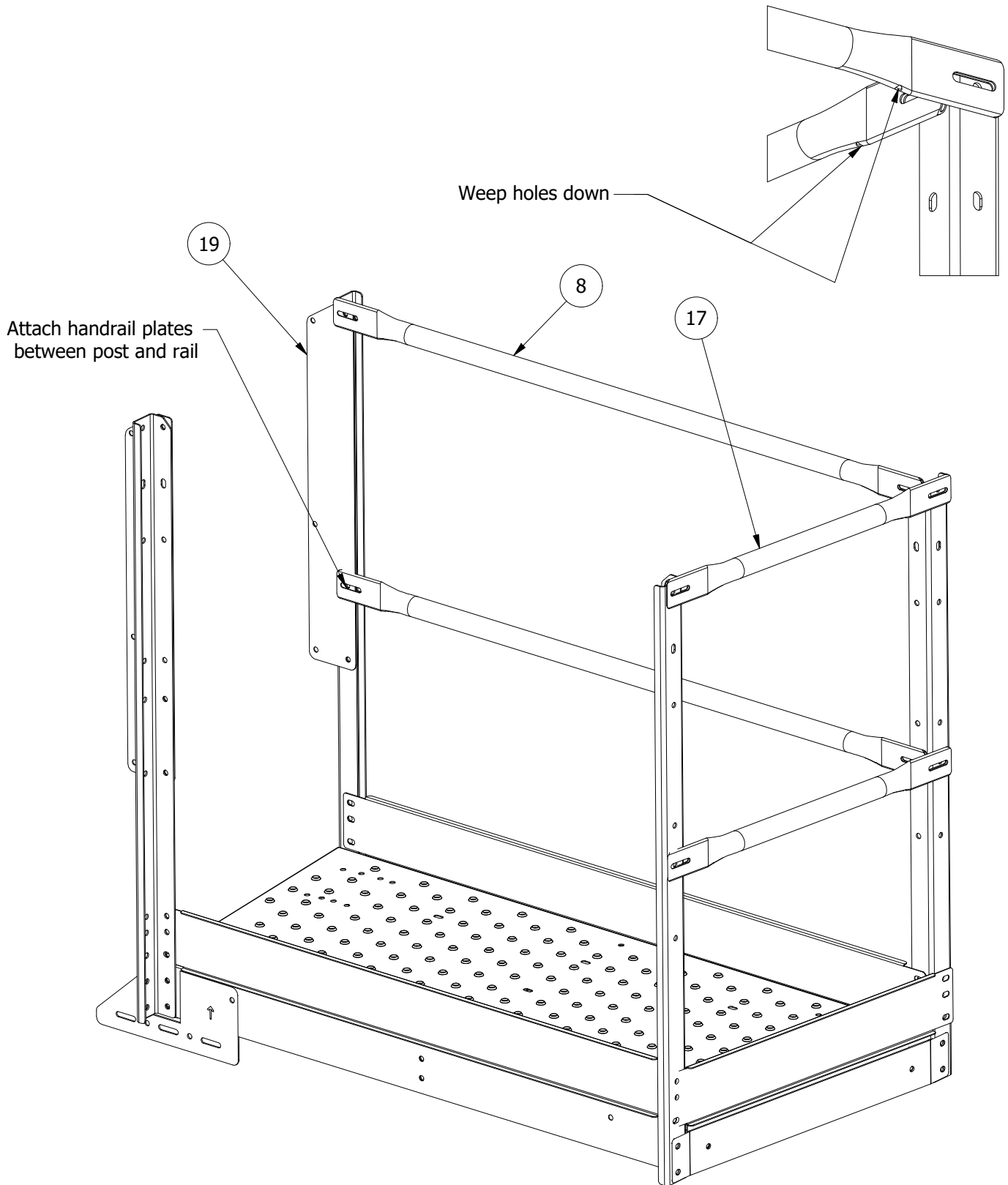
**C-Series Farm
Platform Assembly
Kickboards**

PARTS LIST			
ITEM	QTY	PART NUMBER	DESCRIPTION
7	1	CS-34406	Channel, Kickboard, Outside Long
14	1	CS-34407	Channel, Kickboard, Inside, Long
15	1	CS-34408	Channel, Kickboard, End



**C-Series Farm
Platform Assembly
Railing**

PARTS LIST			
ITEM	QTY	PART NUMBER	DESCRIPTION
8	2	TRS1505400	54" long 1.5 in tube railing slotted end tabs
17	2	TRS1502800	28 Long 1.5 in tube railing slotted end tabs
19	2	CS-30010	Bracket, Plate, Handrail

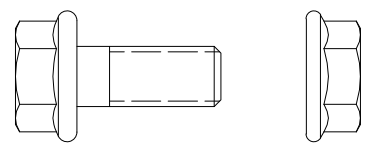


C-Series Farm Platform Assembly

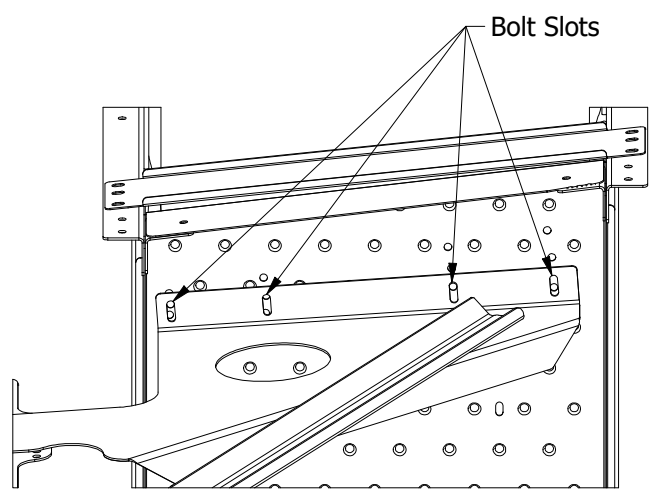
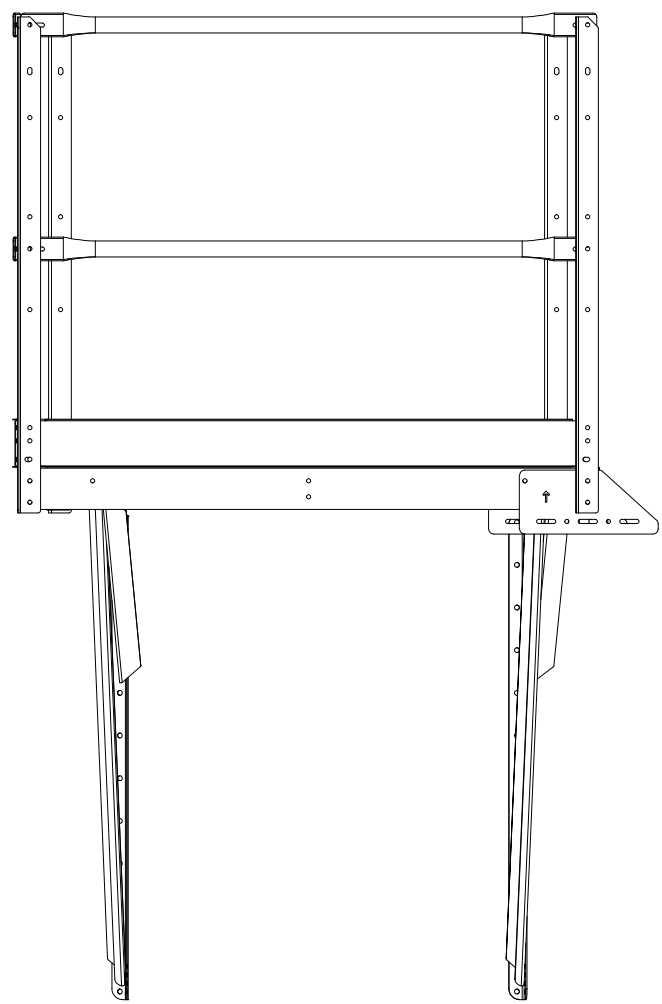
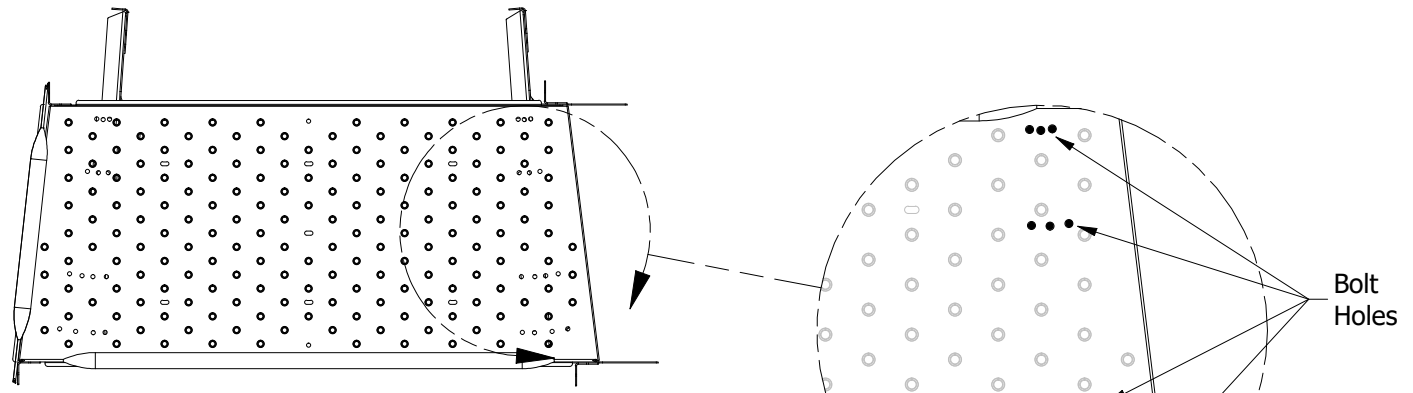
Center the platform assembly on top of the A-frame wall mounts.

Use (4) 5/16" bolts to attach each wall mount plate to the platform.

Use the bolt holes in the platform that best align with the A-frame mounts, this will vary according to the bin diameter.



5/16" Flange Bolt & Lock Nut
Used in This Step



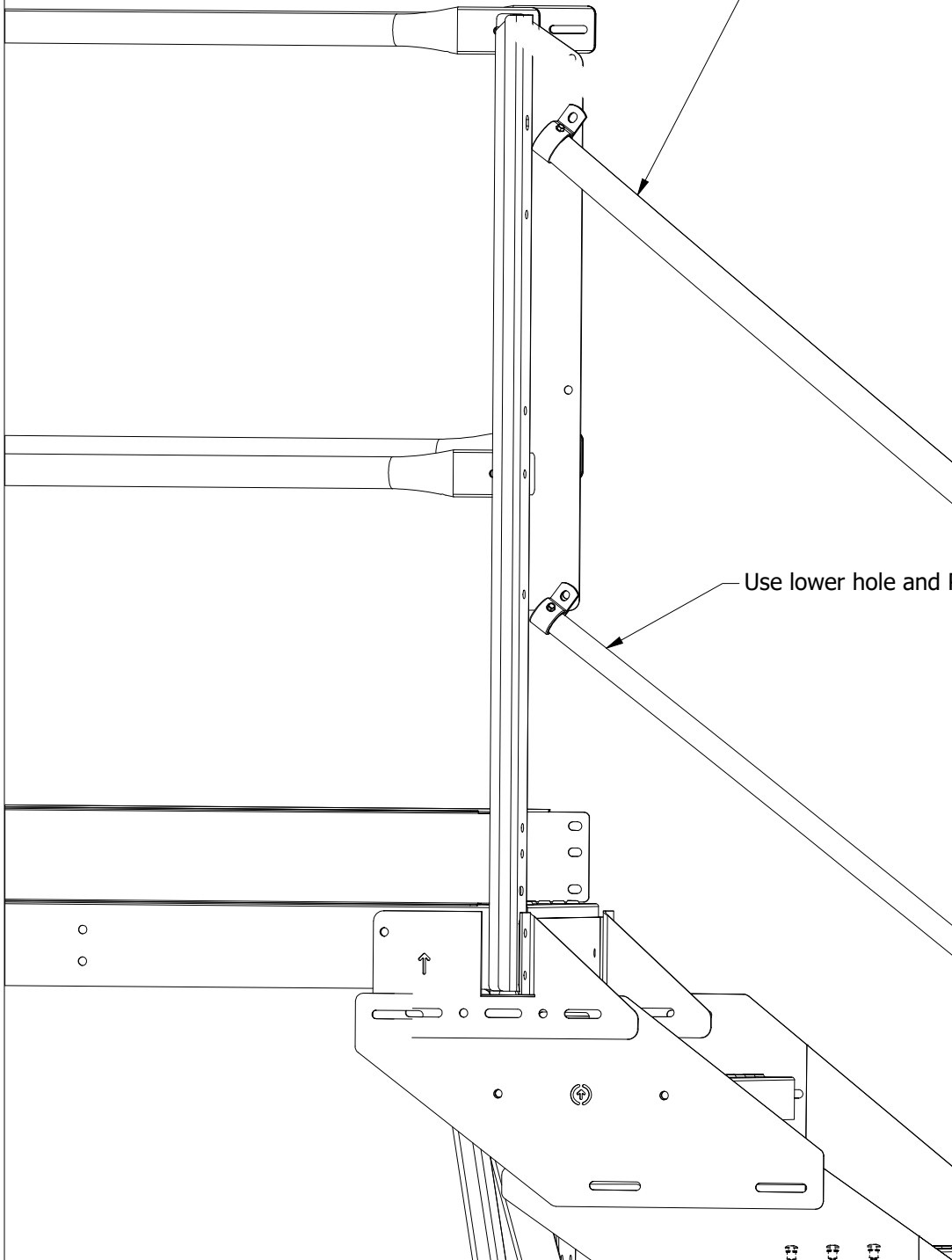
Under Side View of
Platform Attachment

C-Series Farm Platforms Midrail and Handrail

Top platform, side view

Stair handrail at ~37" from tread,
field drill plate and secure with P-clamp (1.5")

Use lower hole and P-clamp for midrail (1")

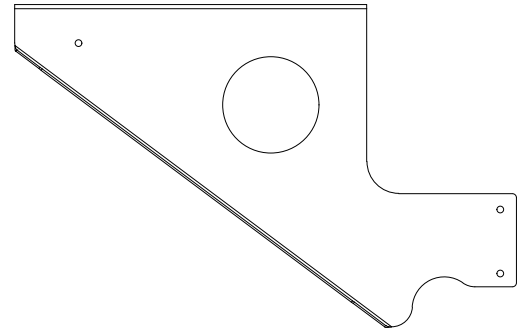


CF3544L Roof Stair Platform

Parts ID



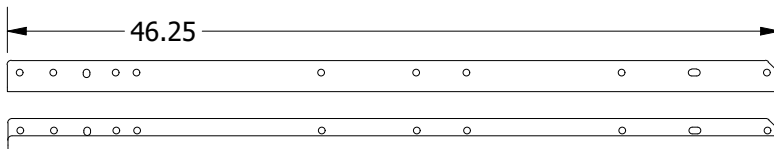
CS-44001



CS-34402

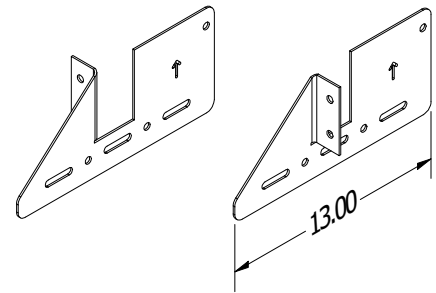


CS-44002



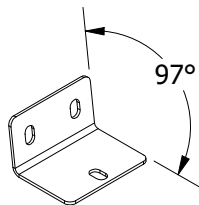
CS-34500 (Right), CS-34501 (Left)

CS-40411, CS-40410

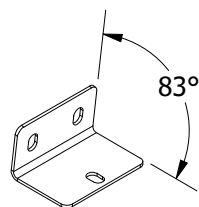


Note

The CS-40005 and CS-40006 angle brackets must be installed on the inside of the CS-F30001 platform tread.



CS-40006



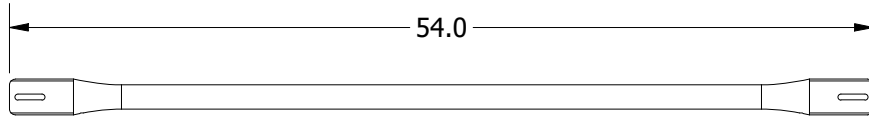
CS-40005



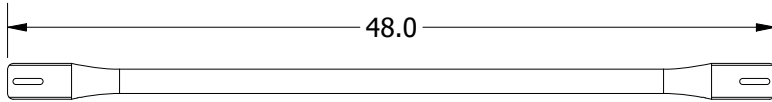
CS-F30001

CF3544L Roof Stair Platform

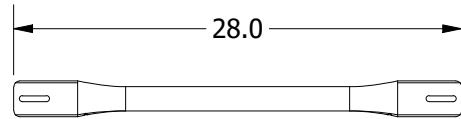
Parts ID



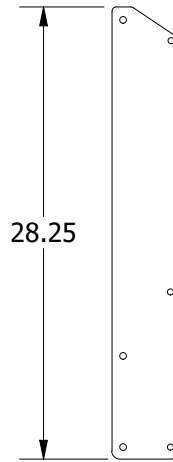
TR1505400



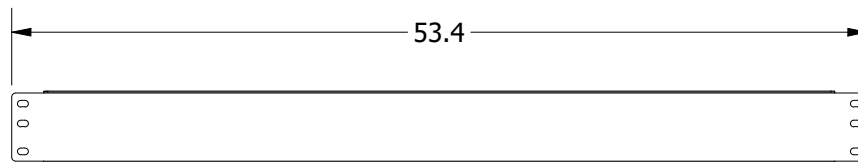
TR1504800



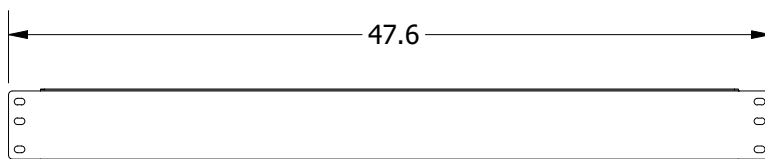
TR1502800



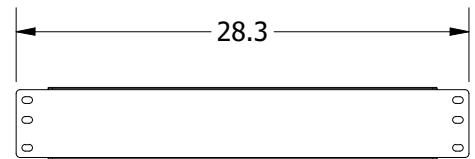
CS-30010



CS-34406

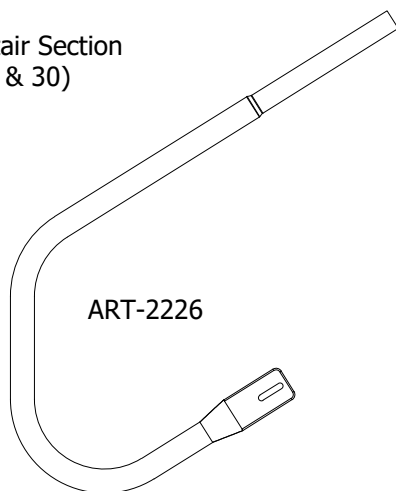


CS-34407

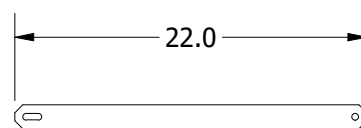


CS-34408

Used on Bottom Stair Section
(see pages 29 & 30)



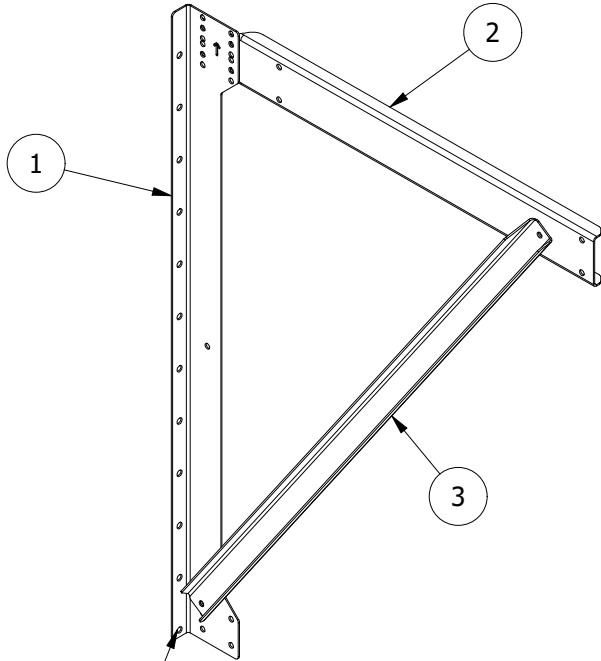
ART-2226



AS-40004

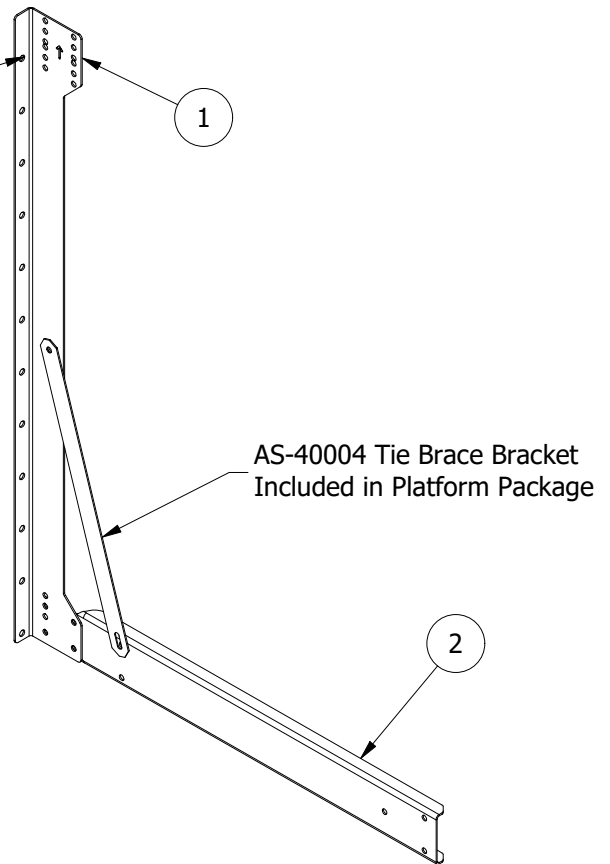
A-Frame Layouts

PARTS LIST			
ITEM	QTY	PART NUMBER	DESCRIPTION
1	1	CS-44001	Bracket, Wall, 44" Ring
2	1	CS-40002	Channel, Crossbar
3	1	CS-44002	Channel, Brace



Stair Run Section

Always include seal between bracket and bin sheet

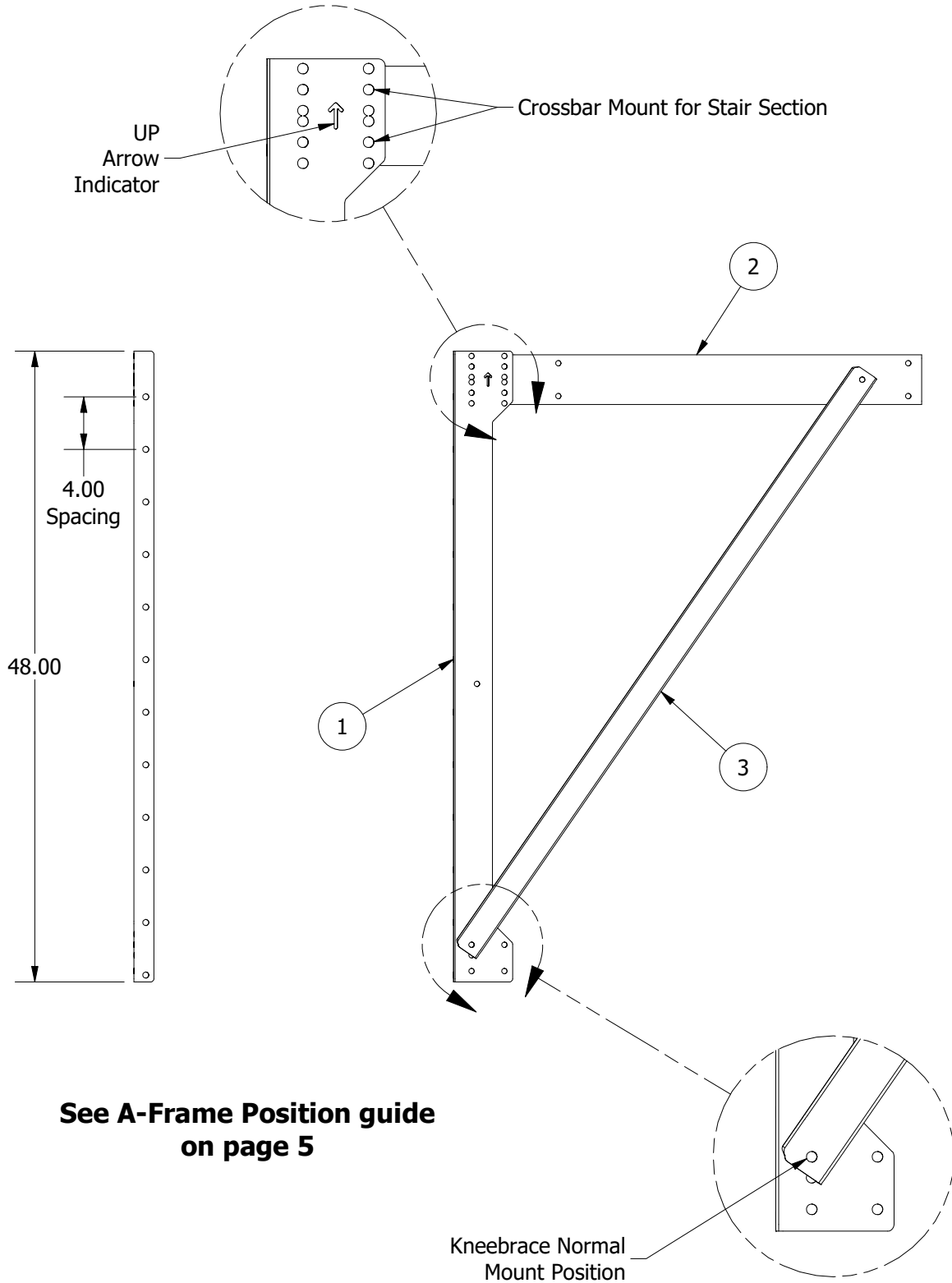


Bottom Stair Section

AS-40004 Tie Brace Bracket
Included in Platform Package

A-Frame Stair Run

PARTS LIST			
ITEM	QTY	PART NUMBER	DESCRIPTION
1	1	CS-44001	Bracket, Wall, 44" Ring
2	1	CS-40002	Channel, Crossbar
3	1	CS-44002	Channel, Brace

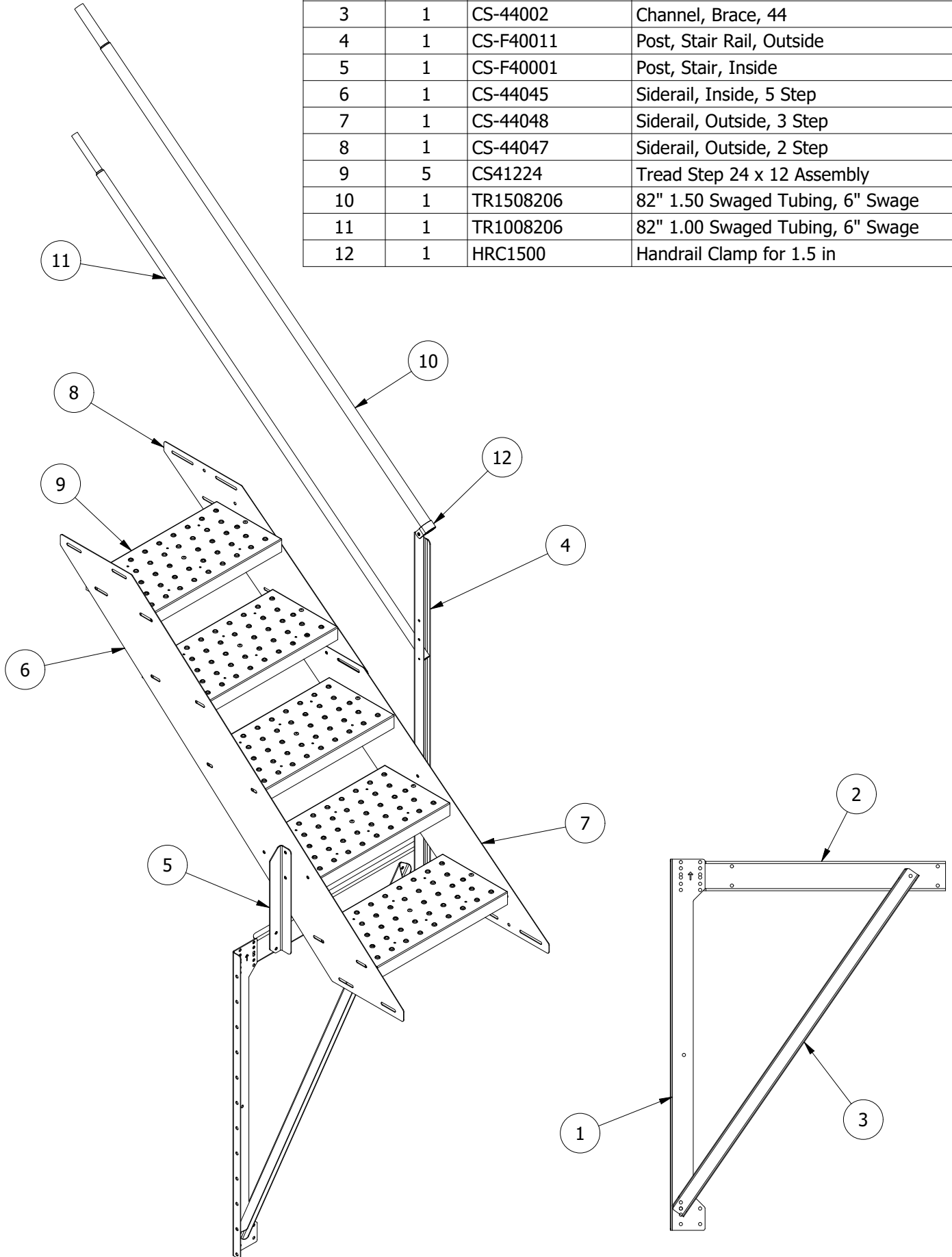


**See A-Frame Position guide
on page 5**

**Parts List, CF4400
C-Series Farm 44"
5 Step Stair Section**

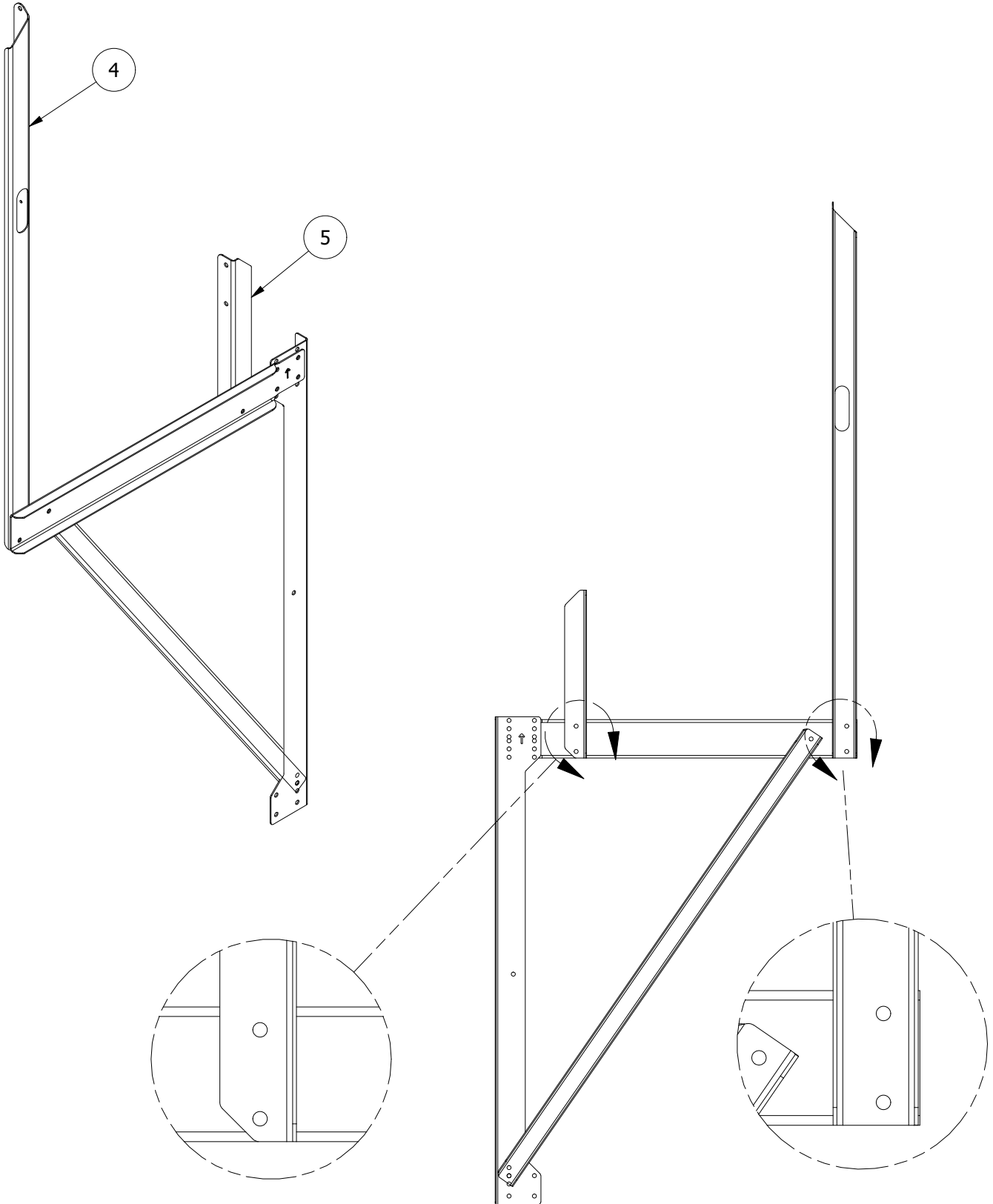
PARTS LIST

ITEM	QTY	PART NUMBER	DESCRIPTION
1	1	CS-44001	Bracket, Wall, 44" Ring
2	1	CS-40002	Channel, Crossbar
3	1	CS-44002	Channel, Brace, 44"
4	1	CS-F40011	Post, Stair Rail, Outside
5	1	CS-F40001	Post, Stair, Inside
6	1	CS-44045	Siderail, Inside, 5 Step
7	1	CS-44048	Siderail, Outside, 3 Step
8	1	CS-44047	Siderail, Outside, 2 Step
9	5	CS41224	Tread Step 24 x 12 Assembly
10	1	TR1508206	82" 1.50 Swaged Tubing, 6" Swage
11	1	TR1008206	82" 1.00 Swaged Tubing, 6" Swage
12	1	HRC1500	Handrail Clamp for 1.5 in



Attaching the Posts to the A-Frame

PARTS LIST			
ITEM	QTY	PART NUMBER	DESCRIPTION
4	1	CS-F40011	Post, Stair Rail, Outside
5	1	CS-F40001	Post, Stair, Inside



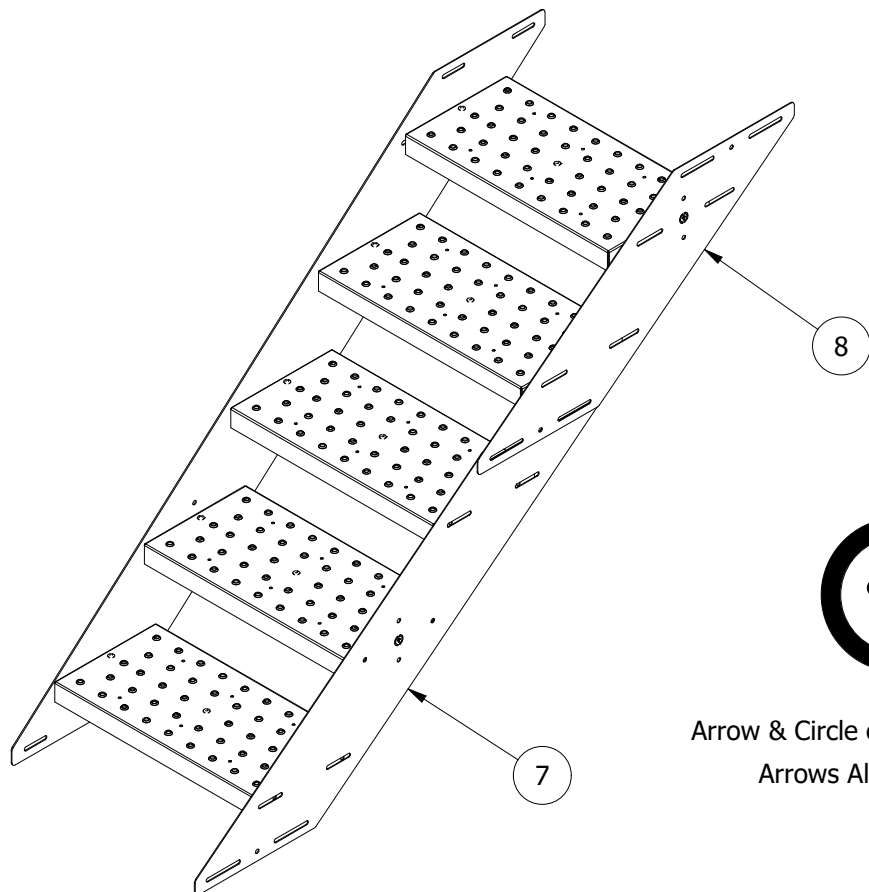
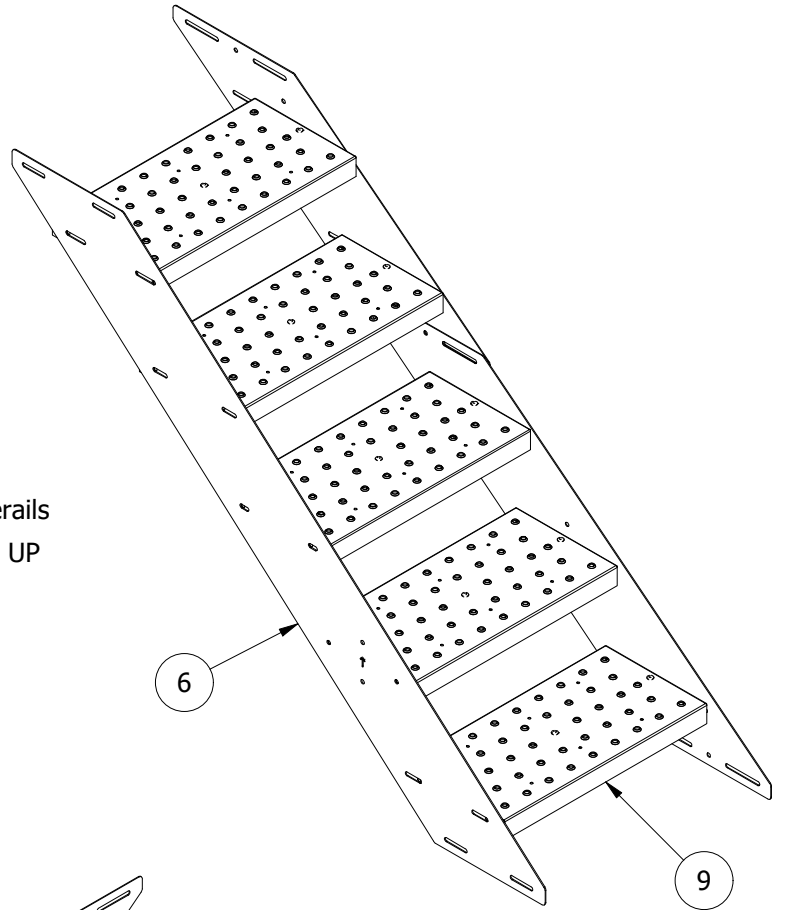
CF4400 C-Series Farm 44" 5 Step Stair Section

PARTS LIST			
ITEM	QTY	PART NUMBER	DESCRIPTION
6	1	CS-44045	Siderail, Inside, 5 Step
7	1	CS-44048	Siderail, Outside, 3 Step
8	1	CS-44047	Siderail, Outside, 2 Step
9	5	CS41224	Tread Step 24 x 12 Assembly

On the CF4400 stair section,
the inside siderail is a one piece 5-step,
the outside siderail is a two piece, 3-step and 2-step.



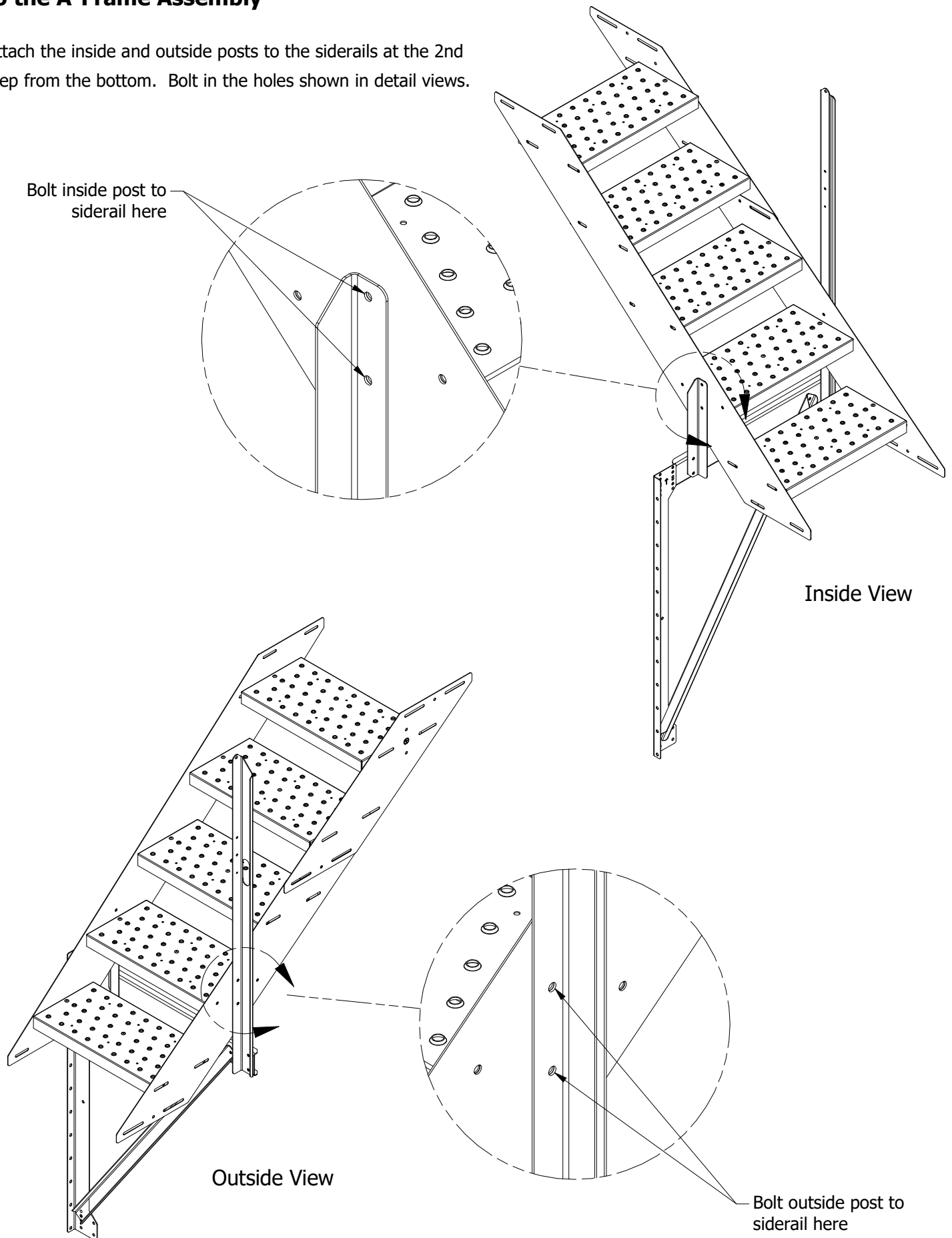
Arrow on Inside Siderails
Arrows Always Face UP



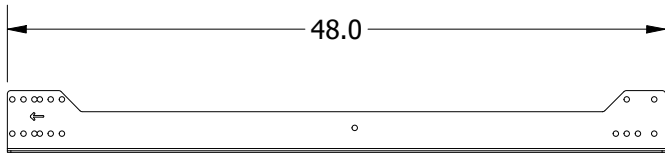
Arrow & Circle on Outside Siderails
Arrows Always Face UP

Attaching the Stair Section to the A-Frame Assembly

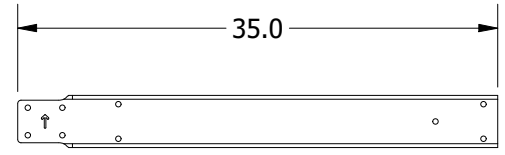
Attach the inside and outside posts to the siderails at the 2nd step from the bottom. Bolt in the holes shown in detail views.



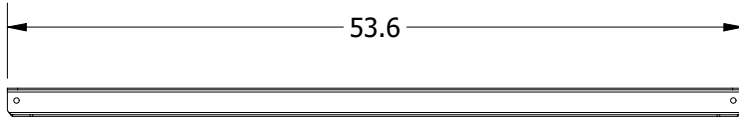
CF4400 Parts ID



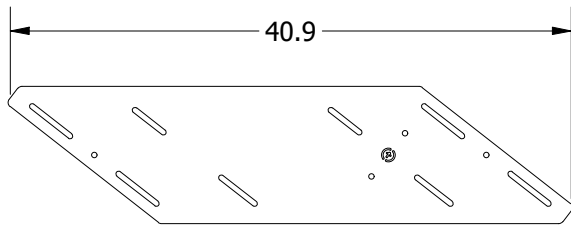
CS-44001



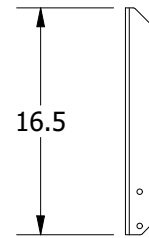
CS-40002



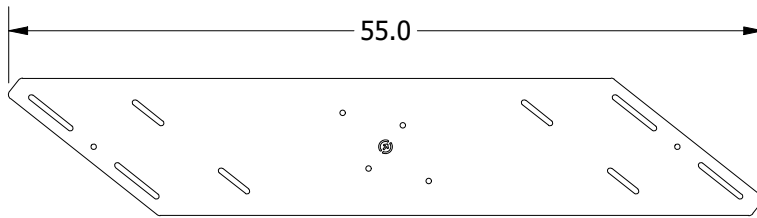
CS-44002



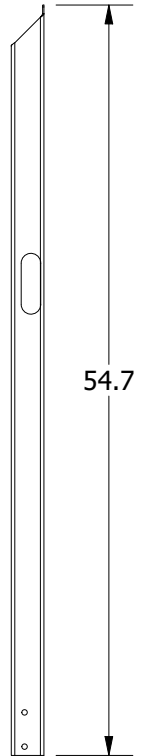
CS-44047



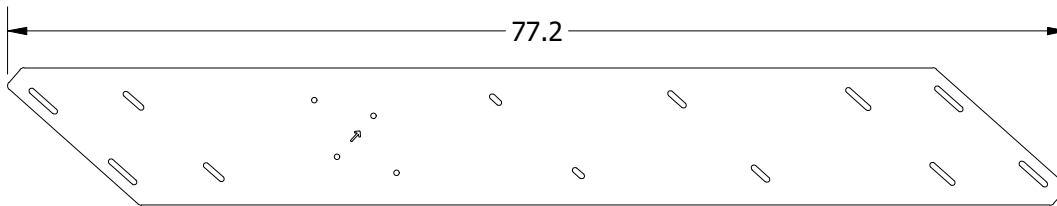
CS-F40001



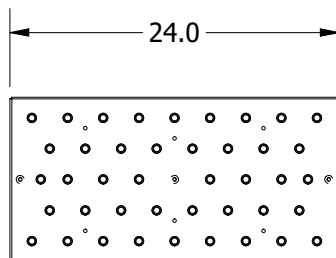
CS-44048



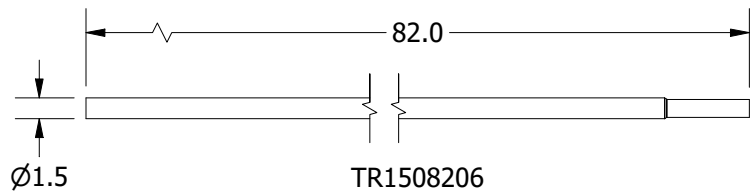
CS-F40011



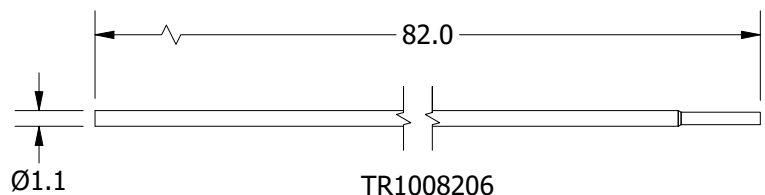
CS-44045



CS41224



TR1508206

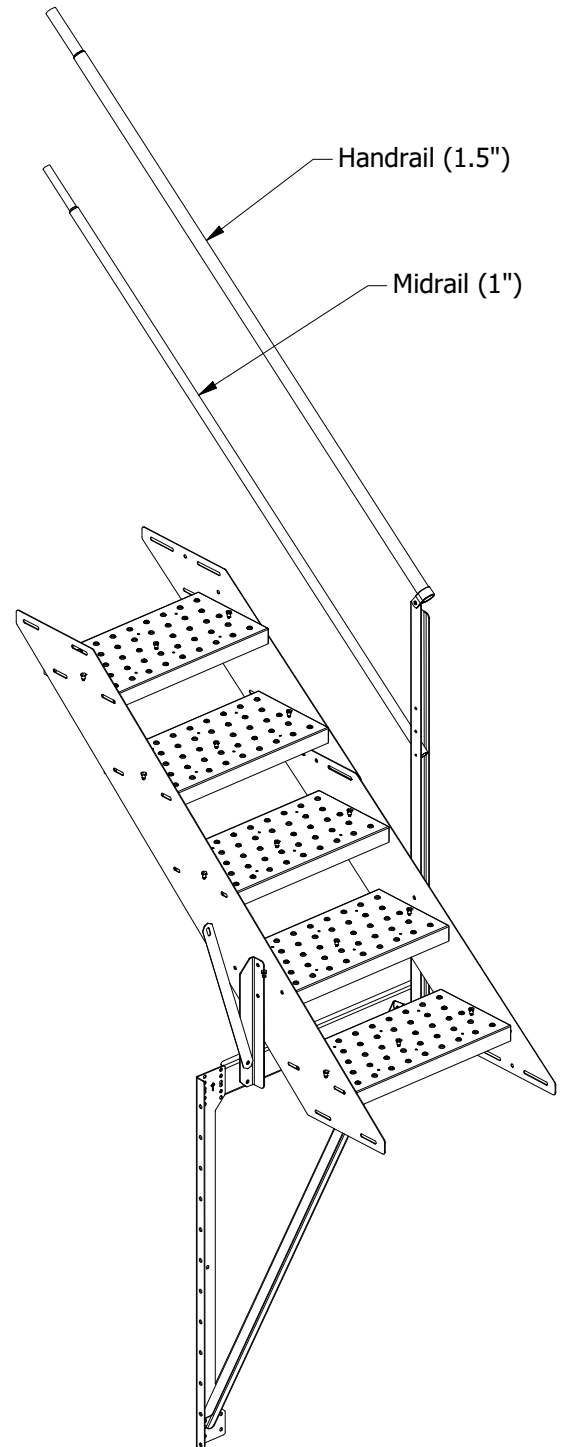



TR1008206

Installing Handrails

Using a Tube Roller Former as shown in the picture, curve all rails to fit the diameter of the bin.

The swaged ends of the rails should point up the stairs.



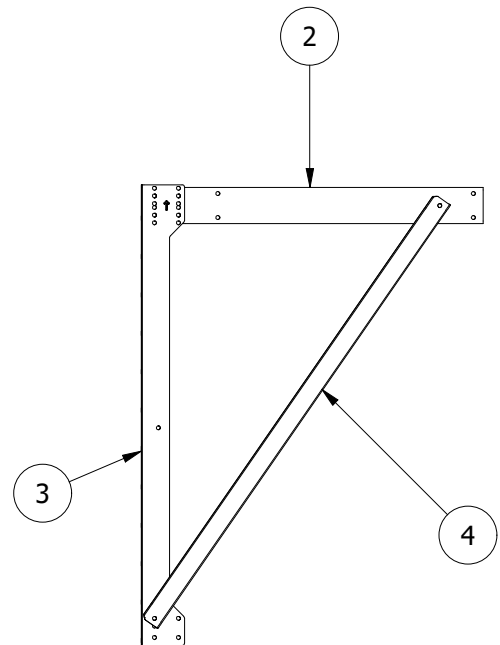
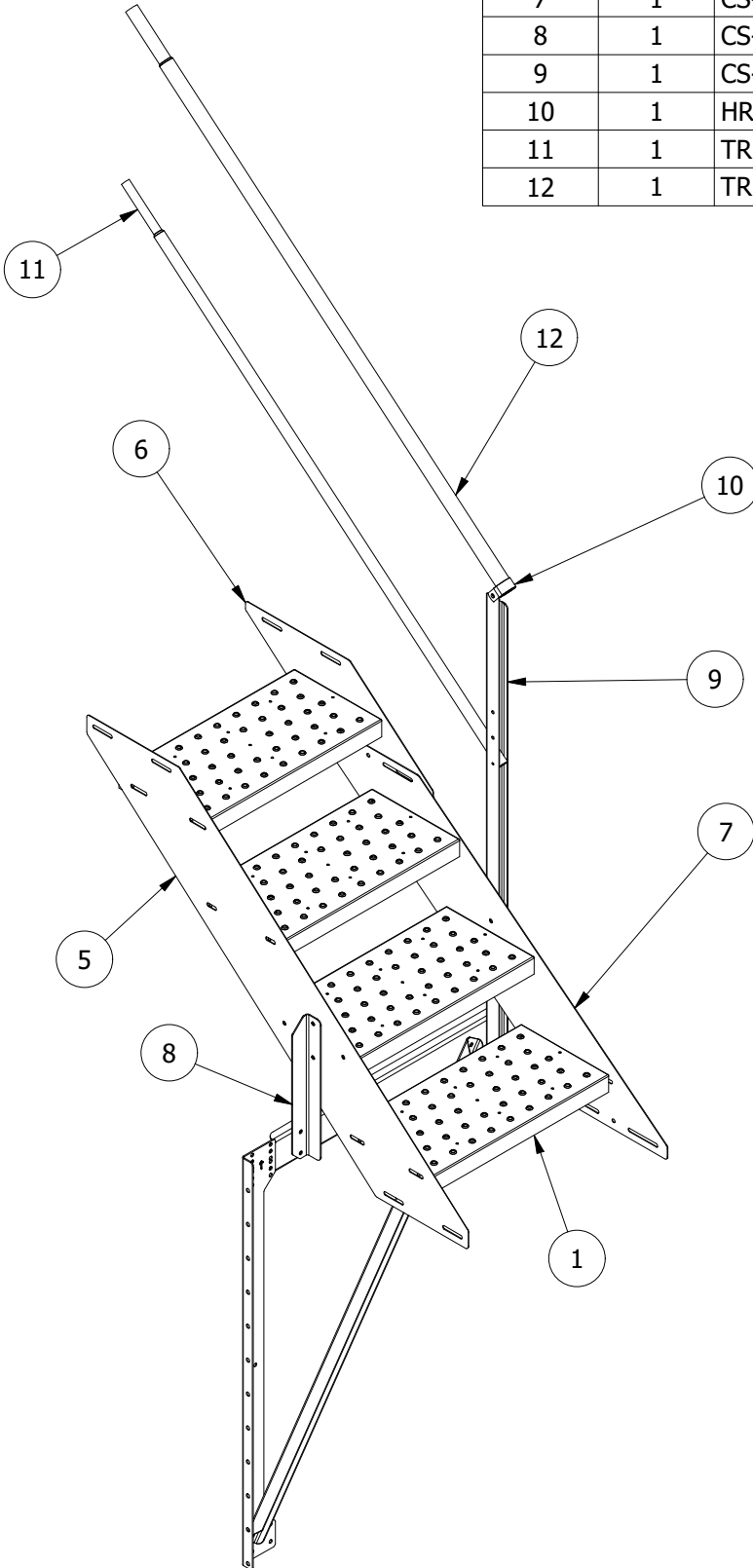
For more information and instructional videos on handrail installation and using a tube roller, go to our website at [greenestairs.com](https://www.greenestairs.com) and look for the  YouTube channel link.

**Parts List, CF4404
C-Series Farm 44"
4 Step Stair Section**

Used after top platform

PARTS LIST

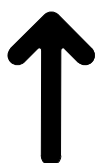
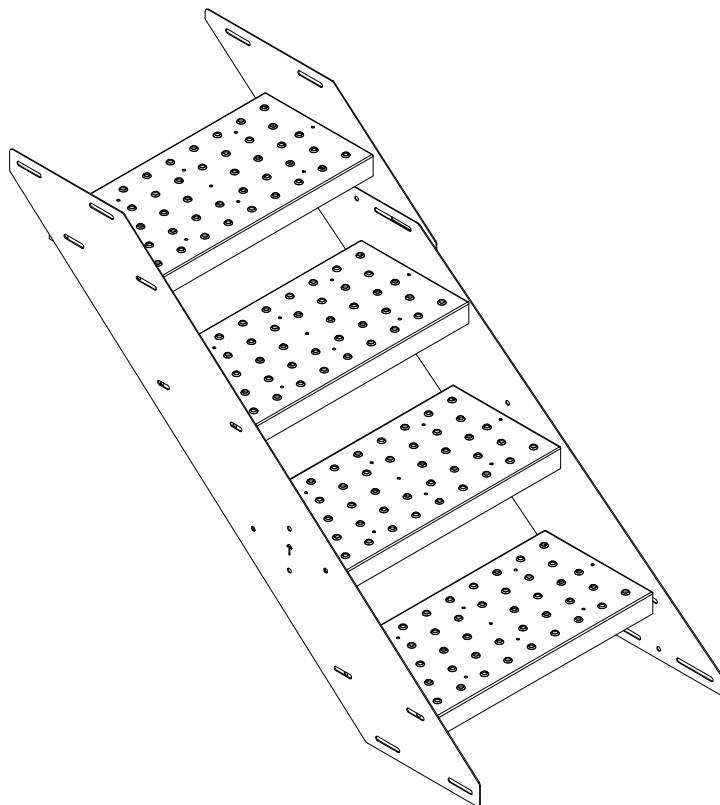
ITEM	QTY	PART NUMBER	DESCRIPTION
1	4	CS41224	Tread Step 24 x 12 Assemble
2	1	CS-40002	Channel, Crossbar
3	1	CS-44001	Bracket, Wall, 44" Ring
4	1	CS-44002	Channel, Brace
5	1	CS-44044	Siderail, Inside, 4 Step
6	1	CS-44046	Siderail, Outside, 1 Step
7	1	CS-44048	Siderail, Outside, 3 Step
8	1	CS-F40001	Post, Stair, Inside
9	1	CS-F40011	Post, Stair, Outside, 2 rail
10	1	HRC1500	Handrail Clamp for 1.5 in
11	1	TR1008206	82 in 1 in dia tubing 6 in Swage
12	1	TR1508206	82 in x1.5 in Railing 6 in Swage



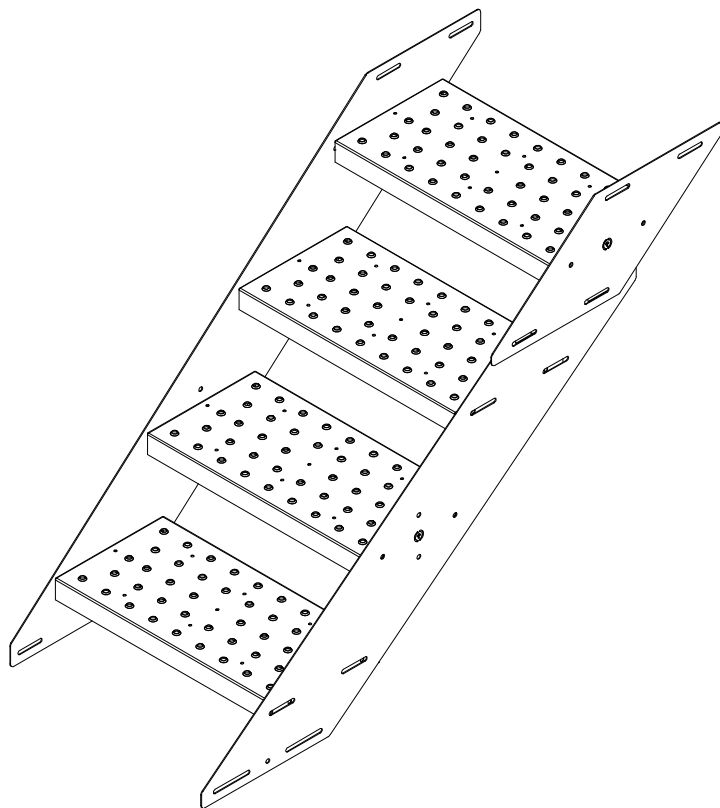
**CF4404 C-Series Farm 44"
4 Step Stair Section**

PARTS LIST			
ITEM	QTY	PART NUMBER	DESCRIPTION
1	4	CS41224	Tread Step 24 x 12 Assemble
2	1	CS-44044	Siderail, Inside, 4 Step
3	1	CS-44046	Siderail, Outside, 1 Step
4	1	CS-44048	Siderail, Outside, 3 Step

On the CF4404 stair section,
the inside siderail is a one piece 4-step,
the outside siderail is a two piece, 3-step and 1-step.

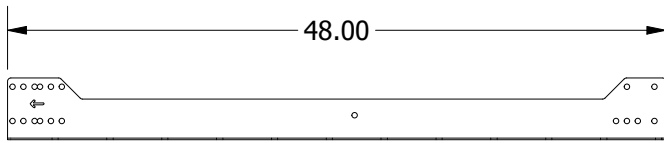


Arrow on Inside Siderails
Arrows Always Face UP

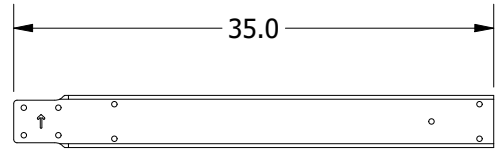


Arrow & Circle on Outside Siderails
Arrows Always Face UP

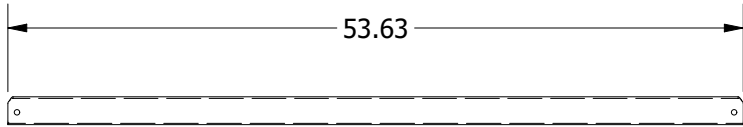
CF4404 Parts ID



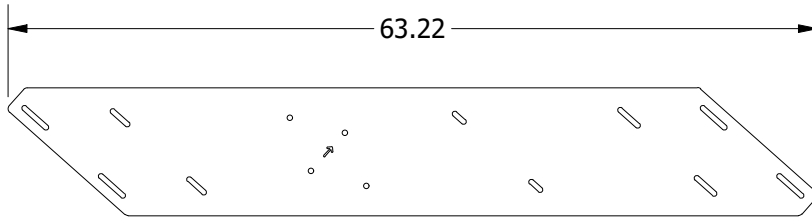
CS-44001



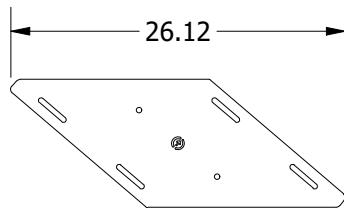
CS-40002



CS-44002



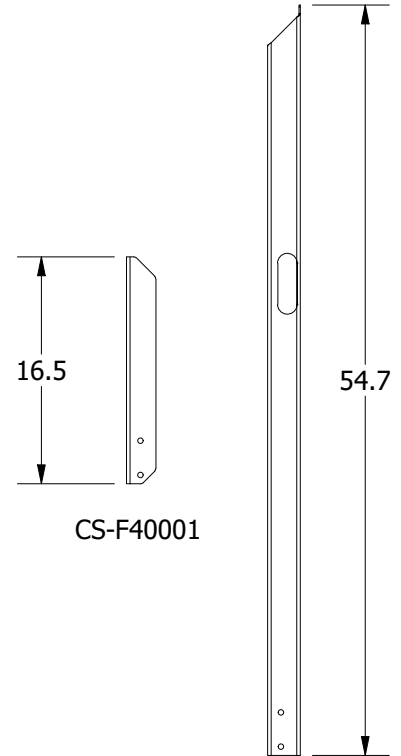
CS-44044



CS-44046

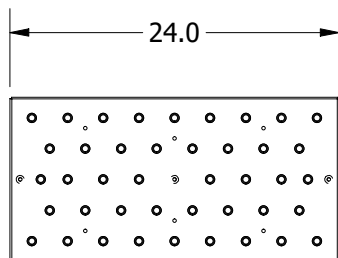


CS-44048

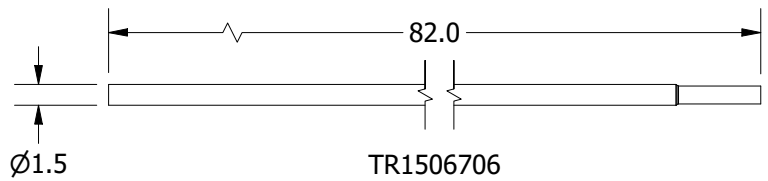


CS-F40001

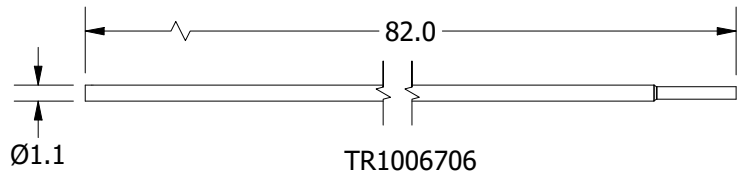
CS-F40011



CS41224



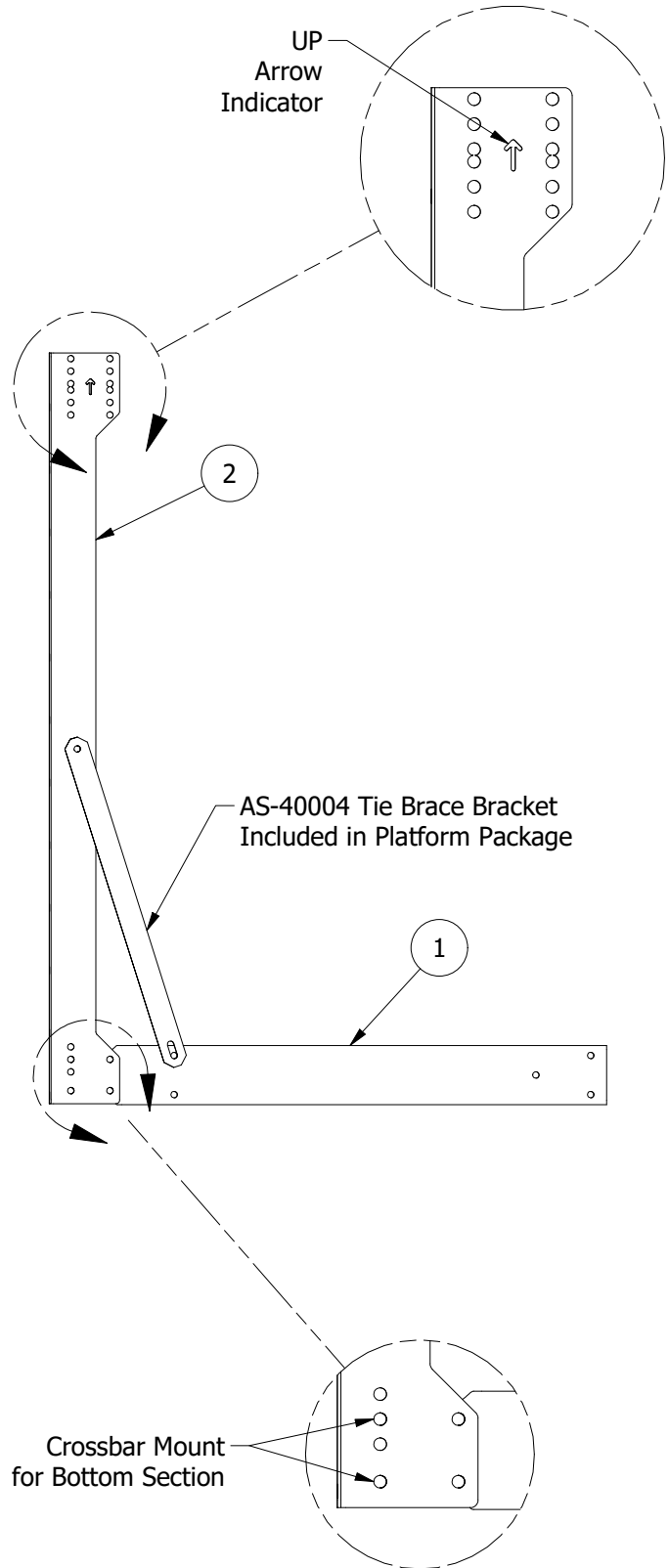
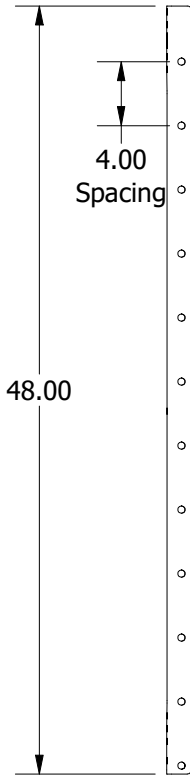
TR1506706



TR1006706

**A-Frame
Bottom Section**

PARTS LIST			
ITEM	QTY	PART NUMBER	DESCRIPTION
1	1	CS-40002	Channel, Crossbar
2	1	CS-44001	Bracket, Wall, 44" Ring



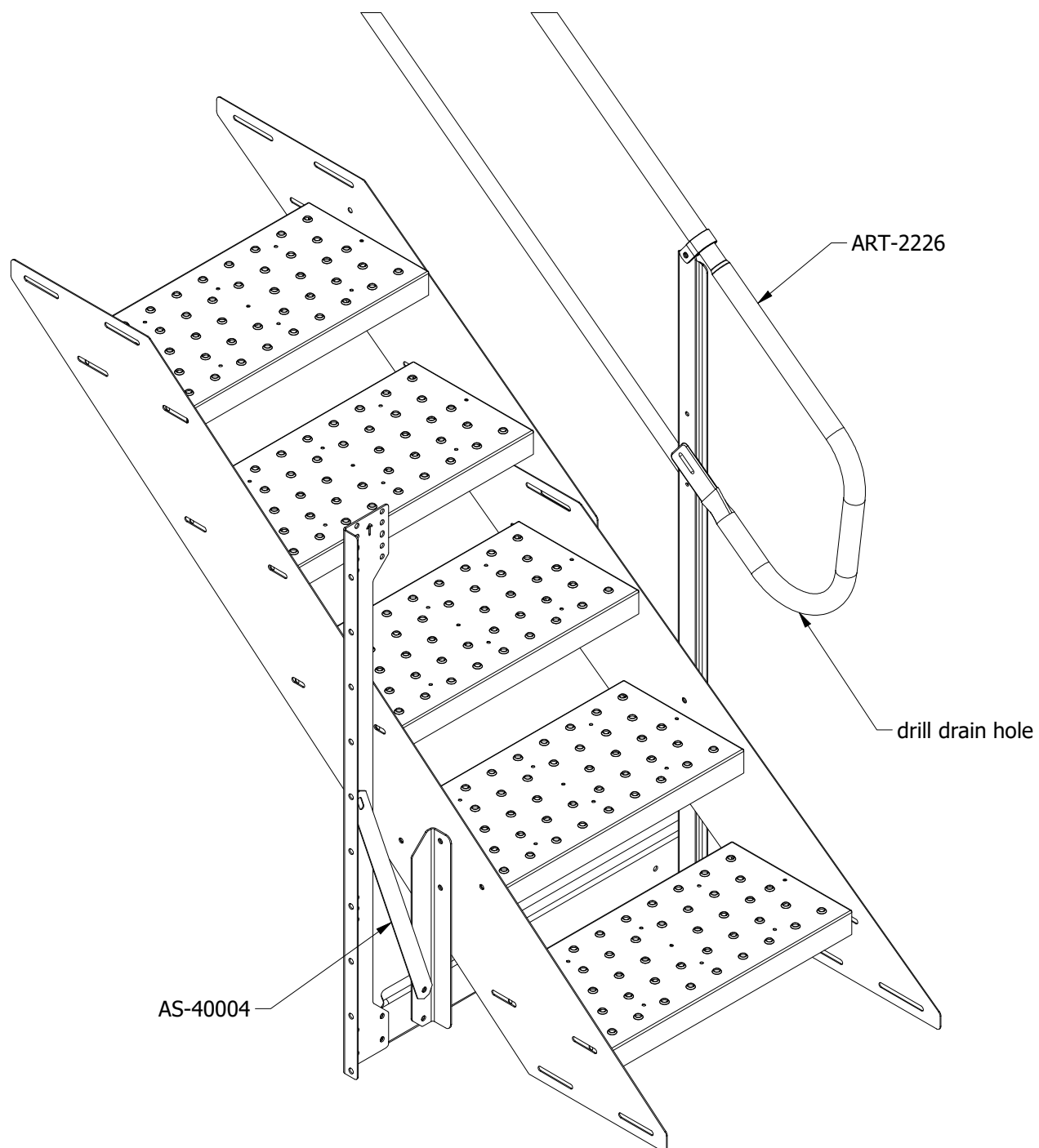
Bottom Stair Section Assembly

The AS-40004 tie brace and ART-2226 bottom end rail are included in the stair platform package.

Attach the tie brace to the inside post and field drill and bolt to the wall bracket as shown.

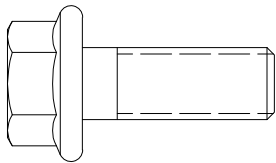
Install the bottom end rail into the stair handrail. Attach the flattened end to the stair post as shown.

Drill hole at lowest point for drainage

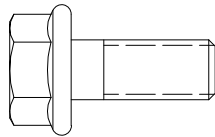


Hardware

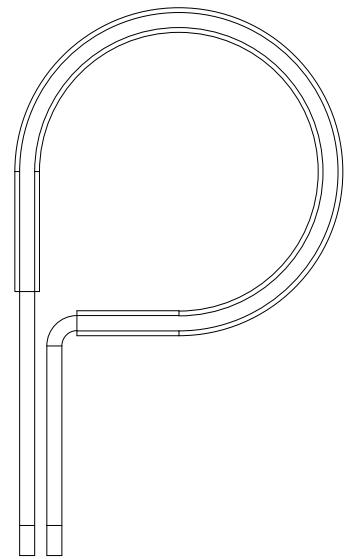
Hardware List	
ITEM	DESCRIPTION
3/8 x 1 Bin Bolt	3/8"-16 x 1" Bin Bolt
PC-1500	1.5" friction Pipe Cap
PC-1000	1" friction Pipe Cap
3/8-16SFN	3/8"-16 Whiz Lock Nut
3/8-16x1SFB	3/8"-16 x 1" Flange Bolt
5/16-18SFN	5/16"-18 Whiz Lock Nut
5/16-18x3/4FB	5/16"-18 x 3/4" Flange Bolt
FloorScrews	#12-14 x 3/4" Screw
1/4-14x1STS	1/4"-14 x 1" Self Tap Screw
HRC1500	Handrail Clamp for 1.5 in



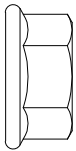
3/8"-16 x 1" Flange Bolt



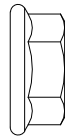
5/16"-18 x 3/4" Flange Bolt



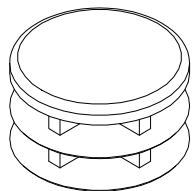
Handrail Clamp for 1.5 in



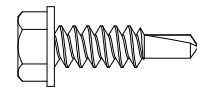
3/8"-16 Whiz Lock Nut



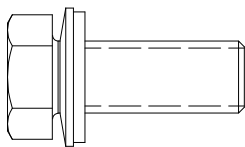
5/16"-18 Whiz Lock Nut



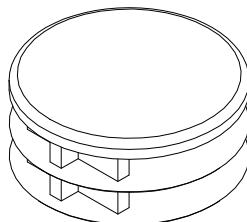
PC-1000 Pipe Cap



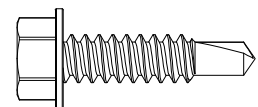
#12-14 x 3/4" Screw



3/8"-16 x 1" Bin Bolt



PC-1500 Pipe Cap



1/4"-14 x 1" Self Tap Screw