

# TWO-WAY CLEANOUT

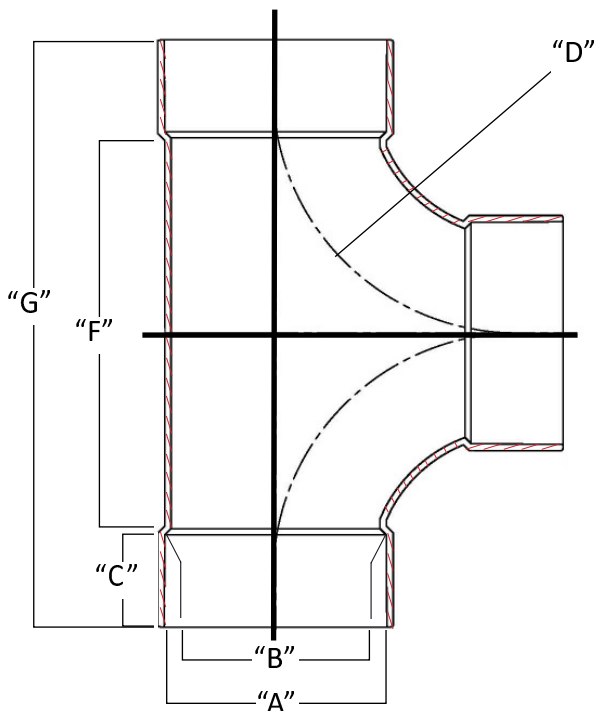
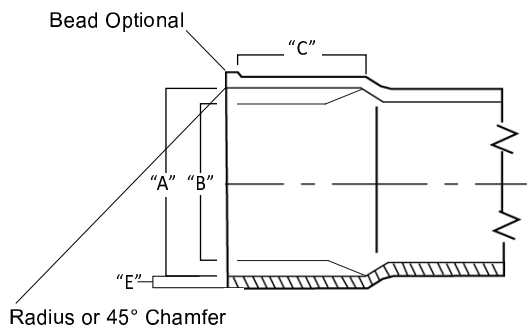
# TECHNICAL INFORMATION

### Fittings Socket Dimensions - Inches

Nominal Size	A	B	C
4"	4.235±0.009	4.210±0.009	1.75
6"	6.305±0.011	6.270±0.011	3.000

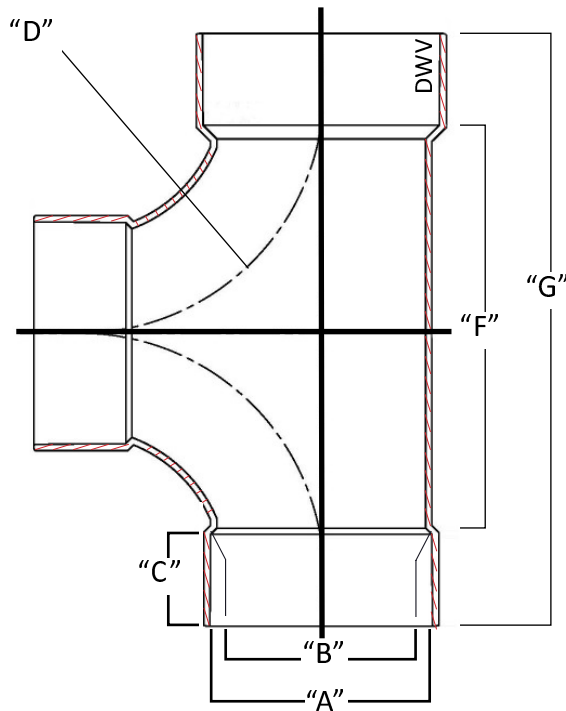
### Pipe Dimensions Minimum Wall Thickness

Outside Diameter		SDR 35	
Nominal Size	Average	Tolerance on Average	E
4"	4.215	±0.009	0.120
6"	6.275	±0.011	0.180



**Two-Way Cleanout**  
Sewer Hub x Sewer Hub x Sewer Hub

Part #	Size	Desc.	D	F	G
V-2204	4"	H x H x H	4.796R	7.500	11.000



**Two-Way Cleanout**  
Sewer Hub x Sewer Hub x DWV\* Hub

Part #	Size	Desc.	D	F	G
V-2214	4"	H x DWV x H	4.796R	7.500	11.00

\*DWV Hub conforms to ASTM D-2665