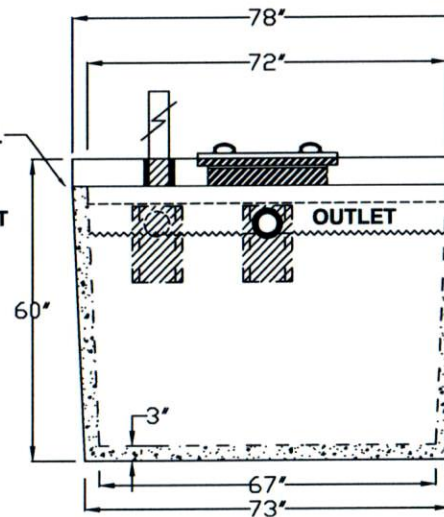
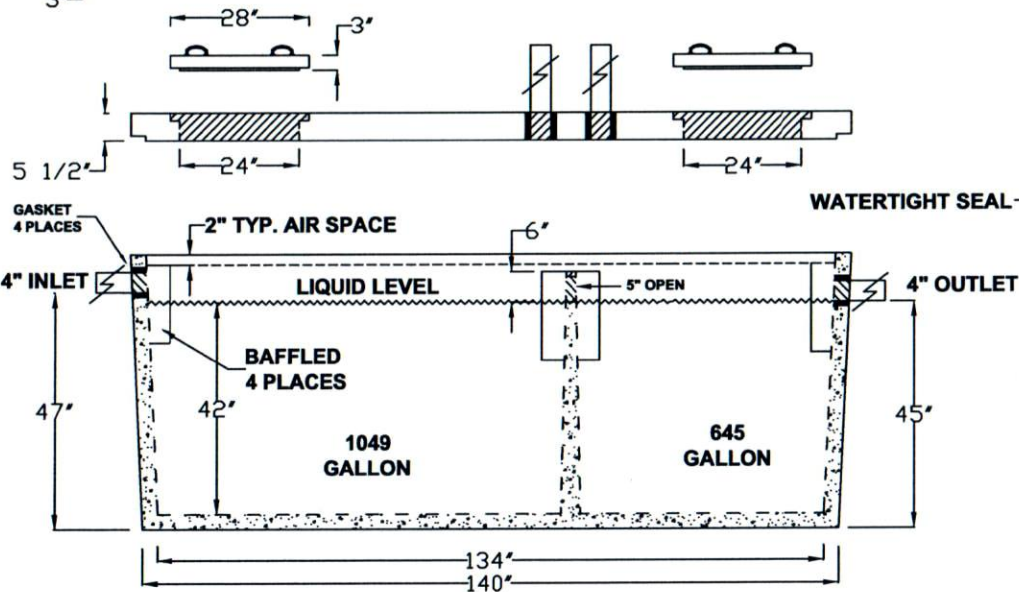
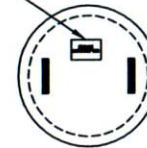


4" X 6"
APPROVED
LABEL



GROVE CONCRETE & SUPPLY, INC.
18426 DURAND AVENUE P.O. BOX 363
UNION GROVE, WISCONSIN 53182
(262) 878-2030 FAX (262) 878-4222
GroveConcrete.com

NOTES:

1. GALLONS PER INCH:
1049 COMPARTMENT - 24.98 gal/in.
645 GALLON COMPARTMENT - 15.36 gal/in.
2. REINFORCED CONCRETE 4,000 PSI MIN.
3. (GASKETED 4" OPENINGS) PRESS SEAL, TUFF TITE OR EQUAL.
4. ALL BAFFLES & FILTERS TO BE INSTALLED TO MEET STATE & LOCAL CODES.

**1,049 / 645 GALLON (1,725)
SEPTIC-PUMP, SEPTIC, HOLDING,
GREASE TANK**

**FOR ANY MODIFICATIONS CALL
GROVE CONCRETE**

DRAWN BY: RAY		DATE: 12/20/13
SCALE: NTS	EST. WIEGHT: 17,000 LBS.	VERSION: 00001
DWG. # TNK-1049-645		ILL. APPROVAL # 114 STATE OF WIS. APPROVED

THIS DRAWING AND THE INFORMATION CONTAINED HEREIN IS THE EXCLUSIVE PROPERTY OF GROVE CONCRETE & SUPPLY, INC. AND SHALL NOT BE REPRODUCED, USED, OR DISCLOSED TO OTHERS EXCEPT AS AUTHORIZED THROUGH WRITTEN CONCENT FROM GROVE CONCRETE & SUPPLY, INC.