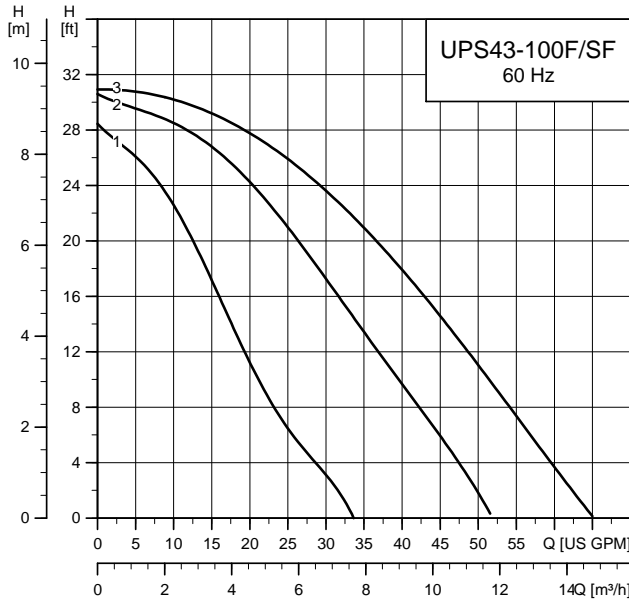
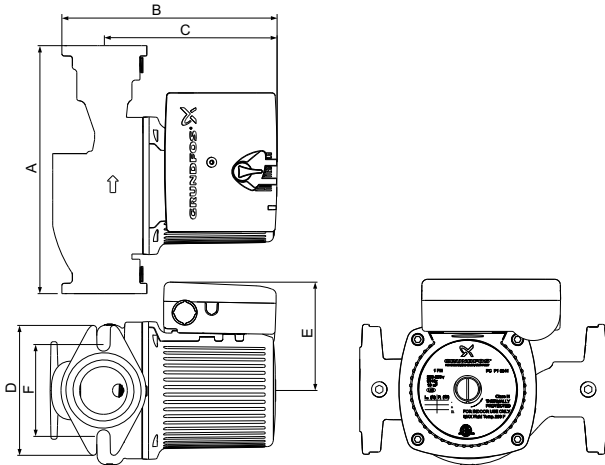


UPS 43-100 F/SF



TM04 5464 4412

UPS 43-100 F/SF



TM04 6015

Flow range: 0-65 gpm (0-14.8 m³/h)
 Head range: 0-31 ft (9.5 m)
 Motors: 2-pole, single-phase
 Max. liquid temperature: 230 °F (110 °C)
 Min. liquid temperature: 36 °F (2 °C)
 Max. system pressure: 145 psi (10 bar)

Model	Speed	Volts	Amps	Watts	Hp	Capacitor
UPS 43-100 F/SF	3	115	3.5	370	1/2	40µF/180 V
	2		3.1	335	1/2	40µF/180 V
	1		2.5	265	1/2	40µF/180 V
	3	208	1.7	350	1/2	10µF/400 V
	2		1.5	310	1/2	10µF/400 V
	1		1.2	250	1/2	10µF/400 V
	3	230	1.7	370	1/2	10µF/400 V
	2		1.5	335	1/2	10µF/400 V
	1		1.2	265	1/2	10µF/400 V

Approvals



Model type	Product number		Dimensions [inches (mm)]						Connection type and size	Shipping weight [lbs (kg)]
	115 V	208 - 230 V	A	B	C	D	E	F		
UPS 43-100 F	95906636	95906637	8.50 (216)	6.69 (170)	5.13 (130)	4.75 (121)	3.19 (81)	3.44 (87)	GF 40/43 flange (2) 1/2" dia. bolt bores	18.47 (8.4)
UPS 43-100 SF	95906638	95906639	8.50 (216)	6.69 (170)	5.13 (130)	4.75 (121)	3.19 (81)	3.44 (87)	GF 40/43 flange (2) 1/2" dia. bolt bores	18.47 (8.4)

Note: Dimensions in inches unless otherwise noted.