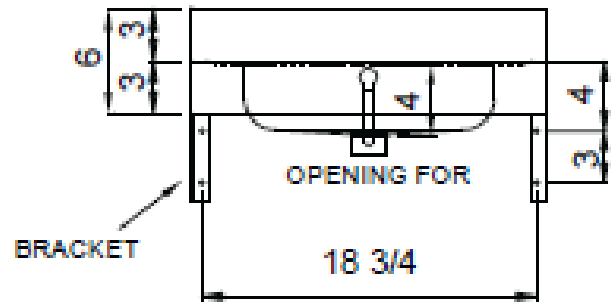
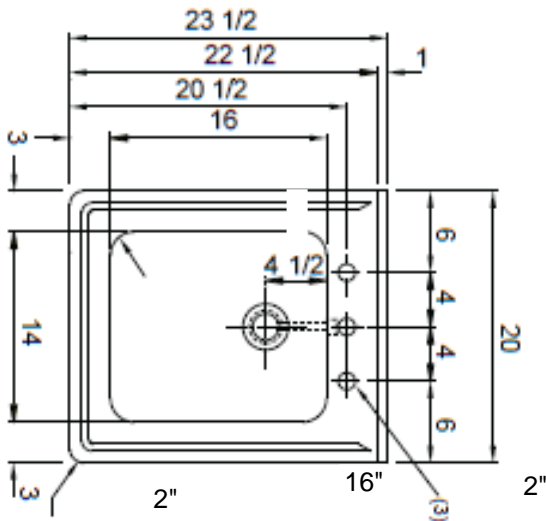
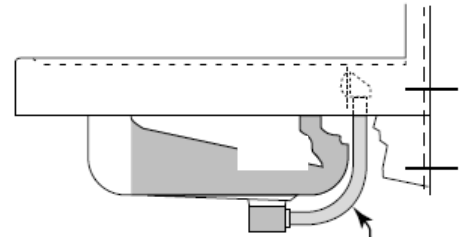


WICKETTS STAINLESS SPECIFICATION

ADA LAVATORY



Model Number
W-23520-ADA

Engineering Specification: 14 gauge, type 304 stainless steel single wash sink. Exposed surfaces polished to a satin finish. Supported on (2) wall brackets and clips.

Wicketts Stainless, LLC.
2618 San Miguel Dr. Bldg. # 376
Newport Beach, CA 92660
Tel: 951-858-2548
Fax: 951-638-9059
sales@wickettsstainless.com
www.wickettsstainless.com



WARNING:
This product can expose you to chemicals, which are known to the State of California to cause cancer. For more information, visit www.P65Warnings.ca.gov.

Approved for Manufacturing
Company: _____
Signature: _____
Print: _____ Date: ____/____/____