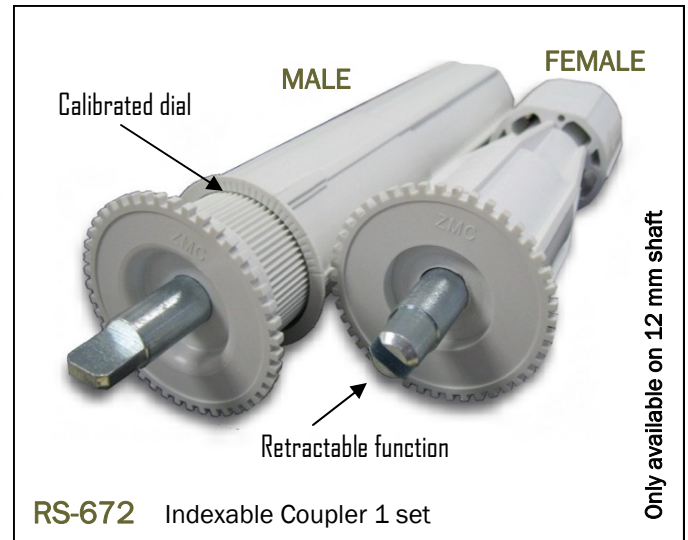
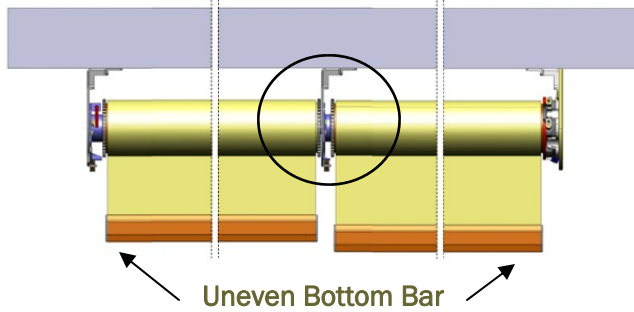


# Indexable Coupler



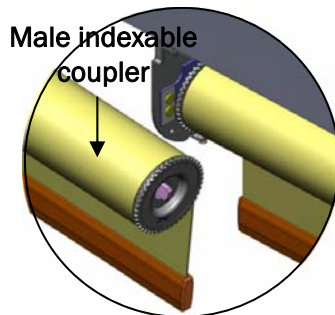
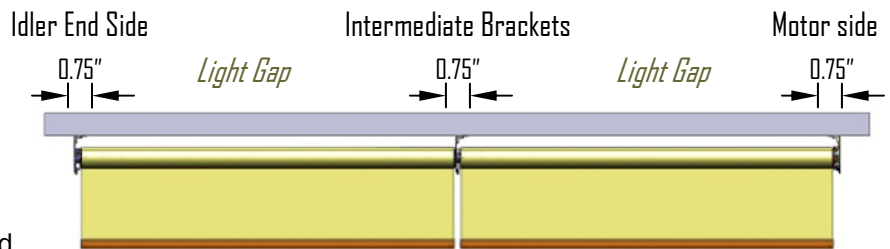
For Somfy ST/LT 50 Motors

## SIMPLE AND EFFECTIVE WAY OF LEVELLING THE BOTTOM BAR



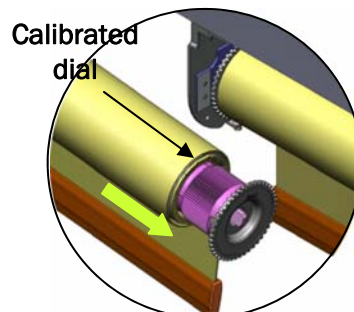
## Features and benefits :

1. Calibrated dial as a guide. (male coupler)
2. Maintains equal light gap throughout the shade
3. Retractable function for easy installation (female coupler).
4. Fits 2" Motor Tube, 2" Grooved Motor and 2-3/8" round tube.



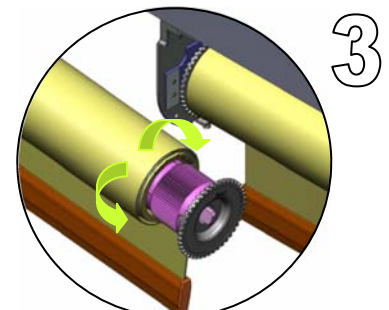
1

Simply disconnect male indexable coupler.



2

Slide the inner sleeve part out and take note of the alignment marks on inner and outer sleeves.



3

Index the inner sleeve and slide back into position

4

Reinstall coupler into bracket and connect the male and female coupler together

For more information please contact us at:

Tel: 1.905.856.3838 or 1.800.541.2557  
1.770.682.4548 (U.S. office)

Website: [www.zmc.ca](http://www.zmc.ca)  
E-mail: [contact@zmc.ca](mailto:contact@zmc.ca)

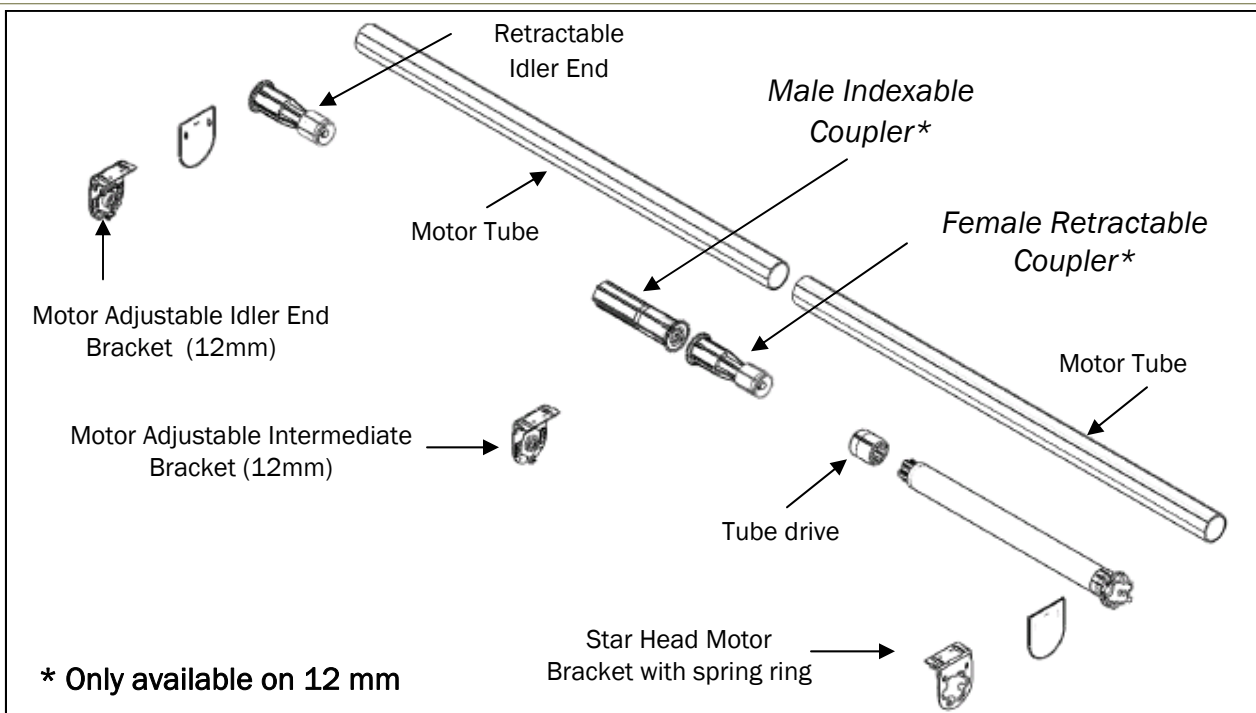
For more information see back page

# Indexable Coupler



For Somfy ST/LT 50 Motors

Installation Instructions



Bracket, tube and drives to be used with Indexable Coupler

IDLER END BRACKETS	INTERMEDIATE BRACKETS	MOTOR SIDE BRACKETS
<p>4" Adjustable idler end bracket (12 mm bearing)</p>	<p>4" Adjustable Intermediate fascia bracket (12mm bearing)</p>	<p>4" Star Head Fascia Motor Bracket with spring ring</p>
<p>Motor Adjustable Idler End Bracket (12 mm bearing)</p>	<p>Motor Adjustable Intermediate bracket (12 mm bearing)</p>	<p>OR Star Head-Motor Bkt      Flat Head Bkt for round head-motors</p>
<p>7" Adjustable Fascia Bracket for Somfy (5mm lower) LEFT</p>	<p>7" Adjust. Intermediate Fascia (5 mm lower) (12 mm bearing)</p>	<p>7" Fascia Bracket + Insert Plate for Star Head Motor</p>

<p><b>RS-014</b> 2" Motor Tube**</p>	<p><b>RS-013</b> 2" Grooved Motor Tube    <b>RS-B47</b> 2" Grooved Tube Drive</p>	<p><b>RS-033</b> 2-3/8" Motor Tube    <b>RS-B46</b> 2-3/8" Tube Drive</p>
--	---	---

\*\* 2" Motor Tube drive supplied by Somfy Motors Inc. [www.somfy.com](http://www.somfy.com)