



WE THINK GREEN!



TECHWEST INC

2024 RETAIL CATALOG

TERMS AND CONDITIONS

Prices are subject to change without notice.

No returns are approved without first acquiring a return authorization (R.A.) number. All returns are subject to a 15% restock charge. No returns are authorized after 60 days from the date of shipment.

Payment terms are cash with order or a net payment of 30 days on approved credit. A finance charge of 1 1/2% per month will be charged to an account over 30 days.

A credit line must be established on all open accounts.

Any customer who has allowed their account to become delinquent shall pay Tech West for all legal costs incurred during the necessary collection process.

Any customer allowing their account to become delinquent for extended periods beyond our normal terms will lose their privilege of selling the Tech West product line.

WARRANTY

Warranty service must be obtained through a Tech West, Inc. authorized dealer who carries the Tech West, Inc. product line for which warranty service is requested. It is the retail purchaser's obligation to arrange for delivery, at the retail purchaser's expense, of a product through its authorized dealers for warranty service. It is also the retail purchaser's obligation to comply with the warranty service instructions provided either by Tech West, Inc. or its authorized dealer.

Tech West warrants the original retail purchase within the warranty period of such specified product at Tech West, Inc.'s option to repair or replace components of dental products manufactured by Tech West, Inc. that are defective in material or workmanship under normal use and service. Tech West, Inc.'s obligation under this limited warranty is limited to the repair or replacement of the applicable components.

All part and component returns and replacement equipment under warranty require a Return Materials Authorization (RMA). Warranty returns must be received within 15 days of the RMA issue date. Items returned without an RMA, or included with other products for which an RMA has been issued, will be returned to the customer and no credit will be warranted.

Tech West, Inc. is not liable for indirect or consequential damages or loss of any nature in connection with this equipment. Warranty does not cover dealer labor, or shipping and handling charges inbound to Tech West, Inc. Warranty credit will not be applied to product returns that exhibit damage due to shipping, misuse, careless handling, or repairs by Dealer or unauthorized personnel. Credit, or partial credit, will not be issued until products/parts have been received and assessed. Any product is installed or serviced by anyone other than an authorized dealer or service personnel will void all possible warranties.

ALL PARTS HAVE A 90-DAY WARRANTY UNLESS OTHERWISE SPECIFIED.

WARRANTY FOR ALL EXPORT PRODUCT

All Tech West, Inc. products, i.e., vacuums, vacuum systems, and air compressors have a twelve-month or one-year manufacturer's warranty from the date of installation. Our warranty covers only defective parts covered under the warranty period. Labor or other services are excluded.

Warranty does not cover any misuse or improper installation of products. All installation(s) should be installed according to manufacturer installation guidelines. All warranties are evaluated before approval. Improper installations will void all warranties.

All warranty claims export end-users must contact their export distributors.

The terms, conditions, and warranties contained herein supersede all previous terms, conditions, and warranties, written, expressed, or implied, and are in effect January 1, 2024.



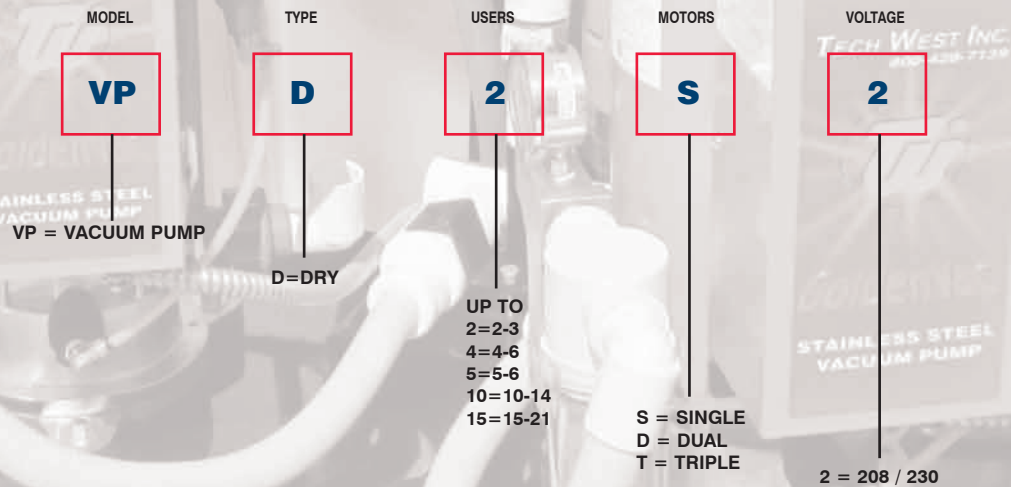
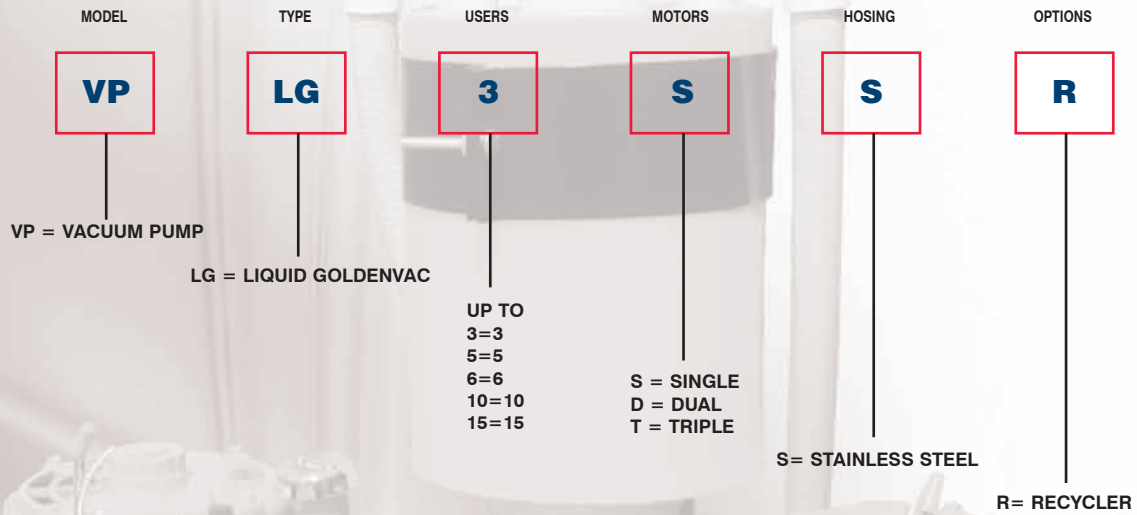
TECHWEST INC

Table of Contents

Vacuum Pump Legend	pg. 2
EcoVac Systems	pg. 3
GoldenVac Systems	pg. 4
Evacuation System Cleaners	pg. 5
Air Compressor Legend	pg. 6
Elite Series Oilless Compressors	pg. 7
The Elite Series Oilless Rocky Compressors	pg. 8
Control Panels	pg. 9
Equipment & Accessories	pg. 10-12
Parts List	pg. 13-19

Remittance Address: 2657 N. Argyle Ave. • Fresno, CA 93727
Shipping Address: 2625 N. Argyle Ave. • Fresno, CA 93727
(559) 291-1650 • (800) 428-7139 • FAX (559) 348-9677
www.tech-west.com

MODEL NUMBER LEGENDS FOR VACUUM PUMPS



TECH WEST ECOVAC VACUUM PUMP

Our EcoVac system provides the advantages of proven technology, durable construction, quiet operation, and oil-free performance with the latest in water and energy-saving features. This is not only important to you as an environmentally responsible business owner, but it also prepares your practice for the upcoming change to metered water usage in many areas of the country. We utilize a Variable Frequency Drive (VFD) to control the vacuum levels. With no suction being used, the motor is running one-third the speed and using very little power. Every time a suction hose is being used the motor automatically speeds up to maintain constant suction.



Maintenance-free unit with no traps to clean, no oil to check or change. Truly a ZERO maintenance machine.

ECOVAC SYSTEMS

MODEL NUMBER	MAX USERS	# OF HEADS	TOTAL H.P.	CFM @ 8 HG	TANK GALLONS	VOLTAGE	TOTAL AMPS	BREAKER SIZE	DB(A)	EQUIP. WEIGHT	EQUIP. HEIGHT	EQUIP. WIDTH	EQUIP. DEPTH	SHIPPING WEIGHT	SHIPPING HEIGHT	SHIPPING WIDTH	SHIPPING DEPTH	LIST PRICE
VPD2S2	2-3	1	2	20	14	208/230	5	20	60	139	52	23	20	220	44	42	31	14,584
VPD2S2-NT	2-3	1	2	20	N/A	208/230	5	20	60	139	52	23	20	220	44	42	31	13,655
VPD5S2	5-7	1	2	45	14	208/230	7	20	62	139	52	23	20	220	44	42	31	16,104
VPD5S2-NT	5-7	1	2	45	N/A	208/230	7	20	62	139	52	23	20	220	44	42	31	15,324
VPD4D2	4-6	2	4	40	14	208/230	10	2X20	62	282	39	40	20	350	44	42	31	26,674
VPD10D2	10-14	2	4	90	30	208/230	14	2X20	62	282	39	40	20	325	44	43	31	30,489
VPD10D2-14	10-14	2	4	90	14	208/230	14	2X20	62	350	39	43	31	350	45	31	43	30,489
VPD10D2-NT	10-14	2	4	90	N/A	208/230	14	2X20	62	350	45	43	31	350	45	31	43	28,040
VPD15T2	15-21	3	6	110	40	208/230	21	3X20	62	402	60	40	20	455	44	42	31	46,293

DVU-S Upgrade 2-3 user single to 5-7 user: 2,359

DVU-D Upgrade 4-6 user dual to 10-14 user: 4,720

(VPD10D2 has a 30 gallon tank. Tank weight: 157 lbs. Tank dimensions: 27"W x 28"D x 61"H)

FDA
RECOGNIZED

5 YEAR WARRANTY OR 5000 HRS WHICH EVER COMES FIRST

Meets or exceeds NFPA applicable guidelines

www.tech-west.com

TECH WEST

GOLDENVAC STAINLESS STEEL VACUUM PUMP



Tech West GoldenVac has proved to be the industry leader in design and performance. A vacuum system you can rely on for years to come. All GoldenVac vacuum pumps have an exclusive warranty with 10 years on all stainless steel pump components, 5 years on the motor shaft and all other components have 3 years. The GoldenVac vacuum pumps have an investment cast stainless steel impeller with a radical new design that improves performance by 20% over other pumps. The stainless steel castings provide maximum durability to prevent wear from air abrasion and ceramic particles, or hard water conditions. All motors are thermally protected and are cap-start, and cap-run. This will lower the electrical consumption of the pump. Water recyclers and air-water separators are available for all pumps. The GoldenVacs are available in single, dual, or triple configurations. Tech West will provide plumbing and electrical designs upon request.

GOLDENVAC SYSTEMS

MODEL NUMBER	# OF USERS	VOLTAGE	BREAKER SIZE	H.P.	AIR/WATER SEP	DB(A)	EQUIP. HEIGHT	EQUIP. DEPTH	EQUIP. WIDTH	EQUIP. WEIGHT	SHIPPING HEIGHT	SHIPPING DEPTH	SHIPPING WIDTH	LIST PRICE	
VPLG3SS	3	115/230	20	1	NO	70	18	13	13	73	22	18	18	85	4,054
VPLG3SSR	3	115/230	20	1	NO	70	18	13	13	75	22	18	18	87	4,338
VPLG5SS	5	208/230	20	2	NO	70	18	13	13	89	22	18	18	85	5,230
VPLG5SSR	5	208/230	20	2	NO	70	18	13	13	91	22	18	18	87	5,461
VPLG6D2	6	208/230	2X20	2X1	YES	72	30	20	28	197	34	21	37	210	8,646
VPLG6D2R	6	208/230	2X20	2X1	YES	72	30	20	28	200	34	23	37	212	9,306
VPLG10D2	10	208/230	2X20	2X2	YES	72	30	20	28	227	34	23	37	221	10,719
VPLG10D2R	10	208/230	2X20	2X2	YES	72	30	20	28	230	34	23	37	223	11,399
VPLG15T2	15	208/230	3X20	3X2	YES	74	30	20	41	213	34	23	49	298	15,745
VPLG15T2R	15	208/230	3X20	3X2	YES	74	30	20	41	215	34	23	49	300	16,847

WARRANTY: 10 YEARS ON STAINLESS STEEL PARTS, 5 YEARS ON MOTOR SHAFT, 3 YEARS ON ALL OTHER COMPONENTS

FDA
RECOGNIZED

Meets or exceeds NFPA applicable guidelines

TECH WEST EVACUATION SYSTEM CLEANER



Evacuation System Cleaner

The amount of waste residue (Biofilm/plaque) slogging down your evacuation system depends on the age of your facility, water supply pH, chemical cleaner in use, and how much/often it was used. The Restore Protocol will release the Biofilm/plaque material from the inside of your lines/pipes.

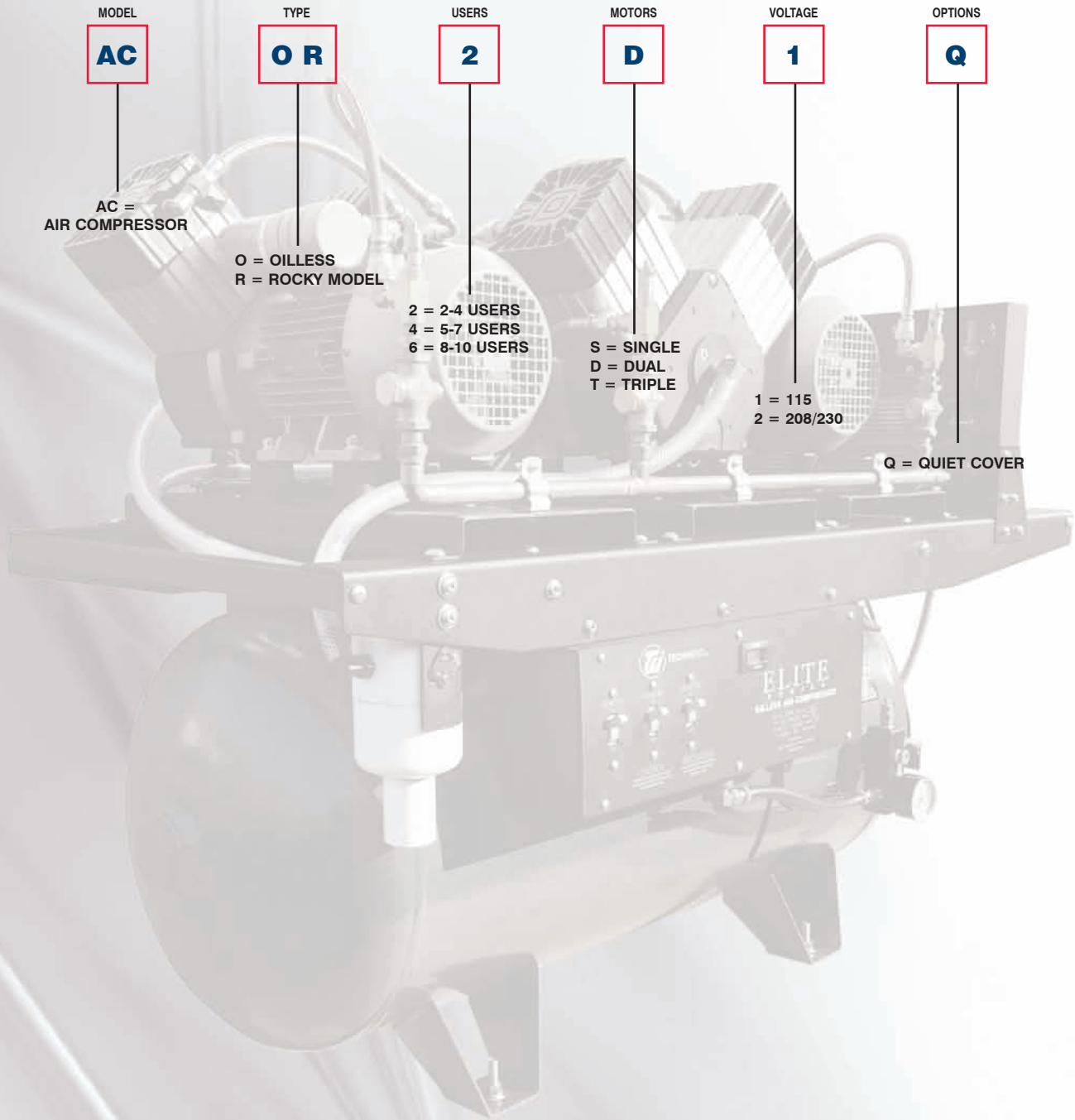
Tech West's Microbial Formula digests organic matter and solids which **GUARANTEES TO MAINTAIN SUCTION PERFORMANCE** and "ELIMINATE" Daily Trap Hand Cleaning. 100% All Natural & Biodegradable. Non-Foaming & SAFE for humans, animals, plants, and pipes.

EcoStar-eVac Cleaner comes in two different sizes and the initial amount used to restore the system depends on the age of the system. Detailed instructions are available upon request. It is recommended that EcoStar-eVac Cleaner be used to maintain your system once it is initially cleaned. This will insure cleanliness and long life of the system.

PART#	DESCRIPTION		LIST PRICE
ESC-16	EcoStar-eVac Cleaner	16 oz.	61
ESC-32	EcoStar-eVac Cleaner	32 oz.	107
ESC-KIT	EcoStar HVE & Si Dispenser	16 oz.	101

Note: It is recommended to use 4 oz / chair per month

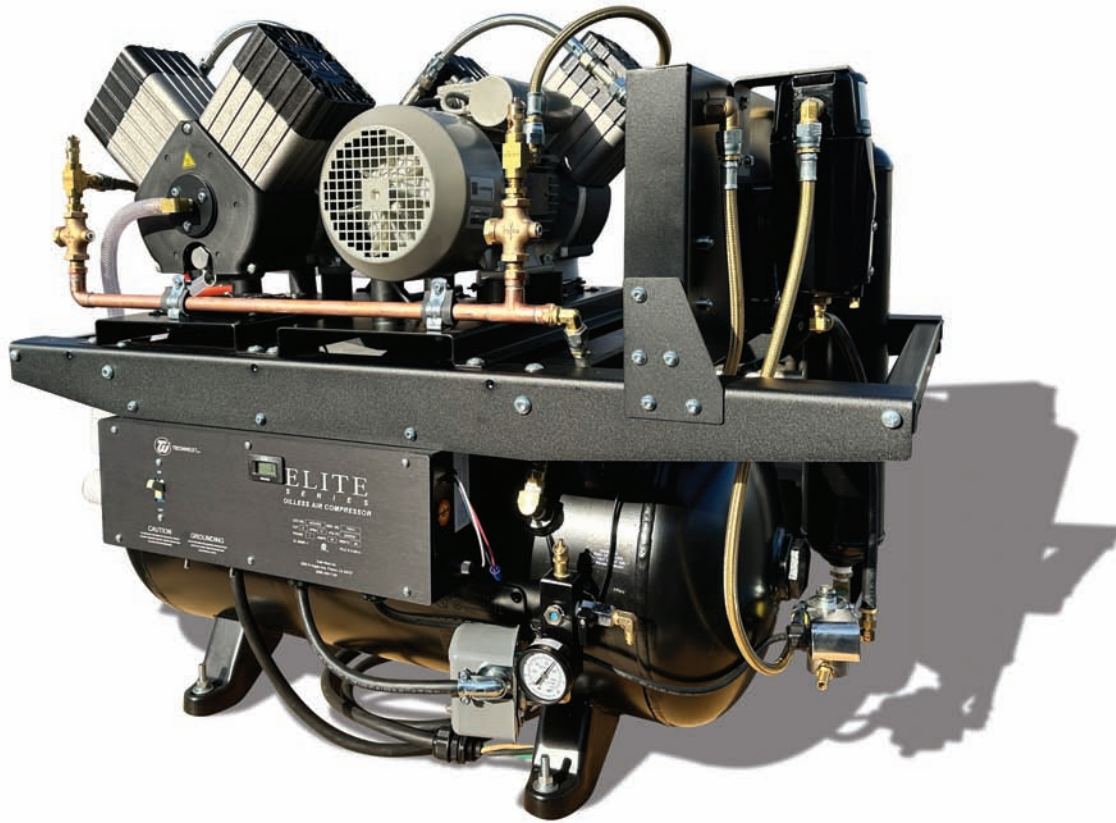
MODEL NUMBER LEGENDS FOR AIR COMPRESSORS



TECH WEST

ELITE SERIES ULTRA CLEAN OILLESS COMPRESSOR

Our Elite Series Oilless Air Compressor system provides the advantages of proven technology, durable construction, quiet operation, and oil-free performance with the latest in energy-saving features. This is important to you as an environmentally responsible business owner.



OILLESS AIR COMPRESSORS

MODEL NUMBER	MAX USERS	AIR DRYER	QUIET COVER	# OF HEADS	TOTAL H.P.	CFM	TANK GALLONS	VOLTAGE	TOTAL AMPS	BREAKER SIZE	DB(A)	EQUIP. WEIGHT	EQUIP. HEIGHT	EQUIP. WIDTH	EQUIP. DEPTH	SHIPPING WEIGHT	SHIPPING HEIGHT	SHIPPING WIDTH	SHIPPING DEPTH	LIST PRICE
ACO2S2	2-3	YES	NO	1	1.5	5.5	10	208/230	8	20	70	180	30	28	20.5	220	37	34	28	8,749
ESCRD-100	OPTIONAL QUIET COVER FOR THE ACO2S2										68	50	15	19	19	50	19	33	19	1,618
ACO4D2	5-7	YES	NO	2	3	11	20	208/230	16	30	72	248	34	38	22	335	44	42	30	13,886
ACO6T2	8-10	YES	NO	3	4.5	16.5	30	208/230	25.5	40	74	320	36	46	25	368	45	48	33	19,094
ESCD-100	QUIET COVER: OPTIONAL FOR THE ACO4D2										68	50	17	29	22	50	21	27	23	2,124

A 5 YEAR or 3500 HR MOTOR WARRANTY. All other components carry a 2 year warranty

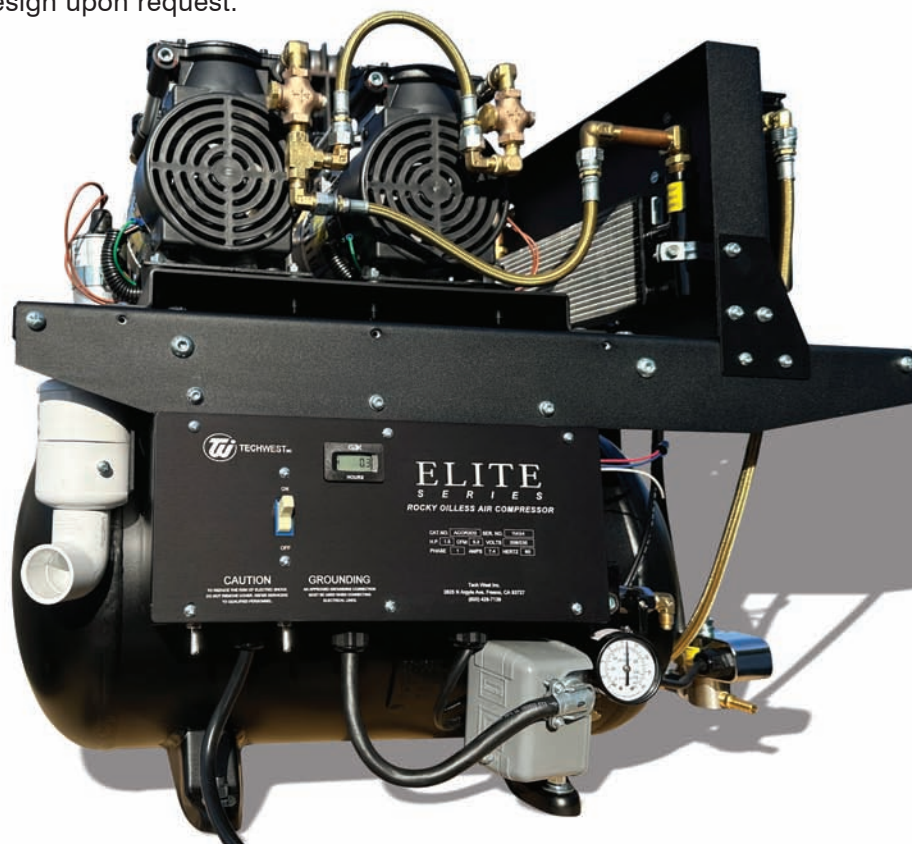
Meets or exceeds NFPA applicable guidelines

FDA
RECOGNIZED

TECH WEST

ELITE SERIES ROCKY OILLESS AIR COMPRESSOR

The Tech West Rocky Series Oilless Air Compressors provide 100% oil-free air to the dental office. With our high-performance air drying system, we guarantee the clean dry air you expect. The design of the Tech West Rocky Series Air Compressor provides smooth, quiet, vibration-free operation at only 65 dB-a noise level. We offer them in a twin configuration to meet almost any need of today's Dental Practice. Tech West will provide full plumbing and electrical design upon request.



ROCKY OILLESS AIR COMPRESSORS

MODEL NUMBER	MAX USERS	AIR DRYER	QUIET COVER	# OF HEADS	TOTAL H.P.	CFM	TANK GALLONS	VOLTAGE	TOTAL AMPS	BREAKER SIZE	DB(A)	EQUIP. WEIGHT	EQUIP. HEIGHT	EQUIP. WIDTH	EQUIP. DEPTH	SHIPPING WEIGHT	SHIPPING HEIGHT	SHIPPING WIDTH	SHIPPING DEPTH	LIST PRICE
ACOR2D1	2-3	YES	NO	2	1.5	5.2	10	115	11	20	68	175	28	28	20.5	220	37	34	28	9,431
ACOR2D1Q	2-3	YES	YES	2	1.5	5.2	10	115	11	20	64	210	31	28	20.5	220	37	34	28	10,820
ACOR2D2	2-3	YES	NO	2	1.5	5.2	10	208/230	8	20	68	175	28	28	20.5	220	37	34	28	9,431
ACOR2D2Q	2-3	YES	YES	2	1.5	5.2	10	208/230	8	20	64	210	31	28	20.5	220	37	34	28	10,820

A 5 YEAR 3500 HOUR MOTOR WARRANTY. All other components carry a 2 year warranty.

Meets or exceeds NFPA applicable guidelines

FDA
RECOGNIZED

TECH WEST

REMOTE CONTROL PANELS

Tech West's Remote Control Panels offer a wide variety of different models to suit almost any need. All the panels are brushed aluminum with a clear anodized coating that can be mounted onto standard electrical junction boxes.



PART #	DESCRIPTION	HEIGHT	WIDTH	RETAIL PRICE
CP-1V	CONTROL PANEL 1 VAC	4 1/2	4 1/2	266
CP-1V1A	CONTROL PANEL 1 VAC 1 AIR	4 1/2	4 1/2	500
CP-1V1A1W	CONTROL PANEL 1 VAC 1 AIR 1 H2O	4 1/2	6 1/2	632
CP-2A1W	CONTROL PANEL 2 AIR 1 H2O	4 1/2	6 1/2	668
CP-2V	CONTROL PANEL 2 VAC	4 1/2	4 1/2	500
CP-2V1A	CONTROL PANEL 2 VAC 1 AIR	4 1/2	6 1/2	668
CP-2V1A1W	CONTROL PANEL 2 VAC 1 AIR 1 H2O	4 1/2	6 1/2	767
CP-3V	CONTROL PANEL 3 VAC	4 1/2	6 1/2	668
CP-3V1A	CONTROL PANEL 3 VAC 1 AIR	4 1/2	6 1/2	668
CP-3V1A1W	CONTROL PANEL 3 VAC 1 AIR 1 H2O	4 1/2	6 1/2	833
CP-4V	CONTROL PANEL 4 VAC	4 1/2	6 1/2	668
CPB-100	CONTROL PANEL BULB (3PK)	N/A	N/A	46

TECH WEST WATER MANIFOLDS

Tech West's Water Manifolds offer safe after-hours protection for today's dental offices. Just push a button on the remote control panel and the water is off. Manifolds are available with or without a filter and with or without a low voltage contactor. The 3/4" unit has a clear filter housing and the 1" has a blue housing.



PART #	DESCRIPTION	HEIGHT	WIDTH	DEPTH	WEIGHT	RETAIL PRICE
WB-100	WTR BYPASS 1" NO FILTER	13	19	4	16	2,020
WB-100-RC	WTR BYPASS 1" NO FILTER W/RELAY	13	19	4	22	2,204
WB-750	WTR BYPASS 3/4" NO FILTER	10	15 1/2	4	13	1,192
WB-750-RC	WTR BYPASS 3/4" NO FILTER W/RELAY	10	15 1/2	4	18	1,468
WBF-100	WTR BYPASS FILTER 1" NO RELAY	24	25	7 1/2	25	2,388
WBF-100-RC	WTR BYPASS FILTER 1" W/RELAY	24	25	7 1/2	31	2,758
WBF-750	WTR BYPASS FILTER 3/4" NO RELAY	21	19 1/2	6	15	1,561
WBF-750-RC	WTR BYPASS FILTER 3/4" W/RELAY	21	19 1/2	6	18	1,837

PART #	DESCRIPTION	WEIGHT	RETAIL PRICE
WFE-750	3/4" FILTER ELEMENT PKG OF 4	3	139
WFE-100	1" FILTER ELEMENT PKG OF 4	8	278

TECH WEST WATER MANIFOLDS HAVE A FULL 2 YEAR WARRANTY

TECH WEST PUMP ACCESSORIES



WATER RECYCLER

Tech West's water recycler is a simple yet effective way to save as much as 70% of water consumption. It is factory installed on the pump or can be field installed with ease.

PART#	DESCRIPTION	PRICE
WRK-100	WATER RECYCLER KIT	367

P-TRAP ADAPTER

The P-Trap adapter is designed to be used with all Whirlwind Pump models with exhaust separators. The separator waste connection may be hooked to the P-Trap Adapter without worry of splash or vapor contamination. It includes a 1 1/2" ABS slip connection to P-Trap, a stainless steel bridge assembly with 90 degree PVC elbow and adapters for 3/4 drain flex lines.



PART#	PRICE
PTA-100	143

STACKING RACK

The stacking rack is designed to reduce the space required to install vacuum and air equipment by about half. The space savings is achieved by placing the stacking rack over your compressor and installing your platform mounted whirlwind pumps on the rack. The stacking rack fits both the dual and triple vacuum systems.



PART #	HEIGHT	WIDTH	DEPTH	WEIGHT	RETAIL PRICE
SR-100	39	43	27	75	1,169

AIR WATER SEPARATOR WITH VAPOR STOP

Air-water separators are available in single, dual, and triple models. They are designed to separate the liquids entrained in the exhaust. A vapor-stop fitting allows the liquids to create a gas and vapor trap, thereby eliminating odors and contaminants from entering the equipment location. All models include vapor-stop, hoses, fittings, P-trap adapter and a mounting bracket.



PART #	DESCRIPTION	HEIGHT	WIDTH	DEPTH	WEIGHT	RETAIL PRICE
ES-1	SINGLE	16	16	9	18	584
ES-2	DUAL	16	16	9	18	670
ES-3	TRIPLE	16	16	11	18	755

TECH WEST ACCESSORIES

COMPRESSOR OIL

Our compressor oil is specially formulated for our oil lubricated compressors. It is a very high grade of synthetic lubricant with an additive to help reduce piston friction and wear.



PART# CO-100 PRICE 63
(Case of 4)

RELAY CONTROL 24V/115-230V

For 24V remote switching of compressors, water manifolds, and other electrical devices. Relay provides 40 amp. resistive load capability, 30VA and 24 VAC transformer. Fused on 24V side.



PART#	DESCRIPTION	PRICE
RC-115	115V RELAY CONTROL	377
RC-230	230V RELAY CONTROL	377

BOOST TRANSFORMER

When line voltage at an installation site is below 208 volts for a Whirlwind pump or Ultra Clean compressor, it is recommended that a boost transformer be installed. They are pre-wired for quick installation. Select your booster based on the total horsepower of your Whirlwind pump or Ultra Clean compressor. All dual and triple-model Whirlwinds should use individual boosters for each vacuum pump or separate circuits.



PART #	DESCRIPTION	WEIGHT	RETAIL PRICE
BT-2-230	2 HP 230 V.	18	1,001
BT-3-230	3 HP 230 V.	23	1,169

TECH WEST RETAIL PRICE LIST - PARTS

<u>BN-250-1.50</u>	<u>BRASS NIPPLE 1/4 X 1 1/2</u>	<u>\$17</u>
<u>BN-250-CL</u>	<u>BRASS NIPPLE 1/4 CLOSE</u>	<u>\$2</u>
<u>BN-6-CL</u>	<u>BRASS NIPPLE 3/8 CLOSE</u>	<u>\$3</u>
<u>BN-750-2</u>	<u>BRASS NIPPLE 3/4 x 2</u>	<u>\$22</u>
<u>BN-750-CL</u>	<u>BRASS NIPPLE 3/4 CLOSE</u>	<u>\$16</u>
<u>BPC-4</u>	<u>BRASS PIPE CROSS 1/4</u>	<u>\$26</u>
<u>BPP-4</u>	<u>BRASS PIPE PLUG 1/4</u>	<u>\$2</u>
<u>BRN-4-2</u>	<u>BRASS REDUCER NIPPLE 1/4 x 1/8</u>	<u>\$7</u>
<u>BSE-2</u>	<u>BRASS STREET ELBOW 1/8</u>	<u>\$14</u>
<u>BSE-250</u>	<u>BRASS STREET ELBOW 1/4</u>	<u>\$7</u>
<u>BT-250</u>	<u>BRASS TEE 1/4</u>	<u>\$17</u>
<u>BV-250</u>	<u>BRASS BALL VALVE 1/4</u>	<u>\$75</u>
<u>BV-250-FM</u>	<u>BALL VALVE 1/4 FEMALE TO MALE</u>	<u>\$17</u>
<u>CF-115-230E</u>	<u>COOLING FAN DUAL VOLTAGE 115/230VLT</u>	<u>\$104</u>
<u>CFAO-375</u>	<u>COALESCING FILTER ASSEMBLY 3/8</u>	<u>\$480</u>
<u>CFB-P</u>	<u>COALESCING FILTER BRACKET</u>	<u>\$33</u>
<u>CFBP</u>	<u>COALESCING FILTER BOWL PARKER</u>	<u>\$308</u>
<u>CFE-375</u>	<u>COAL FILTER ELEMENT #18 .01MIC</u>	<u>\$159</u>
<u>CFEO-375</u>	<u>COAL FILTER ELEMENT PARKER</u>	<u>\$159</u>
<u>CFG-100</u>	<u>COOLING FAN FINGER GUARD</u>	<u>\$16</u>
<u>CFSG-100</u>	<u>COALESCING FILTER SIGHT GLASS</u>	<u>\$94</u>
<u>CSKL-1</u>	<u>COMP. SERVICE KIT, SINGLE LUB WILKERSON BOWL</u>	<u>\$204</u>
<u>CSKL-1P</u>	<u>COMP. SERVICE KIT, SINGLE LUB PARKER BOWL</u>	<u>\$204</u>

TECH WEST RETAIL PRICE LIST - PARTS

<u>CSKL-2P</u>	<u>COMP. SERVICE KIT, DUAL LUB PARKER BOWL</u>	<u>\$298</u>
<u>CSKL-3</u>	<u>COMP. SERVICE KIT, TRIPLE LUB WILKERSON BOWL</u>	<u>\$253</u>
<u>CSKL-30D</u>	<u>COMPRESSOR SERVICE KIT - ACL30D5</u>	<u>\$1,057</u>
<u>CSKL-3P</u>	<u>COMP. SERVICE KIT, TRIPLE LUB PARKER BOWL</u>	<u>\$253</u>
<u>CSKL-60D</u>	<u>COMPRESSOR SERVICE KIT - ACL60D5</u>	<u>\$1,461</u>
<u>CSKO-1</u>	<u>COMP. SERVICE KIT, SINGLE OILLESS WILKERSON BOWL</u>	<u>\$240</u>
<u>CSKO-1P</u>	<u>COMP. SERVICE KIT, SINGLE OILLESS PARKER BOWL</u>	<u>\$240</u>
<u>CSKO-2</u>	<u>COMP. SERVICE KIT, DUAL OILLESS WILKERSON BOWL</u>	<u>\$301</u>
<u>CSKO-2P</u>	<u>COMP. SERVICE KIT, DUAL OILLESS PARKER BOWL</u>	<u>\$301</u>
<u>CSKO-3</u>	<u>COMP. SERVICE KIT, TRIPLE OILLESS WILKERSON BOWL</u>	<u>\$382</u>
<u>CSKO-3P</u>	<u>COMP. SERVICE KIT, TRIPLE OILLESS PARKER BOWL</u>	<u>\$382</u>
<u>CV-2.5</u>	<u>METAL CHECK VALVE 2 1/2</u>	<u>\$475</u>
<u>CV-200</u>	<u>METAL CHECK VALVE 2</u>	<u>\$443</u>
<u>CV-250</u>	<u>BRASS CHECK VALVE 1/4 SPRING</u>	<u>\$87</u>
<u>CV-250D</u>	<u>1/4" CHECK VALVE MNPT X MNPT</u>	<u>\$47</u>
<u>CV-375</u>	<u>BRASS CHECK VALVE 3/8 SPRING</u>	<u>\$92</u>
<u>CV-375MF</u>	<u>BRASS CHECK VALVE 3/8 MF</u>	<u>\$75</u>
<u>CVF-1.25</u>	<u>PVC CHECK VALVE 1 1/4-FLO</u>	<u>\$84</u>
<u>CVF-750</u>	<u>PVC CHECK VALVE 3/4-FLO</u>	<u>\$62</u>
<u>CVK-750</u>	<u>PVC CHECK VALVE 3/4-KING</u>	<u>\$75</u>
<u>DC-250</u>	<u>BRASS DRAINCOCK 1/4</u>	<u>\$14</u>
<u>DDSK-100</u>	<u>DRYER DESICANT SERVICE KIT</u>	<u>\$168</u>
<u>DPA-100</u>	<u>DUAL PLATFORM ASSEMBLY</u>	<u>\$1,099</u>
<u>DPB-100</u>	<u>DRYER PURGE BUCKET 2 GAL W/LID</u>	<u>\$26</u>
<u>DPC-1</u>	<u>DRYER PRE COOLER - SINGLE</u>	<u>\$191</u>
<u>DPC-2</u>	<u>DRYER PRE COOLER - DUAL,TRIPLE</u>	<u>\$278</u>
<u>DPS</u>	<u>DOUBLE POLE SWITCH COMPRESSOR</u>	<u>\$37</u>
<u>DSV-115</u>	<u>DRYER SOLENOID VALVE 115 VOLT</u>	<u>\$296</u>
<u>DSV-230</u>	<u>DRYER SOLENOID VALVE 230 VOLT</u>	<u>\$296</u>
<u>DCV-100</u>	<u>DUAL VAC PUMP CHECK VALVE ASSY</u>	<u>\$288</u>
<u>DSVM</u>	<u>MOTOR 3/4 HP SURGICAL VAC</u>	<u>\$3,833</u>

TECH WEST RETAIL PRICE LIST - PARTS

<u>DVEH-2</u>	<u>DRY VAC EXHAUST HOSE 2</u>	<u>\$25</u>
<u>EDT-100</u>	<u>ELITE DESICCANT TANK W/ DESICCANT BEADS</u>	<u>\$825</u>
<u>EC-115</u>	<u>EXTENSION CORD 6FT 115V</u>	<u>\$21</u>
<u>EC-230</u>	<u>EXTENSION CORD 6FT 230V</u>	<u>\$24</u>
<u>ESC-16</u>	<u>ECO-STAR EVACUATION SYSTEM</u>	<u>\$61</u>
<u>ESC-32</u>	<u>ECO-STAR EVACUATION SYSTEM</u>	<u>\$107</u>
<u>ESK-100</u>	<u>ELITE SERVICE KIT-ELITE COMP</u>	<u>\$198</u>
<u>ESK-200</u>	<u>ELITE SERVICE KIT-TRIPLE COMP</u>	<u>\$217</u>
<u>ESC-KIT</u>	<u>ECO-STAR EVACUATION SYSTEM</u>	<u>\$101</u>
<u>EVTC-100</u>	<u>ECO-VAC TIMER CONTROL</u>	<u>\$516</u>
<u>EVTK-100</u>	<u>ECO-VAC TANDEM KIT TO MAKE TWO</u>	<u>\$638</u>
<u>FE-4-2</u>	<u>BRASS FLARE ELBOW 1/4 x 1/8</u>	<u>\$6</u>
<u>FE-4-4</u>	<u>BRASS FLARE ELBOW 1/4 x 1/4</u>	<u>\$9</u>
<u>FE-4-6</u>	<u>BRASS FLARE ELBOW 1/4 x 3/8</u>	<u>\$17</u>
<u>FE-6-4</u>	<u>BRASS FLAIR ELBOW 3/8 x 1/4</u>	<u>\$9</u>
<u>FE-6-6</u>	<u>BRASS FLARE ELBOW 3/8 MPTx3/8</u>	<u>\$5</u>
<u>FF-4-6</u>	<u>BRASS FLARE FITT. 1/4MPT x 3/8</u>	<u>\$36</u>
<u>FH-100</u>	<u>FUSE HOLDER, PUMP</u>	<u>\$22</u>
<u>FPH-1</u>	<u>PVC FLEXABLE HOSE - 1</u>	<u>\$7</u>
<u>FPH-1.25</u>	<u>PVC FLEXIBLE HOSE 1 1/4</u>	<u>\$13</u>
<u>FPH-375</u>	<u>PVC FLEXIBLE HOSE 3/8 CLEAR</u>	<u>\$2</u>
<u>FPH-750</u>	<u>PVC FLEXIBLE HOSE 3/4</u>	<u>\$7</u>
<u>FSV-24</u>	<u>FLUSH SOLENOID VALVE 1/4</u>	<u>\$366</u>
<u>GFS-100</u>	<u>GAST FAN SHROUD</u>	<u>\$201</u>
<u>GN-125-3</u>	<u>GALV NIPPLE 1/8 X 3</u>	<u>\$9</u>
<u>GRRK-100</u>	<u>GAST ROCKY REBUILD KIT</u>	<u>\$638</u>
<u>HA-500-96</u>	<u>HOSE ASSY 1/2x96 W/ 1/2 ENDS</u>	<u>\$324</u>
<u>HB-25-375</u>	<u>BRASS HOSE BARB 1/4 MPT x 3/8</u>	<u>\$18</u>
<u>HBE-6-8</u>	<u>HOSE BARB ELL 3/8MPT x 1/2BARB</u>	<u>\$9</u>
<u>ICAF-100</u>	<u>INDUSTRIAL COMP. AIR FILTER</u>	<u>\$85</u>
<u>ICAF-100M</u>	<u>INDUSTRIAL COMP AIR FILTER</u>	<u>\$238</u>

TECH WEST RETAIL PRICE LIST - PARTS

<u>ICAF-E57</u>	<u>AIR INTAKE FILTER FOR 5-7.5 HP</u>	<u>\$190</u>
<u>ICM-5B</u>	<u>5 HP COMPRESSOR MOTOR 3 PHASE</u>	<u>\$3,359</u>
<u>ICM-5S</u>	<u>5 HP COMPRESSOR MOTOR 208/230</u>	<u>\$3,876</u>
<u>ICO</u>	<u>INDUSTRIAL COMPRESSOR OIL</u>	<u>\$138</u>
<u>ICP-E-57</u>	<u>5 HP COMPRESSOR PUMP E-57</u>	<u>\$6,455</u>
<u>ICP-ES-50</u>	<u>5 HP COMPRESSOR PUMP ES-50</u>	<u>\$5,281</u>
<u>MB-1810</u>	<u>MOTOR BEARING FOR 1810 BLOWER</u>	<u>\$229</u>
<u>MB-6203</u>	<u>MOTOR BEARING 6203 SEALED</u>	<u>\$56</u>
<u>MB-6205</u>	<u>MOTOR BEARING 6205 SEALED</u>	<u>\$115</u>
<u>MG-100</u>	<u>MANIFOLD GASKET, PUMP</u>	<u>\$16</u>
<u>MI-100</u>	<u>MOISTURE INDICATOR</u>	<u>\$84</u>
<u>MMS-10</u>	<u>MAGNETIC MOTOR STARTER 10 HP</u>	<u>\$2,072</u>
<u>MMS-5</u>	<u>MAGNETIC MOTOR STARTER 5 HP</u>	<u>\$1,111</u>
<u>MMS-75</u>	<u>MAGNETIC MOTOR STARTER 7.5 HP</u>	<u>\$1,111</u>
<u>MSD-100</u>	<u>DESICCANT-MOLECULAR SIEVE</u>	<u>\$37</u>
<u>MSD-200</u>	<u>DESICCANT-ACTIVATED ALUMINA</u>	<u>\$49</u>
<u>OR-5</u>	<u>O-RING FOR PUMP BASE 5"</u>	<u>\$14</u>
<u>PC-1-S-S</u>	<u>PVC COUPLING 1 SxS</u>	<u>\$2</u>
<u>PE-750-SP</u>	<u>PVC ELBOW 3/4 SPIGOT x SLIP</u>	<u>\$5</u>
<u>PFE-4-2</u>	<u>BRASS POLY-FLO ELBOW 1/4 X 1/8</u>	<u>\$16</u>
<u>PFE-4-4</u>	<u>BRASS POLY-FLO ELBOW 1/4 x 1/4</u>	<u>\$14</u>
<u>PFT-250</u>	<u>POLY-FLO TUBE 1/4 BLUE</u>	<u>\$1</u>
<u>PFT-500</u>	<u>POLY-FLO TUBE 1/2 BLACK</u>	<u>\$5</u>
<u>PFT-625</u>	<u>POLY-FLO TUBE 5/8 BLACK</u>	<u>\$2</u>
<u>PMA-1.25</u>	<u>PVC MALE ADAPTOR 1 1/4</u>	<u>\$3</u>
<u>PMA-750</u>	<u>PVC MALE ADAPTER 3/4</u>	<u>\$5</u>
<u>PMG-VAC</u>	<u>PANEL MOUNT GAUGE DRY VACUUM</u>	<u>\$62</u>
<u>PN-1.25-2</u>	<u>PVC NIPPLE 1 1/4 X 2 SCH 80</u>	<u>\$9</u>
<u>POVA-100</u>	<u>POP OFF VALVE 125 PSI ASME</u>	<u>\$67</u>
<u>POVA-165</u>	<u>POP OFF VALVE 165 PSI</u>	<u>\$16</u>
<u>PR-100</u>	<u>PUMP RELAY</u>	<u>\$127</u>

TECH WEST RETAIL PRICE LIST - PARTS

<u>PR-208</u>	<u>POTENTIAL RELAY 208/230 OR 230</u>	<u>\$72</u>
<u>PR-230</u>	<u>POTENTIAL RELAY, 230 VOLT</u>	<u>\$101</u>
<u>PRB</u>	<u>PUMP RELAY BOX</u>	<u>\$69</u>
<u>PRC</u>	<u>PUMP RELAY COVER</u>	<u>\$63</u>
<u>PS-100</u>	<u>PURGE SHIELD FOR UCAD DRYER</u>	<u>\$94</u>
<u>PSC-115</u>	<u>PUMP SOLENOID COIL 115 VOLT</u>	<u>\$83</u>
<u>PSC-3</u>	<u>PRESSURE SWITCH COMP. 3 HP</u>	<u>\$189</u>
<u>PSC-250-E</u>	<u>PRESSURE SWITCH COMP</u>	<u>\$258</u>
<u>PSC-750</u>	<u>PVC COUPLING 3/4 SxS</u>	<u>\$2</u>
<u>PSC-DV</u>	<u>PRESSURE SWITCH-SURGICAL VAC</u>	<u>\$1,033</u>
<u>PSE-1.25-SP</u>	<u>PVC STREET ELL 1 1/4 SPGxS</u>	<u>\$14</u>
<u>PSE-750-ST</u>	<u>PVC STREET ELBOW 3/4 SxT</u>	<u>\$2</u>
<u>PSE-750-TT</u>	<u>PVC STREET ELBOW 3/4 TxT</u>	<u>\$16</u>
<u>PSS-100</u>	<u>PUMP SHAFT SEAL 5/8</u>	<u>\$39</u>
<u>PSV-115GC</u>	<u>PUMP SOLENOID VALVE 115 VOLT</u>	<u>\$185</u>
<u>PSV-230</u>	<u>PUMP SOLENIOD VALVE 230 VOLT</u>	<u>\$185</u>
<u>PTA-100</u>	<u>P-TRAP RACK</u>	<u>\$143</u>
<u>PT-100</u>	<u>PUMP TRANSFORMER 24 VOLT</u>	<u>\$84</u>
<u>PTS-100</u>	<u>PUMP TOGGLE SWITCH 24 VOLT</u>	<u>\$25</u>
<u>PU-1250S</u>	<u>PVC UNION 1 1/4 SxS</u>	<u>\$82</u>
<u>PU-750S</u>	<u>PVC UNION 3/4 SxS</u>	<u>\$63</u>
<u>PU-750T</u>	<u>PVC UNION 3/4 TxT</u>	<u>\$63</u>
<u>PVB-100</u>	<u>PUMP VACUUM BREAKER WITH 1/4 X</u>	<u>\$284</u>
<u>RAD-10</u>	<u>REFRIGIRATED AIR DRYER 10 CFM</u>	<u>\$4,293</u>
<u>RAD-10D</u>	<u>REFRIGERANT AIR DRYER 120V</u>	<u>\$8,809</u>
<u>RAD-10D-SK</u>	<u>REFER AIR DRYER SERVICE KIT</u>	<u>\$638</u>
<u>RAD-15D</u>	<u>REFRIGERATED AIR DRYER FOR</u>	<u>\$13,149</u>
<u>RAD-5</u>	<u>REFRIGERANT AIR DRYER 25 CFM</u>	<u>\$7,744</u>
<u>RAD-5D</u>	<u>REFRIGERANT AIR DRYER 35 CFM</u>	<u>\$9,754</u>
<u>RAD-5D-SK</u>	<u>REFER AIR DRYER SERVICE KIT</u>	<u>\$638</u>
<u>RAD-7.5D</u>	<u>REFRIGERANT AIR DRYER 120 VOLT</u>	<u>\$10,356</u>

TECH WEST RETAIL PRICE LIST - PARTS

<u>RFV-100</u>	<u>RUBBER FEET FOR AIR COMPRESSOR</u>	<u>\$18</u>
<u>RFVF-100</u>	<u>RUBBER FEET FOR VACUUM PUMP</u>	<u>\$18</u>
<u>RIC-GAST</u>	<u>RUBBER MOUNTING FOOT-GAST MOTOR</u>	<u>\$17</u>
<u>RDC-100</u>	<u>REPLACEMENT DESSICANT TANK</u>	<u>\$695</u>
<u>SBHA-14-375</u>	<u>STEEL BRAID HOSE ASSY 3/8 X 14</u>	<u>\$60</u>
<u>SBF-250</u>	<u>SLOW BLOW FUSE 1/4 AMP, PUMP</u>	<u>\$6</u>
<u>SCM-1</u>	<u>START CAPACITOR MAGNETEK 1 HP</u>	<u>\$121</u>
<u>SCM-2</u>	<u>START CAPACITOR MAGNETEK 1.5HP</u>	<u>\$121</u>
<u>SCR-230</u>	<u>START CAPACITOR ROCKY</u>	<u>\$72</u>
<u>SCV-1.25</u>	<u>BRASS CHECK VALVE 1 1/4 SWING</u>	<u>\$110</u>
<u>SN-250-CL</u>	<u>STAINLESS NIPPLE 1/4 CLOSE</u>	<u>\$5</u>
<u>STBD</u>	<u>SEPERATOR TANK BANDS, DUAL</u>	<u>\$82</u>
<u>SVF-100-E</u>	<u>SURGICAL VAC FILTER ELEMENT (Z)</u>	<u>\$22</u>
<u>SVFH-100</u>	<u>SURGICAL VAC FILTER HOLDER</u>	<u>\$47</u>
<u>TIF-100</u>	<u>THOMAS AIR FILTER ELEMENT 1hp</u>	<u>\$39</u>
<u>TIF-200</u>	<u>THOMAS AIR FILTER ELEMENT 2hp</u>	<u>\$59</u>
<u>TS3</u>	<u>TERMINAL STRIP 3 POSITION</u>	<u>\$6</u>
<u>TS6</u>	<u>TERMINAL STRIP 6 POSITION</u>	<u>\$20</u>
<u>UCCF-100</u>	<u>ULTRA CLEAN COALSCING FILTER</u>	<u>\$168</u>
<u>UCDC-100</u>	<u>ULTRACLEAN DESICCANT CARTRIDGE</u>	<u>\$557</u>
<u>UCPV-100</u>	<u>ULTRA CLEAN PURGE VALVE</u>	<u>\$319</u>
<u>UCSV-100</u>	<u>ULTRA CLEAN SPOOL VALVE</u>	<u>\$143</u>
<u>VFB-1.25</u>	<u>VACUUM FILTER BOWL 1 1/4</u>	<u>\$59</u>
<u>VFA-1.25</u>	<u>VACUUM FILTER ASSEMBLY 1 1/4</u>	<u>\$155</u>
<u>VFA-100</u>	<u>VACUUM FILTER ASSEMBLY 1</u>	<u>\$138</u>
<u>VFA-40</u>	<u>VACUUM FILTER ASSEMBLY 3/4</u>	<u>\$104</u>
<u>VFB-1.25</u>	<u>VACUUM FILTER BOWL 1 1/4</u>	<u>\$59</u>
<u>VFG-1.25</u>	<u>VACUUM FILTER GASKET 1 1/4</u>	<u>\$10</u>
<u>VFS-1.25</u>	<u>VACUUM FILTER SCREEN 1 1/4</u>	<u>\$31</u>
<u>VFS-125</u>	<u>VAC FILTER SCREEN 1 1/4</u>	<u>\$28</u>
<u>VFG-100</u>	<u>VACUUM FILTER GASKETS PKG. 4</u>	<u>\$23</u>

TECH WEST RETAIL PRICE LIST - PARTS

<u>VPM-15M</u>	<u>VACUUM PUMP MOTOR 1.5 HP</u>	<u>\$1,280</u>
<u>VPM-2M</u>	<u>VACUUM PUMP MOTOR 2 HP</u>	<u>\$1,360</u>
<u>VPS-125</u>	<u>VACUUM PUMP STRAINER 1/8</u>	<u>\$94</u>
<u>VT-100</u>	<u>VACUUM TRANSDUCER 0-30 HG</u>	<u>\$413</u>
<u>WFA-750</u>	<u>WATER FILTER BOWL/ASSEMBLY 3/4 (CLEAR)</u>	<u>\$104</u>
<u>WFB-1</u>	<u>WATER FILTER BOWL/ASSEMBLY 1 (BLUE)</u>	<u>\$223</u>
<u>WFE-100</u>	<u>WATER FILTER ELEMENT 1 PKG OF 4</u>	<u>\$278</u>
<u>WFE-750</u>	<u>WATER FILTER ELEMENT 3/4 PKG OF 4</u>	<u>\$139</u>
<u>WFOR-100</u>	<u>WATER FILTER O-RING 1</u>	<u>\$21</u>
<u>WFOR-750</u>	<u>WATER FILTER O-RING 3/4</u>	<u>\$16</u>
<u>WFW-100</u>	<u>WATER FILTER WRENCH 1</u>	<u>\$84</u>
<u>WFW-750</u>	<u>WATER FILTER WRENCH 3/4</u>	<u>\$46</u>
<u>WIN-25-100</u>	<u>WATER INJECTION NOZZLE .25 GPM</u>	<u>\$95</u>
<u>WMV-100</u>	<u>WATER BYPASS SOLENOID VALVE 1</u>	<u>\$853</u>
<u>WMV-750</u>	<u>WATER BYPASS SOLEN. VALVE 3/4</u>	<u>\$544</u>
<u>WMVC-100GC</u>	<u>WATER BYPASS SOLEN. VALVE COIL</u>	<u>\$163</u>
<u>WMVC-750GC</u>	<u>WATER BYPASS SOLEN. VALVE COIL</u>	<u>\$121</u>
<u>WIN-75-100</u>	<u>WATER INJECTION NOZZLE .75 GPM</u>	<u>\$95</u>
<u>WRC-100</u>	<u>WATER RECYCLER ASSEMBLY</u>	<u>\$120</u>
<u>WRK-100</u>	<u>WATER RECYCLER KIT</u>	<u>\$367</u>

***EFFECTIVE 03/01/2024**



Manufacturers of Dental Vacuum
and Air Systems

2657 N. ARGYLE AVE. – FRESNO, CA 93727
(559) 291-1650 (800) 428-7139 FAX (559) 348-9677

WARRANTY CARD

Thank you for purchasing a Tech West Compressor. Our equipment is of the highest standard and carries a substantial warranty. This warranty is valid only if you return this card within 90 days of installation. The warranty period begins on the date of installation. Once again, thank you for purchasing a Tech West compressor. The following are the warranty periods on Tech West equipment.

Oilless Compressor: 5 years OR 3500 hours on motor only
2 years on all other components

Date Installed: _____

Purchased By: Name _____

Address _____

City, State, Zip _____

Phone _____ Fax _____

Purchased From: Name _____

Address _____

City, State, Zip _____

Phone _____ Fax _____

Installed By: Name _____

Address _____

City, State, Zip _____

Phone _____ Fax _____

Product Description _____

Model # _____

Serial # _____



Manufacturers of Dental Vacuum
and Air Systems

2657 N. ARGYLE AVE. – FRESNO, CA 93727
(559) 291-1650 (800) 428-7139 FAX (559) 348-9677

WARRANTY CARD

Thank you for purchasing a Tech West Pump. Our equipment is of the highest standard and carries a substantial warranty. This warranty is valid only if you return this card within 90 days of installation. The warranty period begins on the date of installation. Once again, thank you for purchasing a Tech West vacuum. The following are the warranty periods on Tech West equipment.

Goldenvac: 10 years on stainless steel parts
5 years on motor shaft
3 years on all other components

EcoVac: 5 years OR 5000 hours

Date Installed: _____

Purchased By: Name _____

Address _____

City, State, Zip _____

Phone _____ Fax _____

Purchased From: Name _____

Address _____

City, State, Zip _____

Phone _____ Fax _____

Installed By: Name _____

Address _____

City, State, Zip _____

Phone _____ Fax _____

Product Description _____

Model # _____

Serial # _____



TECHWEST INC

Manufacturers of Dental Vacuum
and Air Systems

2657 N. Argyle Ave. • Fresno, CA 93727
(559) 291-1650 • (800) 428-7139
FAX (559) 348-9677
www.tech-west.com

Revised 3/24