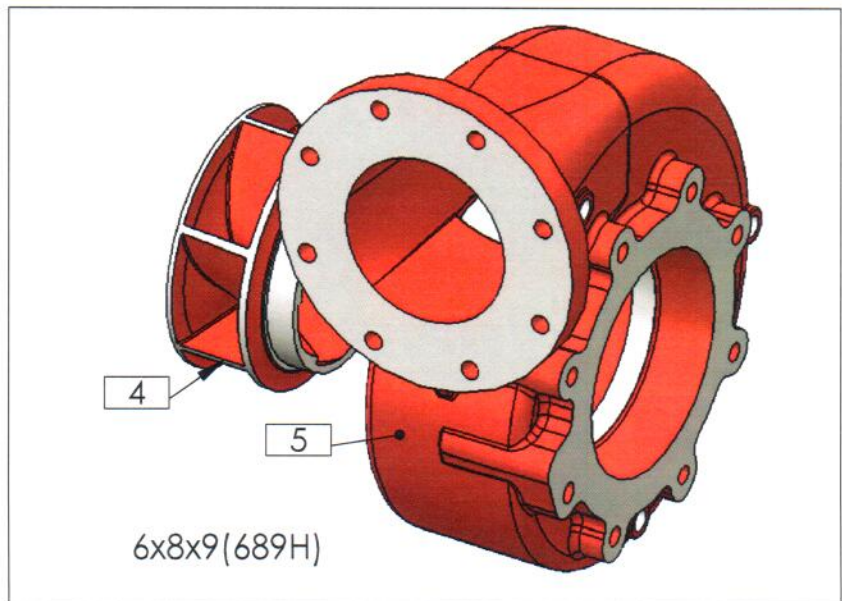
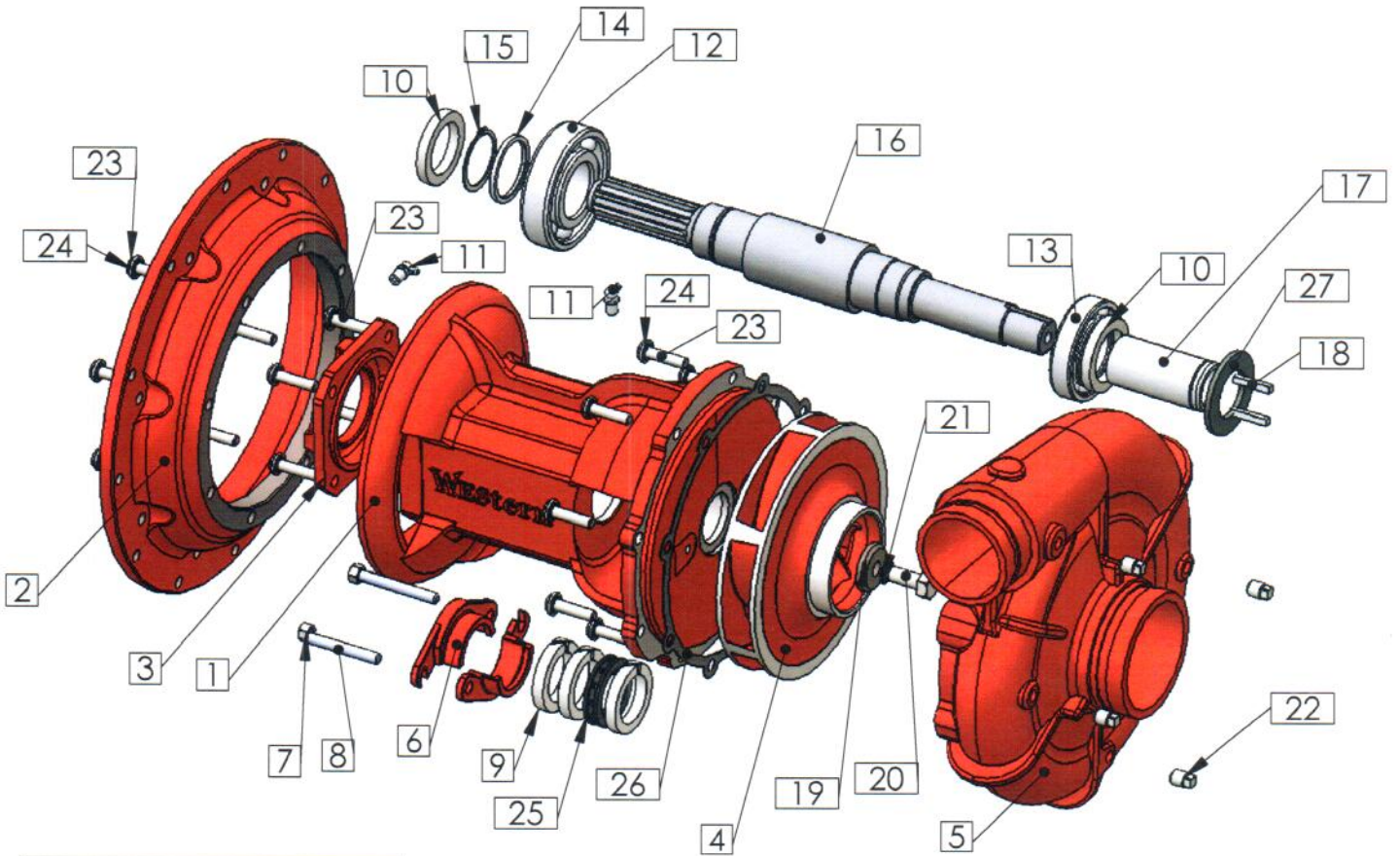


Western Pumps

XS-9 Series - SAE Engine Drive Parts Diagram 3x4x9/6x8x9





Western Pumps, LLC
 P.O. Box 1562
 Clovis, CA 93613
 (559) 292-9100

XS-9 Series Pump Parts Listing

Models: 3x4x9, 6x8x9 - SAE Engine Drive

Draw ID	Pump Model	Component ID	Component Description	Qty Needed
1	xx9xCW-SxPx	M-05-BF005-01	Bearing Frame - SAE 9 Packing	1
	xx9xCW-SxSx	M-05-BF011-01	Bearing Frame - SAE 9 MechSeal	1
2	xx9xCW-S4xx	M-00-SA045-01	SAE Bellhousing - 4/5	1
	xx9xCW-S2xx	M-00-SA023-01	SAE Bellhousing - 2/3	2
3	All	M-05-BC001-01	Bearing Cap - 349M/689H	1
4	349MCW-Sxxx	M-01-IM003-01	Impeller CW - 349M	1
	689HCW-SxxF	M-02-IM005-01	Impeller CW - 689H	1
5	349MCW-SxxP	M-01-VL001-01	Volute CW - 349M - NPT	1
	349MCW-SxxV	M-01-VL007-01	Volute CW - 349M - Vic	1
	689HCW-SxxF	M-02-VL009-01	Volute CW - 689H - Flange	1
6	xx9xCW-SxPx	M-05-PG003-01	Packing Gland - 349M/689H 2pc	1
7	xx9xCW-SxPx	P-00-00013-01	Nuts - 3/8-16 Flanged	2
8	xx9xCW-SxPx	P-00-00071-01	Studs - 3/8-16 x 2.75	2
9	xx9xCW-SxPx	S-05-00009-01	Packing Set - 3/8 - 349M/689H	1
10	All	P-00-00027-01	Grease Seals	2
11	All	P-00-00026-01	Grease Fittings - 1/8 NPT Zerk	3
12	All	P-00-00024-01	Bearings - Input Side	1
13	All	P-00-00025-01	Bearings - Impeller Side	1
14	All	P-00-00028-01	Thrust Ring	1
15	All	P-00-00021-01	Snap Ring - 1.969	1
16	349MCW-Sxxx	M-01-SH003-01	Shaft - 349M SAE	1
	689HCW-SxxF	M-02-SH004-01	Shaft - 689H SAE	1
17	All	M-05-WS001-01	Shaft Wear Sleeve - 349M/689H	1
18	689HCW-SxxF	P-00-00062-01	Key - Impeller	2
	349MCW-Sxxx	P-01-00029-01	Key - Impeller - 349M	2
19	All	M-05-IW001-01	Washers - 1.75 SS Heavy	1
20	All	P-00-00006-01	Bolts - 1/2-13 x 1-1/2 SS	1
21	All	P-00-00007-01	Washers - 1/2 Star SS	1
22	All	P-00-00016-01	Pipe Plugs - 1/4	4
23	All	P-00-00020-01	Bolts - 3/8-16 x 1-1/4	12
24	All	P-00-00014-01	Washers - 3/8 Locking	12
25	xx9xCW-SxPx	P-05-00074-01	Lantern Ring - 1-3/4"	1
26	All	P-05-00036-01	Gasket - Volute - 349M/689H	1
27	All	P-00-00003-01	Slinger - 1.75	1
28	xx9xCW-SxSx	P-00-00022-01	Snap Ring - 1.750 SS	1
29	xx9xCW-SxSx	P-05-00008-01	Mechanical Seal - 349M/689H	1