

R-PIM

ROUND PRESSURE INDEPENDENCE MODULE

OPTIONS & ACCESORIES



Models: R-PIM
Round Pressure Independence Module

Table of Contents	
Flow Cross	1
Double Wall	2
Round to Square Adapter	2
Discharge Attenuator	3
Multiple Outlet Plenum – 3 Outlet	3
Multiple Outlet Plenum – 4 Outlet	4

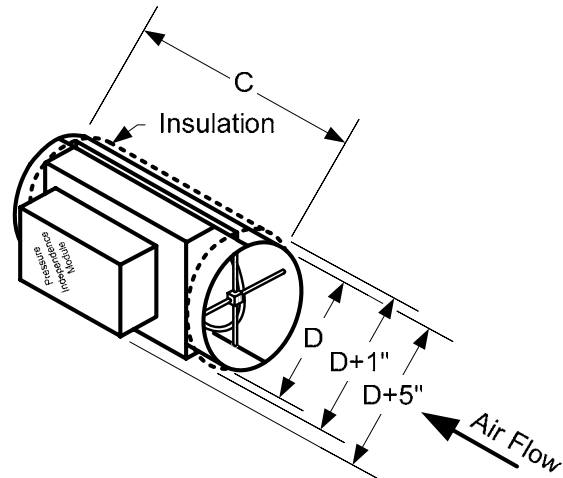
OPTIONS

FC – FLOW CROSS

The Flow Cross option -FC is available for mounting in the inlet of the R-PIM and provides connections for a differential pressure sensor (by others).

The Flow Cross is designed to be installed perpendicular to the air flow with the inboard ports pointing upstream. Mounting is by four ³/₈" by #7 sheet metal screws through the collar and into each foot. Two tubes are passed through the collar and terminated with connectors.

No regular or general maintenance is required except to maintain reasonable cleanliness.



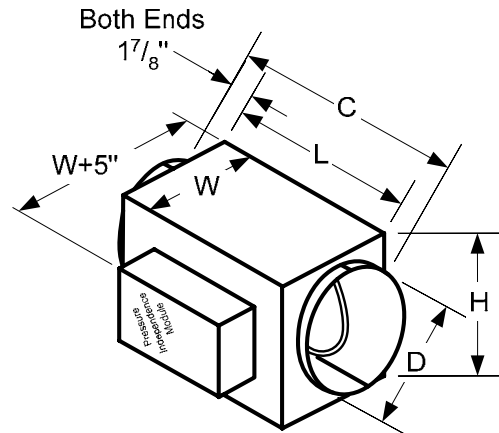
Size	C	D
06	18"	5 ⁷ / ₈ "
08	18"	7 ⁷ / ₈ "
10	20"	9 ⁷ / ₈ "
12	20"	11 ⁷ / ₈ "
14	22"	13 ⁷ / ₈ "
16	22"	15 ⁷ / ₈ "

DW – DOUBLE WALL

The Double Wall construction option -DW is available to reduce radiated noise from the R-PIM.

Acutherm recommends sound attenuation when rated performance exceeds 35 NC. Typically if the pressure drop over the R-PIM damper is less than 1 inwg, then sound attenuation is not required.

The Double Wall construction primarily reduces radiated noise. Consult Form 32.6 R-PIM Standard Test Data for performance.

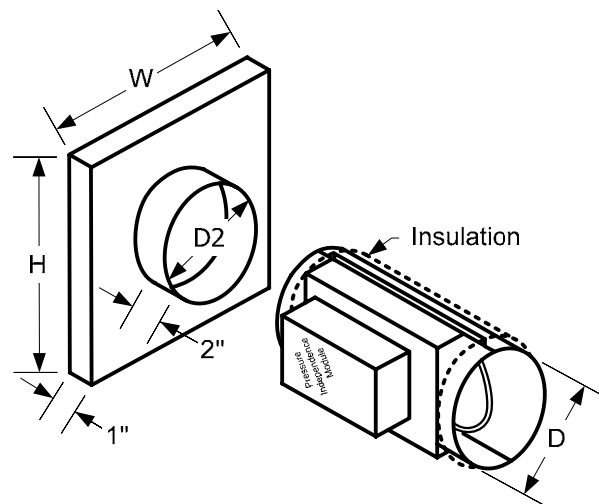


Size	C	D	W	L	H
06	18"	5 7/8"	9"	15 1/4"	8"
08	18"	7 7/8"	11"	15 1/4"	10"
10	20"	9 7/8"	13"	17 3/4"	12"
12	20"	11 7/8"	15"	17 3/4"	14"
14	22"	13 7/8"	17"	19 1/4"	16"
16	22"	15 7/8"	19"	19 1/4"	18"

RSI and RSO – ROUND TO SQUARE ADAPTERS

Round to square adapters are available for both the inlet, option -RSI, and outlet, option -RSO, of the R-PIM.

Round to square adapters make the connection of the R-PIM to a rectangular duct easy.



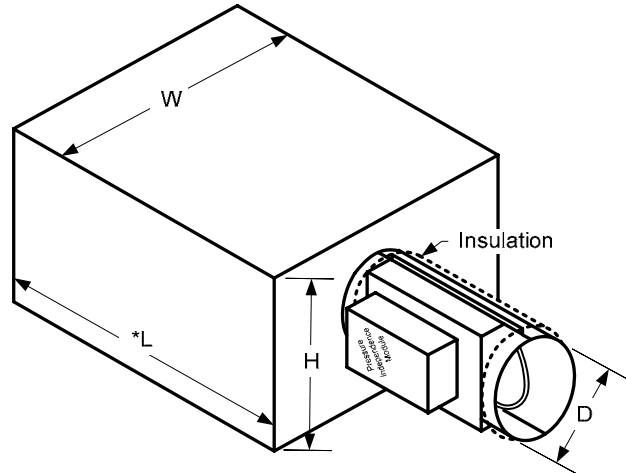
Size	D	W	H	D2
06	5 7/8"	10 7/8"	9 7/8"	6"
08	7 7/8"	14 7/8"	9 7/8"	8"
10	9 7/8"	15 7/8"	13 7/8"	10"
12	11 7/8"	16 7/8"	16 7/8"	12"
14	13 7/8"	17 7/8"	18 7/8"	14"
16	15 7/8"	23 7/8"	18 7/8"	16"

AAxx – DISCHARGE ATTENUATOR

The Discharge Attenuator options –AA12, -AA24 and –AA48 are available to reduce noise transmitted down the duct from the R-PIM.

Acutherm recommends sound attenuation when rated performance exceeds 35 NC. Typically if the pressure drop over the R-PIM damper is less than 1 inwg, then sound attenuation is not required.

The Discharge Attenuator primarily reduces duct transmitted noise. Consult Form 32.6 R-PIM Standard Test Data for performance.



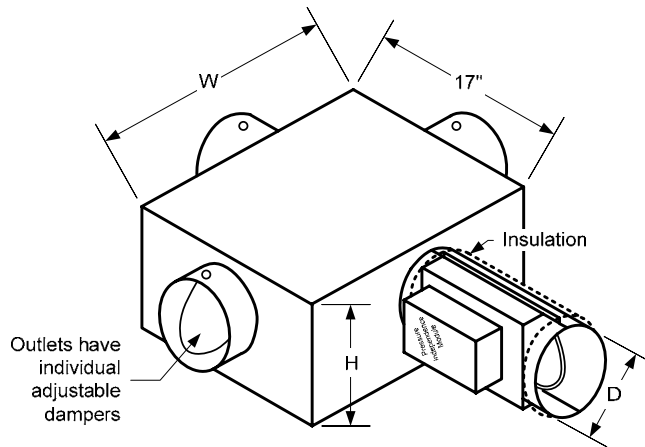
Size	D	W	H
06	5 7/8"	11"	10"
08	7 7/8"	15"	10"
10	9 7/8"	16"	14"
12	11 7/8"	17"	17"
14	13 7/8"	18"	19"
16	15 7/8"	24"	19"

*L = 12", 24", or 48"

MOP3 – MULTIPLE OUTLETS

The Multiple Outlet plenum option -MOP3 with three outlets is available to allow quick connection to three ducts.

The multiple outlet plenum is especially useful if the R-PIM is to be connected to several nearby diffusers. Flex duct may be run from each diffuser to the multiple outlet plenum and the built in dampers used during balancing.

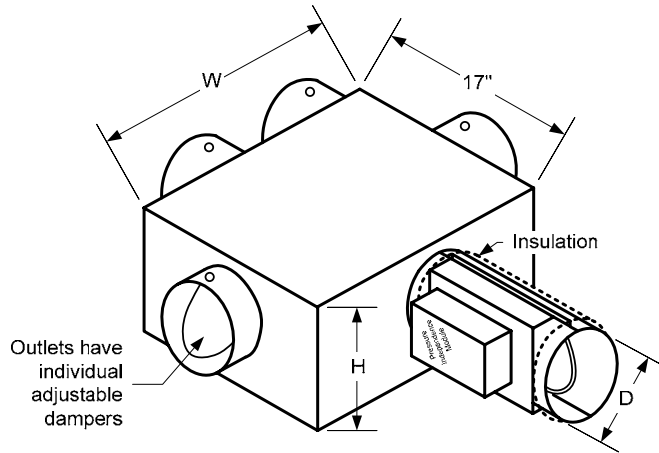


Size	D	W	H	Outlets
06	5 7/8"	11"	10"	6"
08	7 7/8"	15"	10"	8"
10	9 7/8"	16"	14"	10"
12	11 7/8"	17"	17"	12"
14	13 7/8"	18"	19"	14"
16	15 7/8"	24"	19"	16"

MOP4 – MULTIPLE OUTLETS

The Multiple Outlet plenum option -MOP4 with four outlets is available for quick connection to four ducts.

The multiple outlet plenum is especially useful if the R-PIM is to be connected to several nearby diffusers. Flex duct may be run from each diffuser to the multiple outlet plenum and the built in dampers used during balancing.



Size	D	W	H	Outlets
06	5 7/8"	11"	10"	6"
08	7 7/8"	15"	10"	8"
10	9 7/8"	16"	14"	10"
12	11 7/8"	17"	17"	12"
14	13 7/8"	18"	19"	14"
16	15 7/8"	24"	19"	16"

ACCESORIES

None