



benazzato

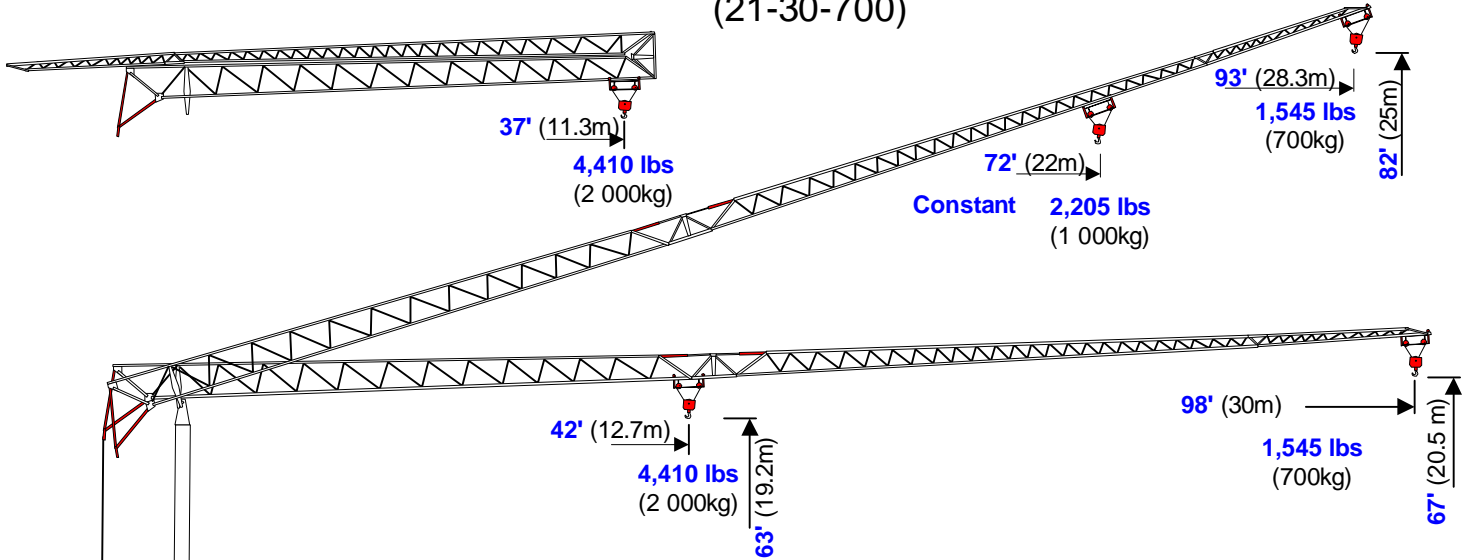
Self-Erecting Crane



1598 (1.201)

67' - 98' - 1,545 lbs

(21-30-700)

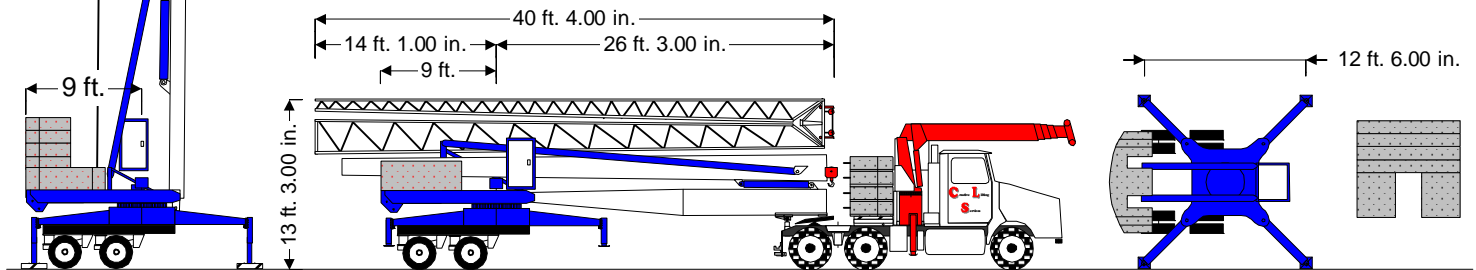


Power Requirements

Single Phase OR Three Phase
240V or 480V

Crane Weight: 22,050 lbs
 Base Ballast X 2: 6,615 lbs
 Axles: 4,500 lbs
 Total Towed Weight: 39,780 lbs

Crane Weight: 22,050 lbs
 Base Ballast X 2: 6,615 lbs
 Ballast Blocks X 4: 4,135 lbs
 Total Ballast: 29,770 lbs
 Axles: 4,500 lbs
 Total Erected Weight: 56,320 lbs



Hook Radius	ft.	40	46	52	59	66	72	79	85	92	98
	meters	12.2	14	16.0	18.0	20.0	22.0	24.0	26.0	28.0	30.0
Maximum Capacities	lbs.	4,410	3,771	3,241	2,822	2,492	2,227	2,029	1,830	1,676	1,544
	tonnes	2.00	1.71	1.47	1.28	1.13	1.01	0.92	0.83	0.76	0.70