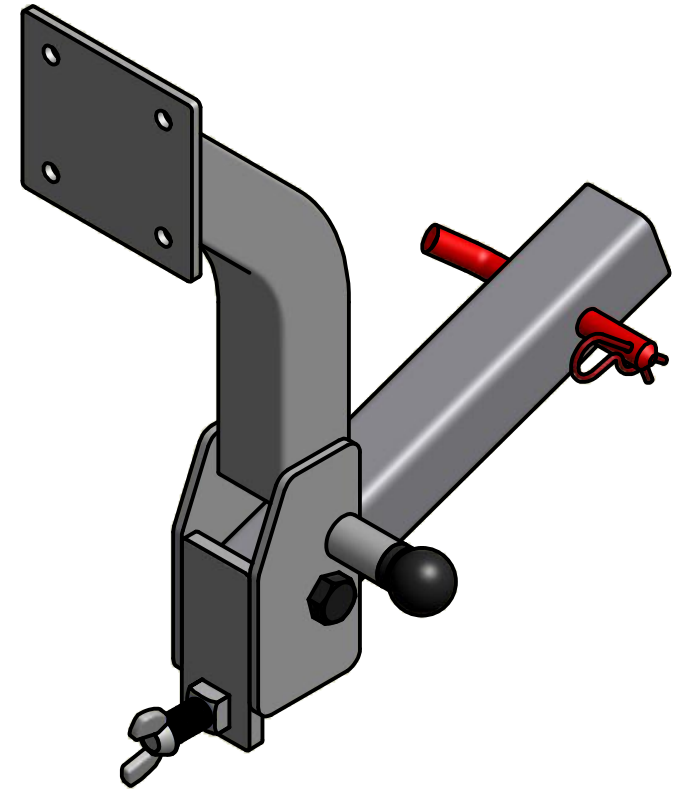
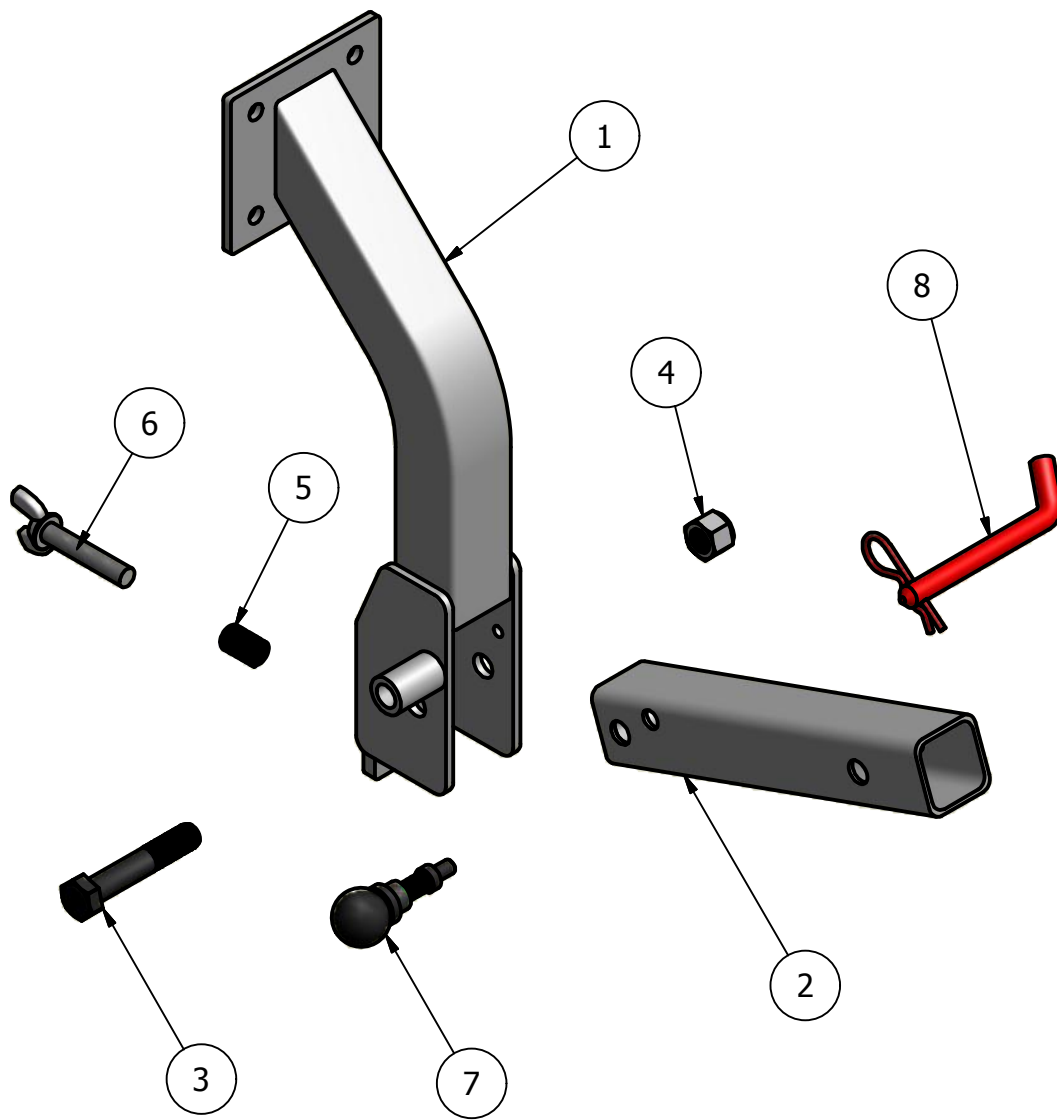


Dethatcher Arm Assy

NOTE: Part Number **DTDA** (Includes all parts below)



Parts List

ITEM	QTY	PART NUMBER	DESCRIPTION
1	1	69860012	Dethatcher Mounting Arm
2	1	69860011	Dethatcher Arm Mount
3	1	69865835	5/8-13 x 3-1/2" Bolt
4	1	69865813	5/8-13 Nyloc Nut
5	1	69860005	Wing Bolt Spring
6	1	69860006	Wing Bolt
7	1	69860003	PoP Pin W/ Lockout Position
8	1	69860002	5/8 Hitch Pin w/ Cotter Pin

REVISION HISTORY	
REV	DATE
A	4/2/2019