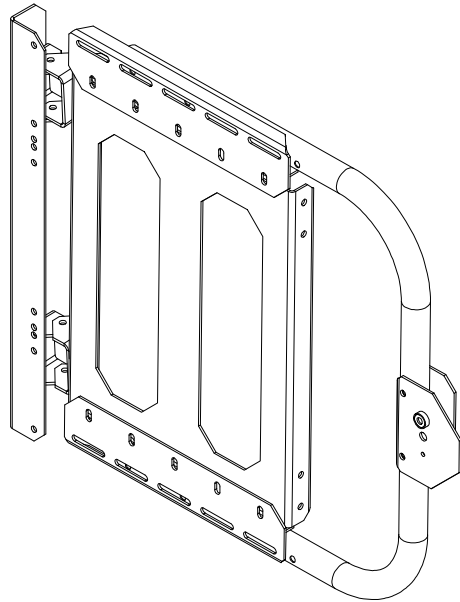
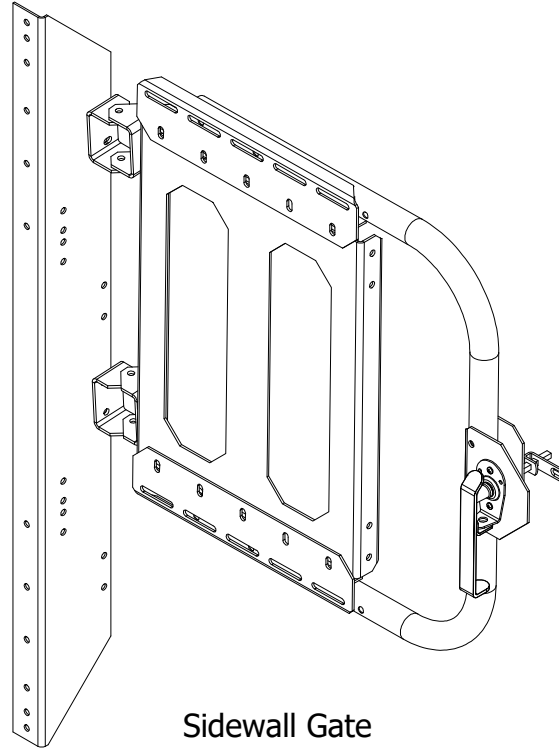


A-SERIES GATE PART NUMBERS

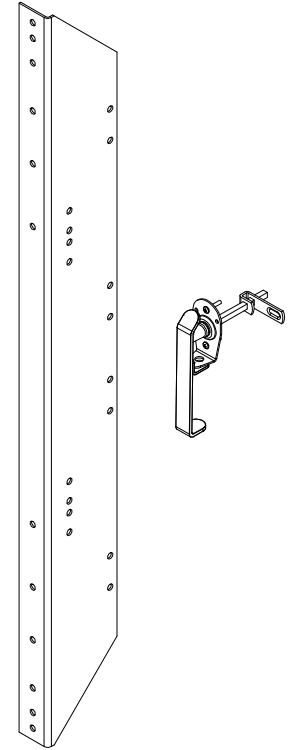
| PART NUMBER | DESCRIPTION   |
|-------------|---|
| ASG100      | A-Series Self Closing Gate Galvanized   |
| ASG150      | A-Series Sidewall Gate Galvanized   |
| ASG200      | A-Series Self Closing Gate Yellow   |
| ASG250      | A-Series Sidewall Gate Yellow   |
| ASG050      | Gate Wall Mount and Latch Galvanized<br>(converts self closing gate into sidewall gate) |



Self Closing Gate  
ASG100 or ASG200



Sidewall Gate  
ASG150 or ASG250

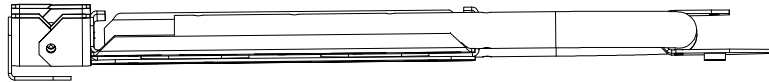
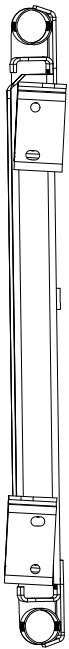


Wall Mount and Latch  
ASG050

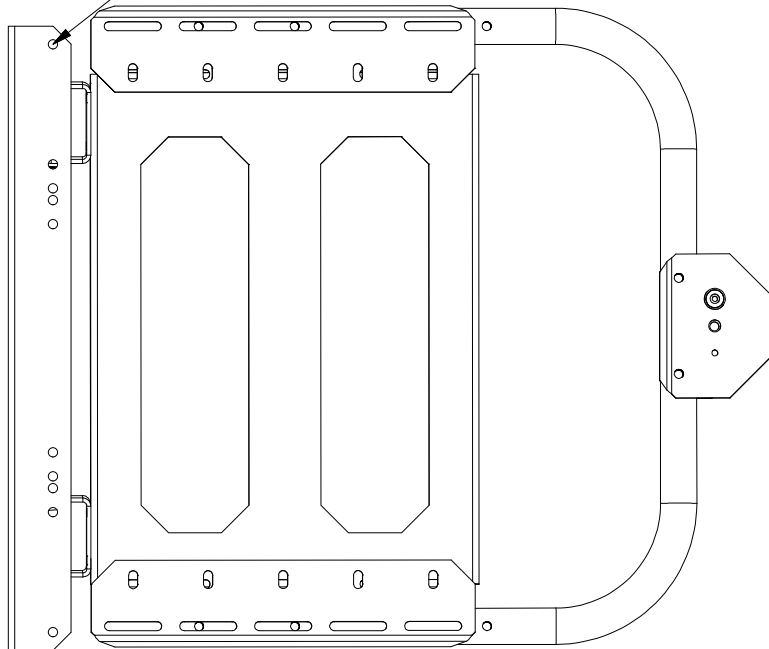


|                     |           |                                 |                          |
|---------------------|-----------|---------------------------------|--------------------------|
| DRAWN<br>Mike Adams | 5/28/2015 | Greene Galvanized Stairs        |                          |
| CHECKED             |           | TITLE                           |                          |
| QA                  |           | ASG100 Series Gate Instructions |                          |
| MFG                 |           | SIZE                            | DWG NO                   |
| APPROVED            |           | A                               | ASG100 Gate Instructions |
|                     |           | SCALE                           | REV                      |
|                     |           |                                 | SHEET 1 OF 7             |

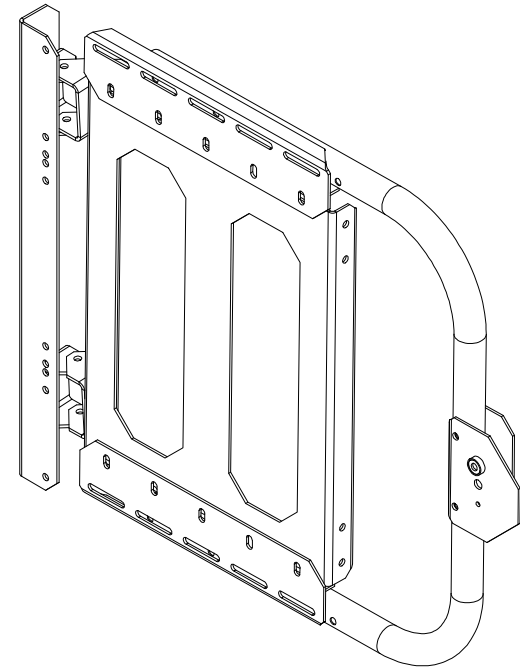
TOP  
Hinge Left  
Hinge Gate Mount Suppressed



Align with Handrail Mounts  
On Greene A-Series



Off/Below Platform View



Hinge Left Facing Outside of Inswinging Gate

Reverse for Right Hinged Gate. Gate should swing upward as it swings in, then gate should return closed by gravity after released.

Hinge Axis should be aligned so that a single rod could pass through all hinge holes at the same time See Page 3

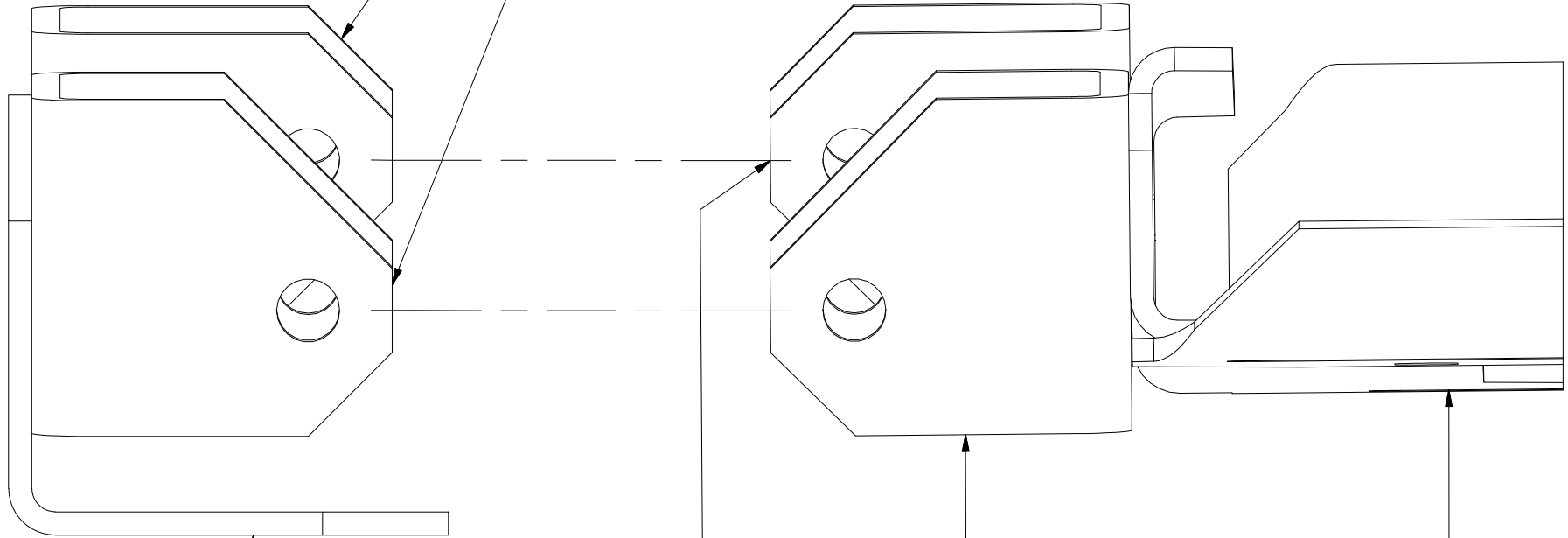


|                     |           |                                 |                          |
|---------------------|-----------|---------------------------------|--------------------------|
| DRAWN<br>Mike Adams | 5/28/2015 | Greene Galvanized Stairs        |                          |
| CHECKED             |           | TITLE                           |                          |
| QA                  |           | ASG100 Series Gate Instructions |                          |
| MFG                 |           | SIZE                            | DWG NO                   |
| APPROVED            |           | A                               | ASG100 Gate Instructions |
|                     |           | SCALE                           | REV                      |
|                     |           |                                 | SHEET 2 OF 7             |

# Overhead Left Hinged View

Bottom Hinge Pin opposite top hinge (pin facing in)

Top Hinge Pin Near Exit Side



Surface Mounted to Post Facing Exit Side  
Left Hinge Shown

Top Hinge Pin Near Exit Side

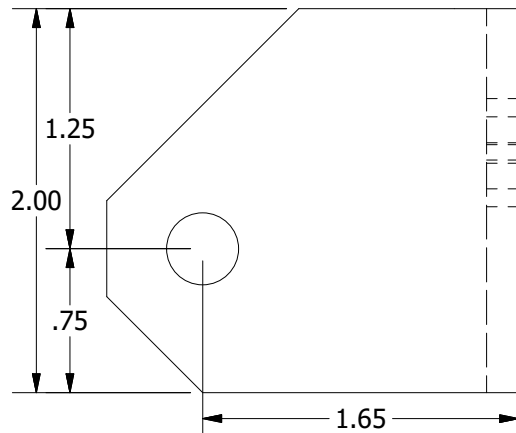
Exit Side Gate Face

Bottom Hinge Pin Near Platform Side

## Hinge Axis View

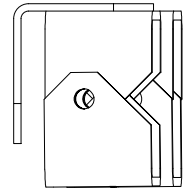
Important !

Once Gate is assembled, if hinges bind, loosen to allow hinge axis to unbind, as if there were one hinge pin through the top and bottom pairs hinges.



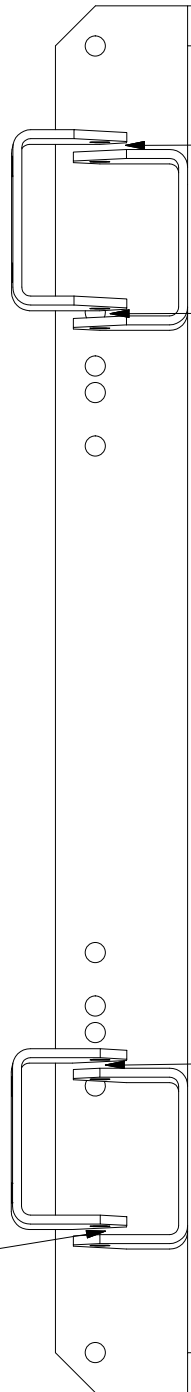
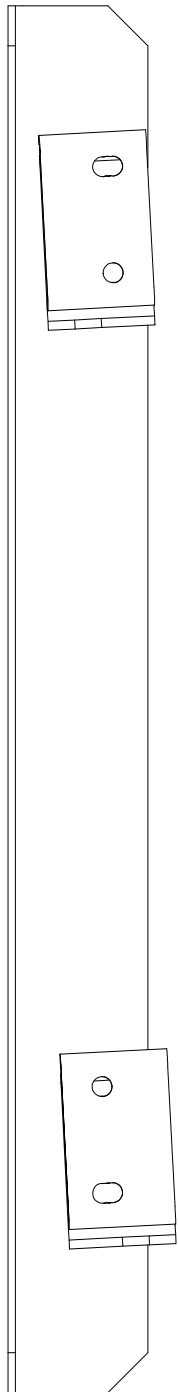
|                     |           |                                 |                                    |
|---------------------|-----------|---------------------------------|------------------------------------|
| DRAWN<br>Mike Adams | 5/28/2015 | Greene Galvanized Stairs        |                                    |
| CHECKED             |           | TITLE                           |                                    |
| QA                  |           | ASG100 Series Gate Instructions |                                    |
| MFG                 |           | SIZE<br>A                       | DWG NO<br>ASG100 Gate Instructions |
| APPROVED            |           | SCALE                           | REV                                |
|                     |           |                                 | SHEET 3 OF 7                       |

B ↓      ↓ B



**VIEW B-B  
SCALE 1/3.6**

Exit Side  
Left Hinged



Two Washers

Two Washers

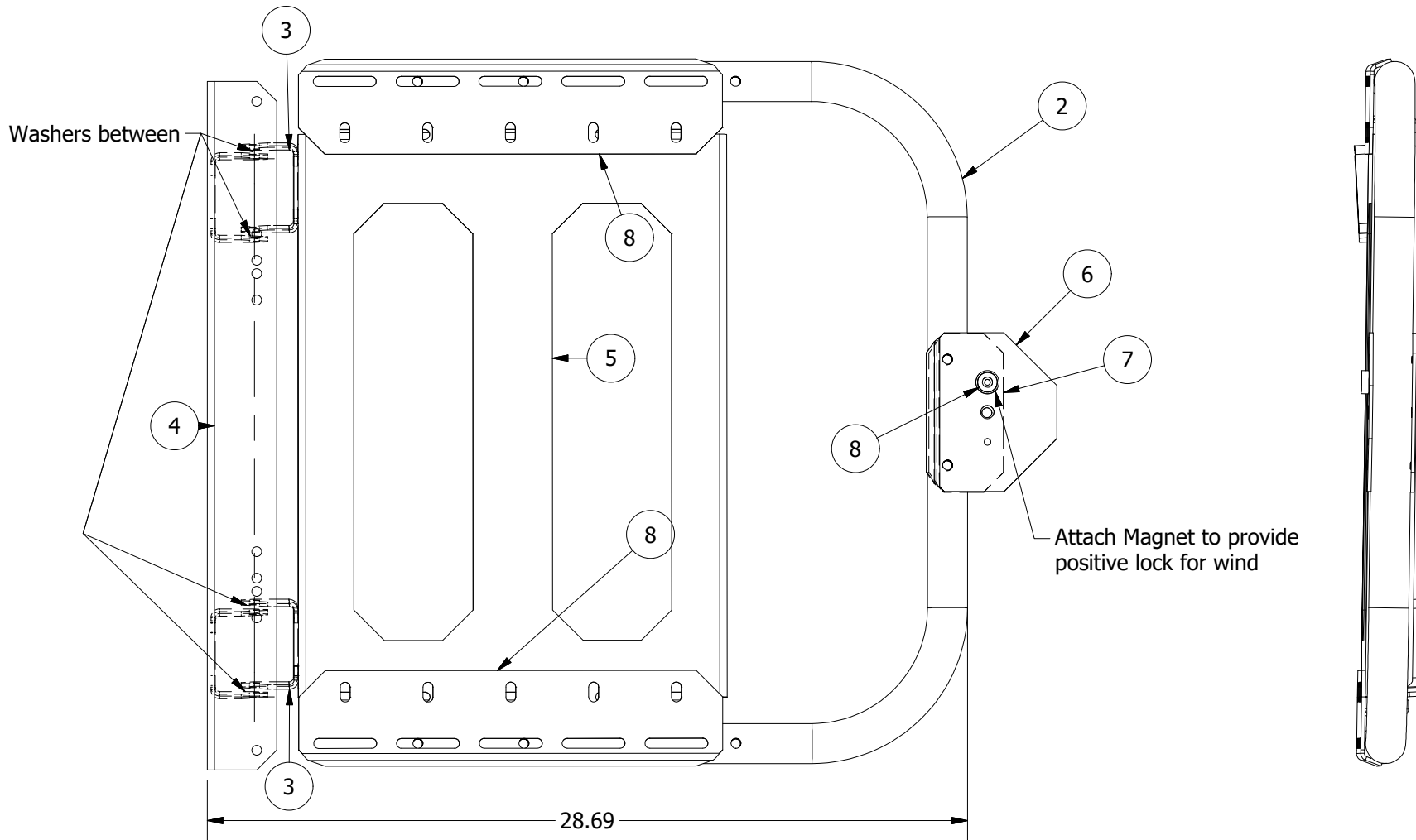
Right Side View  
from inside Platform

Two Washers

Two Washers



|                     |           |                                 |                          |
|---------------------|-----------|---------------------------------|--------------------------|
| DRAWN<br>Mike Adams | 5/28/2015 | Greene Galvanized Stairs        |                          |
| CHECKED             |           | TITLE                           |                          |
| QA                  |           | ASG100 Series Gate Instructions |                          |
| MFG                 |           | SIZE                            | DWG NO                   |
| APPROVED            |           | A                               | ASG100 Gate Instructions |
|                     |           | SCALE                           | REV                      |
|                     |           |                                 | SHEET 4 OF 7             |



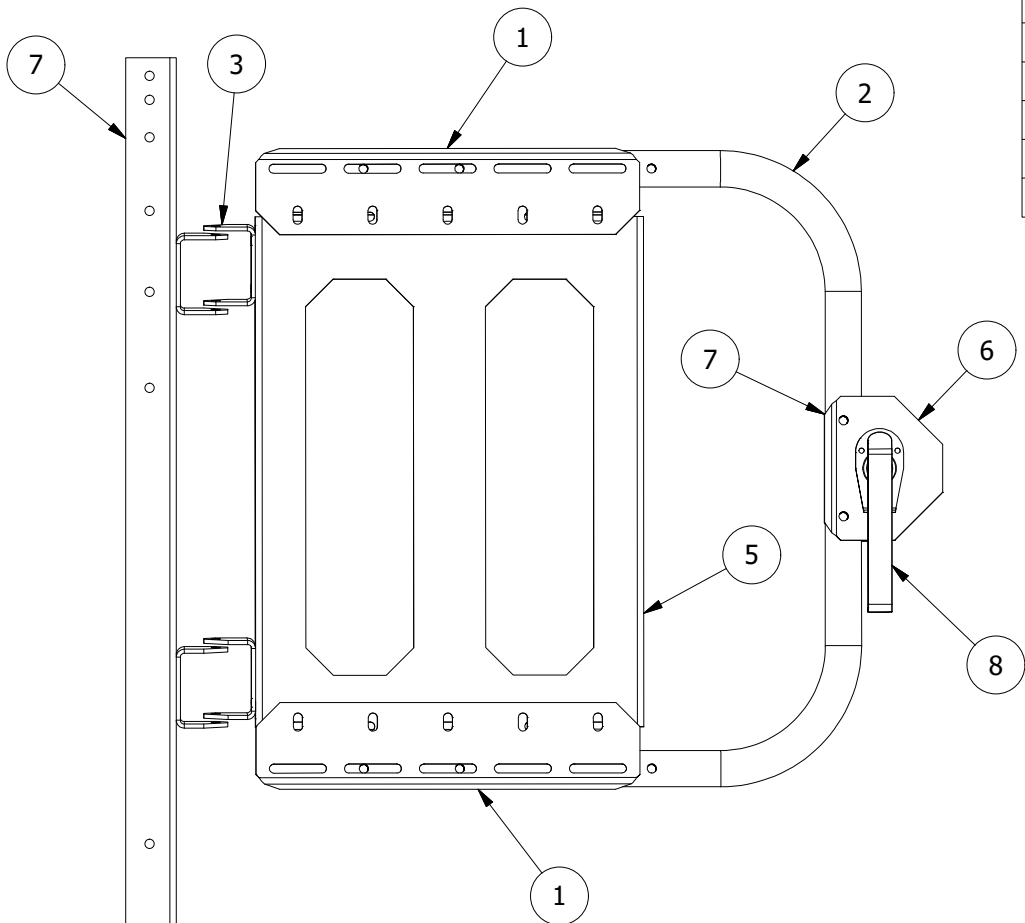
PARTS LIST - ASG100 GATE

| ITEM | QTY | PART NUMBER | DESCRIPTION          |
|------|-----|-------------|----------------------|
| 1    | 2   | ASG-104     | Pipe Mount Plate     |
| 2    | 1   | ASG-105     | 1.5" Gate Pipe       |
| 3    | 4   | ASG-102     | Offset Hinge         |
| 4    | 1   | ASG-101     | Hinge Gate Mount     |
| 5    | 1   | ASG-103     | Gate Base Plate      |
| 6    | 1   | ASG-106     | Latch Mount          |
| 7    | 1   | ASG-107     | Latch Support        |
| 8    | 1   | HW-Magnet   | Magnet and Fasteners |

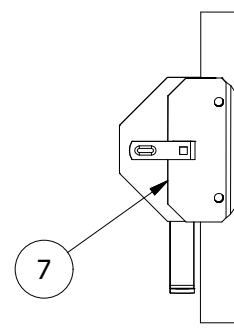


|   |                                    |                                   |              |
|---|------------------------------------|-----------------------------------|--------------|
| DRAWN<br>Mike Adams<br>CHECKED<br>QA<br>MFG<br>APPROVED | 5/28/2015                          | TITLE<br>Greene Galvanized Stairs |              |
|   |                                    | ASG100 Series Gate Instructions   |              |
| SIZE<br>A<br>SCALE                                      | DWG NO<br>ASG100 Gate Instructions | REV                               | SHEET 5 OF 7 |

| PARTS LIST - ASG150 GATE |     |             |                             |
|--------------------------|-----|-------------|-----------------------------|
| ITEM                     | QTY | PART NUMBER | DESCRIPTION                 |
| 1                        | 2   | ASG-104     | Pipe Mount Plate            |
| 2                        | 1   | ASG-105     | 1.5" Gate Pipe              |
| 3                        | 4   | ASG-102     | Offset Hinge                |
| 4                        | 1   | ASG-103     | Gate Base Plate             |
| 5                        | 1   | ASG-106     | Latch Mount                 |
| 6                        | 1   | ASG-107     | Latch Support               |
| 7                        | 1   | ASG-109     | Galvanized Gate Wall Base   |
| 8                        | 1   | HW-Latch    | Gate Latch Hardware Package |



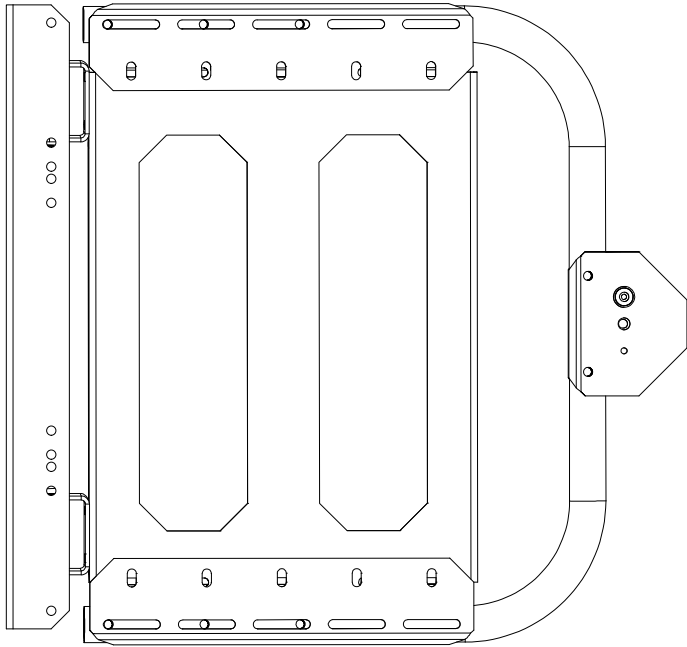
Sidewall Gate  
Front View



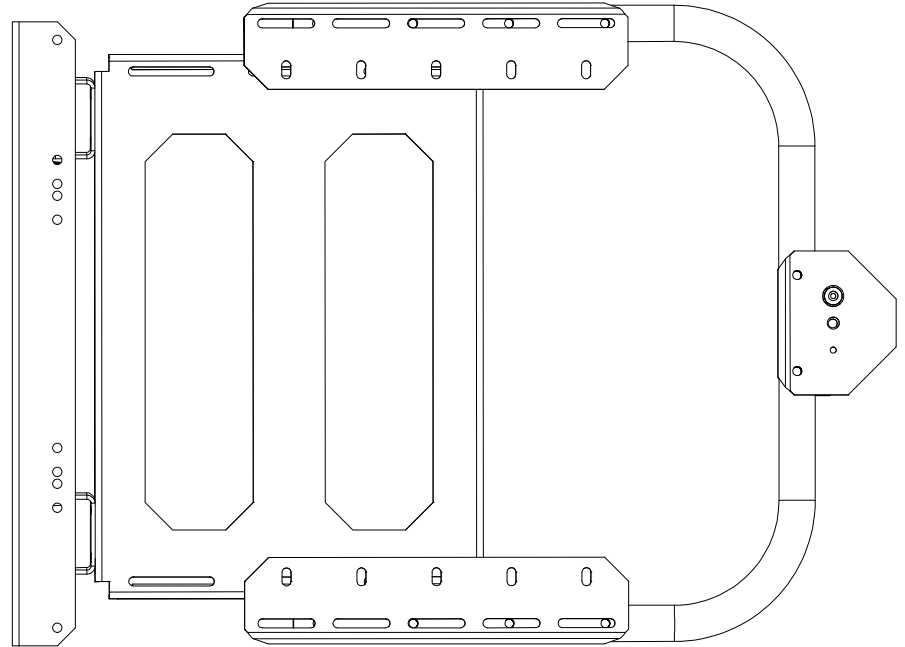
Back View of  
Latch Support



|                     |           |                                 |                                    |
|---------------------|-----------|---------------------------------|------------------------------------|
| DRAWN<br>Mike Adams | 5/28/2015 | Greene Galvanized Stairs        |                                    |
| CHECKED             |           | TITLE                           |                                    |
| QA                  |           | ASG100 Series Gate Instructions |                                    |
| MFG                 |           | SIZE<br>A                       | DWG NO<br>ASG100 Gate Instructions |
| APPROVED            |           | SCALE                           | REV                                |
|                     |           |                                 | SHEET 6 OF 7                       |



Narrow Adjustment Position



Wide Adjustment Position



|                     |           |                                 |                          |
|---------------------|-----------|---------------------------------|--------------------------|
| DRAWN<br>Mike Adams | 5/28/2015 | Greene Galvanized Stairs        |                          |
| CHECKED             |           | TITLE                           |                          |
| QA                  |           | ASG100 Series Gate Instructions |                          |
| MFG                 |           | SIZE                            | DWG NO                   |
| APPROVED            |           | A                               | ASG100 Gate Instructions |
|                     |           | SCALE                           | REV                      |
|                     |           |                                 | SHEET 7 OF 7             |