

NCS-E217-5V

Compact Hand Microphone



collcomm inc

Collcomm, Inc.

TEL/FAX: (888) 883-5788
EMAIL: support@ncsradio.com
Website: www.collcomminc.com

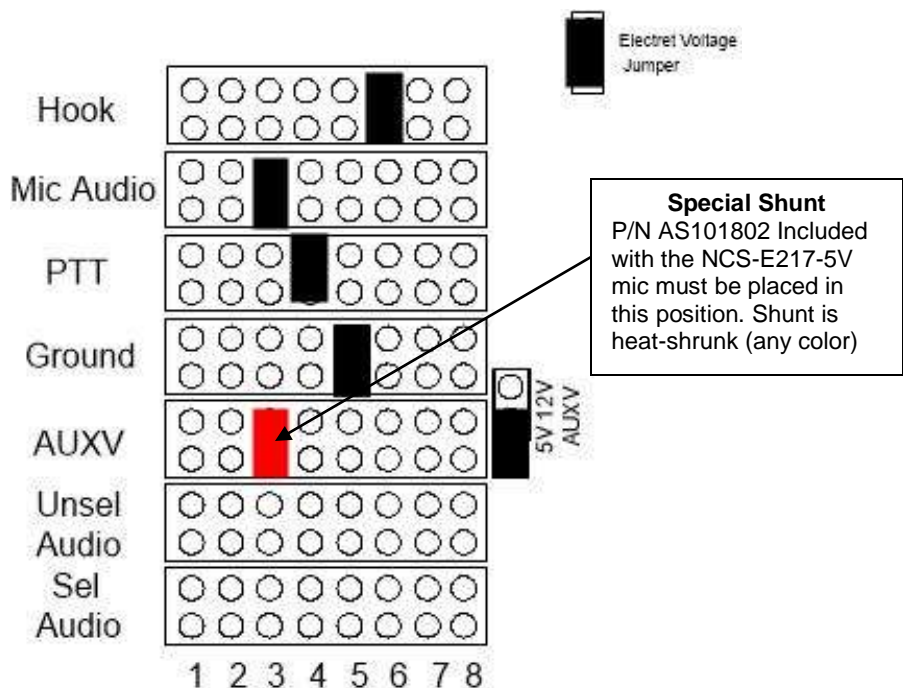
Using the NCS-E217-5V Hand Mic with the NCS-C250 Mobile Multi-Switcher

Before attaching the NCS-E217-5V mic to the NCS-C250 the microphone connector pin functions must be programmed in the NCS-C250. Remove the cover of the NCS-C250 and refer to the NCS-C250 Instruction Manual for the location of the microphone setup pins.

To program the functions of the pins on the microphone connector, use the shunts supplied in the NCS-C250 Accessory Kit and the Special Shunt supplied with the NCS-E217-5V mic to jumper the appropriate microphone pin numbers to the corresponding signals on the **MIC CONN PIN** jumper blocks in the NCS-C250.

NOTE: If the NCS-E217-5V Hand Mic was purchased at the same time as the NCS-C250 the microphone shunts will be installed at the factory and the above steps are not necessary.

The proper NCS-C250 shunt placement for using the NCS-E217-5V Hand Mic is shown below:



Hook Switch

The Hook Switch function is only available if the Hook Switch option board is installed in the NCS-C250 (C250A through C250D versions) or if the unit is a NCS-C250E version or later. To activate the Hook Switch function refer to the section on "Option Board Basic Setup" in the NCS-C250 Instruction Manual (A-D versions) or Section 9.0 in the C250E Instruction Manual and place a shunt on pin 6 of Jumper Block J8 located on the Option Board (A-D versions) or J10 on the C250E main board..

After all shunts are installed refer to the NCS-C250 Instruction Manual and set the mic audio level for proper audio output.

Microphone Plug Pin Assignments

