

Q-RAILING®

STAINLESS STEEL AND GLASS RAILING SYSTEMS

bezdanQ-railing.com

Quality • Safety • Innovation

In Europe, Asia, Australia and the Americas, Q-railing is the premier choice for stairs, balconies, and decks for residential, commercial and institutional projects.

Innovative modular stainless steel systems offer a complete solution or customize by combining components to meet design preferences and construction challenges.

See why Q-railing is trusted and specified for a range of projects including shopping centers, stadiums, hotels and public institutions.

Glass Railing Systems

- Easy Glass® Slim
The industry's slimmest base shoe. A dry glaze railing system for light to medium use.
- Easy Glass® Max
A dry glaze base shoe with maximum strength for heavy to extremely heavy use.
- Easy Glass® Clamps and Adapters
Base glass clamps and adapters provide high design and ultimate transparency.

Baluster Railing Systems

- Q-line®
A baluster railing system with round, smooth forms that complement a variety of infill options.
- Square Line®
A baluster railing system with a contemporary look featuring square and rectangular forms.
- Quickrail®
A baluster railing system with a uniquely designed hidden slide track in the post.



Figure 1 - Coventry University, England

Stainless Steel for Indoor and Outdoor Use

Ordinary steel is naturally corrosive, whereas stainless steel is an alloy composed of varying amounts of added metals to create long lasting corrosion, rust and stain resistant properties. Stainless steel is naturally protected by a passive layer of chromium oxide when chromium in the alloy combines with oxygen in the atmosphere.

Stainless steel is distinguished by type according to its alloy composition. The most common stainless steels used in architectural applications are Alloy 304 and 316. Selecting the right stainless steel should be determined by the potential exposure to environmental corrosion.

ALLOY 304

Type 304 stainless steel is the industry standard for interior use as the potential for corrosion is low in most indoor environments. Type 304 stainless steel may also be used in low corrosion exterior applications.

ALLOY 316

Type 316 stainless steel is more resistant to corrosion and is recommended for outdoor use. High corrosion environments include areas exposed to sea water or de-icing salt, areas of high industrial or urban pollution, or hot, humid locations with salt or pollution and low to no rainfall.

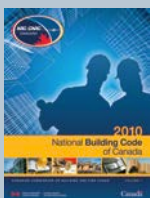
INDOOR = Alloy 304
INDOOR OUTDOOR = Alloy 316
OUTDOOR = Alloy 316

Corrosion	Suitable for	Alloy 304	Alloy 316
Low	Indoor structures (no wet spaces).	✓	✓
Moderate	Indoor structures without noticeable chlorine and sulphur dioxide load (e.g. semi-chemical factories).	✓	✓
Medium	Outdoor structures with moderate chlorine and sulphur dioxide load (e.g. inland, at least 15.5 miles from the coast or other aquatic environments).	✗	✓
High	Outdoor structures with a high degree of corrosion due to chlorine and/or sulphur dioxide load; high humidity; accumulation of harmful substances (e.g. in coastal regions and swimming pool environments).	✗	✓

MAINTENANCE

The level of maintenance required to keep stainless steel attractive in any given environment is determined by the stainless steel grade, finish, location, design, and aesthetic preferences. Detailed stainless steel care and maintenance guide available in "Resources" and at bezdanQ-railing.com.

Building Code Information



Q-railing® has been designed, developed and tested to meet industry norms. This product information is not intended for use as a recommendation for using or installing Q-railing. It is the customer's responsibility to ensure compliance with local, provincial or national building codes. Always consult with your local building department or licensed engineer before starting your project to ensure compliance with your local code.

National Building Code cover image reproduced with the permission of the National Research Council of Canada, copyright holder.

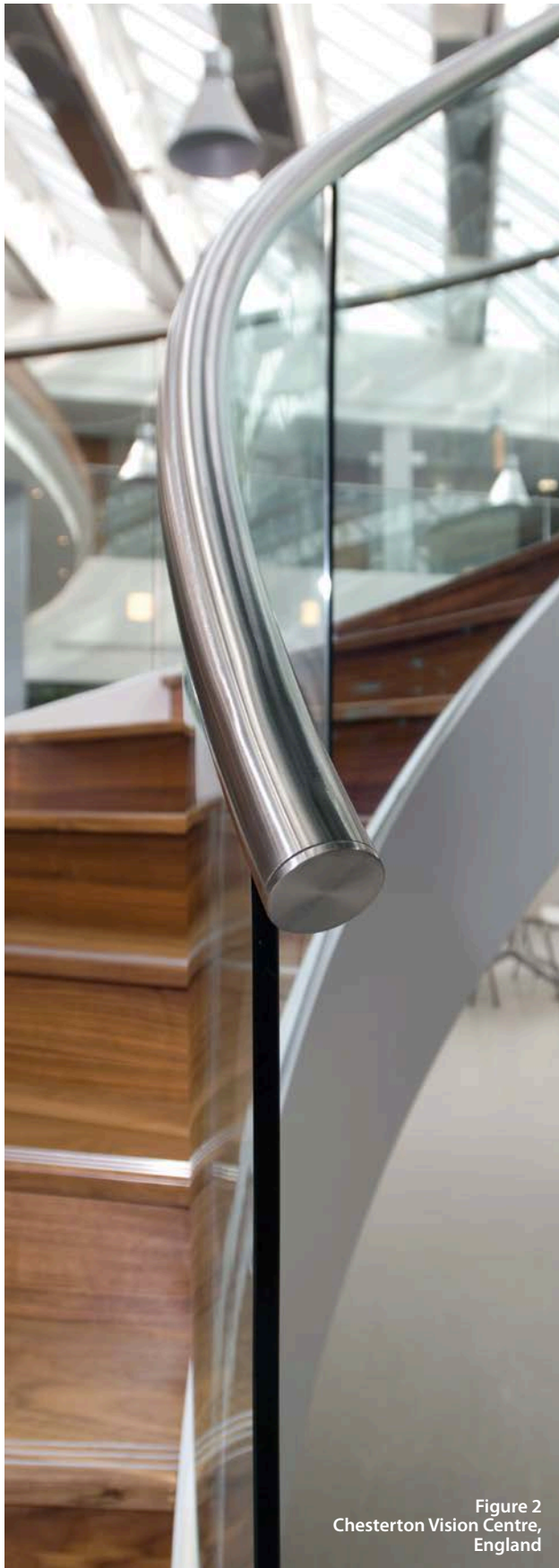


Figure 2
Chesterton Vision Centre,
England

Easy Glass® Slim Structural Glass Base Shoe

The industry's slimmest profile ever! The Easy Glass Slim base shoe is only 1-3/4" wide. This dry glaze railing system for light to medium use is ideal for residential and commercial buildings.

Sleek and elegant, this light-weight anodized aluminum base shoe is finished with a brushed stainless steel effect, rendering cladding optional.

These minimalist glass railings have been test approved and provide the ultimate combination of safety, transparency and affordability.

Features

- Industry's slimmest base shoe
- Test approved
- Cladding optional

Easy Glass Slim glass specifications:

- 1/2" to 3/4" (12mm to 19mm) monolithic glass
- 1/2" to 9/16" (12.76mm to 17.52mm) laminated toughened glass

The Dry Glaze Advantage



**75% labor
efficiency!**

- No cement to cure
- Mess-free clean up
- Easily remove/replace glass

Product dimensions will have some variation due to the manufacturing process. Product dimensions should be checked prior to commencing installation. Do not scale dimensions from drawings.

Performance

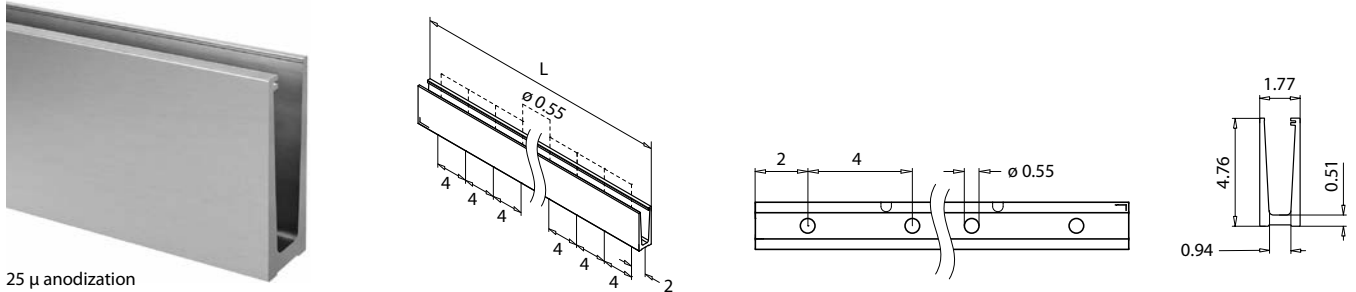
Easy Glass Slim has been fully tested to current ASTM, ICC and Miami-Dade standards. All reports show resistance to point loads of 800 lbs. and line loads of 200 lbs. per foot. Technical reports available upon request.

Easy Glass® Slim - Top Mount

BASE SHOE

Easy Glass® Slim top mount base shoe is available in two finishes: stainless steel effect and raw.

The base shoe combined with the rubber set, shown below, accommodates a range of laminated or monolithic glass sizes and together create the Safety Wedge System.



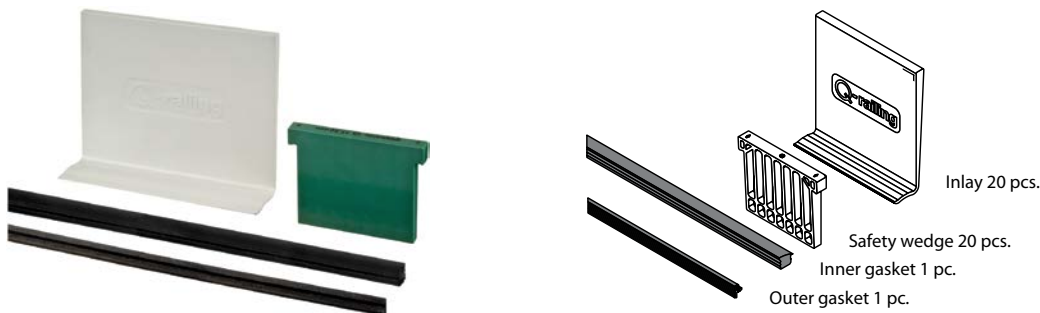
Suggested Fastener: QS-197 (indoor), QS-519 (outdoor)

Part #	Finish	Alloy	Material	Length (L)	INDOOR	OUTDOOR
					Weight	Weight
16.6904.300.18	Stainless Steel Effect	6063-T5	Aluminum	10' (3048mm)	44 lbs. ea	
◆ 16.6914.300.00	Raw	6063-T5	Aluminum	10' (3048mm)	40 lbs. ea	

Products marked with a ◆ are available on special order. Contact your Sales Representative for more information.

BASE SHOE RUBBER SET

Rubber sets used in conjunction with the base shoe, shown above, accommodate a range of laminated or monolithic glass sizes and together create the Safety Wedge System. Use one set for each length of base shoe.



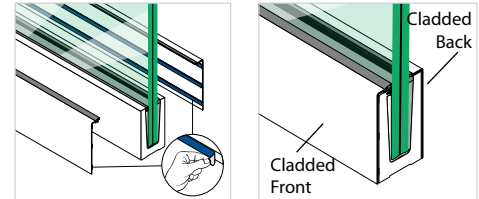
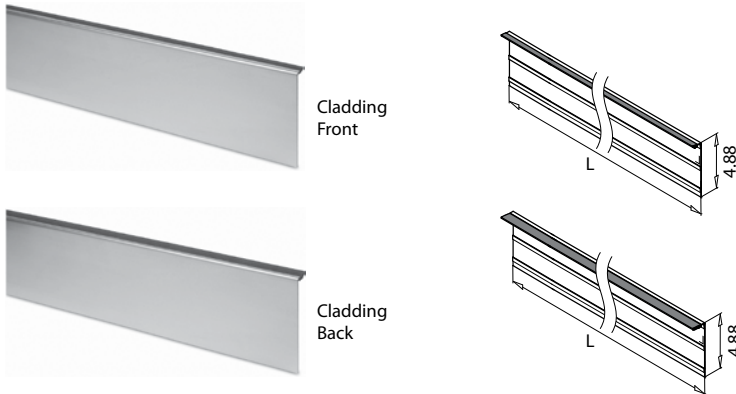
Part #	Glass Size (T)	Length (L)	INDOOR	OUTDOOR
			Weight	Weight
19.6904.912.00	1/2" monolithic (12mm)	10' (3048mm)	6.80 lbs. ea	
◆ 19.6904.913.00	1/2" laminated (12.76mm)	10' (3048mm)	6.70 lbs. ea	
◆ 19.6904.914.00	9/16" laminated (13.52mm)	10' (3048mm)	6.70 lbs. ea	
◆ 19.6904.917.00	5/8" laminated (16.76mm)	10' (3048mm)	6.70 lbs. ea	
◆ 19.6904.918.00	11/16" laminated (17.52mm)	10' (3048mm)	6.70 lbs. ea	
◆ 19.6904.919.00	3/4" monolithic (19mm)	10' (3048mm)	6.70 lbs. ea	

Products marked with a ◆ are available on special order. Contact your Sales Representative for more information.

Easy Glass® Slim - Top Mount

BASE SHOE CLADDING

Optional cladding is available in stainless steel and is a harmonious match with the Easy Glass® stainless steel cap rail.



Installation Tip:
Cladding is conveniently supplied with 3M™ VHB™ double-sided pressure sensitive adhesive foam tape. If cutting the cladding, be sure to remove tape surrounding the cut line to limit adhesive transfer to the blade.

INDOOR

Part #	Description	Glass Size (T)	Alloy	Length (L)	Weight
◆ 13.6920.004.12	Cladding Front	All Sizes	304	8.2' (2500mm)	9.87 lbs. ea
◆ 13.6921.124.12	Cladding Back	1/2" monolithic (12mm)	304	8.2' (2500mm)	10.13 lbs. ea
◆ 13.6921.134.12	Cladding Back	1/2" - 9/16" lam. (12.76 - 13.52mm)	304	8.2' (2500mm)	10.07 lbs. ea
◆ 13.6921.174.12	Cladding Back	5/8" - 11/16" lam. (16.76 - 17.52mm)	304	8.2' (2500mm)	9.32 lbs. ea
◆ 13.6921.194.12	Cladding Back	3/4" monolithic (19mm)	304	8.2' (2500mm)	9.86 lbs. ea

Products marked with a ◆ are available on special order. Contact your Sales Representative for more information.

Important! Consult Local Building Authorities

The Easy Glass® base shoes, safety wedge system and recommended fasteners are engineered and tested to meet or exceed model code requirements. Testing does not include the structural integrity of the mounting substrate.

We recommend that each project undergo site specific tests and approval with architects, engineers, and local building authorities to ensure code criteria are met for a safe, long lasting installation.

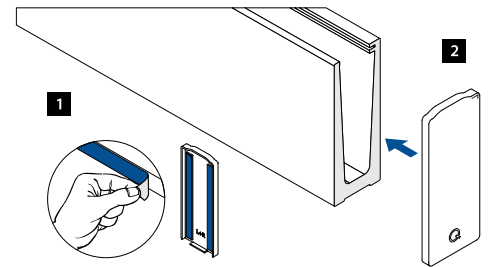
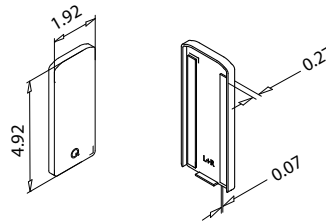
Easy Glass® Slim - Top Mount

BASE SHOE END FITTINGS

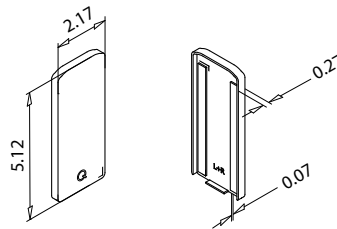
When opting for no cladding, select the aluminum end fittings to match the finish of the base shoe. Alternatively, the zinc end fitting in a stainless steel effect finish is available for use with stainless steel cladding. Top mount end fittings suit left and right side.

For Level Applications

Aluminum End Fitting



Zinc End Fitting

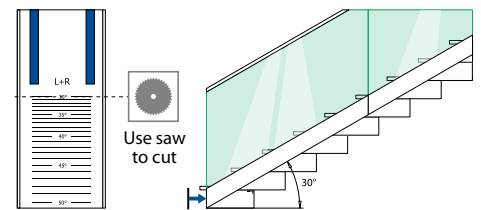
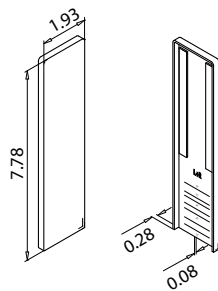


End fittings are conveniently supplied with 3M™ VHB™ double-sided pressure sensitive adhesive foam ready to be installed.

1. Simply remove protective strip to expose adhesive.
2. Press end fitting against the appropriate end of the railing base to create a high-strength bond.

For Angled Applications

Aluminum End Fitting



Easily adapt the end fitting for stairs by using a saw to cut along marked increments. Suitable for angles from 30° to 50°.

Part #	Applications	Side	Finish	Material	Environment	
					INDOOR	OUTDOOR
16.6734.004.18	Level, Without Cladding	Left, Right	Stainless Steel Effect	Aluminum		0.12 lbs. ea
◆ 10.6734.004.20	Level, With Cladding	Left, Right	Stainless Steel Effect	Zinc		0.36 lbs. ea
16.6736.004.18	Angled, Without Cladding	Left, Right	Stainless Steel Effect	Aluminum		0.19 lbs. ea

Products marked with a ◆ are available on special order. Contact your Sales Representative for more information.

Easy Glass® Slim - Top Mount

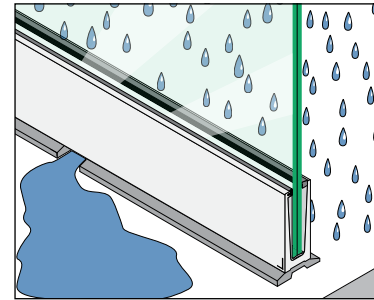
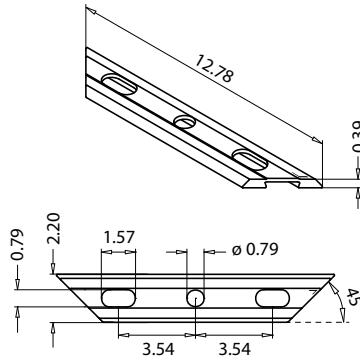
BASE SHOE DRAINAGE PROFILE

For exterior applications, the uniquely designed drainage profile ensures maximum drainage efficiency. The trapezoidal shaped profile laid in an alternating pattern beneath the base shoe creates paths for moisture to flow.

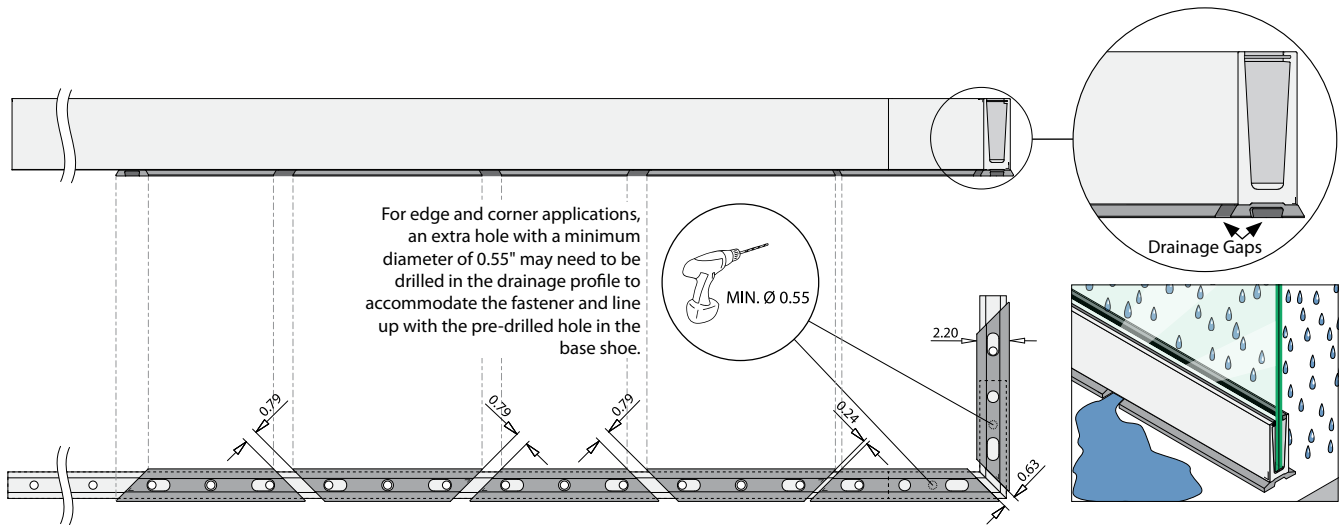
Oval openings that accommodate fasteners in the drainage profile allow margins for variability.



International Design Model Protection



Moisture is efficiently eliminated via the gaps between drainage profiles.



INDOOR OUTDOOR

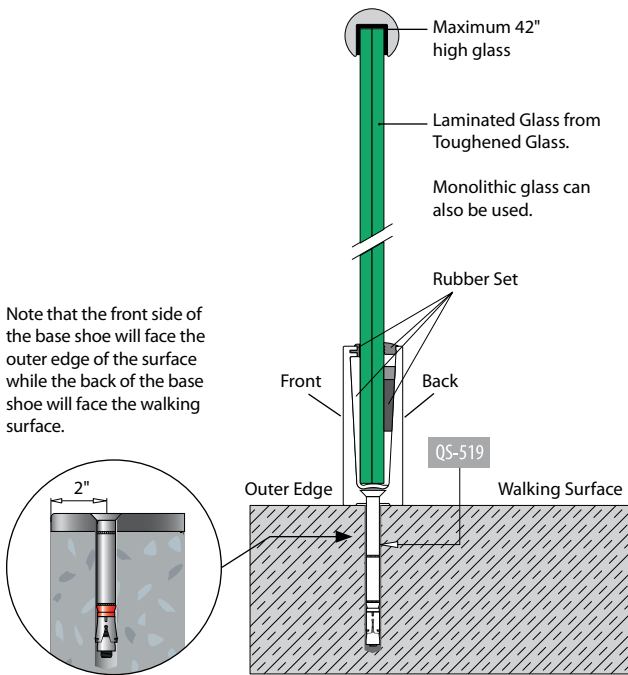
Part #	Finish	Material	Weight
16.6948.004.18	Stainless Steel Effect	Aluminum	0.66 lbs. ea

Drainage profiles are sold individually. A total of eight profiles are required for a 10' base shoe.

Easy Glass® Slim - Top Mount Installation Guide

PREPARING TO SET THE BASE SHOE

The minimum distance a base shoe can be installed from the edge of concrete is 2" when working with engineer-approved quality uncracked concrete that has a PSI of 3,000.



A Plumb Base Shoe is Key!

The most critical aspect of installation is to achieve a plumb base shoe. Always measure the plumb line from the inside channel of the base shoe.

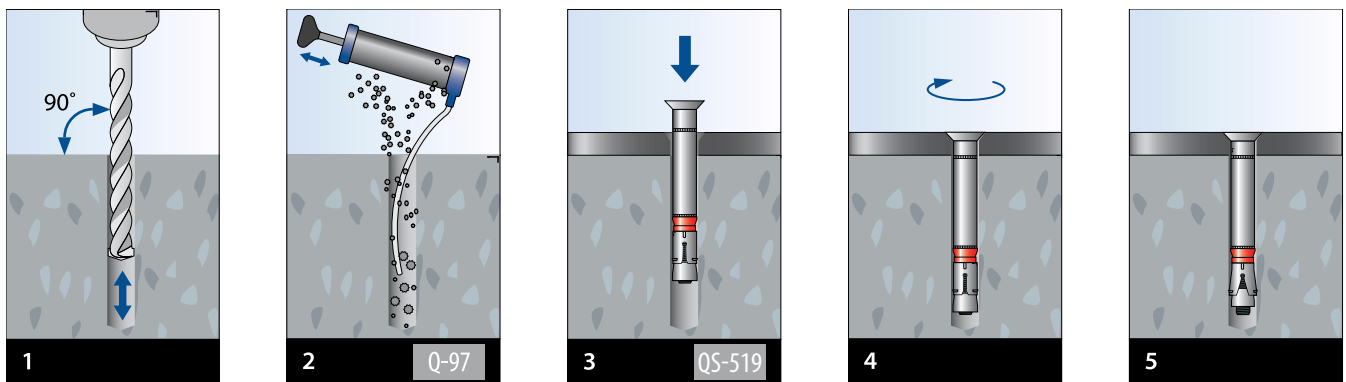


Be prepared to shim any surface with a choice of assorted mounting plates. Variable lengths and widths offer maximum flexibility and save time. Find Mounting Plates, Q-62 under "Accessories" page 72.

IMPORTANT! Installing on Wood

Consult an engineer for recommended reinforcement if mounting the Easy Glass® Slim top mount base shoe to wood.

PREPARING THE ANCHOR HOLES



1 Pre-drill anchor holes into the surface at 90°.

2 Drill holes can be cleared of debris with an air pump.

3 Position the base shoe and insert anchors.

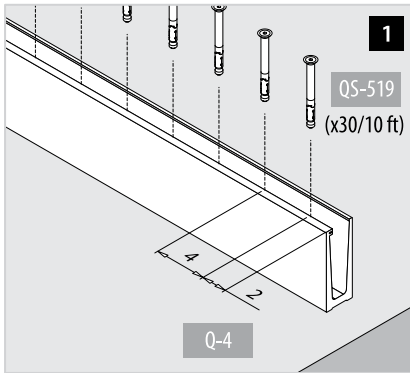
4 Turn the anchor to the right to tighten.

5 Tighten the anchor until the head is flush with the inside of the base channel.

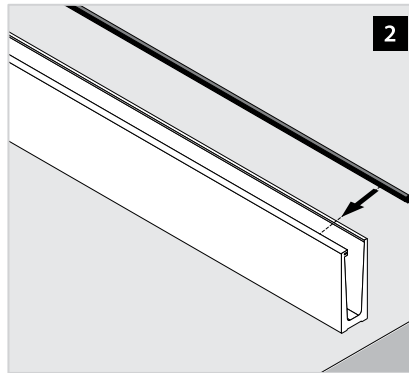
Mounting details are available for download as CAD or PDF files at bezdanQ-railing.com.

Easy Glass® Slim - Top Mount Installation Guide

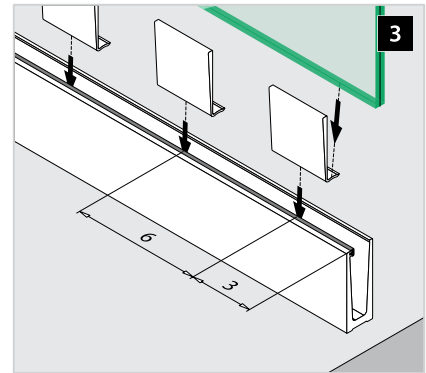
INSTALLING THE GLASS RAILING SYSTEM



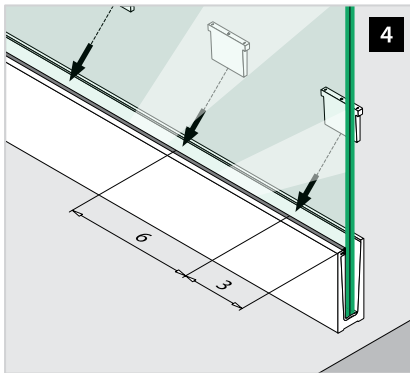
Fasten the base shoe 2" from its edge and every 4" in between. A total of 30 fasteners are required for each 10' length (sold separately).



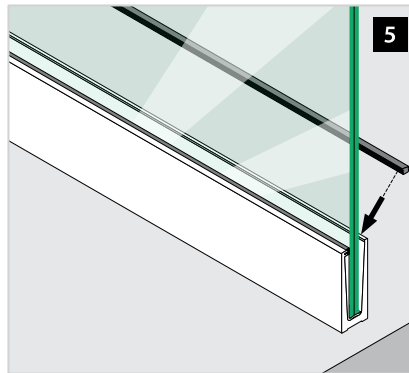
Place the outer gasket into the lip on the inside edge of the front of the base shoe channel.



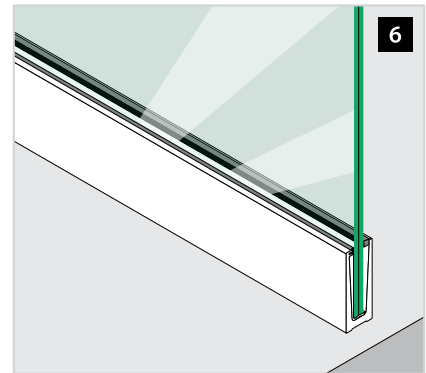
Set the first inlay 3" on center from the end and every 6" on center thereafter. Twenty (20) inlays are required for each 10' length (included in kit).



Secure glass in place by inserting a safety wedge 3" on center from the end and every 6" on center thereafter. Twenty (20) safety wedges are required for each 10' length (included in kit).



After securing the glass, insert the inner gasket to seal the gap between the glass and the back of the base shoe. Optional cladding may be added but is not necessary.



The dry glaze system is complete and requires no wait time for curing. Simply wipe surfaces with applicable cleaners.

Mounting details are available for download as either CAD or PDF files at bezdanQ-railing.com.

Multi-tool

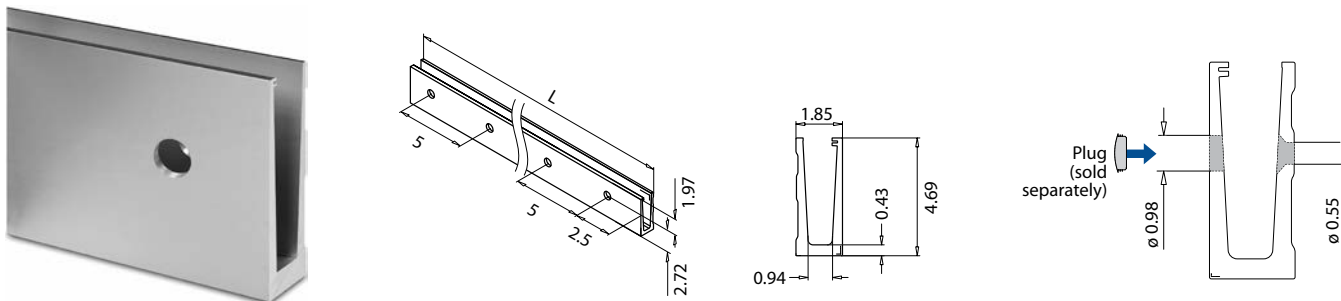
The multi-tool enables quick and easy installation of the inlay and is equally efficient for removal and adjustment of glass, if necessary. Find the multi-tool, Q-71 under "Accessories" page 71.



Easy Glass® Slim - Fascia Mount

BASE SHOE

The base shoe combined with the rubber set, shown below, accommodates a range of laminated or monolithic glass sizes and together create the Safety Wedge System.



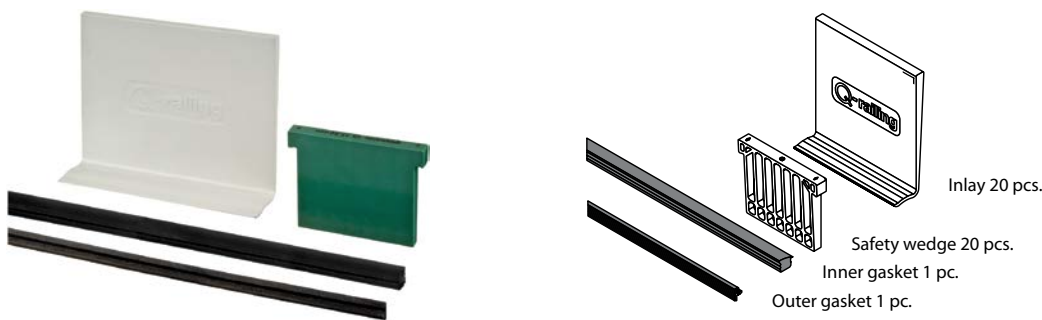
Suggested Fastener: QS-197 (indoor), QS-519 (outdoor)

Part #	Finish	Alloy	Material	Length (L)	Weight	
					INDOOR	OUTDOOR
◆ 16.6905.300.18	Stainless Steel Effect	6063-T5	Aluminum	10' (3048mm)	44.00 lbs. ea	

Products marked with a ◆ are available on special order. Contact your Sales Representative for more information.

BASE SHOE RUBBER SET

Rubber sets used in conjunction with the base shoe, shown above, accommodate a range of laminated or monolithic glass sizes and together create the Safety Wedge System. Use one set for each length of base shoe.

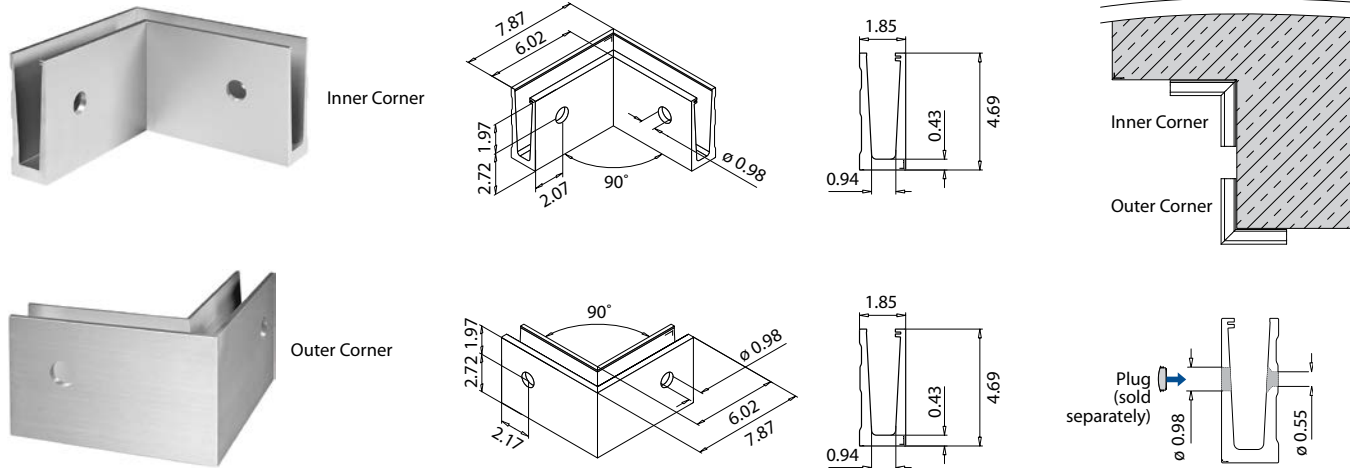


Part #	Glass Size (T)	Length (L)	Weight	
			INDOOR	OUTDOOR
19.6904.912.00	1/2" monolithic (12mm)	10' (3048mm)	6.80 lbs. ea	
◆ 19.6904.913.00	1/2" laminated (12.76mm)	10' (3048mm)	6.70 lbs. ea	
◆ 19.6904.914.00	9/16" laminated (13.52mm)	10' (3048mm)	6.70 lbs. ea	
◆ 19.6904.917.00	5/8" laminated (16.76mm)	10' (3048mm)	6.70 lbs. ea	
◆ 19.6904.918.00	11/16" laminated (17.52mm)	10' (3048mm)	6.70 lbs. ea	
◆ 19.6904.919.00	3/4" monolithic (19mm)	10' (3048mm)	6.70 lbs. ea	

Products marked with a ◆ are available on special order. Contact your Sales Representative for more information.

Easy Glass® Slim - Fascia Mount

RAILING BASE CORNERS - FASCIA MOUNT



Suggested Fasteners: QS-197 (indoor), QS-519 (outdoor)

Part #	Description	Finish	Material	Weight	
				INDOOR	OUTDOOR
◆ 16.6315.005.18	Inner Corner	Stainless Steel Effect	Aluminum	5.26 lbs. ea	
◆ 16.6316.005.18	Outer Corner	Stainless Steel Effect	Aluminum	5.46 lbs. ea	

Products marked with a ◆ are available on special order. Contact your Sales Representative for more information.

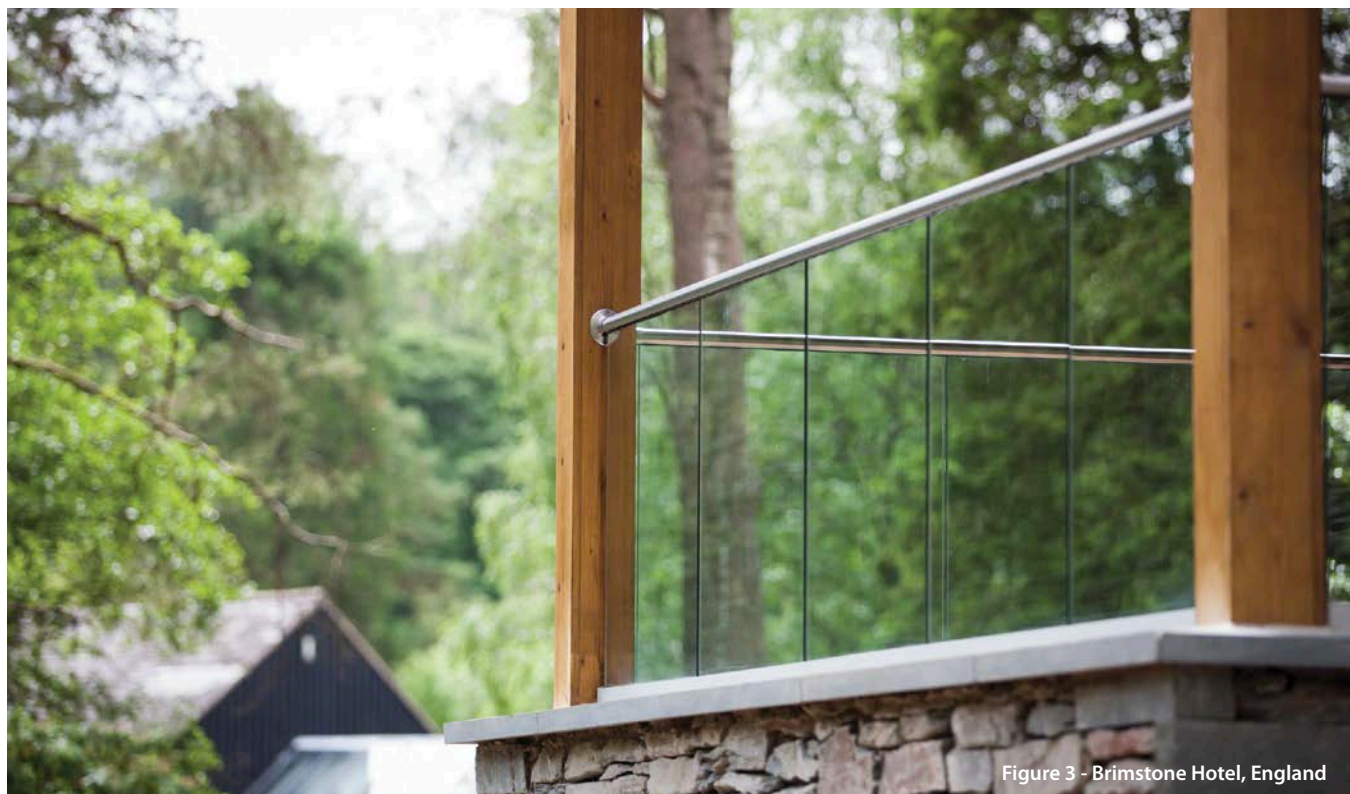


Figure 3 - Brimstone Hotel, England

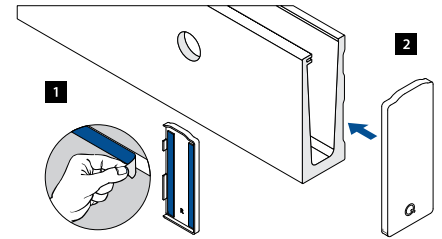
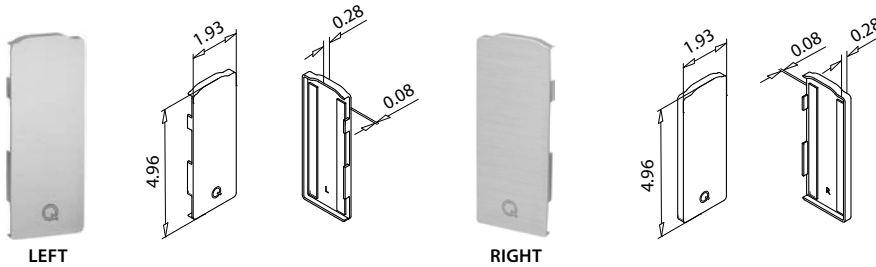
Easy Glass® Slim - Fascia Mount

BASE SHOE END FITTINGS

When opting for no cladding, select the aluminum end fittings to match the finish of the base shoe. Alternatively, the zinc end fitting in a stainless steel effect finish is available for use with stainless steel cladding.

For Level Applications

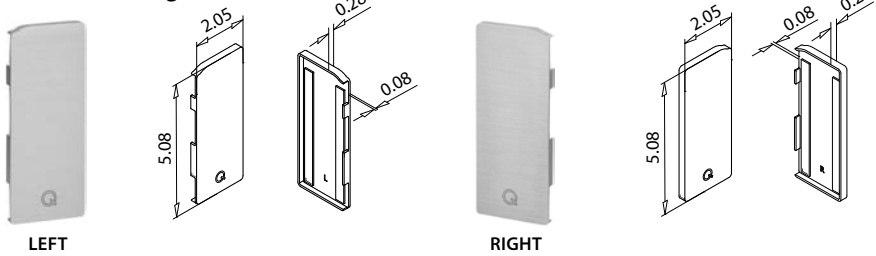
Aluminum End Fittings



End fittings are conveniently supplied with 3M™ VHB™ double-sided pressure sensitive adhesive foam ready to be installed.

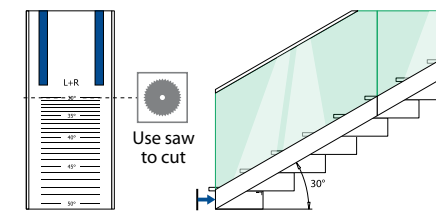
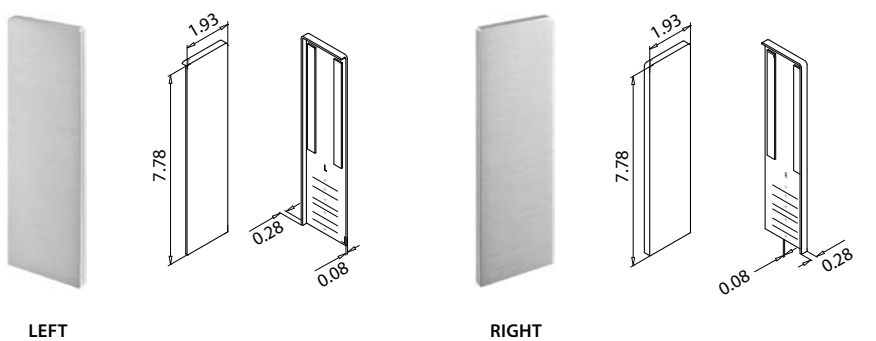
1. Simply remove protective strip to expose adhesive.
2. Press end fitting against the appropriate end of the railing base to create a high-strength bond.

Zinc End Fittings



For Angled Applications

Aluminum End Fittings



Easily adapt the end fitting for stairs by using a saw to cut along marked increments. Suitable for angles from 30° to 50°.

INDOOR OUTDOOR

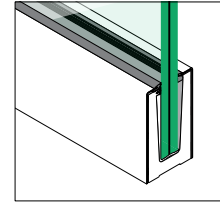
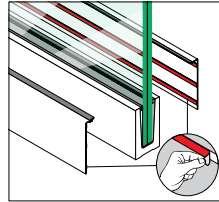
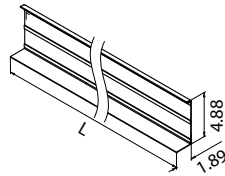
Part #	Applications	Side	Finish	Material	Weight
◆ 16.6734.005.18	Level, Without Cladding	Left	Stainless Steel Effect	Aluminum	0.12 lbs. ea
◆ 16.6735.005.18	Level, Without Cladding	Right	Stainless Steel Effect	Aluminum	0.12 lbs. ea
◆ 10.6734.105.20	Level, With Cladding	Left	Stainless Steel Effect	Zinc	0.34 lbs. ea
◆ 10.6735.105.20	Level, With Cladding	Right	Stainless Steel Effect	Zinc	0.34 lbs. ea
◆ 16.6736.005.18	Angled, Without Cladding	Left	Stainless Steel Effect	Aluminum	0.19 lbs. ea
◆ 16.6737.005.18	Angled, Without Cladding	Right	Stainless Steel Effect	Aluminum	0.19 lbs. ea

Products marked with a ◆ are available on special order. Contact your Sales Representative for more information.

Easy Glass® Slim - Fascia Mount

BASE SHOE CLADDING

Cladding is available in both stainless steel for indoor and anodized aluminum for outdoor applications.



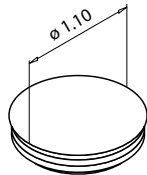
Installation Tip:
Cladding is conveniently supplied with 3M™ VHB™ double-sided pressure sensitive adhesive foam tape. If cutting the cladding, be sure to remove tape surrounding the cut line to limit adhesive transfer to the blade.

INDOOR OUTDOOR

Part #	Alloy	Glass Size (T)	Length (L)	Weight
◆ 13.6920.005.12	304	n/a	8.2' (2500mm)	13.11 lbs. ea
◆ 16.6920.005.18	6063-T5	n/a	8.2' (2500mm)	7.20 lbs. ea

Products marked with a ◆ are available on special order. Contact your Sales Representative for more information.

BASE SHOE BLIND PLUGS



Use optional blind plugs to conceal fasteners whenever cladding is not applied.

INDOOR OUTDOOR

Part #	Material	Diameter (ø)	Weight
◆ 24.6922.007.36	ABS Plastic	1.10" (28mm)	0.0034 lbs. ea

Products marked with a ◆ are available on special order. Contact your Sales Representative for more information.

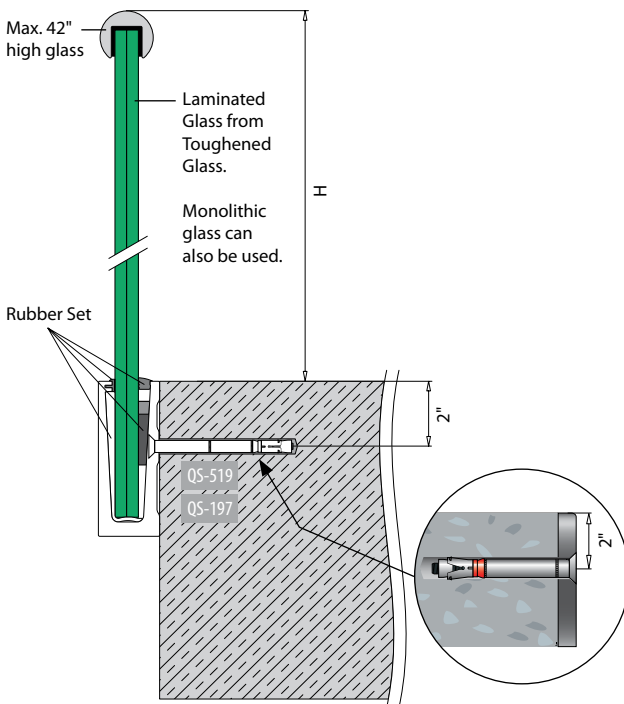


Figure 4 - The Pole House, Australia

Easy Glass® Slim - Fascia Mount Installation Guide

PREPARING TO SET THE BASE SHOE

The minimum distance a base shoe can be installed from the edge of concrete is 2" when working with engineer-approved quality uncracked concrete that has a PSI of 3,000.



A Plumb Base Shoe is Key!

The most critical aspect of installation is to achieve a plumb base shoe. Always measure the plumb line from the inside channel of the base shoe.

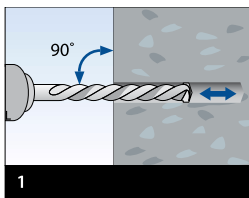


Be prepared to shim any surface with a choice of assorted mounting plates. Variable lengths and widths offer maximum flexibility and save time. Find Mounting Plates, Q-62 under "Accessories" page 72.

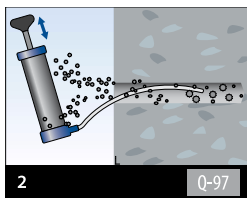
IMPORTANT! Installing on Wood

Consult an engineer for recommended reinforcement if mounting the Easy Glass® Slim fascia mount base shoe to wood.

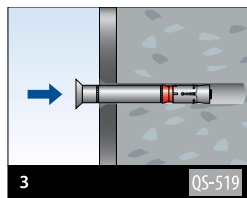
PREPARING THE ANCHOR HOLES



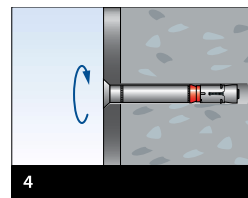
1 Pre-drill anchor holes into the surface at 90°.



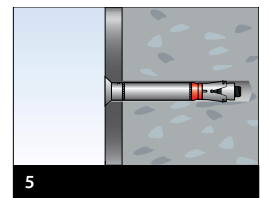
2 Drill holes can be cleared of debris with an air pump.



3 Position the base shoe and insert anchors.



4 Turn the anchor to the right to tighten.

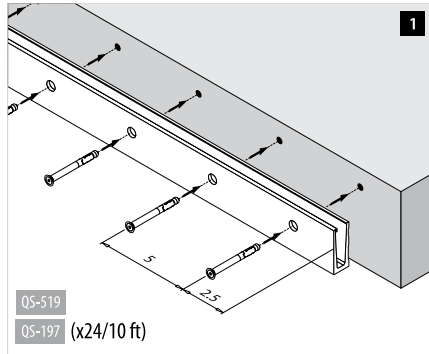


5 Tighten the anchor until the head is flush with the inside of the base channel.

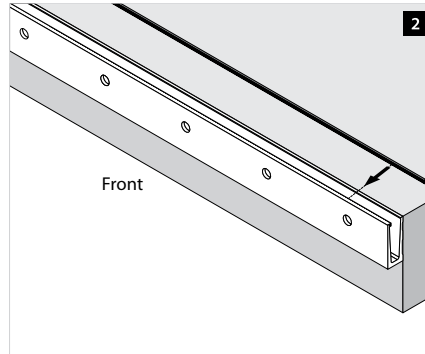
Mounting details are available for download as CAD or PDF files at bezdanQ-railing.com.

Easy Glass® Slim - Fascia Mount Installation Guide

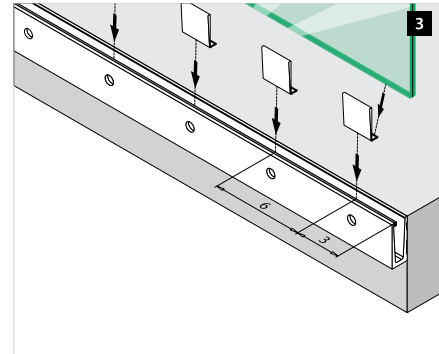
INSTALLING THE GLASS RAILING SYSTEM



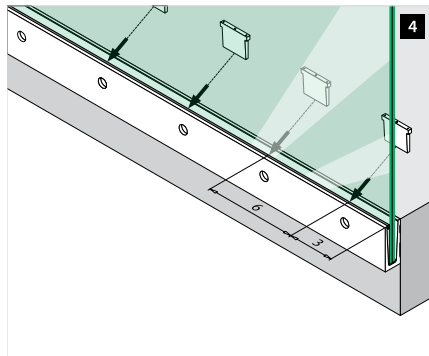
Fasten the base shoe 2.5" from its edge and every 5" in between. A total of 24 fasteners are required for each 10' length (sold separately).



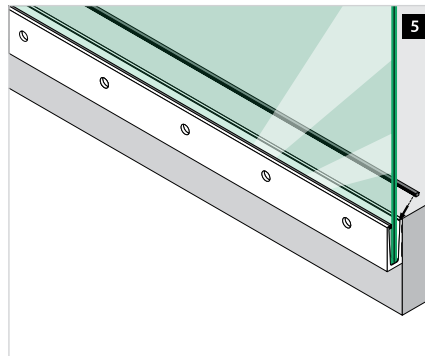
Place the outer gasket into the lip on the inside edge of the front of the base shoe channel.



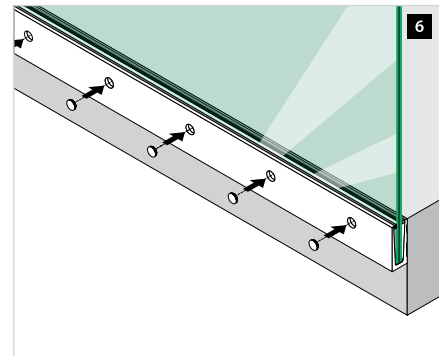
Set the first inlay 3" on center from the edge and every 6" on center thereafter. Twenty (20) inlays are required for each 10' length (included in kit).



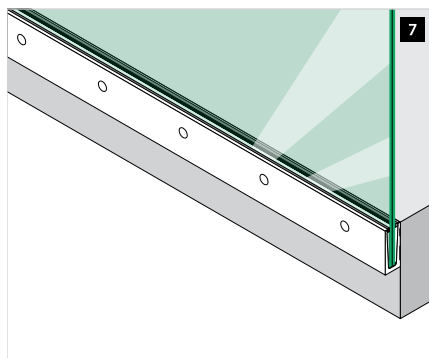
Secure glass in place by inserting a safety wedge 3" on center from the edge and every 6" on center thereafter. Twenty (20) safety wedges are required for each 10' length (included in kit).



After securing the glass, insert the outer gasket to seal the gap between the glass and base shoe.



Insert optional blind plugs to cover anchor holes in base shoe. Optional cladding may be added but is not necessary.



The dry glaze system is complete and requires no wait time for curing. Simply wipe surfaces with applicable cleaners.

Mounting details are available for download as either CAD or PDF files at bezdanQ-railing.com.

Multi-tool

The multi-tool enables quick and easy installation of the inlay and is equally efficient for removal and adjustment of glass, if necessary. Find the multi-tool, Q-71 under "Accessories" page 71.



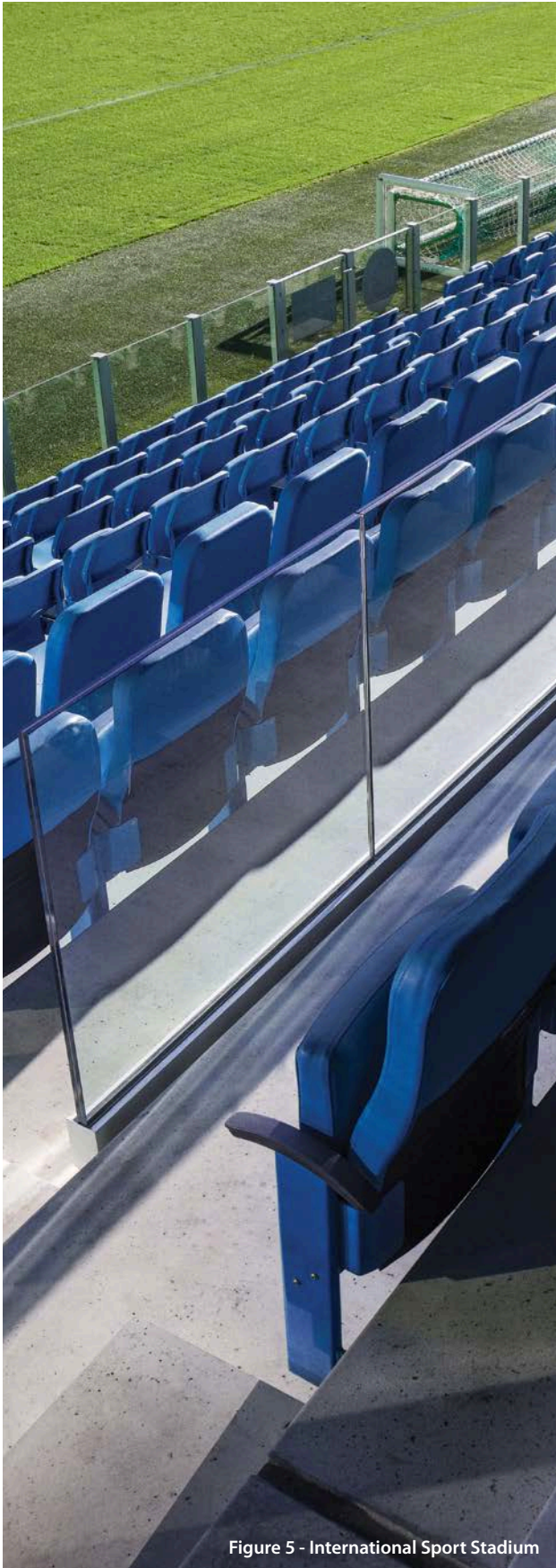


Figure 5 - International Sport Stadium

Easy Glass® Max Structural Glass Base Shoe

Maximum strength Easy Glass® Max is a dry glaze base shoe railing system suitable for extremely heavy indoor or outdoor use. Ideal for large facilities such as sports stadiums, airports, train stations and shopping centers, this railing system combines extreme strength with minimal weight and clear, unobstructed views.

Engineered with an open core construction makes it light weight and easy to maneuver on site. Highly versatile, Easy Glass Max comes in four base shoe profile options, all of which have integrated drainage systems.

Features:

- Can absorb forces of 5kN or more
- Light weight
- Cladding optional

Easy Glass Max fits the following glass specifications for monolithic or laminated toughened glass:

- 27/32" - 1-1/4" (21.52 - 31.52mm)

The Dry Glaze Advantage



**75% labor
efficiency!**

- No cement to cure
 - Mess-free clean up
 - Easily remove/replace glass
-

Product dimensions will have some variation due to the manufacturing process. Product dimensions should be checked prior to commencing installation. Do not scale dimensions from drawings.

Easy Glass® Max

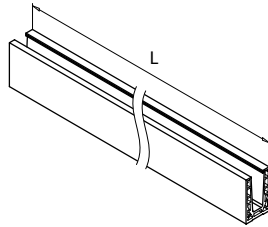
BASE SHOE

The base shoe combined with the rubber set, shown below, accommodates a range of laminated or monolithic glass sizes and together create the Safety Wedge System.

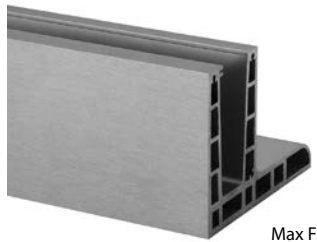
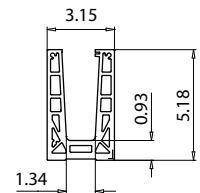
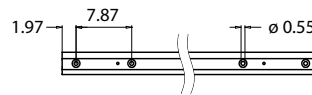
Top Mount



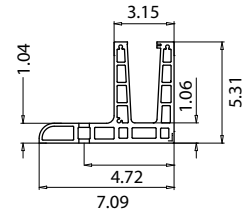
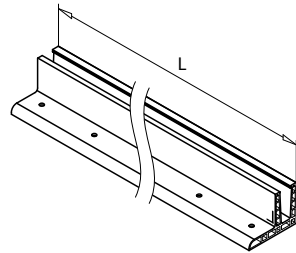
Max



Easy Glass® Max top mount base shoe is available in two finishes: stainless steel effect and stainless steel effect IX. The IX is a virtual match to stainless steel.



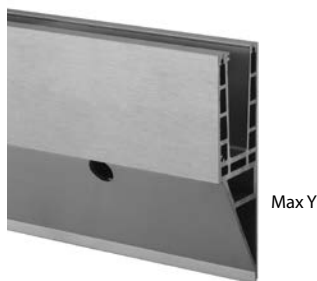
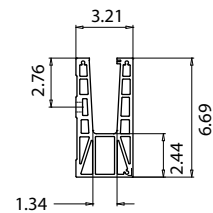
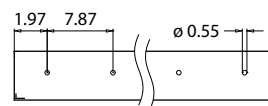
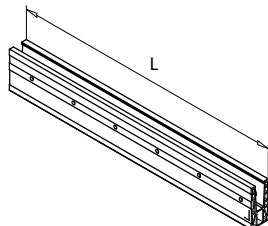
Max F



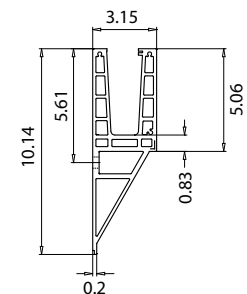
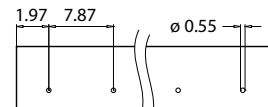
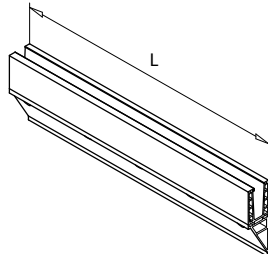
Fascia Mount



Max



Max Y



Suggested Fastener: QS-208, QS-216, QS-224, QS-226 (indoor); QS-207, QS-215, QS-223, QS-225 (outdoor)

INDOOR OUTDOOR

Part #	Description	Finish	Material	Length (L)	Weight
◆ 16.6926.000.18	Base Shoe-Max, Top Mount	Stainless Steel Effect	Aluminum	8.2' (2.5 meters)	64.60 lbs. ea
◆ 16.6926.000.09	Base Shoe-Max, Top Mount	Stainless Steel Effect IX	Aluminum	8.2' (2.5 meters)	64.60 lbs. ea
◆ 16.6929.000.18	Base Shoe-Max F, Top Mount	Stainless Steel Effect	Aluminum	8.2' (2.5 meters)	80.63 lbs. ea
◆ 16.6935.000.18	Base Shoe-Max, Fascia Mount	Stainless Steel Effect	Aluminum	8.2' (2.5 meters)	75.96 lbs. ea
◆ 16.6936.000.18	Base Shoe-Max Y, Fascia Mount	Stainless Steel Effect	Aluminum	8.2' (2.5 meters)	79.74 lbs. ea

Products marked with a ◆ are available on special order. Contact your Sales Representative for more information.

Easy Glass® Max

BASE SHOE RUBBER SET

Rubber sets used in conjunction with the base shoes, shown on previous page, accommodate a range of laminated or monolithic glass sizes and together create the Safety Wedge System. Use one set for each length of base shoe.



Part #	Glass Size (T)	Length (L)	Weight	
			INDOOR	OUTDOOR
◆ 19.6907.922.00	27/32" (21.52mm)	16.4' (5000mm)	8.22 lbs. ea	
◆ 19.6907.926.00	1" (25.52mm)	16.4' (5000mm)	6.30 lbs. ea	
◆ 19.6907.932.00	1-1/4" (31.52mm)	16.4' (5000mm)	5.33 lbs. ea	

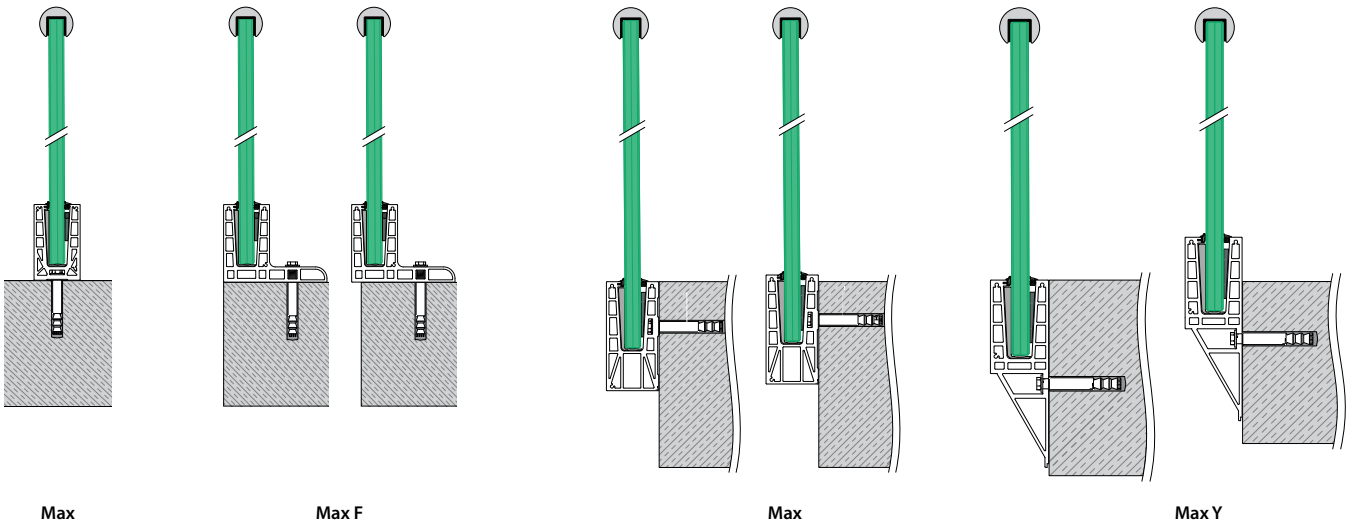
Products marked with a ◆ are available on special order. Contact your Sales Representative for more information.

Versatile Mounting Options

Easy Glass® Max is available in top and fascia mount with four different base shoe profiles that offer versatile mounting solutions. Top mount base shoes can be secured on the surface, flush with the outer edge of the surface or with a slight overhang. Fascia mount base shoes can be mounted flush with the top edge of the surface or elevated to meet construction challenges or design preferences.

Top Mount

Fascia Mount



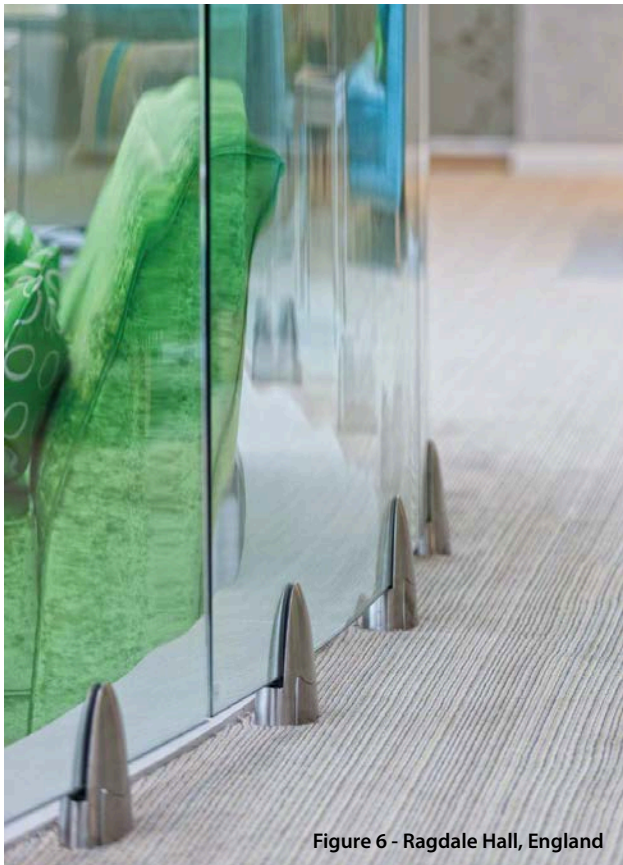


Figure 6 - Ragdale Hall, England

Easy Glass® Base Clamps and Adapters Stainless Steel Hardware for Structural Glass Railings

Easy Glass® base clamps and adapters achieve safety and transparency by combining glass with high-quality stainless steel railing hardware.

Create stunning frameless glass railings that are suitable for interior and exterior projects from light to medium use. Base clamps and adapters offer space saving solutions that maximize sightlines with minimal hardware.

Base Glass Clamps

- Surface mount solution
- Smooth or angular forms

Glass Adapters

- Fascia mount solution
- Round and rectangular forms



Figure 7 - Private Residence, England

Product dimensions will have some variation due to the manufacturing process. Product dimensions should be checked prior to commencing installation. Do not scale dimensions from drawings.

Performance

A structural performance test is available by request for the Easy Glass systems.

Architectural Specifications

Architectural specifications for many Easy Glass products are available for download at bezdanQ-railing.com.

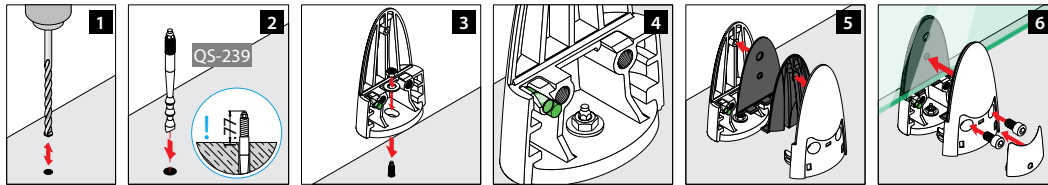
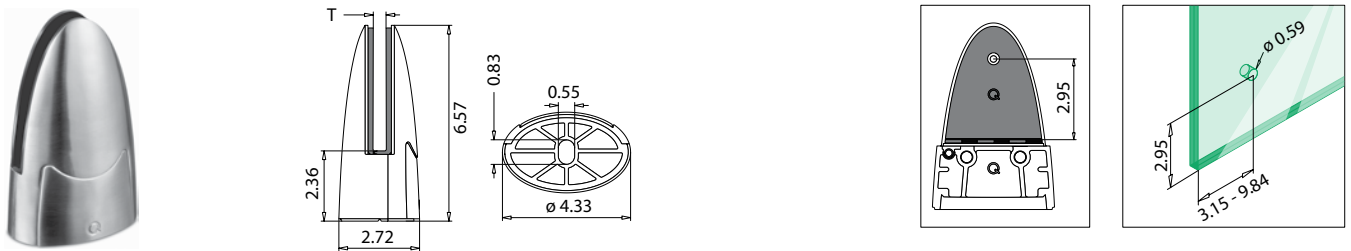
Easy Glass®

Base Glass Clamps

Structural Base Glass Clamps

Structural base glass clamps are quick to install and are suitable for use as a guardrail for residential or light commercial projects. Clamps work with monolithic or laminated glass panels and can be mounted to a concrete or steel frame.

SURFACE MOUNT GLASS CLAMP, OVAL BASE



Test data on a 40" x 40" (1016mm x 1016mm) glass panel suggests that glass clamps should be installed 7.87" (200mm) on center from the edge of glass. The maximum distance between glass clamps should not exceed 23.62" (600mm) on center.

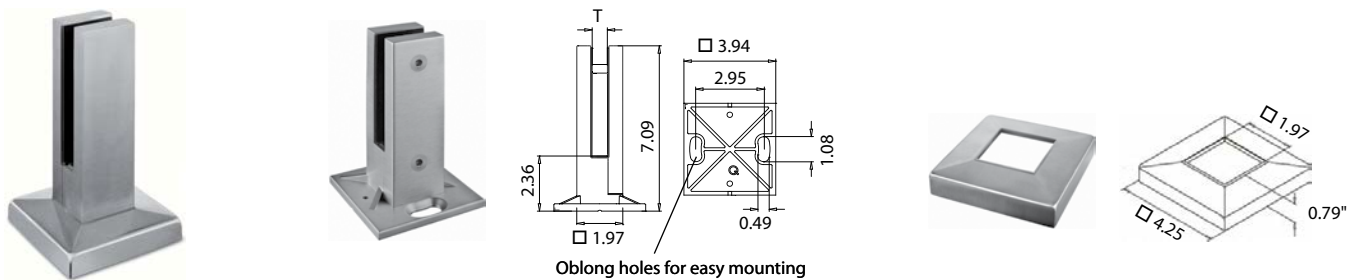
Suggested Fastener: QS-239

INDOOR OUTDOOR

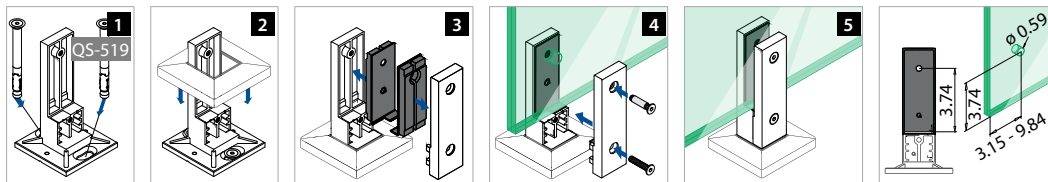
Part #	Finish	Alloy	Glass Size (T)	Weight
14.6012.000.12	#4 Satin	316	1/2" mono. (12mm)	5.10 lbs. ea

Architectural mounting details are available for glass clamps. Download as either CAD or PDF files at bezdanQ-railing.com.

SURFACE MOUNT GLASS CLAMP, SQUARE BASE



Oblong holes for easy mounting



Test data on a 40" x 40" (1016mm x 1016mm) glass panel suggests that glass clamps should be installed 7.87" (200mm) on center from the edge of glass. The maximum distance between glass clamps should not exceed 23.62" (600mm) on center.

Suggested Fastener: QS-519

INDOOR OUTDOOR

Part #	Description	Finish	Alloy	Glass Size (T)	Weight
14.6212.000.12	Glass Clamp	#4 Satin	316	1/2" mono. (12mm)	3.94 lbs. ea
14.4511.050.12	Cover Flange	#4 Satin	316	n/a	0.44 lbs. ea

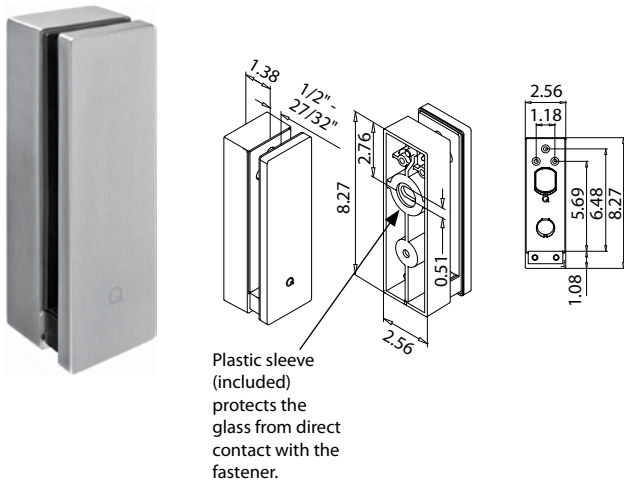
Architectural mounting details are available for glass clamps. Download as either CAD or PDF files at bezdanQ-railing.com.

Easy Glass® BLOK

Glass Clamps and Adapters - Fascia Mount

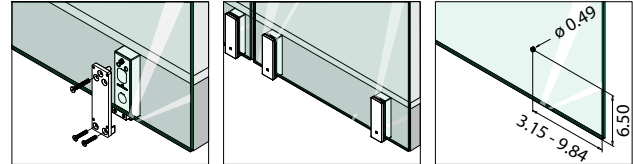
ADAPTER, RECTANGULAR

A superb multi-functional block fixing, this glass adapter may be used as either a glass clamp or glass adapter. An innovative moveable glass pin allows glass to be secured with or without drilling.

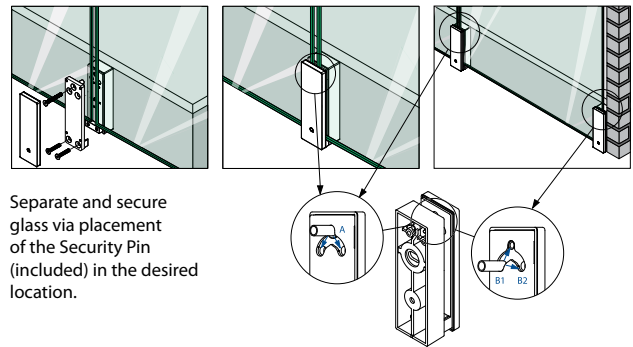


Plastic sleeve (included) protects the glass from direct contact with the fastener.

Mounting Method A: Secure glass by drilling.



Mounting Method B: Secure glass without drilling.



Separate and secure glass via placement of the Security Pin (included) in the desired location.

Suggested Fastener: QS-239; QS-247 (if second anchor is desired)

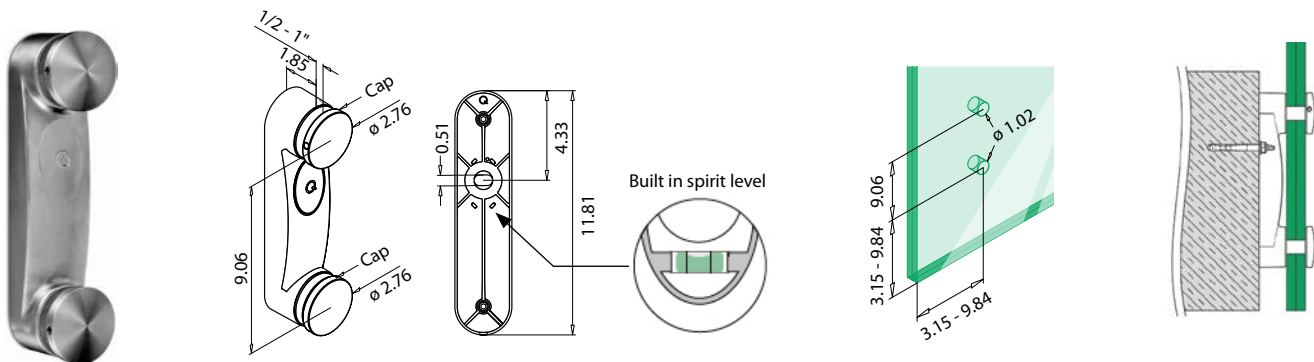
INDOOR OUTDOOR

Part #	Finish	Alloy	Glass Size (T)	Weight
◆ 14.0763.000.12	#4 Satin	316	1/2" - 27/32" (12mm - 21.52mm)	5.60 lbs. ea

Products marked with a ◆ are available on special order. Contact your Sales Representative for more information. Architectural mounting details are available for glass clamps. Download as either CAD or PDF files at bezdanQ-railing.com.

DOUBLE ADAPTER, ROUND

A double adapter look with a single anchor mounting system that includes a built-in spirit level for faster installation.



Suggested Fastener: QS-239

INDOOR OUTDOOR

Part #	Finish	Alloy	Glass Size (T)	Weight
◆ 14.0760.000.12	#4 Satin	316	1/2" - 1" (12.76mm - 25.52mm)	5.54 lbs. ea

Products marked with a ◆ are available on special order. Contact your Sales Representative for more information. Architectural mounting details are available for glass clamps. Download as either CAD or PDF files at bezdanQ-railing.com.

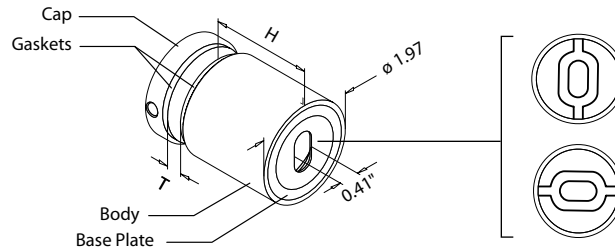
Easy Glass®

Glass Adapters - Fascia Mount

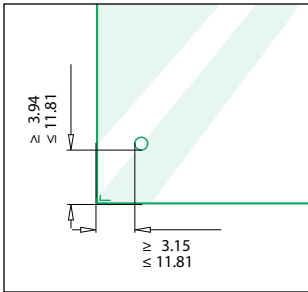
SINGLE ADAPTER, ROUND

Achieve simple and efficient installation with unparalleled adjustability by design.

- Base plate with built-in adjustability
- Adjustable adapter body with hex socket
- Precision grip silicon gaskets



The oval bolt hole in the adapter's base plate allows for accurate adjustments to suit on-site conditions.



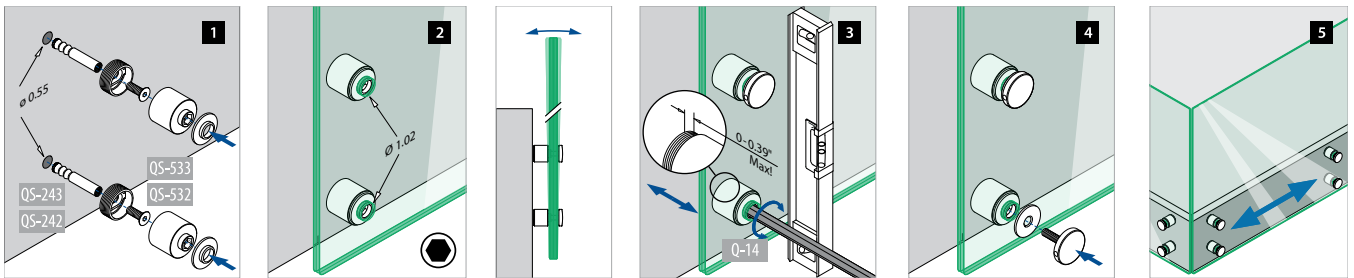
Test data on a 40" x 40" (1016mm x 1016mm) glass panel suggests that glass adapters should be installed 7.87" (200mm) on center from the side edge of glass.

Simple Installation and Adjustability



Enjoy simple installation and time-saving adjustments with Q-railing® tools. The C-spanner wrench Q-32 enables efficient installation or adjustment of the adapter cap. See page 70.

The hexagon screwdriver easily adjusts mounted glass panels. See page 71.



Use a hexagon screwdriver to adjust mounted glass panels.

The maximum distance between glass adapter pairs should not exceed 23.62" (600mm) on center.

Suggested Fasteners: QS-242 and QS-532 (for Alloy 304); QS-243 and QS-533 (for Alloy 316).

Part #	Finish	Alloy	Height (H)	Glass Size (T)	INDOOR	OUTDOOR
					Weight	
13.0749.300.12	#4 Satin	304	1-3/16" (30mm)	1/2" - 1" (12.76mm - 25.52mm)	0.85 lbs. ea	
14.0749.300.12	#4 Satin	316	1-3/16" (30mm)	1/2" - 1" (12.76mm - 25.52mm)	0.84 lbs. ea	
13.0749.400.12	#4 Satin	304	1-9/16" (40mm)	5/16" - 1" (8mm - 25.52mm)	0.94 lbs. ea	
14.0749.400.12	#4 Satin	316	1-9/16" (40mm)	5/16" - 1" (8mm - 25.52mm)	0.97 lbs. ea	

Architectural mounting details are available for glass clamps. Download as either CAD or PDF files at bezdanQ-railing.com.



Figure 8 - Private Residence, England

Easy Glass® Cap Rail and Fittings Edge Protection

Easy Glass® cap rail and fittings offer a safe, easy and elegant way to protect the edges of your glass railings. Choose a round form, cap rail in stainless steel or maximize transparency with the sleek aluminum U-channel.

Contemporary in appearance, cap rail in stainless steel has a lower tolerance than a standard commercial tube and ensures efficient, quality installations with a seamless finish. No mitering is required.

U-channel offers a minimalist look with sleek lines that will protect glass railings without compromising safety. The anodized aluminum in a brushed stainless steel effect makes it a practical solution for both indoor and outdoor applications.

Features:

- Functional solution for protection from breakage of tempered glass panels
- Components have a tighter tolerance creating virtually seamless joins with no color variations
- Quality is assured with each tube section securely packaged to prevent damage

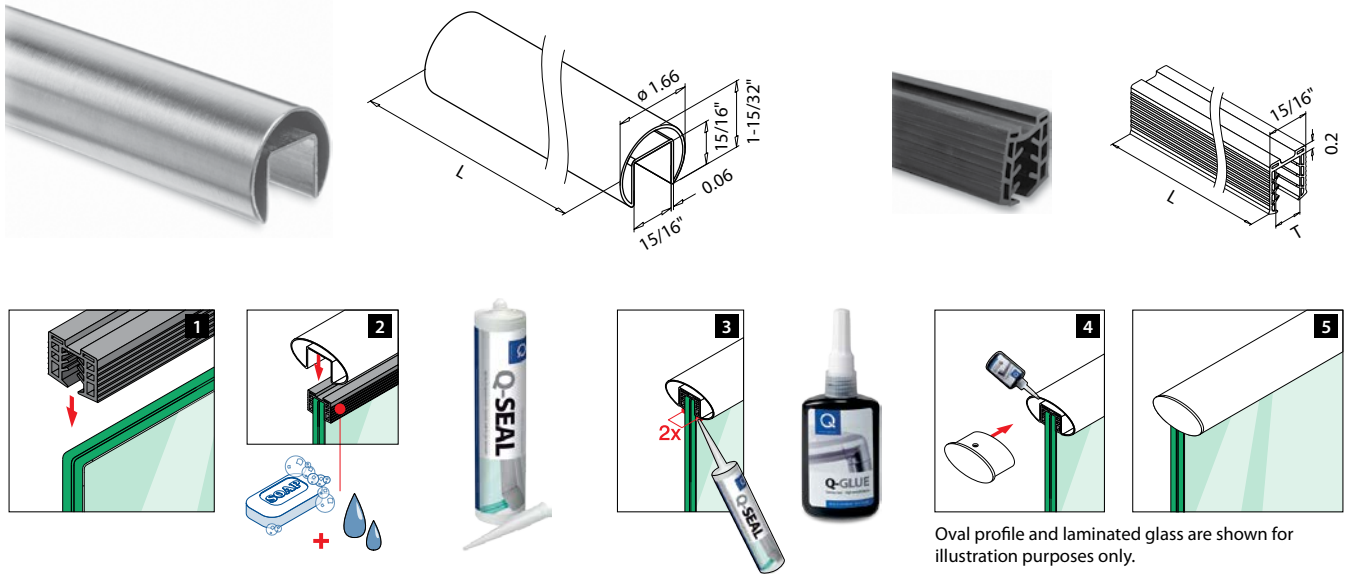
Product dimensions will have some variation due to the manufacturing process. Product dimensions should be checked prior to commencing installation. Do not scale dimensions from drawings.

Performance

All cap rail has been tested and approved in accordance with the DIN 18008-4 requirements for glass edge protection.

Cap Rail and Fittings

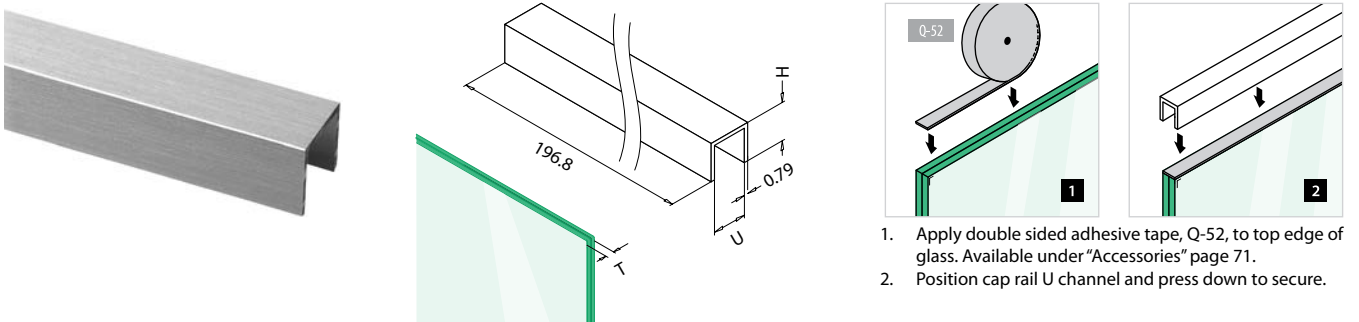
CAP RAIL AND GASKET



Oval profile and laminated glass are shown for illustration purposes only.

Part #	Description	Finish	Alloy	Glass Size (T)	Length (L)	INDOOR	OUTDOOR
						Weight	
13.6920.042.12	Cap Rail	#4 Satin	304	1/2" - 3/4" (12 -19.05mm)	16.4' (5 meters)	0.11 lbs. per foot	
14.6920.042.12	Cap Rail	#4 Satin	316	1/2" - 3/4" (12 -19.05mm)	16.4' (5 meters)	0.11 lbs. per foot	
19.5042.011.00	Gasket	-	-	1/2" - 3/4" (12 -19.05mm)	16.4' (5 meters)	0.02 lbs. per foot	

U-CHANNEL



1. Apply double sided adhesive tape, Q-52, to top edge of glass. Available under "Accessories" page 71.
2. Position cap rail U channel and press down to secure.

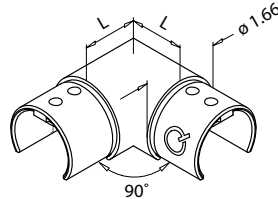
Suggested Tape: Q-52

Part #	Finish	Material	Height (H)	Channel (U)	Glass Thickness (T)	INDOOR	OUTDOOR
						Weight	
16.6940.013.18	Stainless Steel Effect	Aluminum	19/32"	17/32"	1/2" (12.76mm)	2.60 lbs. ea	
◆ 16.6940.022.18	Stainless Steel Effect	Aluminum	3/4"	7/8"	27/32" (21.52mm)	4.07 lbs. ea	

Products marked with a ◆ are available on special order. Contact your Sales Representative for more information.

Cap Rail and Fittings

90° HORIZONTAL CORNER



INDOOR OUTDOOR

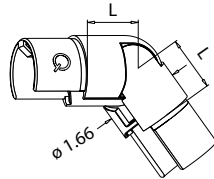
Part #	Finish	Alloy	Diameter (ø)	Length (L)	Weight
13.6313.042.12	#4 Satin	304	1.66" x 0.06" (42.4mm x 1.5mm)	1-3/16" (30mm)	0.81 lbs. ea
14.6313.042.12	#4 Satin	316	1.66" x 0.06" (42.4mm x 1.5mm)	1-3/16" (30mm)	0.81 lbs. ea

ADJUSTABLE CORNER, DOWNWARD/UPWARD

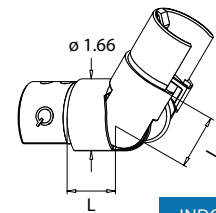
Provides a 25° - 55° angle suitable for most transitions between level and sloped areas of a staircase.



25° - 55° downward



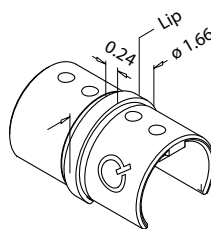
25° - 55° upward



INDOOR

Part #	Finish	Alloy	Diameter (ø)	Length (L)	Weight
13.6302.042.12	#4 Satin	304	1.66" x 0.06" (42.4mm x 1.5mm)	1-3/16" (30mm)	0.80 lbs. ea
13.6312.042.12	#4 Satin	304	1.66" x 0.06" (42.4mm x 1.5mm)	1-3/16" (30mm)	0.83 lbs. ea

INTERNAL CONNECTOR



INDOOR OUTDOOR

Part #	Finish	Alloy	Diameter (ø)	Weight
13.6790.042.12	Exposed Lip #4 Satin	304	1.66" x 0.06" (42.4mm x 1.5mm)	0.36 lbs. ea
14.6790.042.12	Exposed Lip #4 Satin	316	1.66" x 0.06" (42.4mm x 1.5mm)	0.37 lbs. ea

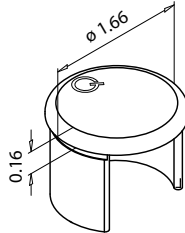


The Care Kit Bundle

Stainless steel requires a thorough cleaning immediately after installation in order to ensure long lasting luster, strength and durability. This conveniently bundled care kit will take you from installation through to regular care and maintenance. See page 71.

Cap Rail and Fittings

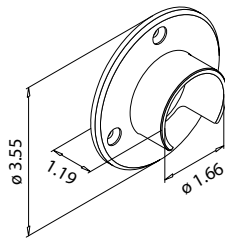
END CAP



INDOOR OUTDOOR

Part #	Finish	Alloy	Diameter (ø)	Weight
13.6729.042.12	#4 Satin	304	1.66"x 0.06" (42.4mm x 1.5mm)	0.21 lbs. ea
14.6729.042.12	#4 Satin	316	1.66"x 0.06" (42.4mm x 1.5mm)	0.21 lbs. ea

WALL FLANGE



INDOOR OUTDOOR

Suggested Fasteners: QS-5 (indoor), QS-6 (outdoor)

Part #	Finish	Alloy	Diameter (ø)	Weight
13.6505.042.12	#4 Satin	304	1.66"x 0.06" (42.4mm x 1.5mm)	0.50 lbs. ea
14.6505.042.12	#4 Satin	316	1.66"x 0.06" (42.4mm x 1.5mm)	0.50 lbs. ea

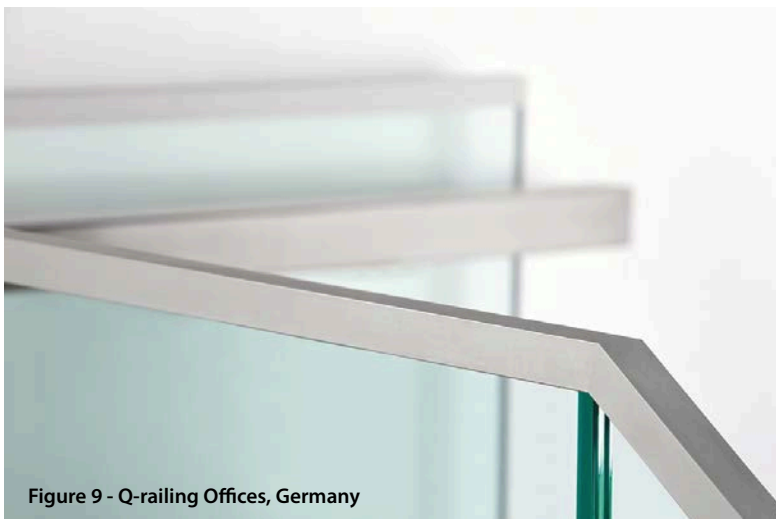


Figure 9 - Q-railing Offices, Germany



Figure 10 - Apartment Stairwell, England

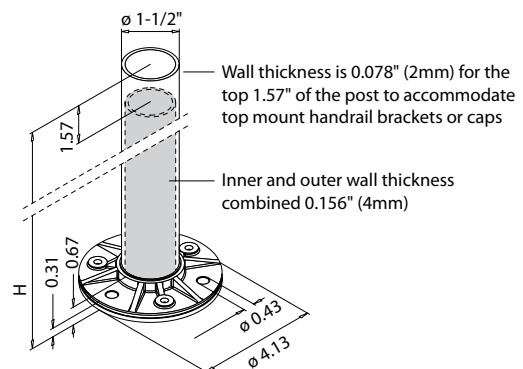
Q-line® Round Baluster Railing System

Q-line® features round form posts, bases and railing components including baluster brackets, handrail brackets, glass clips and cross bars. Use as a complete system for a smooth, elegant finish or combine with square form components to achieve design preferences.

ROUND POSTS WITH ANCHOR PLATE

Post are supplied with an anchor plate welded in place and can be combined with cover flange, post cap and Q-railing® certified glass clips (sold separately).

- \varnothing 1-1/2" x 0.156" (38.1mm x 4mm)
- Double wall thickness
- Anchor plate welded in place



Post supplied with anchor plate welded in place



Rubber ring to keep cover flange in place



Cover flange (sold separately)

Product dimensions will have some variation due to the manufacturing process. Product dimensions should be checked prior to commencing installation. Do not scale dimensions from drawings.

Performance

A structural performance test is available by request for the Q-line system.

Architectural Specifications

An architectural specification is available for download at bezdanQ-railing.com.

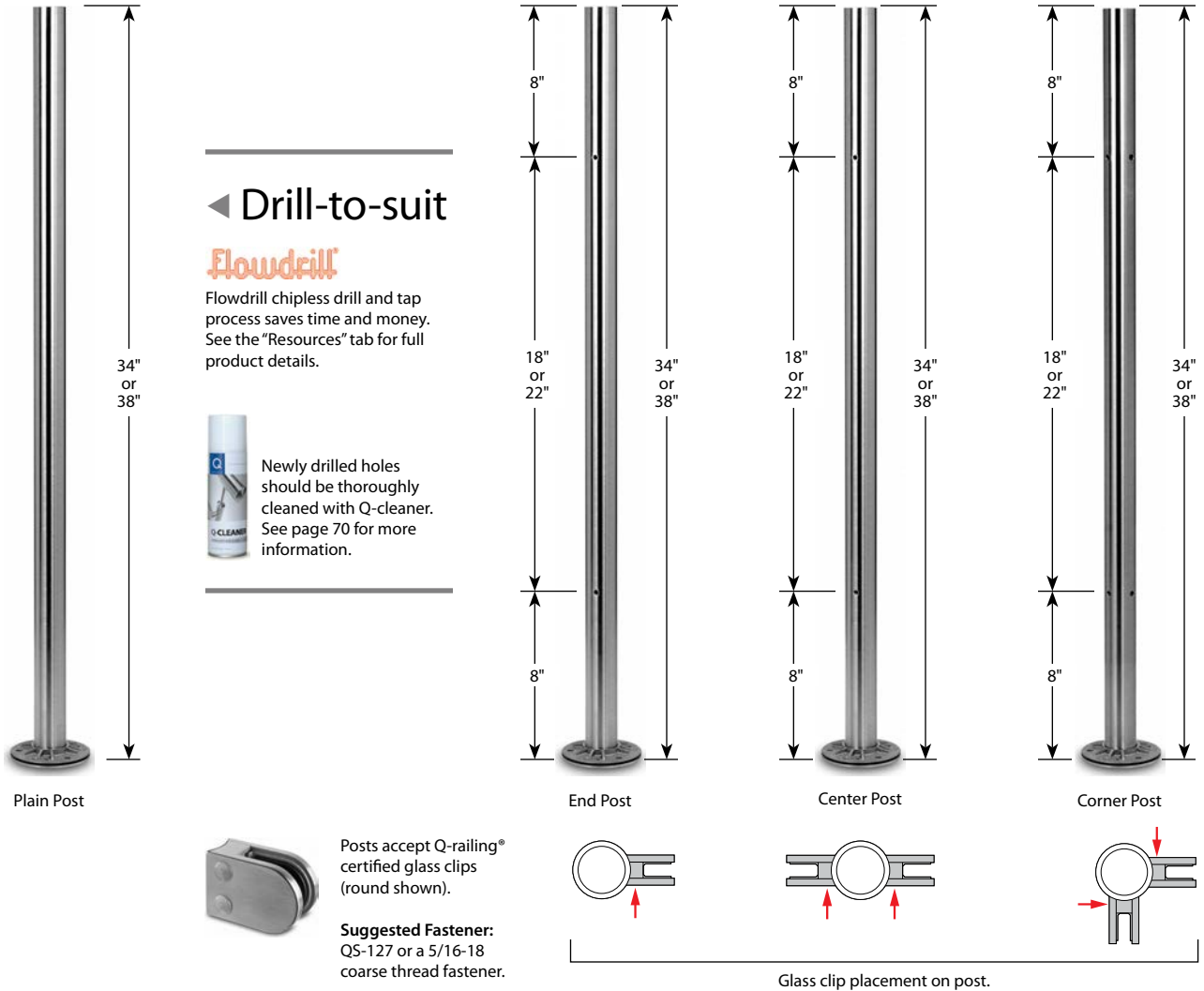
Q-line®

Posts and Bases

ROUND POSTS WITH ANCHOR PLATE

ø 1-1/2" x 0.156" (38.1mm x 4mm) Posts

All posts are supplied with an anchor plated welded in place and are available in plain or pre-drilled to accept Q-railing® certified glass clips for end, center or corner configurations (sold separately).



◀ Drill-to-suit

Flowdrill

Flowdrill chipless drill and tap process saves time and money. See the "Resources" tab for full product details.

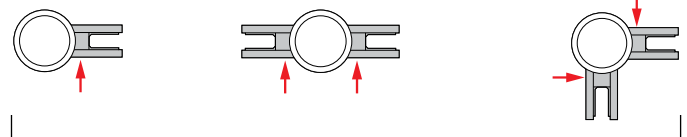


Newly drilled holes should be thoroughly cleaned with Q-cleaner. See page 70 for more information.



Posts accept Q-railing® certified glass clips (round shown).

Suggested Fastener: QS-127 or a 5/16-18 coarse thread fastener.



Glass clip placement on post.

Suggested Fastener: QS-246 (for anchor plate)

INDOOR

Part #	Description	Glass Clips	Finish	Alloy	Height	Weight
13.0911.438.12	Post, plain	Drill-to-suit	#4 Satin	304	34" (863.6mm)	8.04 lbs. ea
13.0913.438.12	Post, plain	Drill-to-suit	#4 Satin	304	38" (970mm)	8.65 lbs. ea
13.0928.438.12	Post, end	Accepts 2 glass clips	#4 Satin	304	34" (863.6mm)	7.49 lbs. ea
13.0929.438.12	Post, end	Accepts 2 glass clips	#4 Satin	304	38" (970mm)	8.91 lbs. ea
13.0938.438.12	Post, center	Accepts 4 glass clips	#4 Satin	304	34" (863.6mm)	7.49 lbs. ea
13.0939.438.12	Post, center	Accepts 4 glass clips	#4 Satin	304	38" (970mm)	8.90 lbs. ea
13.0948.438.12	Post, corner	Accepts 4 glass clips	#4 Satin	304	34" (863.6mm)	7.49 lbs. ea
13.0949.438.12	Post, corner	Accepts 4 glass clips	#4 Satin	304	38" (970mm)	8.90 lbs. ea

Q-line®

Posts and Bases

BALUSTER POST FOR OPEN RISERS

ø 1-1/2" x 0.078" (38.1mm x 2mm) Posts

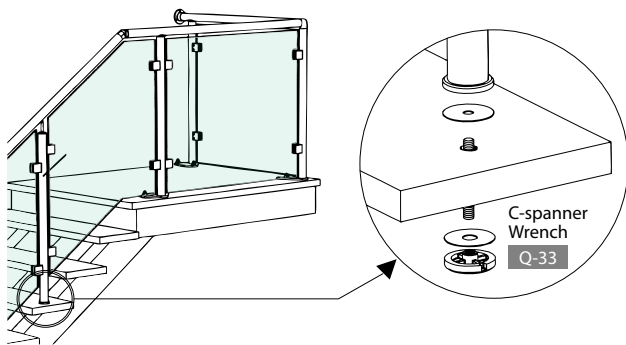
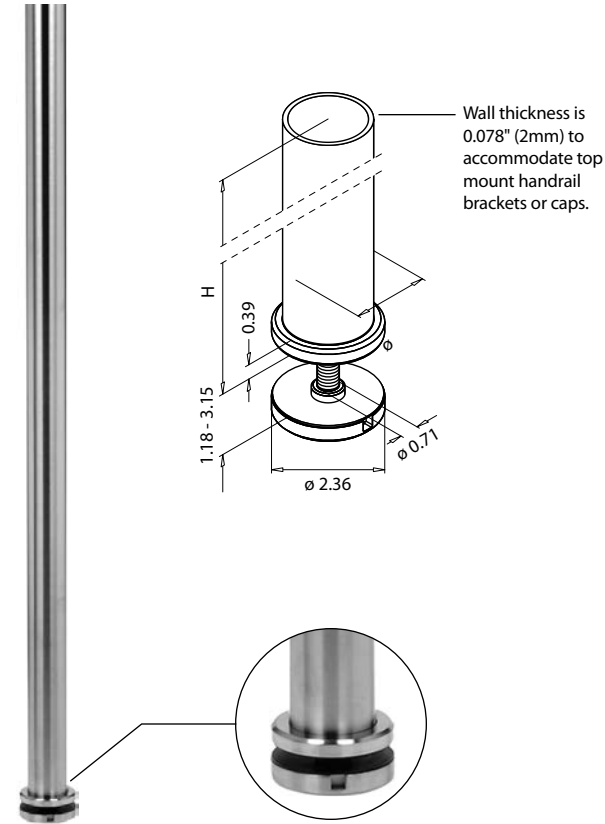


Figure 11 - Private Residence, Latvia

C-spanner Wrench

Tightening the Q-line® post in place is made easy with the C-spanner wrench Q-33. See page 70.



Fasteners shown are included with the post.

INDOOR

Part #	Glass Clips	Finish	Alloy	Height	Weight
◆ 13.0544.038.12	Drill-to-suit	Satin #4	304	38" (965.2mm)	5.79 lbs. ea

Products marked with a ◆ are available on special order. Contact your Sales Representative for more information.

Q-line®

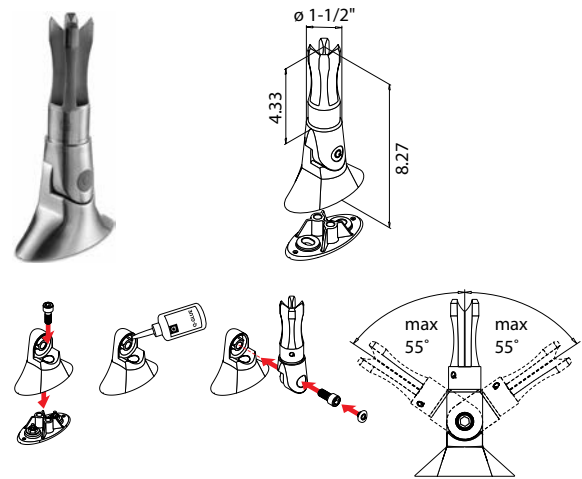
Posts and Bases



Figure 12 - Illustrative Product Demonstration

ANGLED FLANGE

The angled flange is a surface mount option and works with \varnothing 1-1/2" (38.1mm) round stainless steel tube for posts.



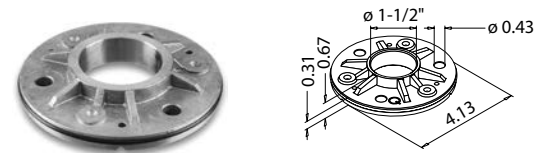
Suggested Fastener: QS-229

INDOOR

Part #	Alloy	Finish	Weight
13.0945.038.12	304	#4 Satin	2.87 lbs. ea

Mounting details are available for download as either CAD or PDF files at bezdanQ-railing.com.

ANCHOR PLATE



Suggested Fastener: QS-247

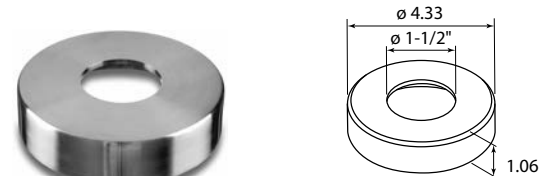
INDOOR

OUTDOOR

Part #	Alloy	Weight
14.3502.038.00	316	1.04 lbs. ea

Mounting details are available for download as either CAD or PDF files at bezdanQ-railing.com.

COVER FLANGE



INDOOR

OUTDOOR

Part #	Alloy	Finish	Weight
13.0511.038.12	304	#4 Satin	0.88 lbs. ea
14.0511.038.12	316	#4 Satin	0.98 lbs. ea

Create Custom Posts



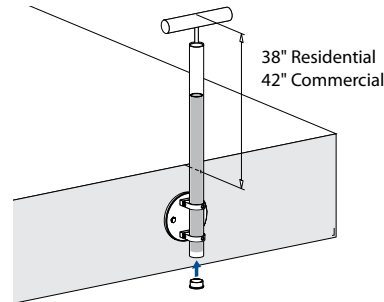
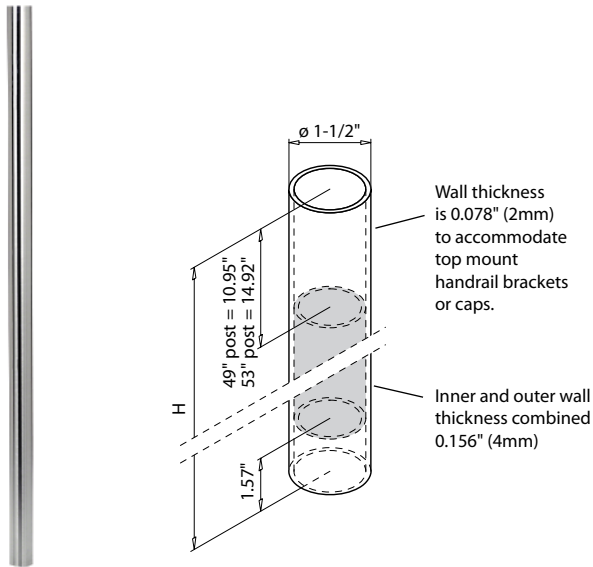
Use round tube in stainless steel to create posts for angled applications. See page 58.

Q-line®

Posts and Bases

FASCIA MOUNT OR CONCRETE EMBEDDED POST

ø 1-1/2" x 0.156" (38.1mm x 4mm) Post



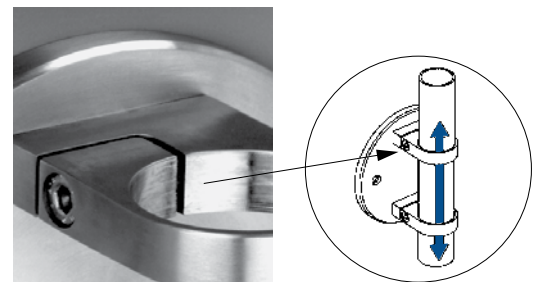
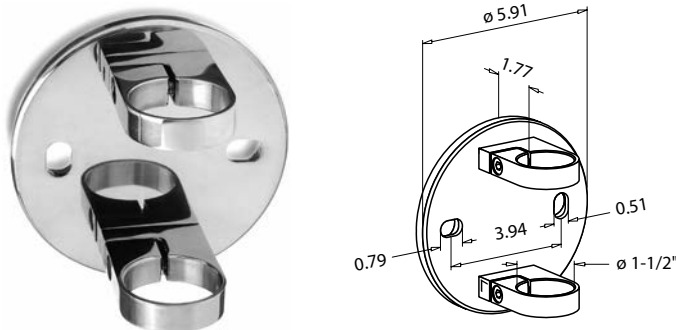
Fascia mount post shown with baluster bracket and cap. Items sold separately.

Part #	Glass Clips	Finish	Alloy	Height (H)	INDOOR	OUTDOOR
					Weight	Weight
13.0951.438.12	Drill-to-suit	#4 Satin	304	49" (1244.6mm)		9.10 lbs. ea
◆ 14.0951.438.12	Drill-to-suit	#4 Satin	316	49" (1244.6mm)		9.00 lbs. ea
13.0952.438.12	Drill-to-suit	#4 Satin	304	53" (1346.2mm)		9.55 lbs. ea
◆ 14.0952.438.12	Drill-to-suit	#4 Satin	316	53" (1346.2mm)		9.41 lbs. ea

Products marked with a ◆ are available on special order. Contact your Sales Representative for more information.

BALUSTER BRACKET, FASCIA MOUNT

Suits ø 1-1/2" (38.1mm) posts, shown above.



Simply loosen the hexagon screws (supplied) to expand the bracket ring. Insert post and adjust height as necessary. Tighten screws to secure post in place.

Suggested Fasteners: QS-232 (for Alloy 304); QS-233 (for Alloy 316)

Part #	Finish	Alloy	INDOOR	OUTDOOR
			Weight	Weight
13.0551.038.12	#4 Satin	304		2.90 lbs. ea
◆ 14.0551.038.12	#4 Satin	316		2.80 lbs. ea

Products marked with a ◆ are available on special order. Contact your Sales Representative for more information.

Q-line®

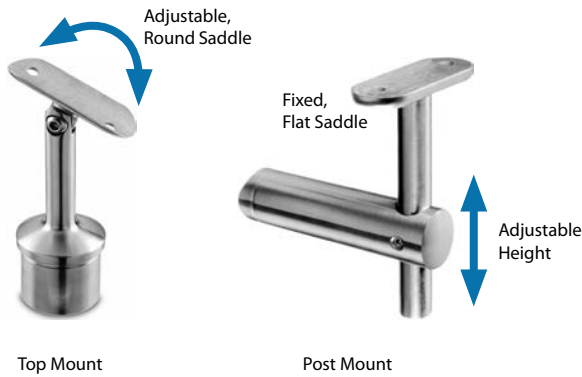
Components

Handrail Bracket Mounting Solutions

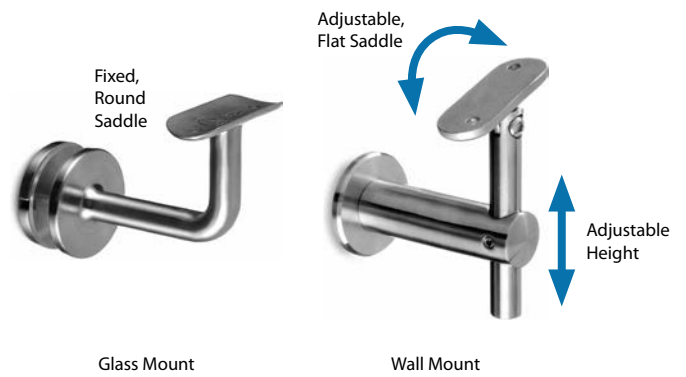
Mounting solutions for handrail brackets include top, post, glass and wall mount. Within these styles, variations include:

- Saddle shape to accommodate round or square style handrail
- Options for center and corner applications
- Adjustability for angled applications
- Adjustable bracket height

Top and Post Mount

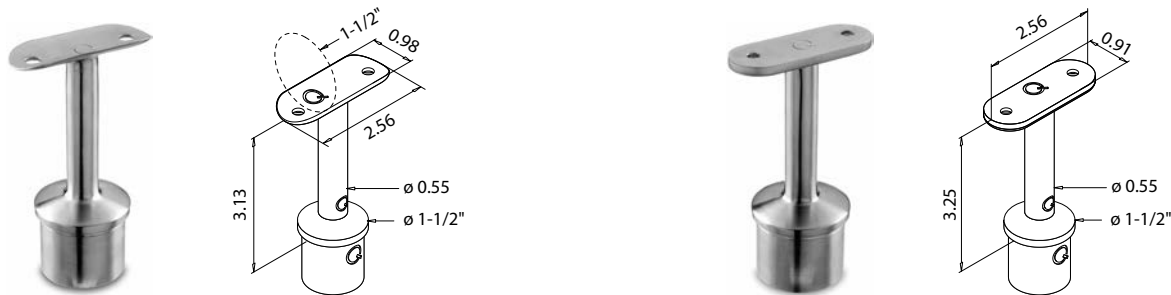


Glass and Wall Mount



TOP MOUNT BRACKETS, CENTER, FIXED SADDLE

Suits \varnothing 1-1/2" x 0.078" (38.1mm x 2mm) Post



Suggested Fasteners: QS-111 (saddle to handrail, round type); QS-113 (saddle to handrail, flat type)

Part #	Finish	Alloy	Post Type	Style	Saddle Type	INDOOR	OUTDOOR
						Weight	
13.0702.038.12	#4 Satin	304	\varnothing 1-1/2" (38.1mm)	Fixed	Suits \varnothing 1-1/2" (38.1mm)	0.50 lbs. ea	
◆ 14.0702.038.12	#4 Satin	316	\varnothing 1-1/2" (38.1mm)	Fixed	Suits \varnothing 1-1/2" (38.1mm)	0.53 lbs. ea	
13.0702.000.12	#4 Satin	304	\varnothing 1-1/2" (38.1mm)	Fixed	Flat	0.60 lbs. ea	

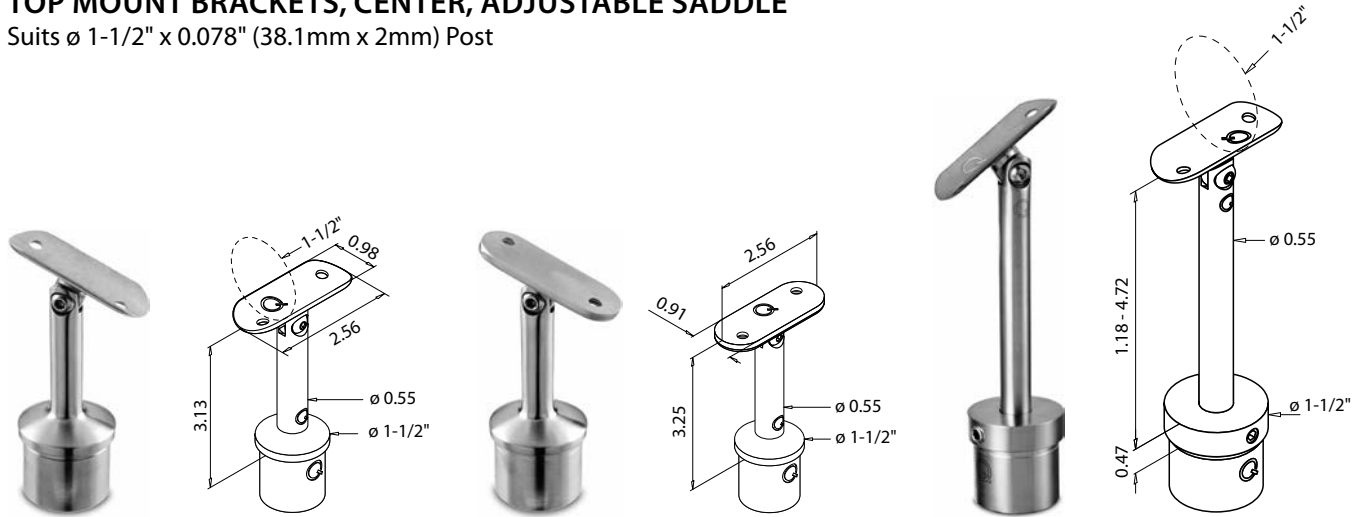
Products marked with a ◆ are available on special order. Contact your Sales Representative for more information.

Q-line®

Components

TOP MOUNT BRACKETS, CENTER, ADJUSTABLE SADDLE

Suits \varnothing 1-1/2" x 0.078" (38.1mm x 2mm) Post



Suggested Fasteners: QS-111 (saddle to handrail, round type); QS-113 (saddle to handrail, flat type)

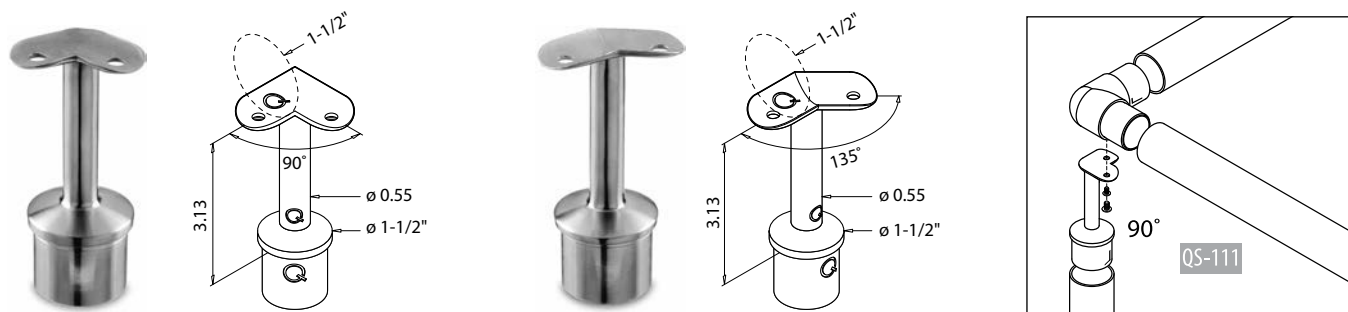
INDOOR OUTDOOR

Part #	Finish	Alloy	Post Type	Style	Saddle Type	Weight
13.0705.038.12	#4 Satin	304	\varnothing 1-1/2" (38.1mm)	Adjustable	Suits \varnothing 1-1/2" (38.1mm)	0.55 lbs. ea
◆ 14.0705.038.12	#4 Satin	316	\varnothing 1-1/2" (38.1mm)	Adjustable	Suits \varnothing 1-1/2" (38.1mm)	0.53 lbs. ea
13.0705.000.12	#4 Satin	304	\varnothing 1-1/2" (38.1mm)	Adjustable	Flat	0.61 lbs. ea
◆ 14.0705.000.12	#4 Satin	316	\varnothing 1-1/2" (38.1mm)	Adjustable	Flat	0.60 lbs. ea
13.0700.038.12	#4 Satin	304	\varnothing 1-1/2" (38.1mm)	Adjustable	Suits \varnothing 1-1/2" (38.1mm)	1.00 lbs. ea
◆ 14.0700.038.12	#4 Satin	316	\varnothing 1-1/2" (38.1mm)	Adjustable	Suits \varnothing 1-1/2" (38.1mm)	1.00 lbs. ea

Products marked with a ◆ are available on special order. Contact your Sales Representative for more information.

TOP MOUNT BRACKETS, CORNER, 90° AND 135°, FIXED SADDLE

Suits \varnothing 1-1/2" x 0.078" (38.1mm x 2mm) Post



Suggested Fasteners: QS-111 (saddle to handrail)

INDOOR OUTDOOR

Part #	Finish	Alloy	Post Type	Style	Saddle Type	Weight
13.0702.838.12	#4 Satin	304	\varnothing 1-1/2" (38.1mm)	Fixed, 90°	Suits \varnothing 1-1/2" (38.1mm)	0.60 lbs. ea
◆ 14.0702.838.12	#4 Satin	316	\varnothing 1-1/2" (38.1mm)	Fixed, 90°	Suits \varnothing 1-1/2" (38.1mm)	0.53 lbs. ea
13.0702.338.12	#4 Satin	304	\varnothing 1-1/2" (38.1mm)	Fixed, 135°	Suits \varnothing 1-1/2" (38.1mm)	0.60 lbs. ea
◆ 14.0702.338.12	#4 Satin	316	\varnothing 1-1/2" (38.1mm)	Fixed, 135°	Suits \varnothing 1-1/2" (38.1mm)	0.53 lbs. ea

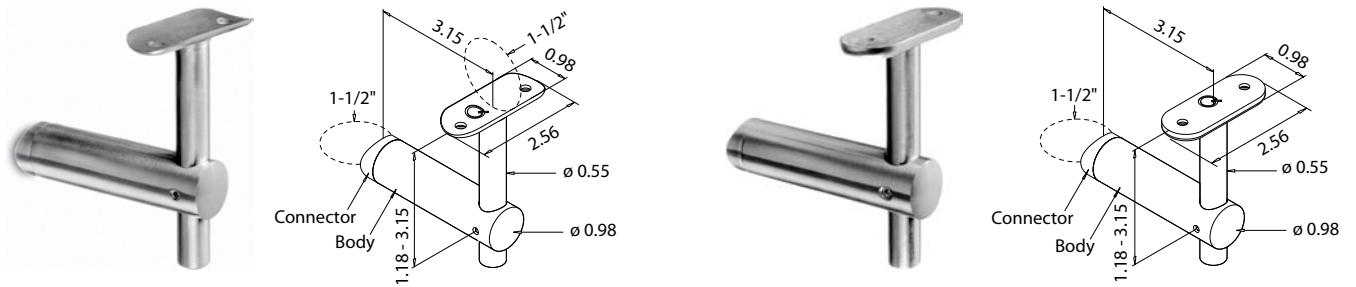
Products marked with a ◆ are available on special order. Contact your Sales Representative for more information.

Q-line®

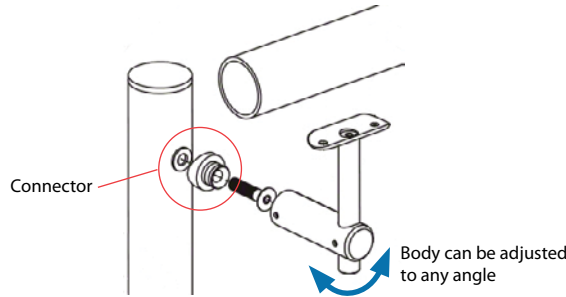
Components

POST MOUNT ADJUSTABLE BRACKET, FIXED SADDLE

Suits \varnothing 1-1/2" (38.1mm) Post



Installation is made easy with the removable coped connector. Once the connector is affixed to the post the bracket body seamlessly connects to it and can be adjusted to accommodate the angle of the handrail.



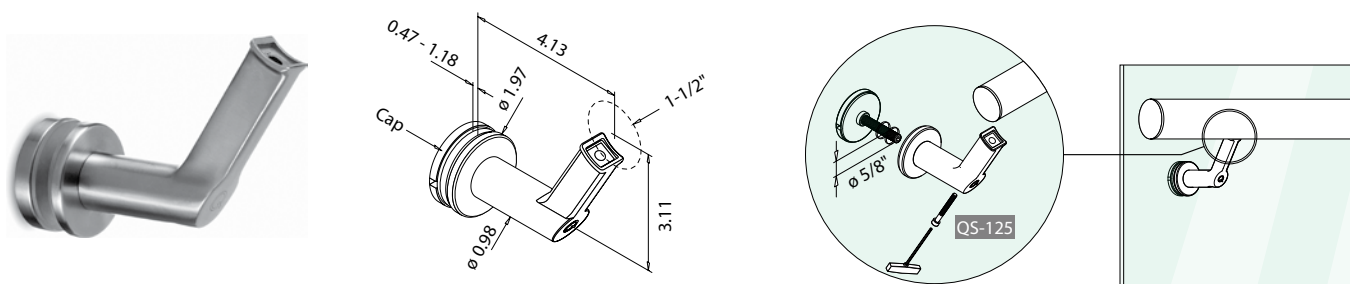
Suggested Fasteners: QS-111 (saddle to handrail, round type); QS-113 (saddle to handrail, flat type); QS-122 (bracket to post)

Part #	Finish	Alloy	Post Type	Style	Saddle Type	Environment	
						INDOOR	OUTDOOR
13.0138.038.12	#4 Satin	304	\varnothing 1-1/2" (38.1mm)	Fixed	Suits \varnothing 1-1/2" (38.1mm)		0.95 lbs. ea
◆ 14.0138.038.12	#4 Satin	316	\varnothing 1-1/2" (38.1mm)	Fixed	Suits \varnothing 1-1/2" (38.1mm)		0.95 lbs. ea
13.0130.000.12	#4 Satin	304	\varnothing 1-1/2" (38.1mm)	Fixed	Flat		0.96 lbs. ea

Products marked with a ◆ are available on special order. Contact your Sales Representative for more information.

GLASS MOUNT BRACKET

Suits glass 0.47" to 1.18" (12mm to 30mm). Supplied with clear gaskets.



Suggested Fasteners: QS-125 (saddle to handrail)

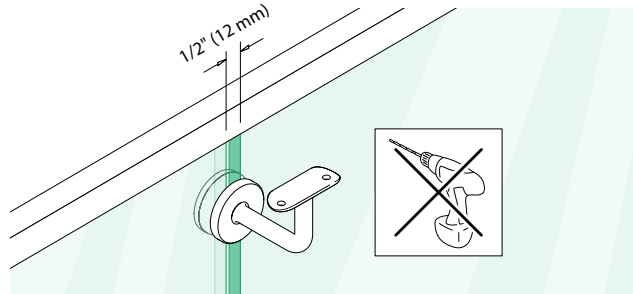
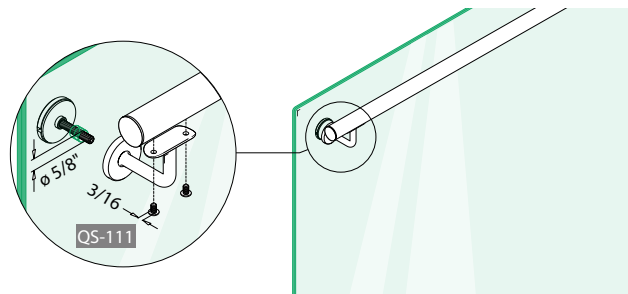
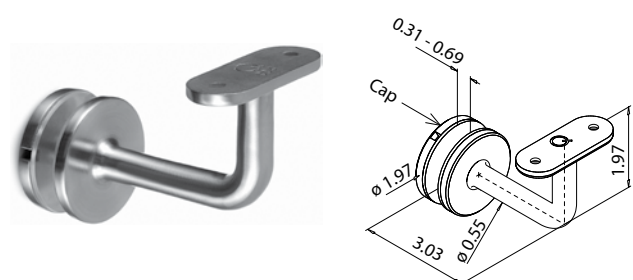
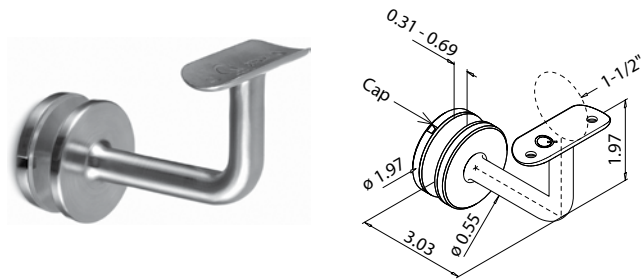
Part #	Finish	Alloy	Type	Style	Saddle Type	Environment	
						INDOOR	OUTDOOR
13.9350.038.12	#4 Satin	304	Glass Mount	Fixed	Suits \varnothing 1-1/2" (38.1mm)		1.18 lbs. ea

Q-line®

Components

GLASS MOUNT BRACKET, FIXED SADDLE

Suits glass 0.31" to 0.69" (12mm to 30mm). Two mounting options shown below. Supplied with clear gaskets.



Mounting Method A

Glass is pre-drilled to accommodate handrail bracket.

Mounting Method B

Bracket is fastened between glass panels. No drilling required.

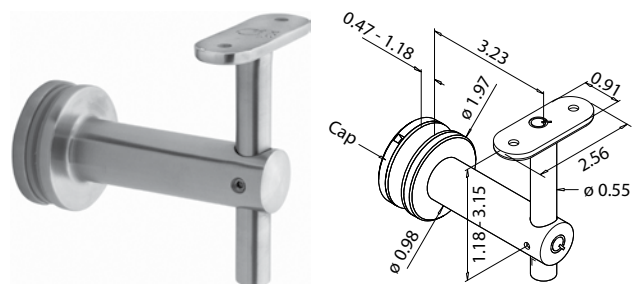
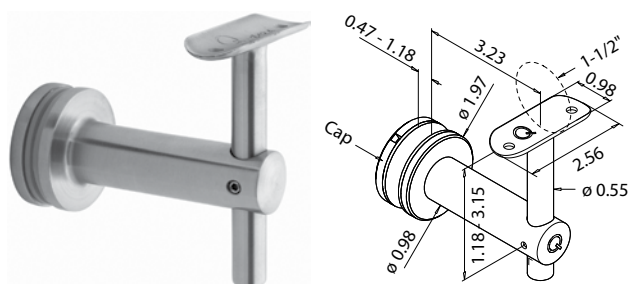
Suggested Fasteners: QS-111 (saddle to handrail, round type); QS-113 (saddle to handrail, flat type)

INDOOR

Part #	Finish	Alloy	Type	Style	Saddle Type	Weight
13.0117.038.12	#4 Satin	304	Glass Mount	Fixed	Suits \varnothing 1-1/2" (38.1mm)	0.90 lbs. ea
13.0117.000.12	#4 Satin	304	Glass Mount	Fixed	Flat	0.90 lbs. ea

GLASS MOUNT ADJUSTABLE BRACKET, FIXED SADDLE

Suits glass 0.47" to 1.18" (12mm to 30mm). Supplied with clear gaskets.



Suggested Fasteners: QS-111 (saddle to handrail, round type); QS-113 (saddle to handrail, flat type)

INDOOR

OUTDOOR

Part #	Finish	Alloy	Type	Style	Saddle Type	Weight
13.0150.038.12	#4 Satin	304	Glass Mount	Fixed	Suits \varnothing 1-1/2" (38.1mm)	1.50 lbs. ea
14.0150.038.12	#4 Satin	316	Glass Mount	Fixed	Suits \varnothing 1-1/2" (38.1mm)	1.52 lbs. ea
13.0150.000.12	#4 Satin	304	Glass Mount	Fixed	Flat	1.52 lbs. ea
◆ 14.0150.000.12	#4 Satin	316	Glass Mount	Fixed	Flat	1.56 lbs. ea

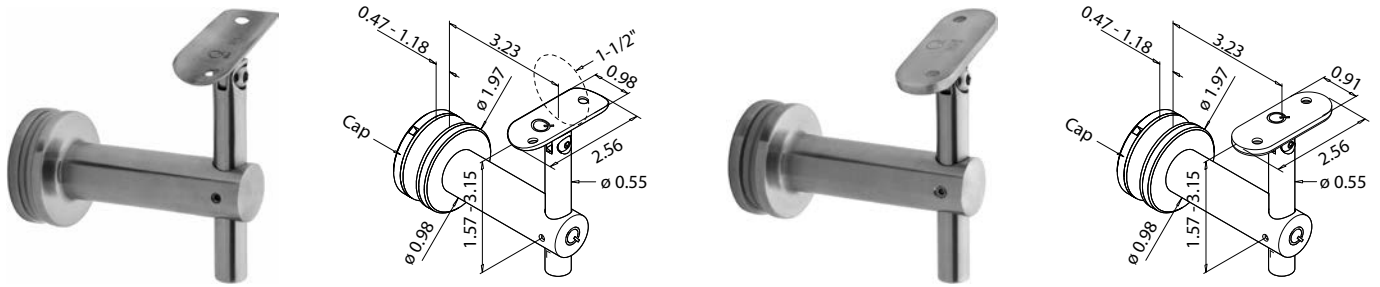
Products marked with a ◆ are available on special order. Contact your Sales Representative for more information.

Q-line®

Components

GLASS MOUNT ADJUSTABLE BRACKET, ADJUSTABLE SADDLE

Suits glass 0.47" to 1.18" (12mm to 30mm). Supplied with clear gaskets.



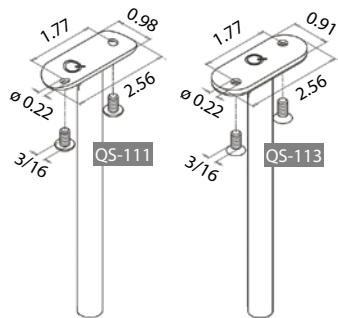
Suggested Fasteners: QS-111 (saddle to handrail, round type); QS-113 (saddle to handrail, flat type)

INDOOR OUTDOOR

Part #	Finish	Alloy	Type	Style	Saddle Type	Weight
13.0155.038.12	#4 Satin	304	Glass Mount	Adjustable	Suits \varnothing 1-1/2" (38.1mm)	1.49 lbs. ea
14.0155.038.12	#4 Satin	316	Glass Mount	Adjustable	Suits \varnothing 1-1/2" (38.1mm)	1.52 lbs. ea
13.0155.000.12	#4 Satin	304	Glass Mount	Adjustable	Flat	1.53 lbs. ea
◆ 14.0155.000.12	#4 Satin	316	Glass Mount	Adjustable	Flat	1.56 lbs. ea

Products marked with a ◆ are available on special order. Contact your Sales Representative for more information.

Handrail Bracket Fasteners



The suggested fastener for all handrail brackets with saddle is QS-111 for round type or QS-113 for flat type. See page 69.

C-spanner Wrench



Tightening the Q-line® bracket cap in place is made easy with the C-spanner wrench Q-32. See page 70.

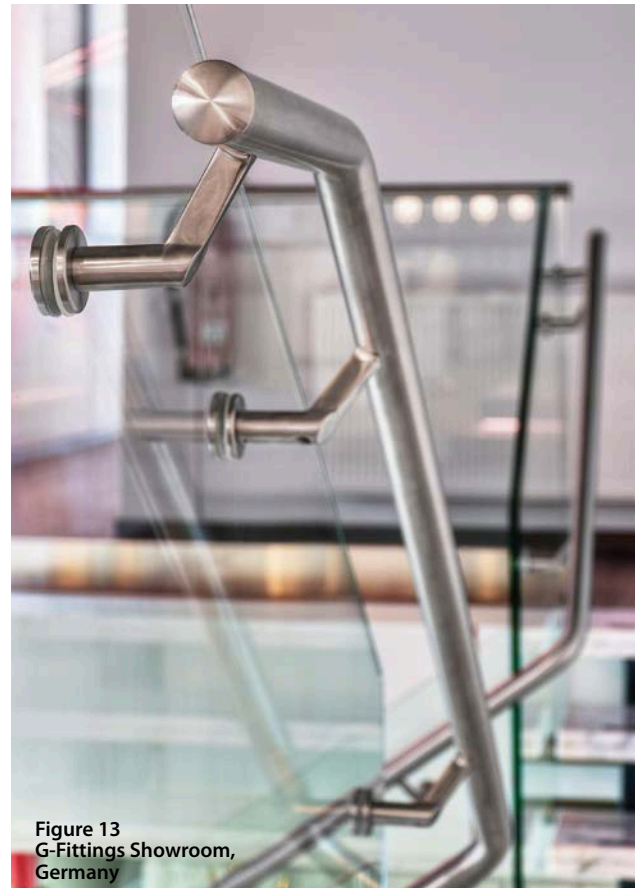
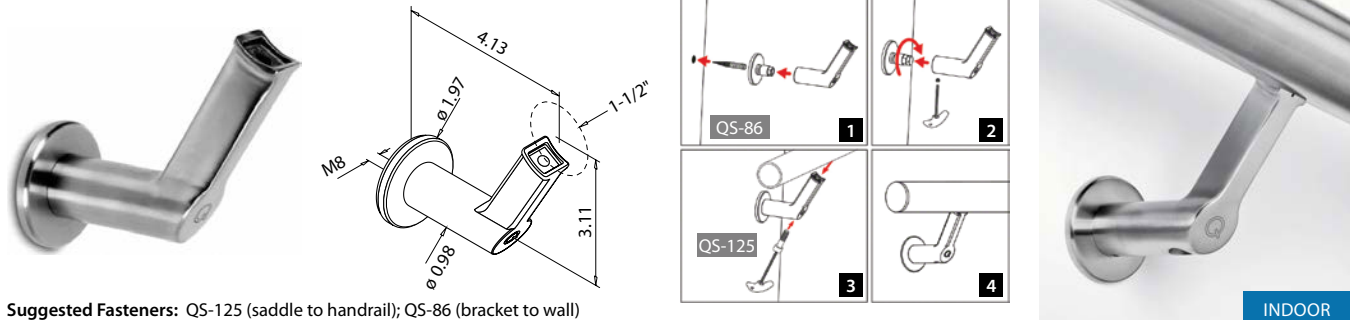


Figure 13
G-Fittings Showroom,
Germany

Q-line®

Components

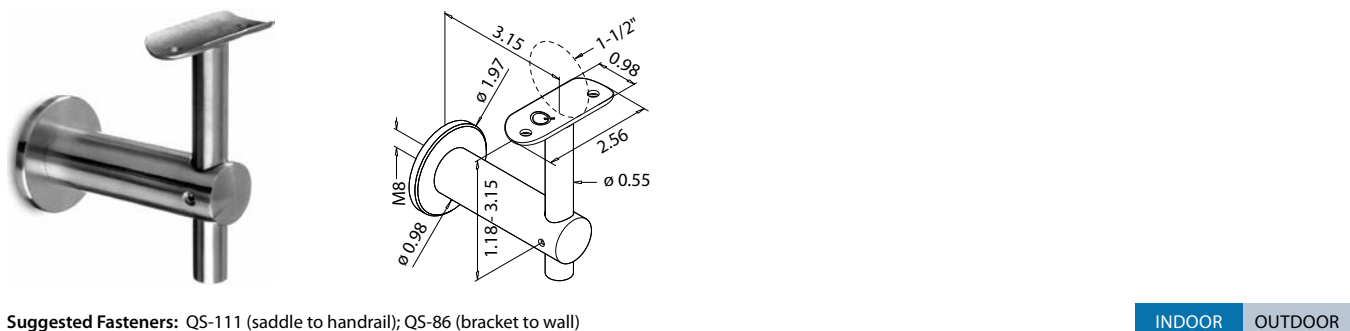
WALL MOUNT BRACKET



Suggested Fasteners: QS-125 (saddle to handrail); QS-86 (bracket to wall)

Part #	Finish	Alloy	Type	Style	Saddle Type	Weight
13.9320.038.12	#4 Satin	304	Wall Mount	Fixed	Suits \varnothing 1-1/2" (38.1mm)	0.88 lbs. ea

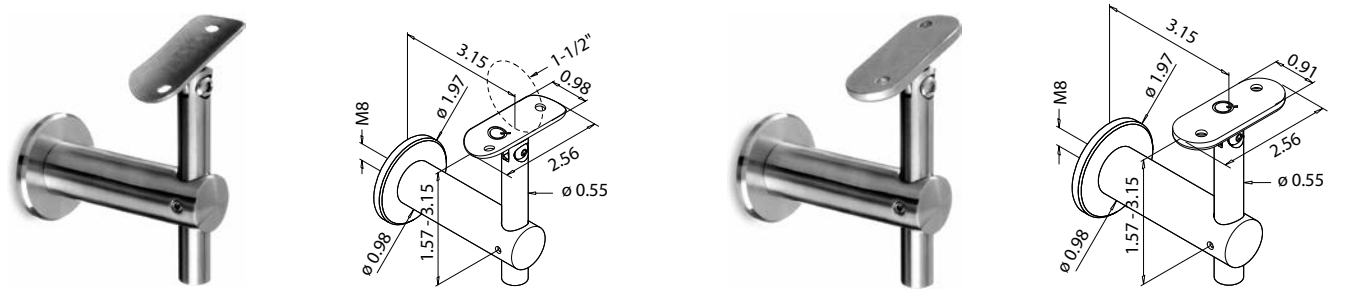
WALL MOUNT ADJUSTABLE BRACKET, FIXED SADDLE



Suggested Fasteners: QS-111 (saddle to handrail); QS-86 (bracket to wall)

Part #	Finish	Alloy	Type	Style	Saddle Type	Weight
13.0140.038.12	#4 Satin	304	Wall Mount	Fixed	Suits \varnothing 1-1/2" (38.1mm)	1.17 lbs. ea
14.0140.038.12	#4 Satin	316	Wall Mount	Fixed	Suits \varnothing 1-1/2" (38.1mm)	1.08 lbs. ea

WALL MOUNT ADJUSTABLE BRACKET, ADJUSTABLE SADDLE



Suggested Fasteners: QS-111 (saddle to handrail, round type); QS-113 (saddle to handrail, flat type); QS-86 (bracket to wall)

Part #	Finish	Alloy	Type	Style	Saddle Type	Weight
13.0145.038.12	#4 Satin	304	Wall Mount	Adjustable	Suits \varnothing 1-1/2" (38.1mm)	1.10 lbs. ea
14.0145.038.12	#4 Satin	316	Wall Mount	Adjustable	Suits \varnothing 1-1/2" (38.1mm)	1.09 lbs. ea
13.0145.000.12	#4 Satin	304	Wall Mount	Adjustable	Flat	1.16 lbs. ea

Q-line®

Glass Clips



Figure 14 - Q-Lab, Germany

Safety and Security

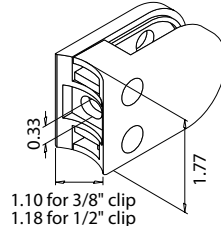
Q-railing® glass clips are engineered for use without a security pin and comply with DIN 12600, the German industry norm for impact safety. Use Q-railing approved glass clips and posts together for safety and security.

Save Time and Money

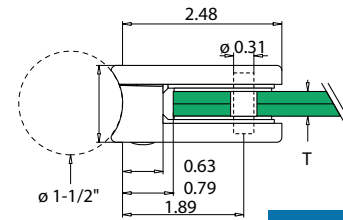
- Glass clips have been successfully tested to grip both tempered and laminated glass with immense strength; use of a security pin is optional, except in fascia mount applications where it is required
- Front and back of clip hold together during assembly through unique nesting design to facilitate glass installation
- All glass clips can be used with a panel of glass with a width of up to 5.3'
- Extra large screws with pre-applied Loctite® thread sealant prevent slippage and corrosion

ROUND GLASS CLIPS

Suits \varnothing 1-1/2" (38.1mm) Round Post



Suggested Fasteners: QS-127 (clip to post)

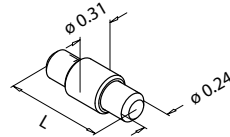


INDOOR OUTDOOR

Part #	Finish	Alloy	Glass Size* (T)	Weight
13.2210.038.12	#4 Satin	304	3/8" mono. (10mm)	0.74 lbs. ea
14.2210.038.12	#4 Satin	316	3/8" mono. (10mm)	0.74 lbs. ea
13.2512.038.12	#4 Satin	304	1/2" mono. (12mm)	0.75 lbs. ea
14.2512.038.12	#4 Satin	316	1/2" mono. (12mm)	0.77 lbs. ea

* Tempered glass.

SECURITY PIN FOR GLASS CLIPS (OPTIONAL)



INDOOR OUTDOOR

Part #	19.5015.022.00	19.5015.025.00
Alloy	316	316
Length (L)	55/64" (22mm)	63/64" (25mm)
Clip Size	For 3/8" mono. (10mm) glass	For 1/2" mono. (12mm) glass
Weight	0.01 lbs. ea	0.01 lbs. ea

Certified Genuine



All glass clips come in branded custom packaging carefully packed in a hygienic environment to avoid contamination. Look for the authorized quality control certificate for your assurance.

Q-line®

Cross Bar and Terminals

CROSS BARS AND TERMINALS

For round or square baluster posts, cross bar railing infill is a versatile design choice for level or angled applications. Cross bar and terminals are offered in round form. Terminals are available in left, center and right-hand configurations to provide a practical solution for design challenges.

Easy to install, the cross bar terminal is a two-part component that includes a coped connector. The terminal body seamlessly fits with the connector and can be secured to accommodate the cross bar at any angle. All components have a #4 satin finish and create a harmonious, complete modular system.

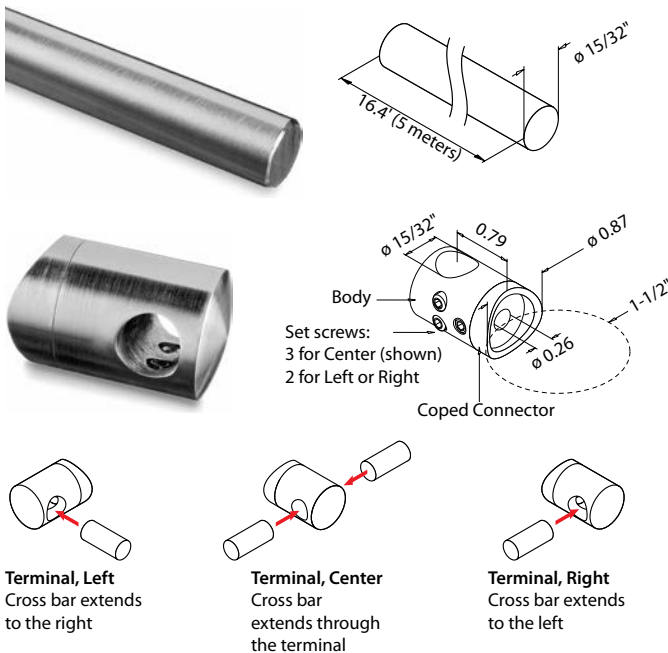
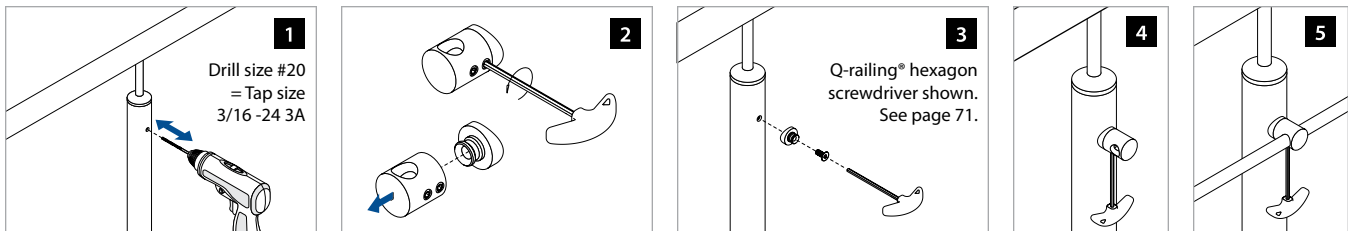


Figure 15 - Illustrative Product Demonstration



Suggested Fasteners: QS-113 (terminal to post)

Part #	Description	Alloy	Diameter (ø)	Suits ø Post	INDOOR	OUTDOOR
					Weight	
13.0900.012.12	Cross Bar	304	15/32" (12mm)	n/a	9.84 lbs./length	
◆ 14.0900.012.12	Cross Bar	316	15/32" (12mm)	n/a	10.33 lbs./length	
13.0832.038.12	Terminal, Left	304	Suits ø 15/32" (12mm) bar	1-1/2" (38.1mm)	0.14 lbs. ea	
◆ 14.0832.038.12	Terminal, Left	316	Suits ø 15/32" (12mm) bar	1-1/2" (38.1mm)	0.14 lbs. ea	
13.0831.038.12	Terminal, Center	304	Suits ø 15/32" (12mm) bar	1-1/2" (38.1mm)	0.13 lbs. ea	
◆ 14.0831.038.12	Terminal, Center	316	Suits ø 15/32" (12mm) bar	1-1/2" (38.1mm)	0.13 lbs. ea	
13.0833.038.12	Terminal, Right	304	Suits ø 15/32" (12mm) bar	1-1/2" (38.1mm)	0.14 lbs. ea	
◆ 14.0833.038.12	Terminal, Right	316	Suits ø 15/32" (12mm) bar	1-1/2" (38.1mm)	0.14 lbs. ea	

Products marked with a ◆ are available on special order. Contact your Sales Representative for more information.



Figure 16 - Rendering for Private Residence, Canada

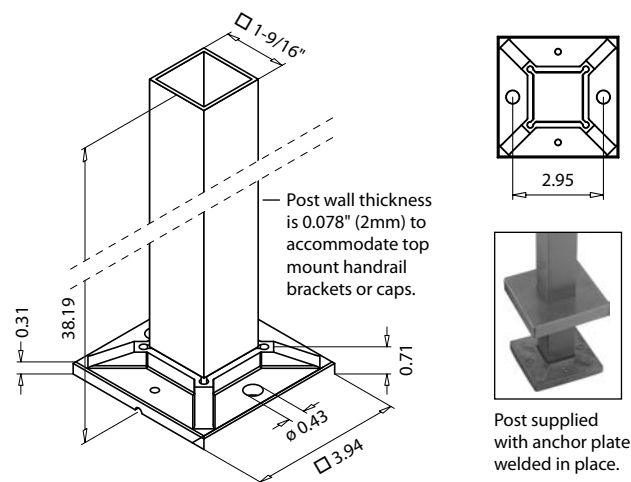
Square Line® 40x40 Square Baluster Railing System

Square Line® 40x40 features square form posts, bases and railing components including baluster brackets, handrail brackets, glass clips and cross bars. Use as a complete system for a contemporary look or combine with round components to satisfy design preferences.

SQUARE POSTS WITH ANCHOR PLATE

Posts are supplied with an anchor plate welded in place and can be combined with cover flange, post cap and Q-railing® certified glass clips (sold separately).

- □ 1-9/16" x 0.078" (40mm x 2mm)
- Anchor plate welded in place



Product dimensions will have some variation due to the manufacturing process. Product dimensions should be checked prior to commencing installation. Do not scale dimensions from drawings.

Performance

A structural performance test is available by request for the Square Line 40x40 system.

Architectural Specifications

An architectural specification is available for download at bezdanQ-railing.com.

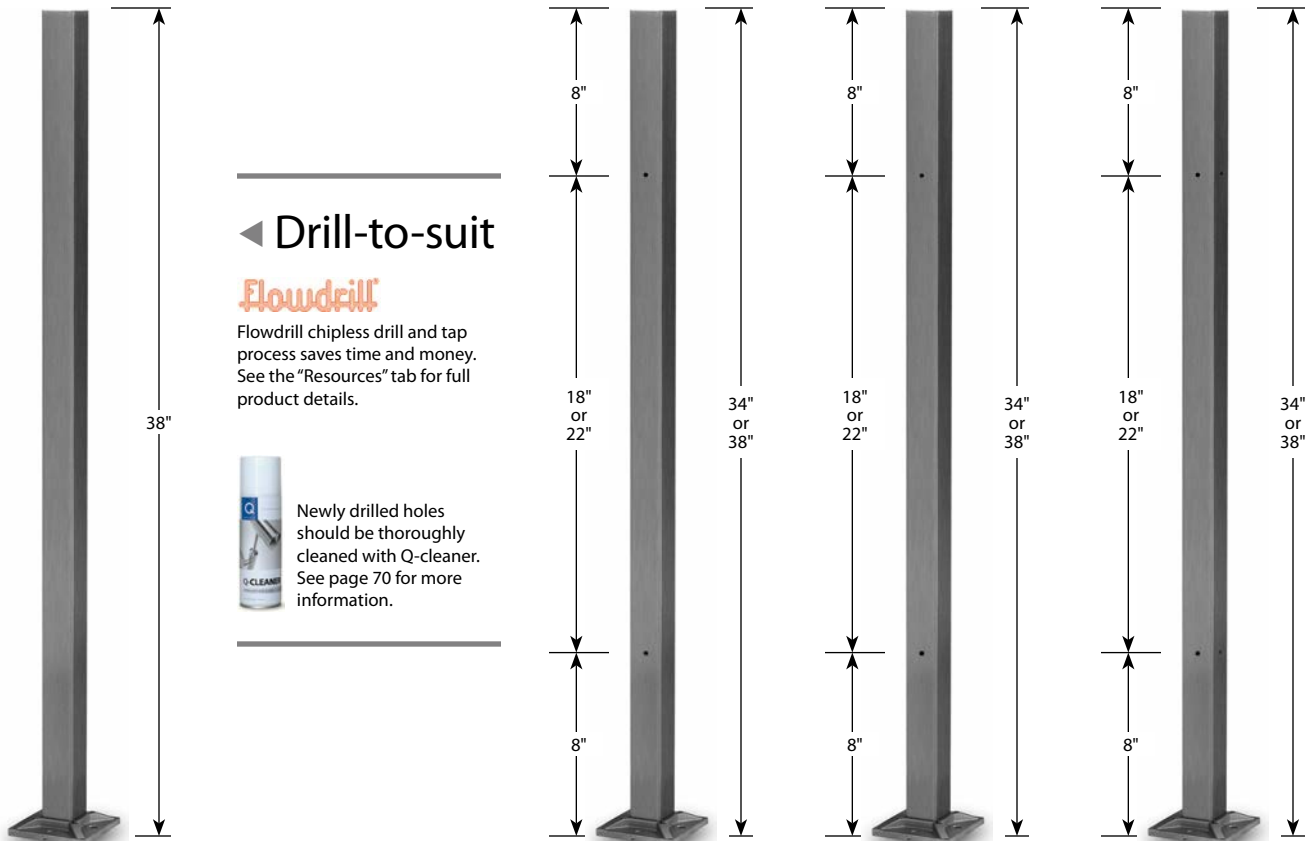
Square Line® 40x40

Posts and Bases

SQUARE POSTS WITH ANCHOR PLATE

□ 1-9/16" x 0.078" (40mm x 2mm) Posts

All posts are supplied with an anchor plate welded in place and are available in plain or pre-drilled to accept Q-railing® certified glass clips for end, center or corner configurations (sold separately).



◀ Drill-to-suit

Flowdrill

Flowdrill chipless drill and tap process saves time and money. See the "Resources" tab for full product details.



Newly drilled holes should be thoroughly cleaned with Q-cleaner. See page 70 for more information.

Plain Post

End Post

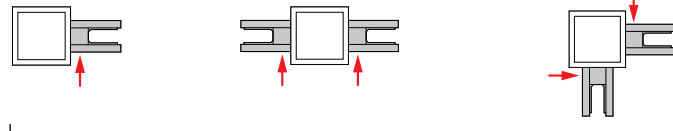
Center Post

Corner Post



Posts accept Q-railing® certified glass clips (square shown).

Suggested Fastener:
QS-127 or a 5/16-18 coarse thread fastener.



Glass clip placement on post.

Suggested Fastener: QS-246 (for anchor plate)

INDOOR

Part #	Description	Glass Clips	Finish	Alloy	Height	Weight
13.4913.040.12	Post, plain	Drill-to-suit	#4 Satin	304	38" (970mm)	6.70 lbs. ea
13.4928.040.12	Post, end	Accepts 2 glass clips	#4 Satin	304	34" (863.6mm)	5.63 lbs. ea
13.4929.040.12	Post, end	Accepts 2 glass clips	#4 Satin	304	38" (970mm)	6.70 lbs. ea
13.4938.040.12	Post, center	Accepts 4 glass clips	#4 Satin	304	34" (863.6mm)	5.63 lbs. ea
13.4939.040.12	Post, center	Accepts 4 glass clips	#4 Satin	304	38" (970mm)	6.70 lbs. ea
13.4948.040.12	Post, corner	Accepts 4 glass clips	#4 Satin	304	34" (863.6mm)	5.63 lbs. ea
13.4949.040.12	Post, corner	Accepts 4 glass clips	#4 Satin	304	38" (970mm)	6.70 lbs. ea

Square Line® 40x40

Posts and Bases



Figure 17 - Illustrative Product Demonstration

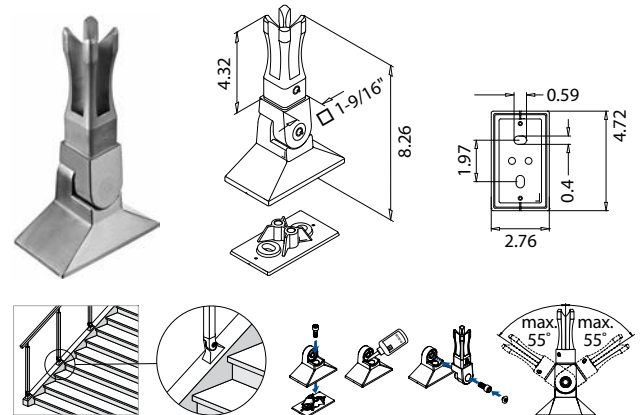
Create Custom Posts



Use square tube in stainless steel to create posts for angled applications, fascia mount or embedding in concrete. See page 58.

ANGLED FLANGE

The angled flange is a surface mount option and works with 1-9/16" (40mm) square stainless steel tube for posts.



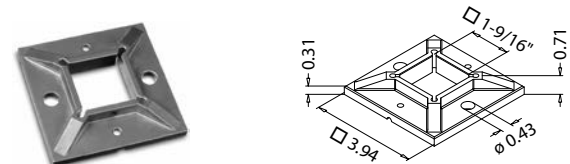
Suggested Fastener: QS-247

INDOOR OUTDOOR

Part #	Alloy	Finish	Weight
14.4943.040.12	316	#4 Satin	4.07 lbs. ea

Mounting details are available for download as either CAD or PDF files at bezdanQ-railing.com.

ANCHOR PLATE



Suggested Fastener: QS-246 (for Alloy 304); QS-247 (for Alloy 316)

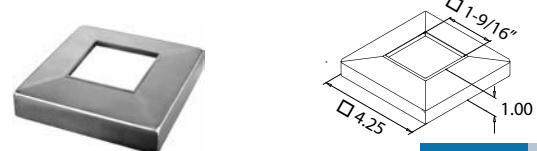
INDOOR OUTDOOR

Part #	Alloy	Weight
13.4940.040.00	304	1.11 lbs. ea
◆ 14.4940.040.00	316	1.12 lbs. ea

Products marked with a ◆ are available on special order. Contact your Sales Representative for more information.

Mounting details are available for download as either CAD or PDF files at bezdanQ-railing.com.

COVER FLANGE



INDOOR OUTDOOR

Part #	Alloy	Finish	Weight
13.4511.040.12	304	#4 Satin	0.52 lbs. ea
◆ 14.4511.040.12	316	#4 Satin	0.52 lbs. ea

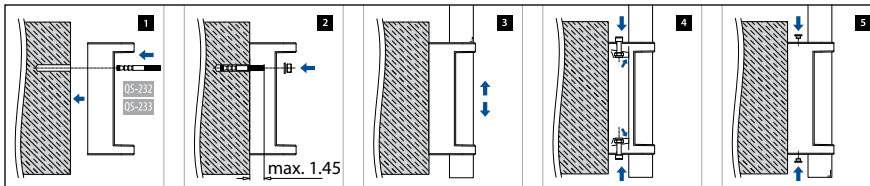
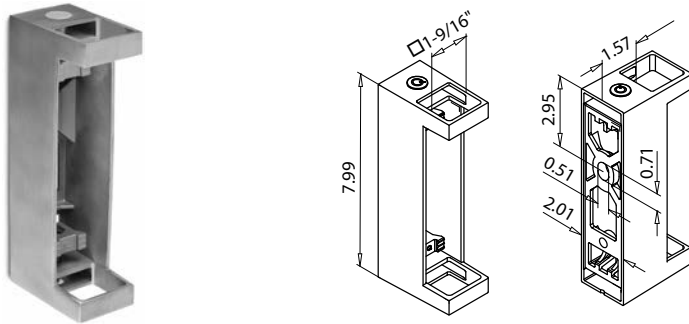
Products marked with a ◆ are available on special order. Contact your Sales Representative for more information.

Square Line® 40x40

Posts and Bases

BALUSTER BRACKET, FASCIA MOUNT

Suits □ 1-9/16" (40mm) tube for fascia mount post. See page 58.



Pre-drill concrete to accommodate suggested fastener (sold separately). Once bracket is mounted and fastened in place, insert post and adjust height as necessary. Tighten screw to secure post in place and cover with blind cap (both components supplied).



Figure 18
Illustrative product demonstration

Suggested Fasteners: QS-232 (for Alloy 304); QS-233 (for Alloy 316)

INDOOR OUTDOOR

Part #	Finish	Alloy	Weight
13.4558.040.12	#4 Satin	304	3.00 lbs. ea
◆ 14.4558.040.12	#4 Satin	316	3.00 lbs. ea

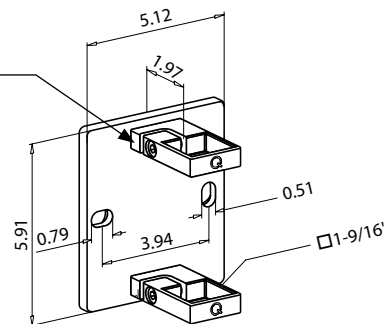
Products marked with a ◆ are available on special order. Contact your Sales Representative for more information.

BALUSTER BRACKET, FASCIA MOUNT

Suits □ 1-9/16" (40mm) tube for fascia mount post. See page 58.



Simply loosen the hexagon screws (supplied) to expand the bracket ring. Insert post and adjust height as necessary. Tighten screws to secure post in place.



Suggested Fasteners: QS-549

INDOOR OUTDOOR

Part #	Alloy	Finish	Weight
13.4551.040.12	304	#4 Satin	3.51 lbs. ea
◆ 14.4551.040.12	316	#4 Satin	3.63 lbs. ea

Products marked with a ◆ are available on special order. Contact your Sales Representative for more information.

Square Line® 40x40

Components

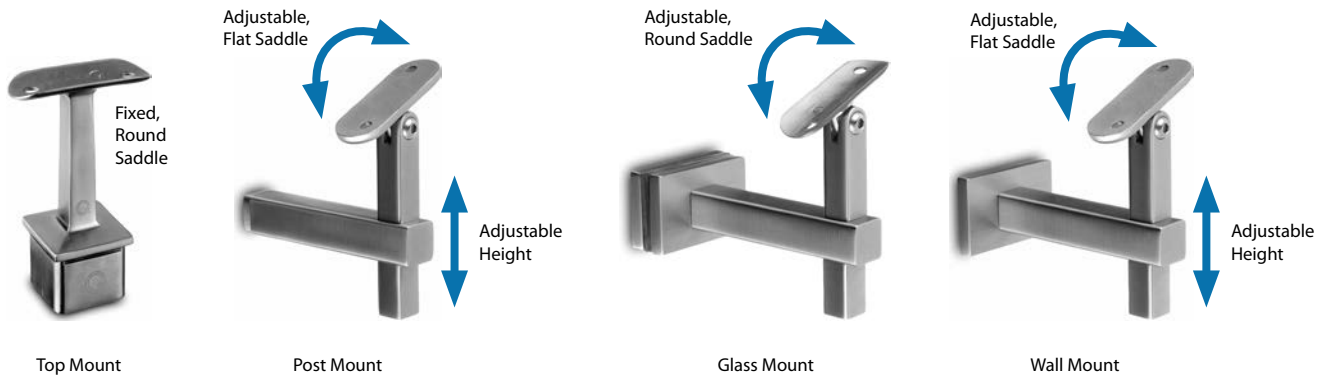
Handrail Bracket Mounting Solutions

Mounting solutions for handrail brackets include top, post, glass and wall mount. Within these styles, variations include:

- Saddle shape to accommodate round or square style handrail
- Options for center and corner applications
- Adjustability for angled applications
- Adjustable bracket height

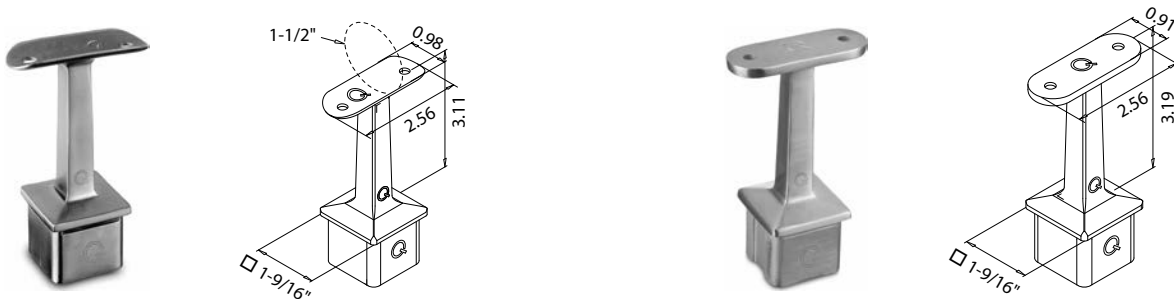
Top and Post Mount

Glass and Wall Mount



TOP MOUNT BRACKETS, CENTER, FIXED SADDLE

Suits □ 1-9/16" x 0.078" (40mm x 2mm) Post



Suggested Fasteners: QS-111 (saddle to handrail, round type); QS-113 (saddle to handrail, flat type)

Part #	Finish	Alloy	Post Type	Style	Saddle Type	INDOOR	OUTDOOR
						Weight	Weight
13.4710.038.12	#4 Satin	304	□ 1-9/16" (40mm)	Fixed	Suits ø 1-1/2" (38.1mm)	0.62 lbs. ea	
◆ 14.4710.038.12	#4 Satin	316	□ 1-9/16" (40mm)	Fixed	Suits ø 1-1/2" (38.1mm)	0.60 lbs. ea	
13.4710.000.12	#4 Satin	304	□ 1-9/16" (40mm)	Fixed	Flat	0.64 lbs. ea	
◆ 14.4710.000.12	#4 Satin	316	□ 1-9/16" (40mm)	Fixed	Flat	0.64 lbs. ea	

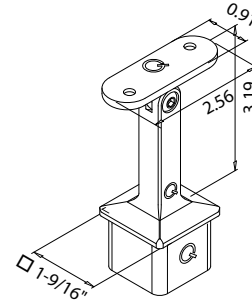
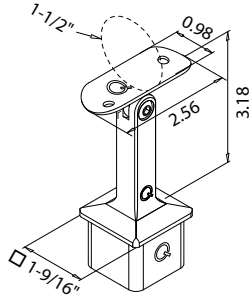
Products marked with a ◆ are available on special order. Contact your Sales Representative for more information.

Square Line® 40x40

Components

TOP MOUNT BRACKETS, CENTER, ADJUSTABLE SADDLE

Suits □ 1-9/16" x 0.078" (40mm x 2mm) Post



Suggested Fasteners: QS-111 (saddle to handrail, round type); QS-113 (saddle to handrail, flat type)

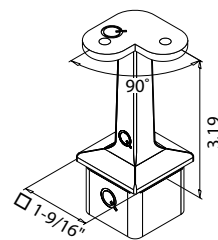
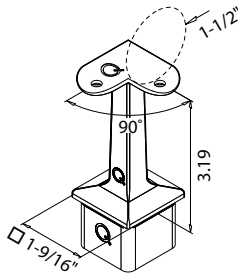
INDOOR OUTDOOR

Part #	Finish	Alloy	Post Type	Style	Saddle Type	Weight
13.4718.038.12	#4 Satin	304	□ 1-9/16" (40mm)	Adjustable	Suits ø 1-1/2" (38.1 mm)	0.62 lbs. ea
◆ 14.4718.038.12	#4 Satin	316	□ 1-9/16" (40mm)	Adjustable	Suits ø 1-1/2" (38.1 mm)	0.62 lbs. ea
13.4718.000.12	#4 Satin	304	□ 1-9/16" (40mm)	Adjustable	Flat	0.67 lbs. ea
◆ 14.4718.000.12	#4 Satin	316	□ 1-9/16" (40mm)	Adjustable	Flat	0.63 lbs. ea

Products marked with a ◆ are available on special order. Contact your Sales Representative for more information.

TOP MOUNT BRACKETS, CORNER, 90°, FIXED SADDLE

Suits □ 1-9/16" x 0.078" (40mm x 2mm) Post



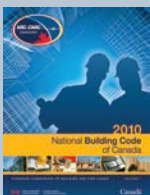
Suggested Fasteners: QS-111 (saddle to handrail, round type); QS-113 (saddle to handrail, flat type)

INDOOR OUTDOOR

Part #	Finish	Alloy	Post Type	Style	Saddle Type	Weight
13.4710.838.12	#4 Satin	304	□ 1-9/16" (40mm)	Fixed	Suits ø 1-1/2" (38.1 mm)	0.56 lbs. ea
◆ 14.4710.838.12	#4 Satin	316	□ 1-9/16" (40mm)	Fixed	Suits ø 1-1/2" (38.1 mm)	0.56 lbs. ea
13.4710.800.12	#4 Satin	304	□ 1-9/16" (40mm)	Fixed	Flat	0.53 lbs. ea
◆ 14.4710.800.12	#4 Satin	316	□ 1-9/16" (40mm)	Fixed	Flat	0.59 lbs. ea

Products marked with a ◆ are available on special order. Contact your Sales Representative for more information.

Building Code Information



Q-railing® has been designed, developed and tested to meet industry norms. This product information is not intended for use as a recommendation for using or installing Q-railing. It is the customer's responsibility to ensure compliance with local, provincial or national building codes. Always consult with your local building department or licensed engineer before starting your project to ensure compliance with your local code.

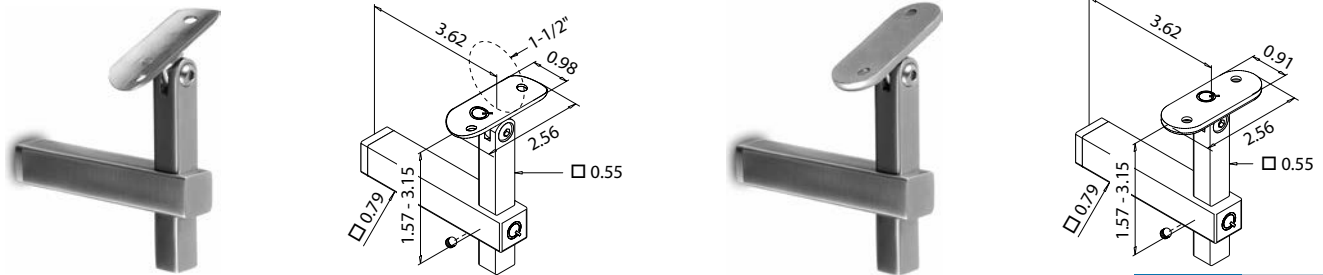
National Building Code cover image reproduced with the permission of the National Research Council of Canada, copyright holder.

Square Line® 40x40

Components

POST MOUNT ADJUSTABLE BRACKET, ADJUSTABLE SADDLE

Suits □ 1-9/16" (40mm) Post



Suggested Fasteners: QS-111 (saddle to handrail, round type); QS-113 (saddle to handrail, flat type); QS-122 (bracket to post)

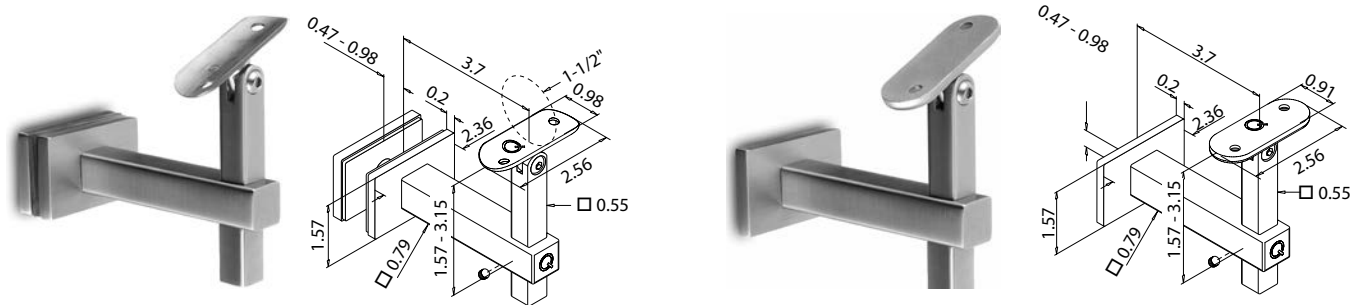
INDOOR OUTDOOR

Part #	Finish	Alloy	Post Type	Style	Saddle Type	Weight
13.4133.038.12	#4 Satin	304	□ 1-9/16" (40mm)	Adjustable	Suits ø 1-1/2" (38.1mm)	0.91 lbs. ea
◆ 14.4133.038.12	#4 Satin	316	□ 1-9/16" (40mm)	Adjustable	Suits ø 1-1/2" (38.1mm)	0.91 lbs. ea
13.4133.000.12	#4 Satin	304	□ 1-9/16" (40mm)	Adjustable	Flat	0.93 lbs. ea

Products marked with a ◆ are available on special order. Contact your Sales Representative for more information.

GLASS MOUNT ADJUSTABLE BRACKET, ADJUSTABLE SADDLE

Suits glass 0.47" to 0.98" (12mm to 30mm). Supplied with clear gaskets.

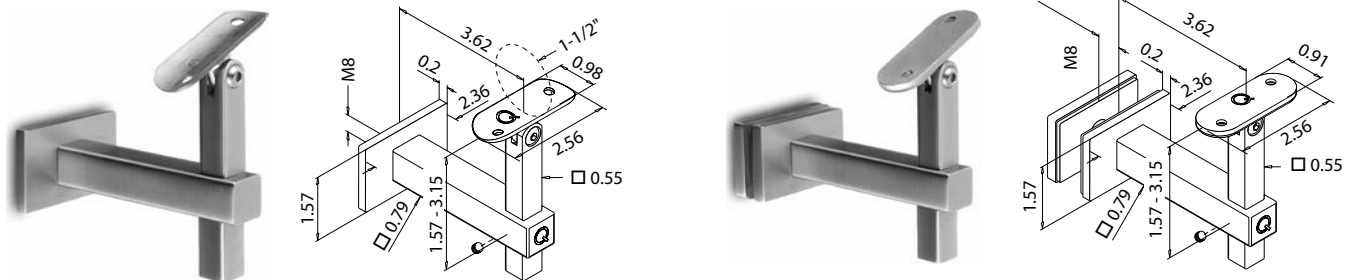


Suggested Fasteners: QS-111 (saddle to handrail, round type); QS-113 (saddle to handrail, flat type)

INDOOR

Part #	Finish	Alloy	Type	Style	Saddle Type	Weight
13.4155.038.12	#4 Satin	304	Glass Mount	Adjustable	Suits ø 1-1/2" (38.1mm)	1.50 lbs. ea
13.4155.000.12	#4 Satin	304	Glass Mount	Adjustable	Flat	1.59 lbs. ea

WALL MOUNT ADJUSTABLE BRACKET, ADJUSTABLE SADDLE



Suggested Fasteners: QS-111 (saddle to handrail, round type); QS-113 (saddle to handrail, flat type); QS-86 (bracket to wall)

INDOOR

Part #	Finish	Alloy	Type	Style	Saddle Type	Weight
13.4145.038.12	#4 Satin	304	Wall Mount	Adjustable	Suits ø 1-1/2" (38.1mm)	1.05 lbs. ea
13.4145.000.12	#4 Satin	304	Wall Mount	Adjustable	Flat	1.26 lbs. ea

Square Line® 40x40

Glass Clips



Figure 19 - Q-Lab, Germany

Safety and Security

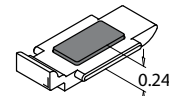
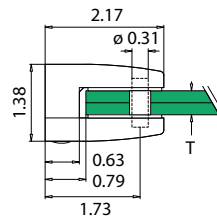
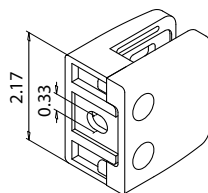
Q-railing® glass clips are engineered for use without a security pin and comply with DIN 12600, the German industry norm for impact safety. Use Q-railing approved glass clips and posts together for safety and security.

Save Time and Money

- Glass clips have been successfully tested to grip both tempered and laminated glass with immense strength; use of a security pin is optional, except in fascia mount applications where it is required
- Front and back of clip hold together during assembly through unique nesting design to facilitate glass installation
- All glass clips can be used with a panel of glass with a width of up to 5.3'
- Extra large screws with pre-applied Loctite® thread sealant prevent slippage and corrosion

SQUARE GLASS CLIPS

Suits □ 1-9/16" (40mm) Square Post



Security plates are included with glass clamps. Use of security plates is recommended for fascia mount installations.

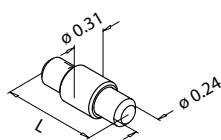
Suggested Fasteners: QS-127 (clip to post)

Part #	Finish	Alloy	Glass Size* (T)	Application	
				INDOOR	OUTDOOR
13.2610.000.12	#4 Satin	304	3/8" mono. (10mm)		1.12 lbs. ea
◆ 14.2610.000.12	#4 Satin	316	3/8" mono. (10mm)		1.17 lbs. ea
13.2612.000.12	#4 Satin	304	1/2" mono. (12mm)		1.10 lbs. ea
◆ 14.2612.000.12	#4 Satin	316	1/2" mono. (12mm)		1.10 lbs. ea

Products marked with a ◆ are available on special order. Contact your Sales Representative for more information.

* Tempered glass.

SECURITY PIN FOR GLASS CLIPS (OPTIONAL)



Part #	19.5015.025.00
Alloy	316
Length (L)	63/64"
Clip Size	3/8" & 1/2" (10mm & 12mm) mono glass
Weight	0.01 lbs. ea

Certified Genuine



All glass clips come in branded custom packaging carefully packed in a hygienic environment to avoid contamination. Look for the authorized quality control certificate for your assurance.

Square Line® 40x40

Cross Bar and Terminals

CROSS BARS AND TERMINALS

For round or square baluster posts, cross bar railing infill is a versatile design choice for level or angled applications. Cross bar and terminals are offered in round form. Terminals are available in left, center and right-hand configurations to provide a practical solution for design challenges.

Easy to install, the cross bar terminal is a two-part component that includes a coped connector. The terminal body seamlessly fits with the connector and can be secured to accommodate the cross bar at any angle. All components have a #4 satin finish and create a harmonious, complete modular system.

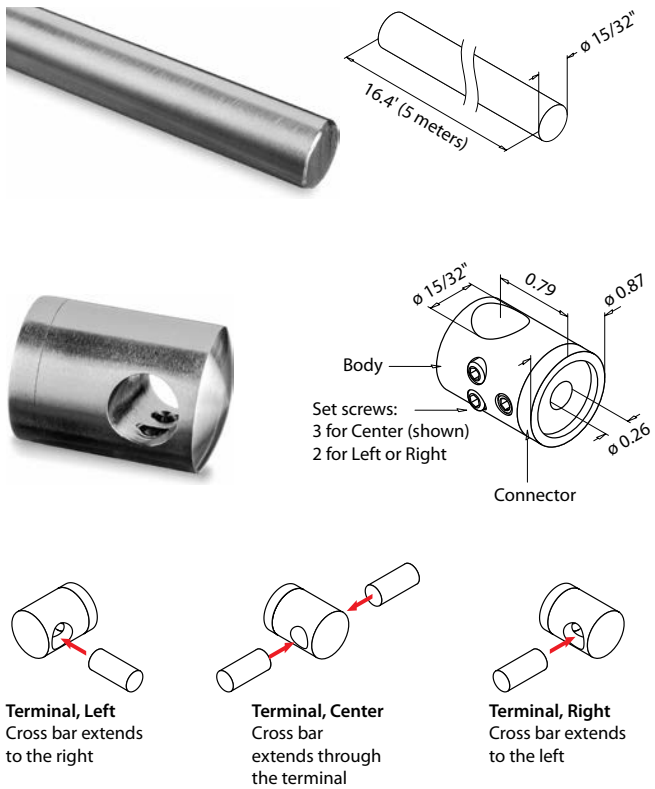
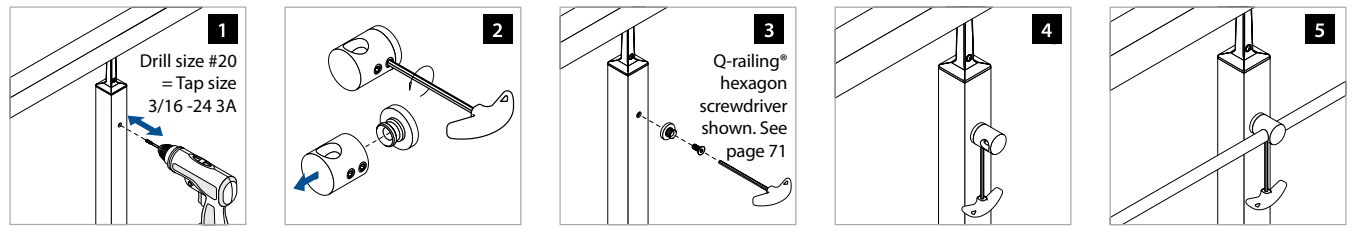


Figure 20
Illustrative Product
Demonstration



Suggested Fasteners: QS-113 (terminal to post)

INDOOR

Part #	Description	Alloy	Diameter (ø)	Suits Post	Weight
13.0900.012.12	Cross Bar	304	15/32" (12mm)	n/a	9.84 lbs./length
13.0832.000.12	Terminal, Left	304	Suits ø 15/32" (12mm) bar	1-9/16" (40mm)	0.14 lbs. ea
13.0831.000.12	Terminal, Center	304	Suits ø 15/32" (12mm) bar	1-9/16" (40mm)	0.13 lbs. ea
13.0833.000.12	Terminal, Right	304	Suits ø 15/32" (12mm) bar	1-9/16" (40mm)	0.13 lbs. ea



Figure 21
Q-railing Offices,
Germany

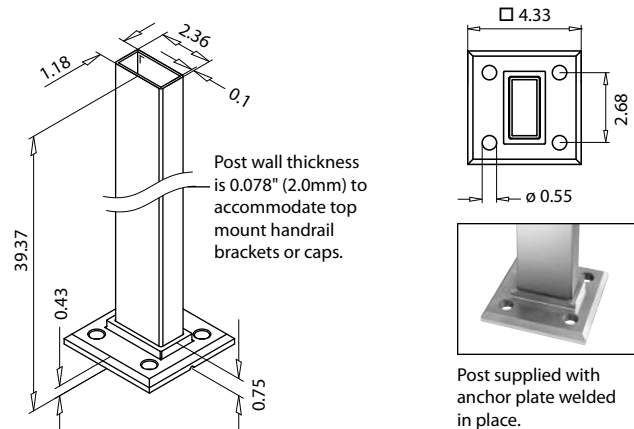
Square Line® 60x30 Rectangular Baluster Railing System

Square Line® 60x30 features rectangular form posts, bases, and handrail brackets. With a depth of 2.36" (60mm), this is a more robust version of Square Line. Balusters have a deeper profile and can withstand even more loads than the square form. Square Line 60x30 accommodates level installations only.

RECTANGULAR POST WITH ANCHOR PLATE

Posts are supplied with an anchor plate welded in place and can be combined with cover flange, post cap and Q-railing® certified glass clips (sold separately).

- □ 2.36" x 1.18" x 0.1" (60mm x 30mm x 2.6mm)
- Anchor plate welded in place



Product dimensions will have some variation due to the manufacturing process. Product dimensions should be checked prior to commencing installation. Do not scale dimensions from drawings.

Performance

A structural performance test is available by request for the Square Line 60x30 system.

Architectural Specifications

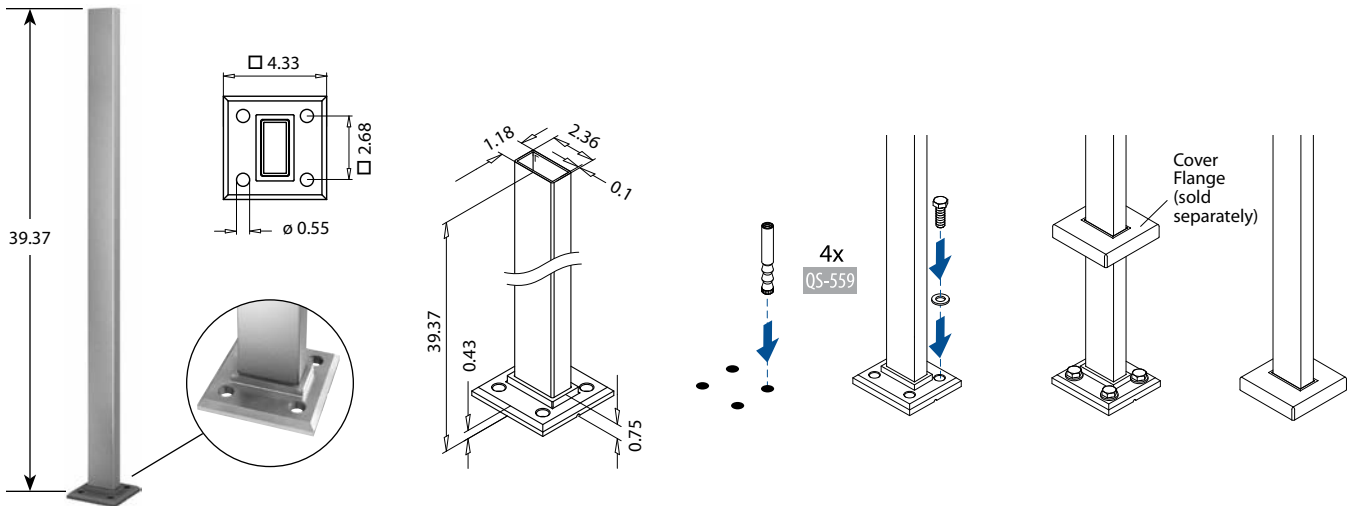
An architectural specification is available for download at bezdanQ-railing.com.

Square Line® 60x30

Posts and Bases

RECTANGULAR POST WITH ANCHOR PLATE

□ 2.36" x 1.18" x 0.1" (60mm x 30mm x 2.6mm) Post

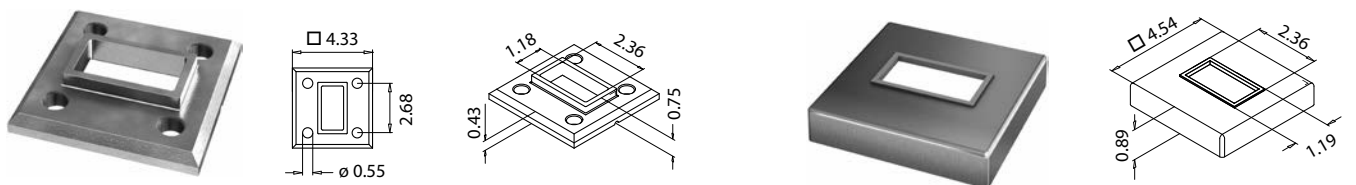


Suggested Fasteners: QS-559

Part #	Glass Clips	Finish	Alloy	Environment	
				INDOOR	OUTDOOR
14.4901.063.12	Drill-to-suit	#4 Satin	316		9.84 lbs. ea

BASE AND COVER FLANGE

□ 2.36" x 1.18" x 0.1" (60mm x 30mm x 2.6mm)



Suggested Fasteners: QS-559

Part #	Description	Finish	Alloy	Environment	
				INDOOR	OUTDOOR
◆ 14.3503.063.00	Base Flange	Mill	316		1.77 lbs. ea
14.4513.063.12	Cover Flange	#4 Satin	316		0.39 lbs. ea

Products marked with a ◆ are available on special order. Contact your Sales Representative for more information.

Create Custom Posts



Use rectangular tube in stainless steel to create posts for fascia mount or embedding in concrete. See page 58.

Genuine "Q" for Quality Parts

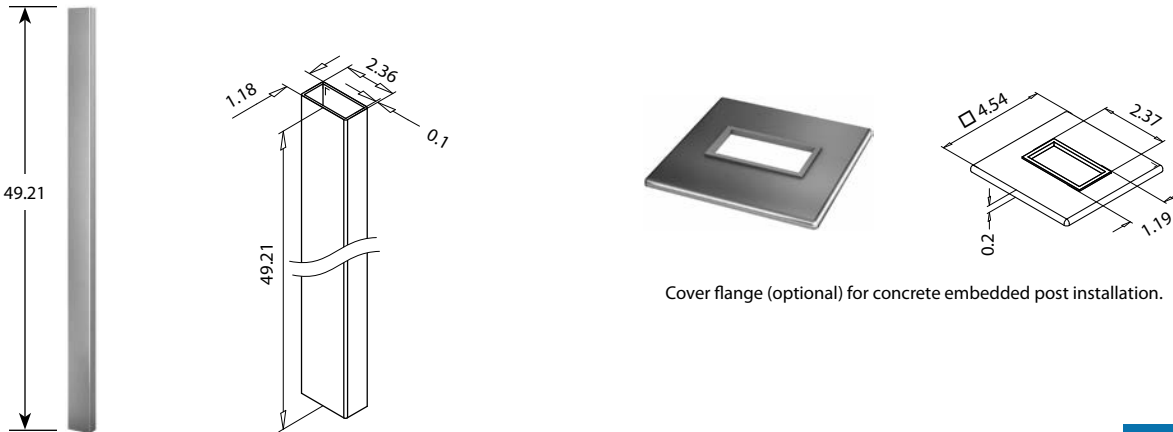
Bezdan supplies only genuine Q-railing® fittings. Each genuine fitting is stamped with the 'Q' mark of quality. All components come in branded custom packaging carefully packed in a hygienic environment to avoid contamination.

Square Line® 60x30

Posts and Bases

FASCIA MOUNT OR CONCRETE EMBEDDED POST AND COVER FLANGE

□ 2.36" x 1.18" x 0.1" (60mm x 30mm x 2.6mm) Post



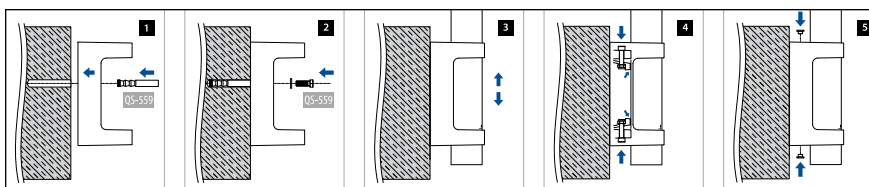
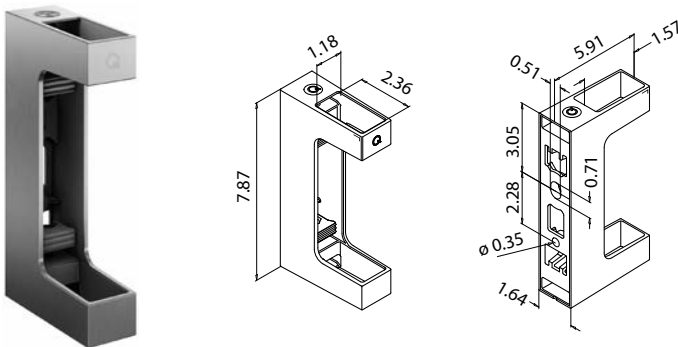
INDOOR OUTDOOR

Part #	Description	Glass Clips	Finish	Alloy	Weight
◆ 14.4902.063.12	Tube	Drill-to-suit	#4 Satin	316	8.30 lbs. ea
◆ 14.4512.063.12	Cover Flange	n/a	#4 Satin	316	0.24 lbs. ea

Products marked with a ◆ are available on special order. Contact your Sales Representative for more information.

BALUSTER BRACKET, FASCIA MOUNT

Suits □ 2.36" x 1.18" x 0.1" (60mm x 30mm x 2.6mm) post, shown above.



Pre-drill concrete to accommodate suggested fastener (sold separately). Once bracket is mounted and fastened in place, insert post and adjust height as necessary. Tighten screw to secure post in place and cover with blind cap (both components supplied).

Suggested Fasteners: QS-559

INDOOR OUTDOOR

Part #	Finish	Alloy	Weight
◆ 14.4558.063.12	#4 Satin	316	3.67 lbs. ea

Products marked with a ◆ are available on special order. Contact your Sales Representative for more information.

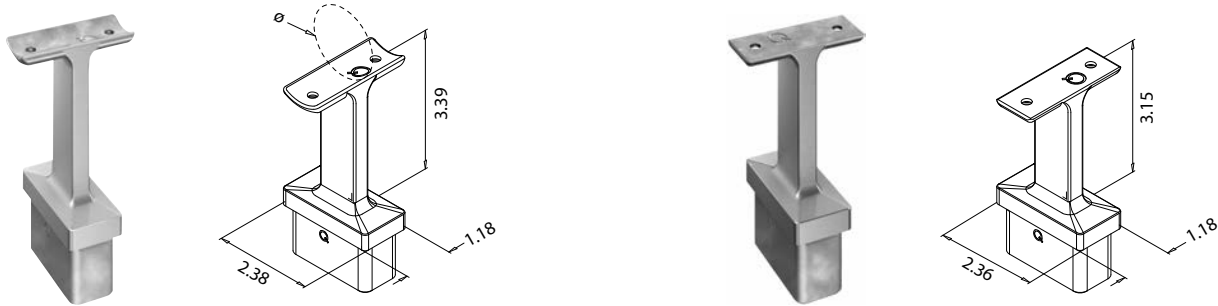
Square Line® 60x30

Components

The Square Line® 60x30 accommodates level installations only. For installations that include stairs please see Square Line 40x40, pages 40-48.

TOP MOUNT BRACKET, CENTER, FIXED SADDLE

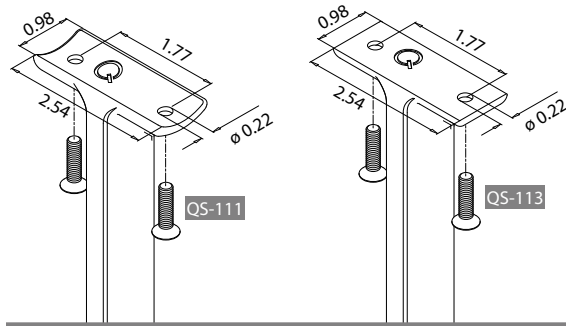
Suits □ 2.36" x 1.18" x 0.1" (60mm x 30mm x 2.6mm) Post



Suggested Fasteners: QS-111 (saddle to handrail, round type); QS-113 (saddle to handrail, flat type)

INDOOR OUTDOOR

Part #	Finish	Alloy	Post Type	Style	Saddle Type	Weight
14.4711.042.12	#4 Satin	316	□ 2.36" x 1.18" (60mm x 30mm)	Fixed	Suits up to \varnothing 1.66" (42.4mm)	0.77 lbs. ea
14.4711.000.12	#4 Satin	316	□ 2.36" x 1.18" (60mm x 30mm)	Fixed	Flat	0.76 lbs. ea



Handrail Bracket Fasteners

The suggested fastener for all handrail brackets with saddle is QS-111 for round type or QS-113 for flat type. See page 69.



Figure 23 - Suffolk One College, England

Quickrail® The Simplest Baluster Railing System

Quickrail® is a uniquely designed system with a hidden slide track in the post. Glass adapters slide easily in the track and lock into place—no drilling or welding required. It's that simple!

These balustrades combine aluminum posts with stainless steel components for a beautiful and sophisticated finish. A light but very strong material, aluminum has a natural oxidation layer that protects it from corrosion. All Q-railing® aluminum products have been given an anodizing treatment to enhance durability and strength and are brushed for a stainless steel effect to harmoniously match stainless steel components.

Choose Quickrail to achieve a symmetrical, industrial look with sharp, angular shapes and eye-catching details. Excellent for a balcony or stairs, an atrium in a home and as a balustrade in shops and offices.

Aluminum Care

Use a sponge with warm water and soap to clean the aluminum surface then rinse it with clean water to prevent streaks. Always treat aluminum with a clear lacquer sealant once cut.

The product dimensions in the following pages will have some variation due to the manufacturing process. Product dimensions should be checked prior to commencing installation. Do not scale dimensions from drawings.

Performance

A technical report is available on request.

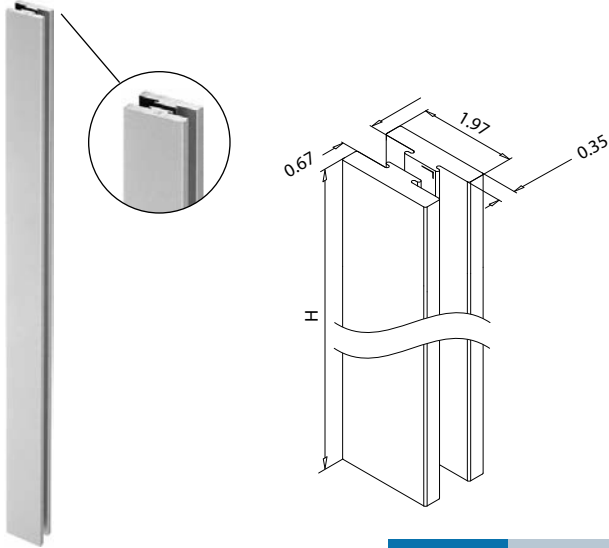
Architectural Specifications

An architectural specification is available for download at bezdanQ-railing.com.

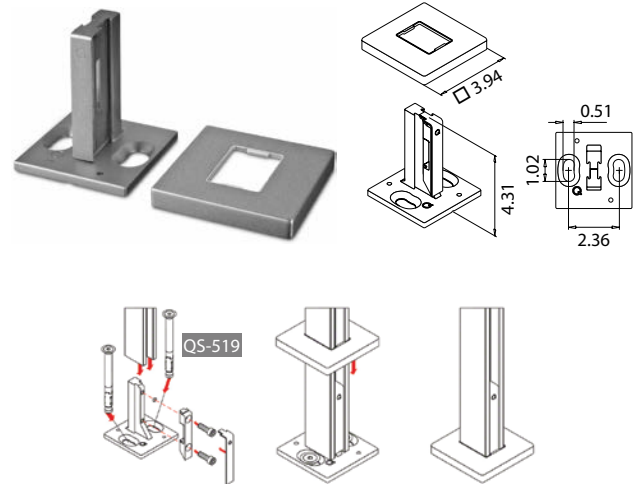
Quickrail®

Posts and Bases

BALUSTER POST



SURFACE MOUNT ANCHOR PLATE AND COVER FLANGE



	INDOOR	OUTDOOR
Part #	16.0545.050.18	◆ 16.0546.050.18
Finish	Brushed Stainless Effect	Brushed Stainless Effect
Alloy	6063-T5	6063-T5
Height (H)	39-3/8" (1000mm)	47-1/4" (1200mm)
Weight	6.48 lbs. ea	7.76 lbs. ea

Suggested Anchor: QS-519

	INDOOR	OUTDOOR
Part #	14.9011.050.12	
Description	Anchor Plate and Flange	
Finish	#4 Satin	
Alloy	316 Stainless Steel	
Weight	2.10 lbs. per set	

Products marked with a ◆ are available on special order. Contact your Sales Representative for more information.

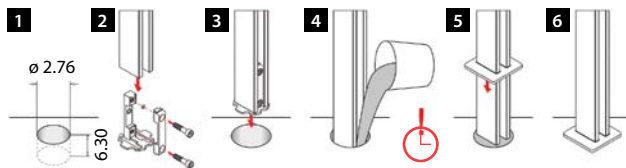
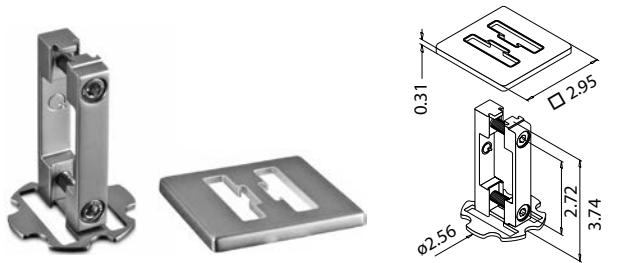


Figure 24 - Office Building Lobby, England

Quickrail®

Posts and Bases

CORE DRILLED ANCHOR PLATE AND COVER FLANGE

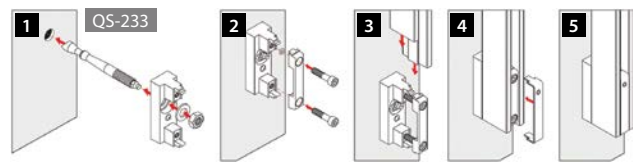
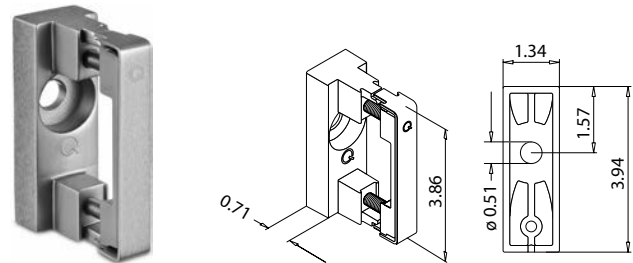


INDOOR OUTDOOR

Part #	◆ 14.9012.050.12
Finish	#4 Satin
Alloy	316 Stainless Steel
Weight	0.93 lbs. ea

Products marked with a ◆ are available on special order. Contact your Sales Representative for more information.

FASCIA MOUNT ANCHOR PLATE

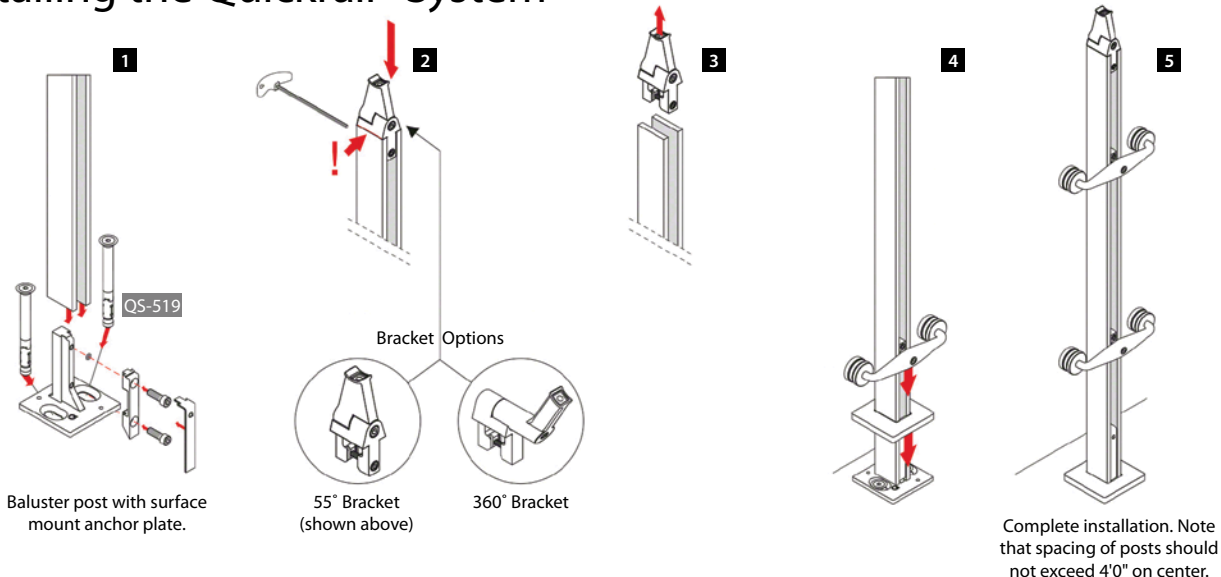


Suggested Fastener: QS-233 INDIVIDUAL OUTDOOR

Part #	◆ 14.9021.050.12
Finish	#4 Satin
Alloy	316 Stainless Steel
Weight	1.21 lbs. ea

Products marked with a ◆ are available on special order. Contact your Sales Representative for more information.

Installing the Quickrail® System



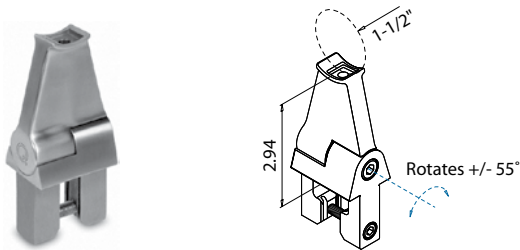
Mounting details are available for download as either CAD or PDF files at bezdanQ-railing.com.

Quickrail®

Components

55° BRACKET

Bracket mounts to top of post.



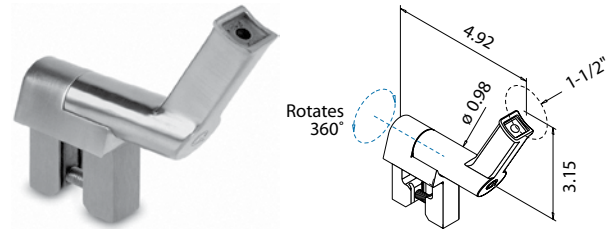
Suggested Anchor: For saddle to handrail QS-154 (for Alloy 304), QS-170 (for Alloy 316)

	INDOOR	OUTDOOR
Part #	14.9310.042.12	◆ 13.9310.042.12
Finish	#4 Satin	#4 Satin
Alloy	316	304
Saddle	∅ 1-1/2" (38.1mm)	∅ 1-1/2" (38.1mm)
Weight	1.19 lbs. ea	1.19 lbs. ea

Products marked with a ◆ are available on special order. Contact your Sales Representative for more information.

360° BRACKET

Bracket mounts to top of post.

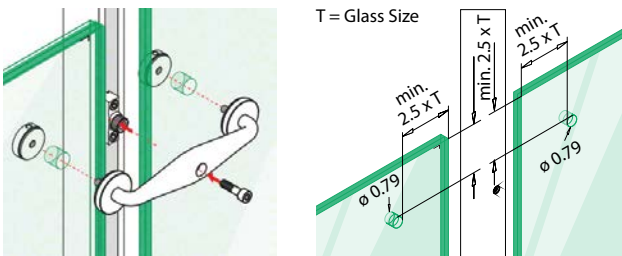
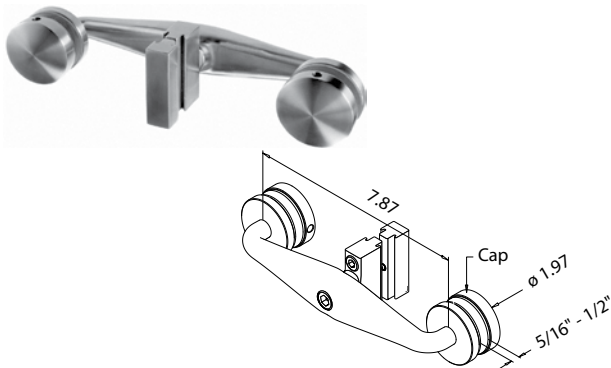


Suggested Fastener: For saddle to handrail QS-125 (for Alloy 304), QS-171 (for Alloy 316)

	INDOOR	OUTDOOR
Part #	14.9300.042.12	◆ 13.9300.042.12
Finish	#4 Satin	#4 Satin
Alloy	316	304
Saddle	∅ 1-1/2" (38.1mm)	∅ 1-1/2" (38.1mm)
Weight	1.24 lbs. ea	1.24 lbs. ea

Products marked with a ◆ are available on special order. Contact your Sales Representative for more information.

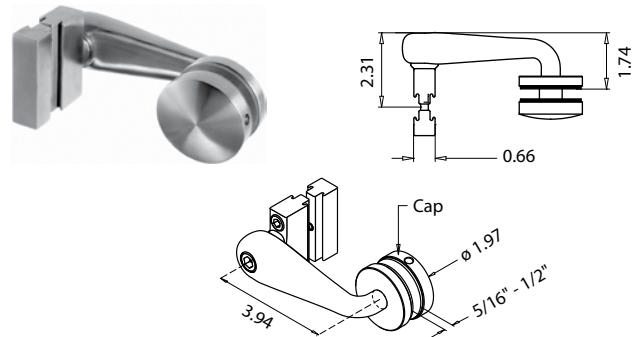
GLASS ADAPTER – DOUBLE



	INDOOR	OUTDOOR
Part #	14.9110.050.12	◆ 13.9110.050.12
Finish	#4 Satin	#4 Satin
Alloy	316	304
Weight	4.10 lbs. ea	4.10 lbs. ea

Products marked with a ◆ are available on special order. Contact your Sales Representative for more information.

GLASS ADAPTER – SINGLE



	INDOOR	OUTDOOR
Part #	14.9111.050.12	◆ 13.9111.050.12
Finish	#4 Satin	#4 Satin
Alloy	316	304
Weight	2.31 lbs. ea	2.55 lbs. ea

Products marked with a ◆ are available on special order. Contact your Sales Representative for more information.

C-spanner Wrench



Tightening the Quickrail® Glass Adapter cap in place is made easy with the C-spanner wrench Q-32. See page 70.

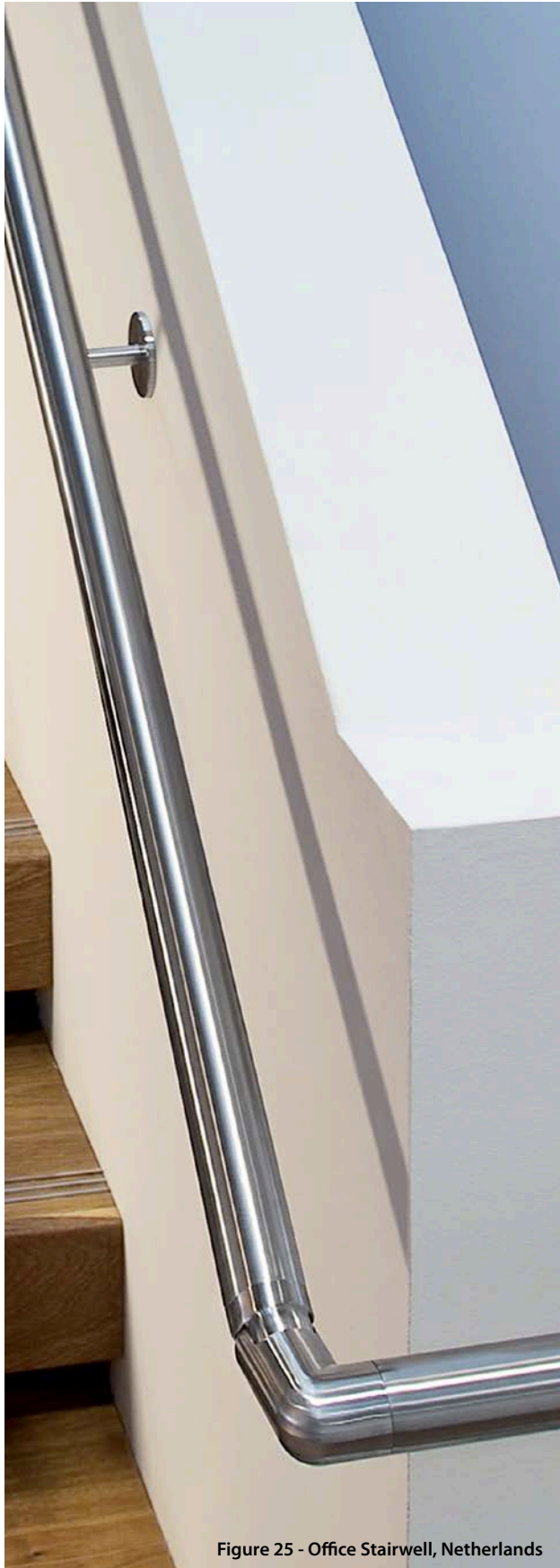


Figure 25 - Office Stairwell, Netherlands

Tubing and Fittings Modular Components for Unlimited Possibilities

Q-railing® tubing and fittings offer design and functionality allowing you to choose from a wide range of fittings to build and customize railings. Start with a range of tube in round, square or rectangular forms and build to suit your project needs with elbows, fittings and end caps for the finishing detail.

The modular systems work as complete solutions that can provide your project with a smooth, elegant finish or can be combined to create unlimited possibilities that will satisfy a broad spectrum of design preferences.

Features:

- A tighter tolerance than standard commercial tube creating virtually seamless joins with no color variation
- A versatile system with modular components that can be combined for contrasting looks
- Quality is assured with each tube section securely packaged to prevent damage

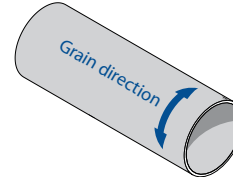
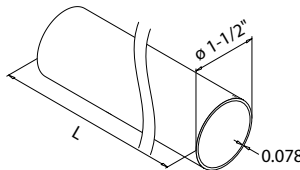
Product dimensions will have some variation due to the manufacturing process. Product dimensions should be checked prior to commencing installation. Do not scale dimensions from drawings.

Architectural Specifications

An architectural specification is available for download at bezdanQ-railing.com.

Tubing and Fittings

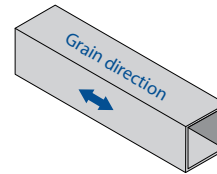
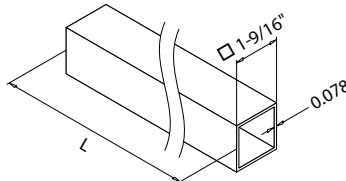
ROUND TUBE, STAINLESS STEEL



INDOOR OUTDOOR

Part #	Finish	Alloy	Diameter (ø)	Length (L)	Weight
13.0900.038.12	#4 Satin	304	1-1/2" x 0.078" (38.1mm x 2mm)	16.4' (5 meters)	21.20 lbs./length
14.0900.038.12	#4 Satin	316	1-1/2" x 0.078" (38.1mm x 2mm)	16.4' (5 meters)	21.20 lbs./length

SQUARE TUBE, STAINLESS STEEL

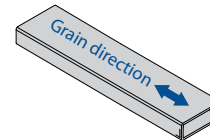
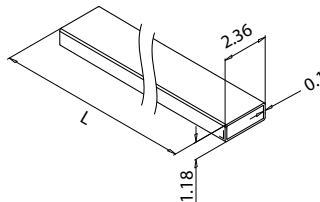


INDOOR OUTDOOR

Part #	Finish	Alloy	Size	Length (L)	Weight
13.4900.040.12	#4 Satin	304	□ 1-9/16" x 0.078" (40mm x 2mm)	16.4' (5 meters)	28.84 lbs./length
◆ 14.4900.040.12	#4 Satin	316	□ 1-9/16" x 0.078" (40mm x 2mm)	16.4' (5 meters)	28.84 lbs./length

Products marked with a ◆ are available on special order. Contact your Sales Representative for more information.

RECTANGULAR TUBE FOR POST, STAINLESS STEEL

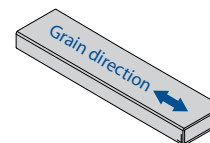
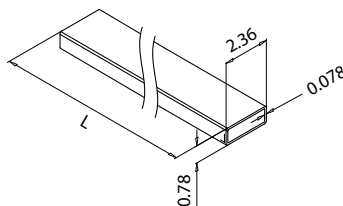


INDOOR OUTDOOR

Part #	Finish	Alloy	Size	Length (L)	Weight
◆ 14.4900.063.12	#4 Satin	316	□ 2.36" x 1.18" x 0.1" (60mm x 30mm x 2.6mm)	16.4' (5 meters)	41.47 lbs. ea.

Products marked with a ◆ are available on special order. Contact your Sales Representative for more information.

RECTANGULAR TUBE FOR HANDRAIL, STAINLESS STEEL



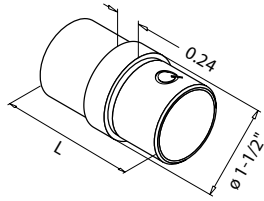
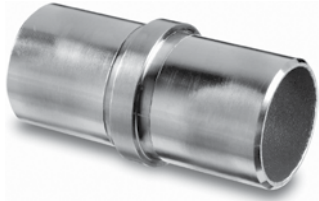
INDOOR OUTDOOR

Part #	Finish	Alloy	Size	Length (L)	Weight
14.4900.262.12	#4 Satin	316	□ 2.36" x 0.78" x 0.078" (60mm x 20mm x 2mm)	16.4' (5 meters)	28.50 lbs./length
◆ 14.4925.262.12	#4 Satin	316	□ 2.36" x 0.78" x 0.078" (60mm x 20mm x 2mm)	8.2' (2.5 meters)	14.25 lbs./length

Products marked with a ◆ are available on special order. Contact your Sales Representative for more information.

Tubing and Fittings

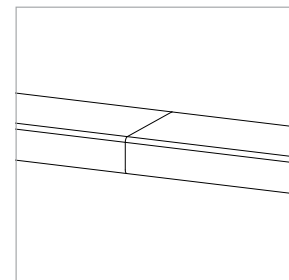
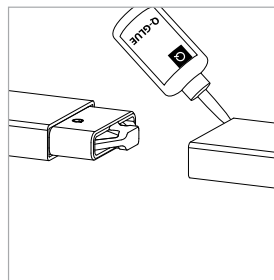
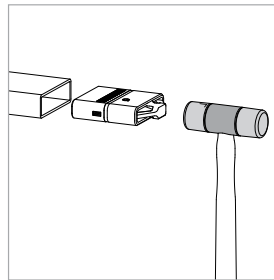
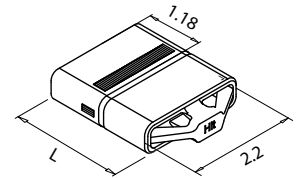
INTERNAL CONNECTOR, ROUND



INDOOR OUTDOOR

Part #	13.0790.038.12	14.0790.038.12
Finish	#4 Satin	#4 Satin
Alloy	304	316
Diameter (ø)	1-1/2" x 0.078" (38.1mm x 2mm)	1-1/2" x 0.078" (38.1mm x 2mm)
Length (L)	2-5/8" (67mm)	2-5/8" (67mm)
Weight	0.28 lbs. ea	0.30 lbs. ea

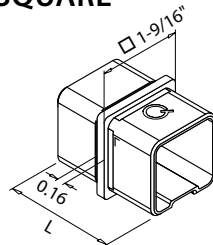
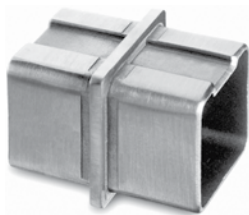
INTERNAL CONNECTOR, RECTANGULAR



INDOOR OUTDOOR

Part #	14.5792.262.00
Finish	#4 Satin
Alloy	316
Size	2.36" x 0.78" x 0.078" (60mm x 20mm x 2mm)
Length (L)	2.36" (60mm)
Weight	0.43 lbs. ea

INTERNAL CONNECTOR, SQUARE



INDOOR OUTDOOR

Part #	13.4790.040.12	◆ 14.4790.040.12
Finish	#4 Satin	#4 Satin
Alloy	304	316
Size	□ 1-9/16" x 0.078" (40mm x 2mm)	□ 1-9/16" x 0.078" (40mm x 2mm)
Length (L)	2-1/8" (54mm)	2-1/8" (54mm)
Weight	0.31 lbs. ea	0.31 lbs. ea

Products marked with a ◆ are available on special order. Contact your Sales Representative for more information.



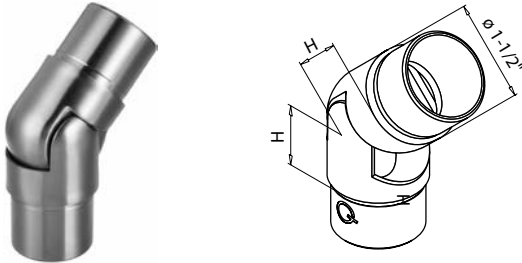
Q-glue®

A small amount of Q-glue® applied evenly around the inside of the tube is accommodated by a reservoir in the connector fitting. See page 70.

Tip! Use a brass brush to score the fitting and activate the Q-glue. The Q-glue will dry very fast. Hand-fixed in approximately 15-30 minutes and full strength in 3-4 hours.

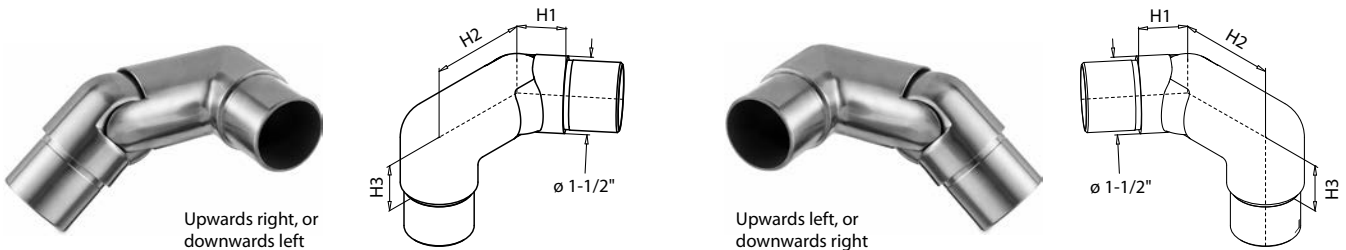
Tubing and Fittings

ELBOW, ADJUSTABLE, 0° - 70°



Part #	Finish	Alloy	Diameter (ø)	Height (H)	INDOOR	OUTDOOR
					Weight	
13.0312.038.12	#4 Satin	304	1-1/2" x 0.078" (38.1mm x 2mm)	1-1/8" (28.58mm)		0.73 lbs. ea
14.0312.038.12	#4 Satin	316	1-1/2" x 0.078" (38.1mm x 2mm)	1-1/8" (28.58mm)		0.73 lbs. ea

TWO-WAY ELBOW, ADJUSTABLE, 0° - 70°



Part #	Finish	Alloy	Diameter (ø)	Height 1 (H1)	Height 2 (H2)	Height 3 (H3)	INDOOR
							Weight
13.0317.038.12	#4 Satin	304	1-1/2" x 0.078" (38.1mm x 2mm)	1-1/16" (27mm)	2-7/16" (60mm)	1-3/16" (30mm)	1.34 lbs. ea
13.0318.038.12	#4 Satin	304	1-1/2" x 0.078" (38.1mm x 2mm)	1-1/16" (27mm)	2-7/16" (60mm)	1-3/16" (30mm)	1.34 lbs. ea

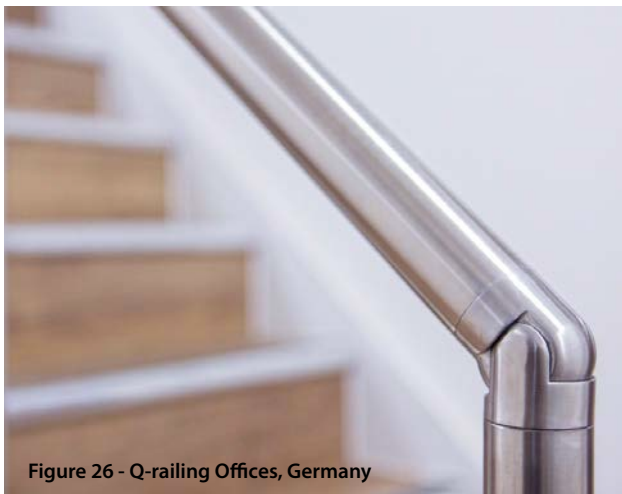


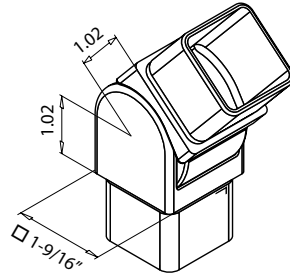
Figure 26 - Q-railing Offices, Germany



Figure 27 - Potteries Museum, England

Tubing and Fittings

ELBOW, ADJUSTABLE, 0° - 70°, SQUARE

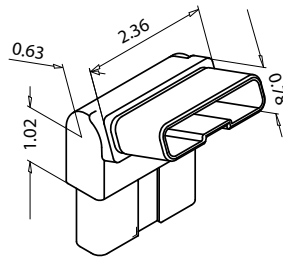


INDOOR OUTDOOR

Part #	Finish	Alloy	Size	Height (H)	Weight
13.4312.040.12	#4 Satin	304	□ 1-9/16" x 0.078" (40mm x 2mm)	1.02" (26mm)	0.97 lbs. ea
◆ 14.4312.040.12	#4 Satin	316	□ 1-9/16" x 0.078" (40mm x 2mm)	1.02" (26mm)	0.94 lbs. ea

Products marked with a ◆ are available on special order. Contact your Sales Representative for more information.

ELBOW, ADJUSTABLE, 0° - 70°, RECTANGULAR



INDOOR OUTDOOR

Part #	Finish	Alloy	Size	Height (H)	Weight
14.4312.262.12	#4 Satin	316	□ 2.36" x 0.78" x 0.078" (60mm x 20mm x 2mm)	1-3/16" (30mm)	0.78 lbs. ea



Industry Leading Accuracy

Q-railing® tubing ensures a more accurate fit between tube and fittings, guaranteeing efficient, quality installations, saving time and money. Q-railing tubing has a tighter tolerance than standard commercial tube creating virtually seamless joints with no color variation. Each tube section is securely packaged to prevent damage and guarantee the quality.

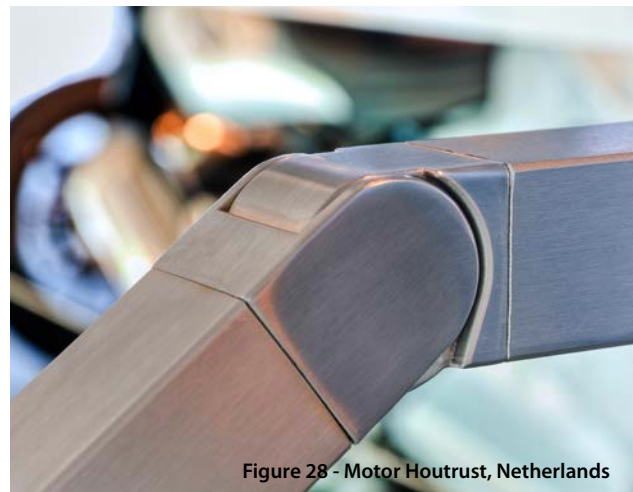
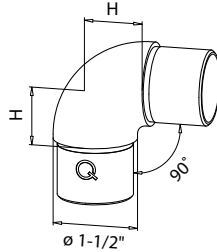


Figure 28 - Motor Houtrust, Netherlands

Tubing and Fittings

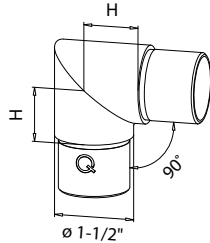
ELBOW, 90°



INDOOR OUTDOOR

Part #	Finish	Alloy	Diameter (ø)	Height (H)	Weight
13.0305.038.12	#4 Satin	304	1-1/2" x 0.078" (38.1mm x 2mm)	1-3/16" (30mm)	0.68 lbs. ea
14.0305.038.12	#4 Satin	316	1-1/2" x 0.078" (38.1mm x 2mm)	1-3/16" (30mm)	0.68 lbs. ea

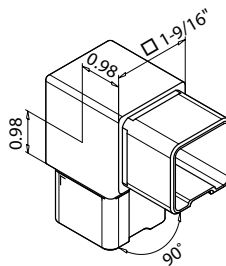
ELBOW, 90°



INDOOR OUTDOOR

Part #	Finish	Alloy	Diameter (ø)	Height (H)	Weight
13.0301.038.12	#4 Satin	304	1-1/2" x 0.078" (38.1mm x 2mm)	1-3/16" (30mm)	0.73 lbs. ea
14.0301.038.12	#4 Satin	316	1-1/2" x 0.078" (38.1mm x 2mm)	1-3/16" (30mm)	0.75 lbs. ea

ELBOW, 90°, SQUARE



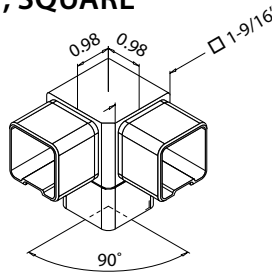
INDOOR OUTDOOR

Part #	Finish	Alloy	Size	Height (H)	Weight
13.4301.040.12	#4 Satin	304	□ 1-9/16" x 0.078" (40mm x 2mm)	0.98" (25mm)	1.23 lbs. ea
◆ 14.4301.040.12	#4 Satin	316	□ 1-9/16" x 0.078" (40mm x 2mm)	0.98" (25mm)	0.87 lbs. ea

Products marked with a ◆ are available on special order. Contact your Sales Representative for more information.

Tubing and Fittings

TWO-WAY CORNER ELBOW, 90°, SQUARE

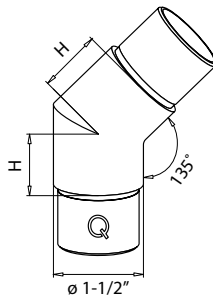


INDOOR OUTDOOR

Part #	Finish	Alloy	Size	Height (H)	Weight
13.4304.040.12	#4 Satin	304	□ 1-9/16" x 0.078" (40mm x 2mm)	0.98" (25mm)	1.00 lbs. ea
◆ 14.4304.040.12	#4 Satin	316	□ 1-9/16" x 0.078" (40mm x 2mm)	0.98" (25mm)	0.98 lbs. ea

Products marked with a ◆ are available on special order. Contact your Sales Representative for more information.

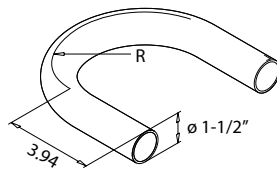
ELBOW, 135°



INDOOR OUTDOOR

Part #	Finish	Alloy	Diameter (ø)	Height (H)	Weight
13.0300.038.12	#4 Satin	304	1-1/2" x 0.078" (38.1mm x 2mm)	1-3/16" (30mm)	0.77 lbs. ea
14.0300.038.12	#4 Satin	316	1-1/2" x 0.078" (38.1mm x 2mm)	1-3/16" (30mm)	0.77 lbs. ea

ELBOW, 180°

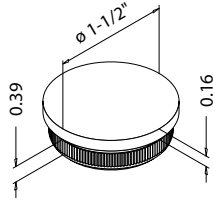


INDOOR OUTDOOR

Part #	Finish	Alloy	Diameter (ø)	Radius (R)	Weight
13.0906.038.12	#4 Satin	304	1-1/2" x 0.078" (38.1mm x 2mm)	3-11/32" (85mm)	2.74 lbs. ea
14.0906.038.12	#4 Satin	316	1-1/2" x 0.078" (38.1mm x 2mm)	3-11/32" (85mm)	2.74 lbs. ea

Tubing and Fittings

CAP, ROUND

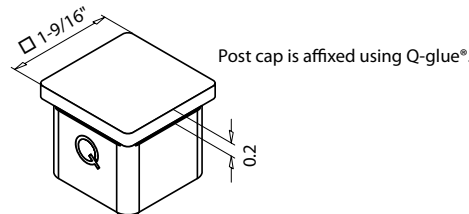


Easy Hit® fittings allow for easy installation without the use of epoxy. The grooves on the outside of the fitting allow for a snug compression fit when tapped into place.

INDOOR OUTDOOR

Part #	Finish	Alloy	Diameter (ø)	Weight
13.5732.038.12	#4 Satin	304	1-1/2" x 0.078" (38.1mm x 2mm)	0.15 lbs. ea
14.5732.038.12	#4 Satin	316	1-1/2" x 0.078" (38.1mm x 2mm)	0.15 lbs. ea

CAP, SQUARE



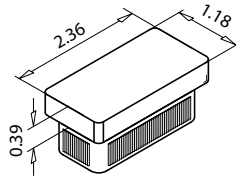
INDOOR OUTDOOR

Part #	Finish	Alloy	Size	Weight
13.4732.040.12	#4 Satin	304	□ 1-9/16" x 0.078" (38.1mm x 2mm)	0.20 lbs. ea
◆ 14.4732.040.12	#4 Satin	316	□ 1-9/16" x 0.078" (38.1mm x 2mm)	0.22 lbs. ea

Products marked with a ◆ are available on special order. Contact your Sales Representative for more information.

CAP, RECTANGULAR

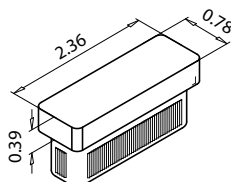
This cap is used for tubing for posts. See pages 50, 51 and 54.



INDOOR OUTDOOR

Part #	Finish	Alloy	Size	Weight
14.5728.063.12	#4 Satin	316	□ 2.36" x 1.18" x 0.1" (60mm x 30mm x 2.6mm)	0.26 lbs. ea

CAP, RECTANGULAR

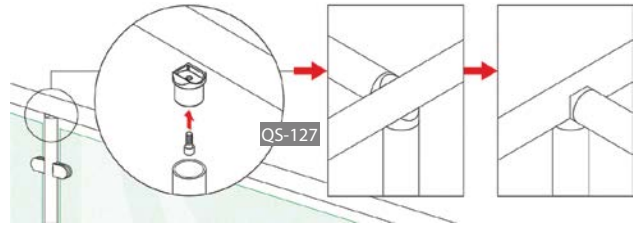
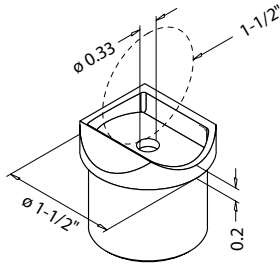


INDOOR OUTDOOR

Part #	Finish	Alloy	Size	Weight
14.5727.262.12	#4 Satin	316	□ 2.36" x 0.78" x 0.078" (60mm x 20mm x 2mm)	0.17 lbs. ea

Tubing and Fittings

HANDRAIL ADAPTER, ROUND

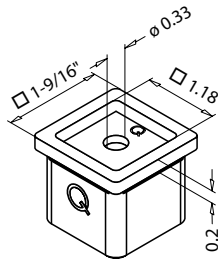


Suggested Fasteners: QS-127

INDOOR OUTDOOR

Part #	Finish	Alloy	Diameter (ø)	Weight
13.0722.038.12	#4 Satin	304	1-1/2" x 0.078" (38.1mm x 2mm)	0.21 lbs. ea
14.0722.038.12	#4 Satin	316	1-1/2" x 0.078" (38.1mm x 2mm)	0.22 lbs. ea

HANDRAIL ADAPTER, SQUARE

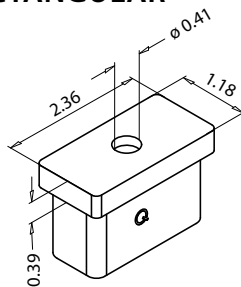


Suggested Fasteners: QS-127

INDOOR

Part #	Finish	Alloy	Size	Weight
13.4727.000.12	#4 Satin	304	□ 1-9/16" x 0.078" (40mm x 2mm)	0.26 lbs. ea

HANDRAIL ADAPTER, RECTANGULAR



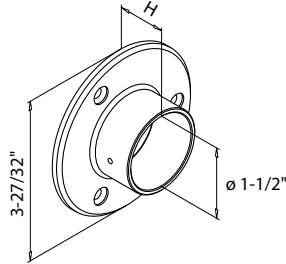
Suggested Fasteners: QS-127

INDOOR OUTDOOR

Part #	Finish	Alloy	Size	Weight
14.4725.063.12	#4 Satin	316	□ 2.36" x 1.18" x 0.1" (60mm x 30mm x 2.6mm)	0.51 lbs. ea

Tubing and Fittings

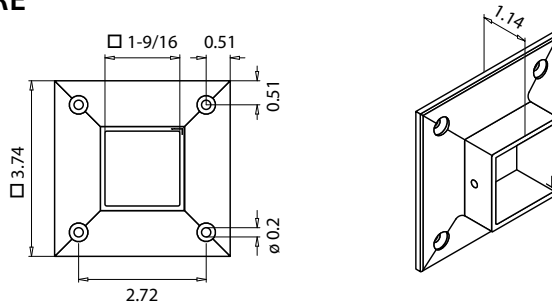
WALL FLANGE, ROUND



Suggested Fasteners: QS-5 (for Alloy 304); QS-6 (for Alloy 316)

Part #	Finish	Alloy	Diameter (ø)	Height (H)	INDOOR	OUTDOOR
					Weight	Weight
13.0505.038.12	#4 Satin	304	1-1/2" x 0.078" (38.1mm x 2mm)	1-3/16" (30mm)	0.57 lbs. ea	
14.0505.038.12	#4 Satin	316	1-1/2" x 0.078" (38.1mm x 2mm)	1-3/16" (30mm)	0.52 lbs. ea	

WALL FLANGE, SQUARE



Suggested Fasteners: QS-5 (for Alloy 304); QS-6 (for Alloy 316)

Part #	Finish	Alloy	Size	Height	INDOOR	OUTDOOR
					Weight	Weight
13.4505.040.12	#4 Satin	304	□ 1-9/16" x 0.078" (40mm x 2mm)	1.14" (29mm)	0.93 lbs. ea	
◆ 14.4505.040.12	#4 Satin	316	□ 1-9/16" x 0.078" (40mm x 2mm)	1.14" (29mm)	0.77 lbs. ea	

Products marked with a ◆ are available on special order. Contact your Sales Representative for more information.



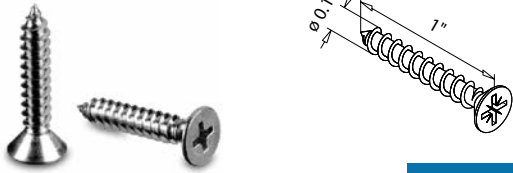
Figure 29 - Brackenrigg Inn, England

Q-railing®

Fasteners

WOOD SCREW

QS-5 (indoor)
QS-6 (outdoor)

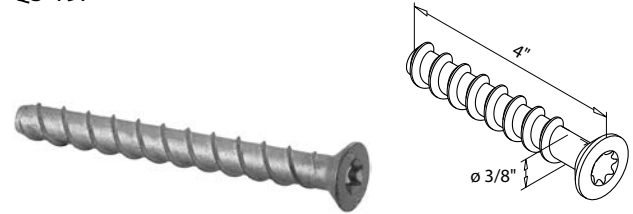


INDOOR OUTDOOR

Part #	Name	Box Lot	Weight
93.0220.525.13	QS-5	50	1.10 lbs./box
93.0220.525.14	QS-6	50	1.50 lbs./box

CONCRETE SCREW

QS-197

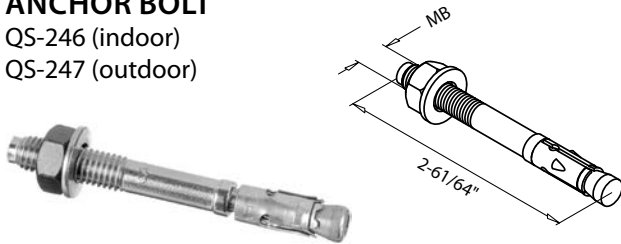


INDOOR OUTDOOR

Part #	Name	Box Lot	Weight
19.4311.384.15	QS-197	50	7.64 lbs./box

ANCHOR BOLT

QS-246 (indoor)
QS-247 (outdoor)

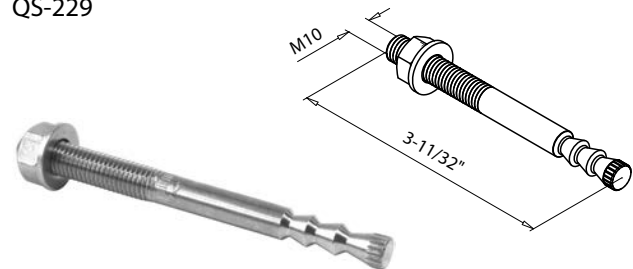


INDOOR OUTDOOR

Part #	Name	Box Lot	Weight
19.4108.121.15	QS-246	10	0.73 lbs./box
19.4108.121.14	QS-247	10	0.73 lbs./box

ANCHOR

QS-229

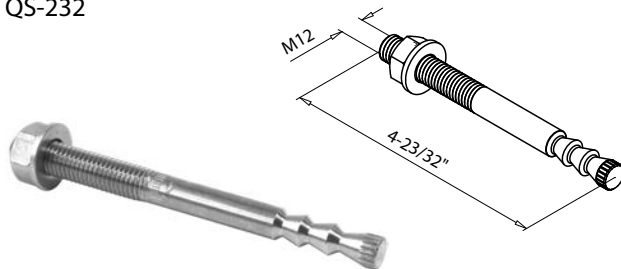


INDOOR

Part #	Name	Box Lot	Weight
19.4010.110.15	QS-229	10	1.48 lbs./box

ANCHOR

QS-232

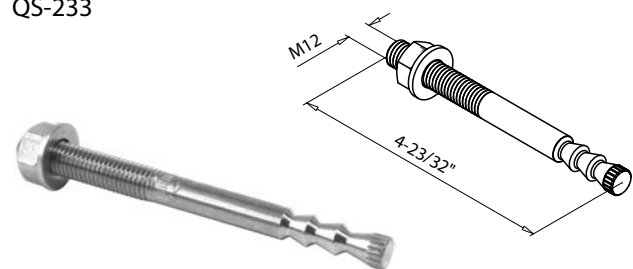


INDOOR

Part #	Name	Box Lot	Weight
19.4012.125.15	QS-232	10	2.07 lbs./box

ANCHOR

QS-233



INDOOR OUTDOOR

Part #	Name	Box Lot	Weight
◆ 19.4012.125.14	QS-233	10	2.07 lbs./box

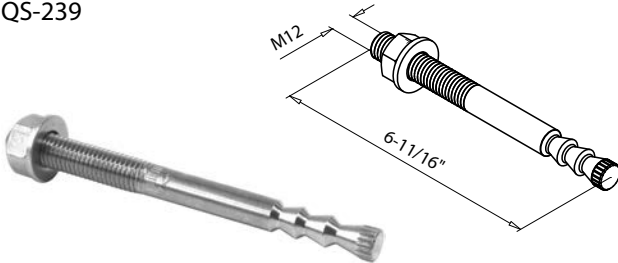
Products marked with a ◆ are available on special order. Contact your Sales Representative for more information.

Q-railing®

Fasteners

ANCHOR

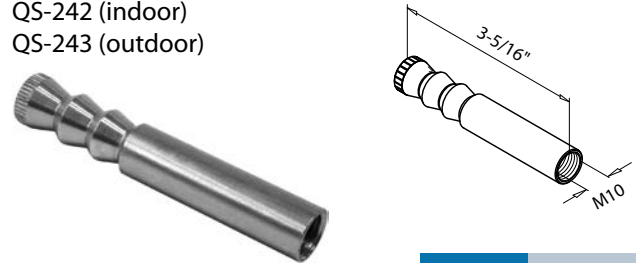
QS-239



		INDOOR	OUTDOOR
Part #	Name	Box Lot	Weight
19.4012.225.14	QS-239	10	4.26 lbs./box

EXPANSION ANCHOR

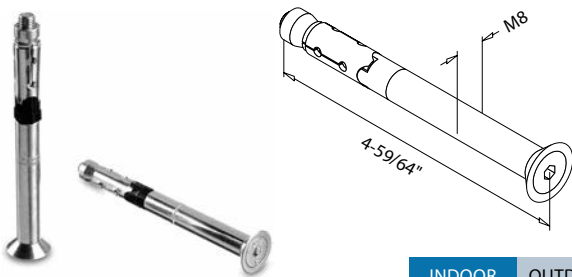
QS-242 (indoor)
QS-243 (outdoor)



		INDOOR	OUTDOOR
Part #	Name	Box Lot	Weight
19.4510.123.15	QS-242	10	1.52 lbs./box
19.4510.123.14	QS-243	10	1.52 lbs./box

ANCHOR

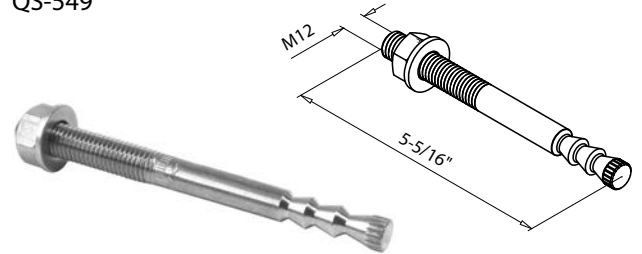
QS-519



		INDOOR	OUTDOOR
Part #	Name	Box Lot	Weight
19.4212.150.14	QS-519	25	4.67 lbs./box

ANCHOR

QS-549



		INDOOR	OUTDOOR
Part #	Name	Box Lot	Weight
19.4012.140.14	QS-549	10	2.30 lbs./box

INSIDE THREAD ANCHOR BOLT

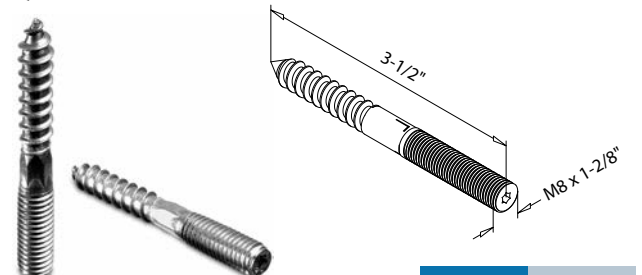
QS-559



		INDOOR	OUTDOOR
Part #	Name	Box Lot	Weight
19.4512.127.14	QS-559	10	4.00 lbs./box

LAG

QS-86



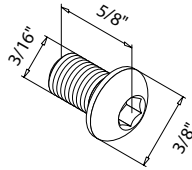
		INDOOR	OUTDOOR
Part #	Name	Box Lot	Weight
95.0100.890.140	QS-86	10	0.50 lbs./box
95.0100.890.14	QS-86	50	2.31 lbs./box

Q-railing®

Fasteners

MACHINE SCREW

QS-111

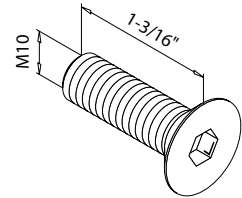


INDOOR OUTDOOR

Part #	Name	Box Lot	Weight
94.0511.516.14	QS-111	50	0.33 lbs./box

MACHINE SCREW

QS-532 (indoor)
QS-533 (outdoor)

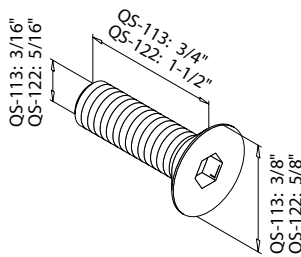


INDOOR OUTDOOR

Part #	Name	Box Lot	Weight
95.0671.030.13	QS-532	50	2.76 lbs./box
95.0671.030.14	QS-533	50	2.76 lbs./box

MACHINE SCREW

QS-113, QS-122

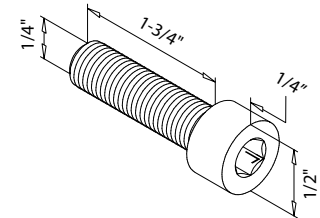


INDOOR OUTDOOR

Part #	Name	Box Lot	Weight
94.0670.520.14	QS-113	50	0.44 lbs./box
94.0670.840.14	QS-122	50	1.54 lbs./box

HEXAGON SOCKET HEAD MACHINE SCREW

QS-154, QS-170

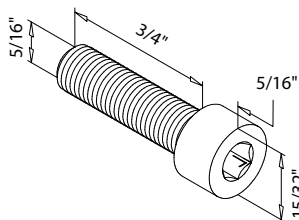


INDOOR

Part #	Name	Box Lot	Weight
94.0680.645.13	QS-154	50	0.77 lbs./box
94.0680.645.14	QS-170	50	1.00 lbs./box

HEXAGON SOCKET HEAD MACHINE SCREW

QS-127

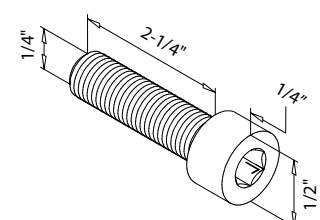


INDOOR OUTDOOR

Part #	Name	Box Lot	Weight
94.0680.820.140	QS-127	12	0.32 lbs./box
94.0680.820.14	QS-127	50	1.32 lbs./box

HEXAGON SOCKET HEAD MACHINE SCREW

QS-125, QS-171



INDOOR

Part #	Name	Box Lot	Weight
94.0680.660.13	QS-125	50	1.43 lbs./box
94.0680.660.14	QS-171	50	1.43 lbs./box

Q-RAILING®

bezdanQ-railing.com



Q-railing®

Accessories

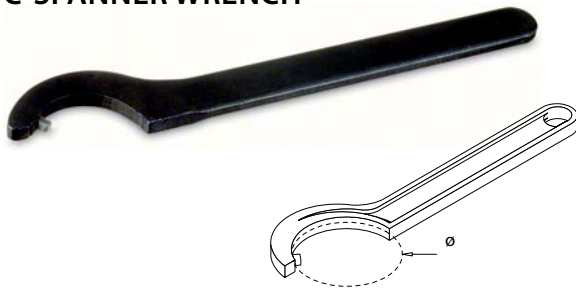
CUTTING WHEEL



Cut faster, freer and cooler, with less power than standard thin cut-off wheels. Heavily reinforced for extra safety yet very flexible and resilient to resist twisting and bending. Gives a true and straight cut every time.

Part #	Weight
Cutting Wheel	0.07 lbs. ea

C-SPANNER WRENCH



Tighten glass adapters and posts for open risers with the C-spanner wrench.

Part #	Name	Diameter ϕ	Weight
19.0702.050.00	Q-32	1-3/4" to 2"	0.35 lbs. ea
◆ 19.0702.060.00	Q-33	2-1/4" to 2-1/2"	0.57 lbs. ea
19.0702.070.00	Q-51	2-2/3" to 3"	0.70 lbs. ea

Products marked with a ◆ are available on special order. Contact your Sales Representative for more information.

Q-SEAL



Glass silicone, color black with spray nozzle included.

Part #	Volume	Weight
Q-seal	10.5 fl. oz.	0.85 lbs. ea

Q-GLUE®



Stainless steel high-strength fixative.

Tip! Use a brass brush to score the fitting and activate the Q-glue. Q-Glue will dry full strength in 3-4 hours. Load tests available upon request.

Gluing connections per bottle:
(1.69 fl. oz.) 1-1/2" tube = 60 2" tube = 50

Part #	Volume	Weight
Q-glue	1.69 fl.oz.	0.17 lbs. ea

Watch an installation video at bezdanQ-railing.com.

Q-ULTRA-CLEAN



Chemical stainless steel cleaner should be applied immediately after installation to remove heavy dirt and rust stains. Q-ultra-clean rebuilds and strengthens the passive layer of the stainless steel. Spray directly onto the stainless steel and wash away with water after 5-10 minutes. No scrubbing necessary.

Part #	Volume	Weight
Q-ultra-clean	16.9 fl.oz.	1.68 lbs. ea

Q-CLEANER



Stainless steel protective spray for regular maintenance. Removes dirt, restores shine, and leaves a protective barrier on the metal.

Part #	Volume	Weight
Q-cleaner	10.1 fl. oz.	0.85 lbs. ea

SCOTCH-BRITE™ PADS



Scotch Brite™/3M™ abrasive pads for cleaning, finishing and polishing, 10 pieces.

Precautions should be taken when using this abrasive product.

Part #	Weight
19.0640.000.00	0.05 lbs. ea

Q-railing®

Accessories

HEXAGON SCREW DRIVER



A key tool for the single adapter, fascia mount. Use the hexagon screw driver to make adjustments while glass panels are mounted.

Part #	Name	Weight
19.0701.014.00	Q-14	0.25 lbs. ea

HEXAGON SCREW DRIVER SET



A 7 piece set which fastens most every Q-railing® fitting.

Part #	Weight
19.0701.000.00	2.50 lbs. ea

DOUBLE-SIDED ADHESIVE TAPE

Q-52



Part #	Name	INDOOR OUTDOOR	
		Length (L)	Weight
19.1350.018.00	Q-52	216' (65,837mm)	1.10 lbs. ea

THE CARE KIT BUNDLE

This conveniently bundled care kit will take you from installation through to regular care and maintenance.



Chemical stainless steel cleaner to remove heavy dirt and rust stains immediately after installation. Q-ultra-clean rebuilds and strengthens the passive layer of the stainless steel. Spray directly onto the stainless steel and wash away with water after 5-10 minutes. No scrubbing necessary. 16.9 fl.oz.



Stainless steel protective spray for regular maintenance. Removes dirt, restores shine, and leaves a protective barrier on the metal. 10.1 fl. oz.



Scotch Brite™/3M™ abrasive pads for cleaning, finishing and polishing, 10 pieces.

Precautions should be taken when using this abrasive product.

Part #	Weight
19.0000.000.00	2.58 lbs. per kit

MULTI-TOOL

Q-71



Part #	Name	Weight
19.6920.000.00	Q-71	1.33 lbs. ea

Q-railing®

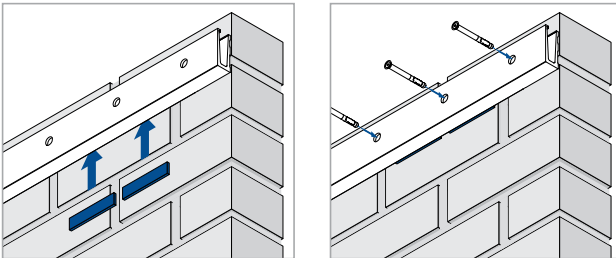
Accessories

MOUNTING PLATES

Q-62



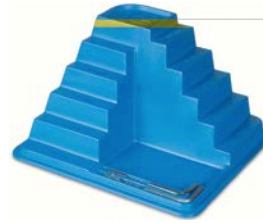
Mounting plates in 1mm, 2mm, 3mm, 4mm and 5mm sizes. 520 pieces.



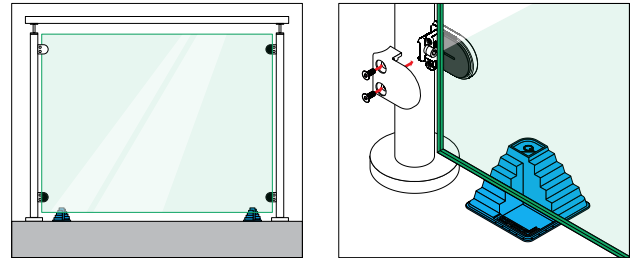
Create perfectly even surfaces with convenient variable thickness shims for maximum flexibility. Short and long lengths of each thickness saves time cutting as compared to strips.

Part #	Name	INDOOR		OUTDOOR	
		Box Lot	Weight	Box Lot	Weight
19.6921.000.00	Q-62	1 (520 pcs.)	6.31 lbs.		

GLASS FITTING AID



Simplify glass installation by positioning a fitting aid beneath glass infill at each end. Glass fitting aid sold as set of two. Allen (hex) keys included for installing glass clips.



Part #	Weight
19.0715.000.00	1.81 lbs./pair

AIR PUMP

Q-97



Part #	Name	Weight
◆ 19.4095.103.00	Q-97	0.65 lbs. ea

Products marked with a ◆ are available on special order. Contact your Sales Representative for more information.