



# Owners Manual

## KM Series Teich-Aire™

### Rocking Piston Oil-less Compressors



#### Contents

Important Product Use Information	..... pg2
Installation Requirements	..... pg2
Plumbing	..... pg2
Electrical	..... pg3
Operation	..... pg4
Maintenance	..... pg4
Troubleshooting	..... pg5
Warranty	..... pg6

Kasco Marine, Inc.  
800 Deere Rd.  
Prescott, WI 54021  
U.S.A.  
PH 00+1+715+262+4488  
FAX 00+1+715+262+4487  
sales@kascomarine.com  
www.kascomarine.com  
www.teich-aire.com

Thank you for purchasing this Teich-Aire compressor. It is manufactured to the highest standards using quality materials. Please follow all recommended maintenance, operational and safety instructions and you will receive years of trouble free service.

**IMPORTANT: PLEASE READ THIS MANUAL AND SAVE FOR FUTURE REFERENCE.**

To facilitate future spare parts ordering or technical assistance, please copy the details from the compressor nameplate onto this page and save for future reference.

Rocking Piston Compressor					
Model:			S/N:		
Air Flow	cfm		Max Pressure	psi	
Voltage	V	Hz	Amp		
Phase	Single	Kw	RPM		

**Important Product Use Information**

- To avoid accident, do not use compressor in any way other than described in this manual.
- Pump only clean, dry air.
- Operate at 32°F – 104° (0°C – 40°C)
- Protect unit from dirt and moisture
- Do not pump flammable or explosive gases or use in an environment that contains such gases.
- Protect all surrounding items from exhaust air. Exhaust air can become very hot.
- Corrosive gases and particulate material will damage unit. Water vapor, oil-based contaminants or other liquids must be filtered out.
- This pump is oil-less and requires no lubrication.

**Installation Requirements**

- Correct installation is your responsibility. Make sure you have the proper installation conditions and that installation clearances do not block air flow.
- Compressor needs to be installed in a clean, dry location.
- Compressor needs to be protected from dirt and moisture and from the outdoor environment such

as rain, snow and flooding.

- Ambient air temperature (temperature readings taken 4” away from any surface of the compressor) must not exceed 104°F (40°C).
- Adequate ventilation and cooling air (flow across the compressor) must be provided to keep the compressor from overheating and causing premature damage.
- Mounting the compressor to a stable, rigid operating surface and using shock mounts will reduce noise and vibration.
- Kasco Marine offers a simple, durable bracket accessory that will allow you to easily mount the compressor to a wall, floor or bench. Please contact your local Kasco distributor and ask for the Universal Compressor Mount Kit Model 771160.

**! WARNING**




**Electrical Shock Hazard**

**Disconnect electrical power at the circuit breaker or fuse box before installing this product.**

**Install this product where it will not come into contact with water or other liquids.**

**Install this product where it will be weather protected.**

**Electrically ground this product.**

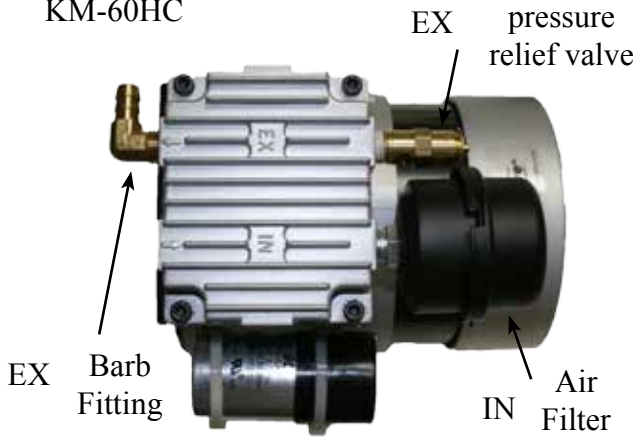
**Failure to follow these instructions can result in death, fire or electrical shock.**

**Plumbing**

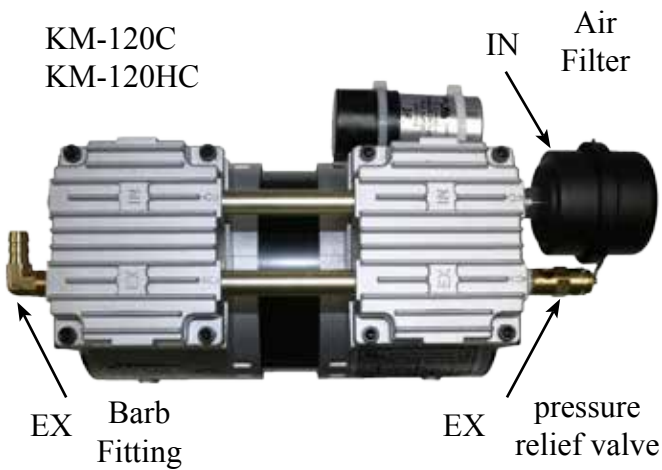
Remove plugs as necessary from the IN and OUT ports. Connect with pipe and fittings that are the same size or larger than the products threaded ports. Be sure to connect the intake and exhaust plumbing to the correct inlet and outlet ports. Ports will not support plumbing.

Install air filter in one inlet port. It is recommended to install a pressure relief valve in an outlet port to bleed off excess pressure in case of a blocked line. Check valves may be required to prevent back flow through the compressor.

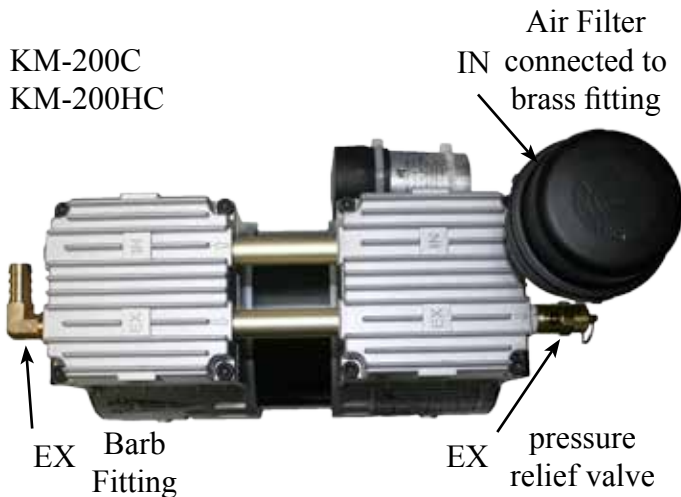
KM-60C  
KM-60HC



KM-120C  
KM-120HC

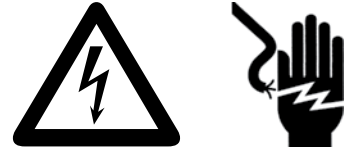


KM-200C  
KM-200HC



## Electrical

**! WARNING**



### Electrical Shock Hazard

**This product must be properly grounded.**

**Do not modify the plug provided. If it will not fit the outlet, have the proper outlet installed by a qualified electrician.**

**If repair or replacement of the cord or plug is necessary, do not connect the grounding wire to either flat blade terminal. The wire with insulation that is green or green with yellow stripes is the grounding wire.**

**Check the condition of the power supply wiring. Do not permanently connect this product to wiring that is not in good condition or is inadequate for the requirements of this product.**

**Failure to follow these instructions can result in death, fire or electrical shock.**

Make sure that the power supply voltage agrees with that listed on the product nameplate. All cords with plugs must be plugged into an outlet that is properly installed and grounded in accordance with all local codes and ordinances. Hard wired installations must be connected to a grounded, metallic, permanent wiring system or equipment grounding terminal or lead on the product.

It is your responsibility to contact a qualified electrician and assure that the electrical installation is adequate and in conformance with all national and local codes and ordinances. The metal capacitor located on the side of the compressor must be grounded.

## Operation

### **WARNING**

#### **Injury Hazard**

Install proper safety guards as needed.

Keep fingers and objects away from openings and rotating parts.

When provided, motor terminal covers must be in place for safe operation.

Product surfaces become very hot during operation, allow product surfaces to cool before handling.

Air stream from product may contain solid or liquid material that can result in eye or skin damage, wear proper eye protection.

Wear hearing protection. Sound level from motor may exceed 70 dBA.

Failure to follow these instructions can result in burns, eye injury or other serious injury.

It is your responsibility to operate this compressor at recommended pressures and permissible ambient temperatures. Do not start against a vacuum or pressure load.

If motor fails to start or slows down significantly under load, shut off and disconnect from power supply. Check that the supply voltage is correct and verify motor is turning in proper direction. Check plug, cord and switch for damage. **WARNING:** Thermal protection switch may have tripped, the motor can restart automatically after cooling.

## Maintenance

### **WARNING**



#### **Electrical Shock Hazard**

Disconnect electrical power supply cord before performing maintenance on this product.

If product is hard wired into system, disconnect electrical power at the circuit breaker or fuse box before performing maintenance on this product.

Failure to follow these instructions can result in death, fire or electrical shock.

### **WARNING**

#### **Injury Hazard**

Product surfaces become very hot during operation, allow product surfaces to cool before handling.

Air stream from product may contain solid or liquid material that can result in eye or skin damage, wear proper eye protection.

Clean this product in a well ventilated area.

Failure to follow these instructions can result in burns, eye injury or other serious injury.

It is your responsibility to:

- Regularly inspect and make necessary repairs to compressor in order to maintain proper operations.
- Make sure that pressure is released from product before starting maintenance.

This compressor is oil-less and requires NO lubrication.

Check intake filter after first 500 hours of operation.

Clean filter and determine how frequently filters should be checked during future operation, keeping in mind changes of environment during different seasons (heavy pollen in spring or increased dust particulate in dry summer). Kasco recommends checking the filter every month. Clean or replace filter elements as necessary. This one procedure will help assure the product's performance and service life. Failure to maintain clean air filters elements will lead to clogging which will cause excessive heat and premature failure of the compressor.

- Disconnect electrical power supply to unit.
- Vent all air lines.
- Remove filter cover.
- Remove and replace filter element as necessary.
- Replacement filter elements are readily available. Please contact your local Kasco distributor and ask for the Replacement Air Filter Element Part#771014 for KM-60 or KM-120 Models, or Part#771018 for KM-200 Models
- Reinstall filter element and cover.

## Troubleshooting

Low Pressure	High Pressure	Pump Overheat	Will not start	Excess Noise	Reason and solution for problem
•		•	•		Filter is dirty. Clean or replace.
•	•	•	•		Muffler is dirty. Clean or replace.
•					Valves are dirty or valves are bent. Clean or replace.
	•	•	•		Relief valve is set too high. Inspect and adjust.
•					Relief valve is set too low. Inspect and adjust.
•	•	•	•		Plugged pressure line. Inspect and repair.
		•	•		Low voltage, will not start. Check power supply.
		•	•	•	Incorrect voltage. Check power supply.
•				•	Worn cup/piston hitting cylinder. Replace.
		•		•	Cylinder misadjustment. Realign.
•			•		Leaky hose or check valve. Replace.
•		•	•	•	Dirt or liquid on top of piston. Inspect and clean.
•		•	•	•	Motor not wired correctly. Check wiring diagram/line voltage.
•				•	Blown head gasket. Replace.

## Warranty

Warranty Period: 2 years

Kasco® Marine, Inc. warrants this Teich-Aire™ compressor to be free from defects in material or workmanship under normal use and service. The Kasco Marine, Inc. obligation under this warranty is limited to replacing or repairing free of charge any defective part within the warranty period. Customer shall pay shipping charges for returning the unit to Kasco or an Authorized Repair Center.

THIS WARRANTY IS IN LIEU OF ANY OTHER WARRANTIES, EXPRESSED OR IMPLIED, AND ANY OTHER OBLIGATION OR LIABILITY WHATEVER ON THE PART OF KASCO MARINE, INC. AND IN NO EVENT SHALL KASCO MARINE, INC. BE LIABLE FOR ANY SPECIAL OR CONSEQUENTIAL DAMAGES.

Warranty is void if:

- The compressor is not maintained properly according to the Maintenance Recommendations supplied in this Owners Manual.
- The compressor is damaged by unauthorized tampering.

Warranty Claim Procedure:

The best method for establishing warranty period is by the original receipt. Also, register the compressor online at: [www.kascomarine.com](http://www.kascomarine.com).

Once the warranty coverage has been established, the unit may be sent to any Kasco Authorized Repair Center for evaluation and repair. Please call Kasco Marine at 715-262-4488 prior to shipping to receive any updated information and/or Repair Form, then ship to:

Kasco Marine, Inc.  
800 Deere Rd.  
Prescott, WI 54021  
Attn: Repairs

Or call Kasco Marine at 715-262-4488 to locate your nearest Authorized Repair Center. You can also email Kasco at [returns@kascomarine.com](mailto:returns@kascomarine.com).

Please include the Repair Form received from Kasco Marine or your local distributor with the shipment. If no Repair Form is available, include your name and

physical address for return delivery of the repaired unit and a daytime phone number and/or e-mail address for correspondence regarding the warranty claim.

Any expedited shipping method for the return of the unit is at the customer's expense. Kasco Marine will return units repaired under warranty at our expense via ground freight within the continental United States.

Other Repairs:

Most failed equipment can be repaired at substantially lower costs than replacement with new. Please ship according to the instructions in the previous section. Again, it is best to call ahead for updated information and/or Repair Form.

Kasco Marine does estimates on repairs at the request of the customer. The request for estimate should be included in the letter that accompanies the returned unit and must include a daytime phone number and/or e-mail address. Estimate options are as follows:

We will contact the customer with a total after the unit has been evaluated, but before the work is performed. We will repair the unit only if repair costs are under a stated dollar amount. Example: "Please repair if total is under \$150.00 before shipping charges."

All estimates that are rejected for repair will be destroyed unless otherwise directed by the customer. If the customer would like the unit returned, the unit will be restored as closely as possible to the condition in which it was received and shipped at the customer's expense for shipping and handling charges.

Billing:

All non-warranty repairs will be returned to the customer and billed C.O.D. unless otherwise directed. Kasco Marine also accepts Visa and MasterCard credit card payments. Kasco Marine will call for credit card information upon completion of the repair at the customer's request.

All other warranty and repair inquiries should be directed to Kasco Marine, Inc. at 715-262-4488 or [returns@kascomarine.com](mailto:returns@kascomarine.com)





Kasco Marine, Inc.  
800 Deere Rd.  
Prescott, WI 54021  
U.S.A.

Phone 00+1+715+262+4488  
Fax 00+1+715+262+4487

[www.teich-aire.com](http://www.teich-aire.com)  
[www.kascomarine.com](http://www.kascomarine.com)  
[sales@kascomarine.com](mailto:sales@kascomarine.com)