

Push Button Point-of-use Control-Lighted

For use with EV70/130/EV200/EV300

Operation

The Push Button (PB-L) Point-of-use Control-Lighted lets you manually turn on your EV70, EV130, EV200 or EV300 energy recovery ventilator for a short period of operation – for example, when you are using a bathroom. The PB-L Control must be tied into a PT-L control to operate. The light on the front of the PB-L Control is on whenever the ERV is operating.*

20-40-60 MINUTE VENTILATION CONTROL:

Press the logo and your ventilator will run for 20 minutes. Press again and the unit will run 40 minutes. A third press provides for 60 minutes of operation. Percent Timer Control does not need to be on for the PB-L Control to operate the ERV unit.

You can cancel a cycle at anytime. Just press the logo and hold for about five seconds.

You can start another cycle by pressing the logo.

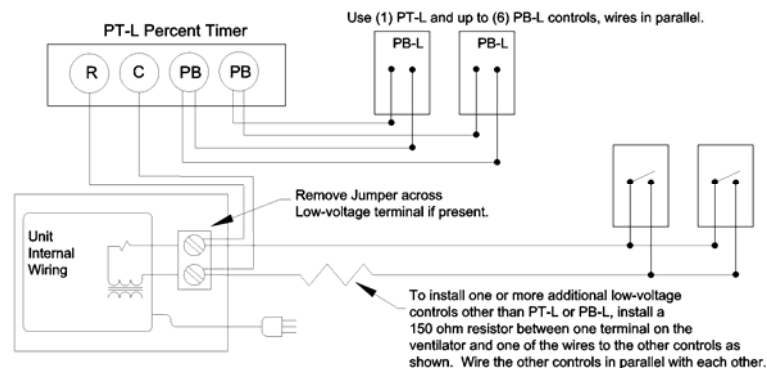
NOTE for ERV systems with more than one control:

Another control other than the push button may be causing your ventilator to run. If you wish to keep your ventilator from running, check that none of your controls are calling for unit operation.

Installation

1. Attach two wires to the back of the PB-L Control under the screws at the bottom. Tighten down the screws being careful not to over-tighten.
Wire Size: 18 - 22 gauge, no more than 500 feet. Wiring is non-polar.
2. Install control in a standard 2" x 4" electrical box, with a minimum depth of 1.5", with the two screws provided.
3. Two wires from the PB-L Control should be attached to the 'PB' positions on the terminal block on the back of the Percent Timer Control.
4. For two PB-L controls, one wire from each can be twisted together and inserted into a single position on the terminal block on the Percent Timer Control. The wires must be a maximum 18 gage solid wire. If more than two PB-L controls are attached or 18 gage stranded wire is used then pigtails must be inserted into the 'PB' positions on the Percent Timer Control and the leads attached to the pigtails with wire nuts.
5. Use Lutron Decora™ cover plate to complete installation.

Wiring Diagram



* Except when ERV is operating due to an additional control wired directly to the unit.



FRONT



BACK