

February 2024

www.nmra-scwd.org

Volume 55 No. 6

## Super's Report

Art Dawson  
Division Superintendent

Hello fellow modelers,

By now the Rail School is in the books and the February meet and the Rail Show is on our minds. Your Superindendant did not make the Rail School due to having tested positive for COVID the weekend of January 1<sup>st</sup>. The last two weeks have been miserable, and I'm happy to hear the event went well.

If you have not volunteered for the Rail Show yet, we'd love to have your help! Please email Dave Down and let him know of your interest. His email address is in the Red Book.

We have another new layout to tour after the February meeting. It's always fun to view these and get inspiration for your layout, whether you are building one or considering doing so.

I look forward to seeing you at the next meet on February 4<sup>th</sup>.

Art Dawson, SCWD Superintendent  
Model railroading is fun!

**Next SCWD Meet**  
**Verona Senior Center, Verona**  
February 4, 2024 at 1 PM

**Next BOD Meeting:**  
February 13, 2024 at 7 PM  
ZOOM Meeting



**Next Youth Group**  
**Verona Senior Center, Verona**  
February 10, 2024 1 PM

## MWR 2024 Officer Election

There are only a few days left to vote in the Midwest Region's 2024 officer election. **We have 7 Director at Large candidates - consequently your vote really matters!** Please vote now if you have not already done so! It's easy and only takes a minute using our secure online ballot.

Please go to the Winter 2023 Waybill for all the information:

<https://www.mwr-nmra.org/mwr2016/mwr-images/waybillfiles/waybill20234winter.pdf>



## Clinic Column

Ken Hojnacki

For our February meeting, Mike Vivion and Bob McGeever will team up to help spur us on with this year's modeling project—Trees. Mike and Bob will go over some materials and techniques for making great looking trees and get us planting our entries for the contest in April, so bring along your questions—they have all the answers—well, at least some. You only have two months left to finish your forest.

The next installment of our Year of Operations will be a doubleheader. To round out the use of computer switchlists for operations, Bob Wundrock will cover operations design on his current HO scale Rice Lake, Dallas & Menomonie layout. Bob also uses ShipIt software for switchlists. Being that Bob has used ShipIt since the late 1990s, he's made some modifications in the software implementation to smooth-out ops sessions. Bob will cover RLD&M history and how his sessions are conducted.

Many of us have seen and some have operated on Bill and Rose Weber's Union Pacific but few of us know the background of its operations. Bill will take us through the theme of his operating sessions and how he uses a unique car card system for moving freight across his railroad. This should be an interesting look behind the curtain at a great area railroad.

Ken

## Contest Column

Dave Down, Chair

There was no contest in January. The Rail School was the headliner for the month. Now we are getting back into the contest schedule, and the February theme is **Electric / Traction**. We don't do this theme very often, but it can be very interesting to see how you all participate.



Theme: **Electric / Traction**

- Category A. - Electric Locomotives - Overhead Wire
- Category B - Electric Locomotives - Shoe Contact
- Category C. - Trolleys

Dave

## Layout Tours

Phil Hottmann

Due to the Rail School, we did not have any tours in January. We are planning two tours for February. The first one is Bill Weber who is doing the clinic on operations at the February meet. I know most of you have seen Bill's impressive layout many times if you're a regular operator, but for those of you that have not seen the layout recently I encourage you to visit.

The second layout is Sean Hadfield. This is a layout we have not had open before. I know Sean has done impressive work on the modular group layout. I can't wait to see his home layout. It's great to see another new layout for the first time.

I still need to firm up the rest of the season. If you are interested in having your layout open, please get in touch with me.

Phil

## In Memoriam, Dave Donkle

The late SCWD member Dave Donkle participated in almost all of the SCWD rail shows.

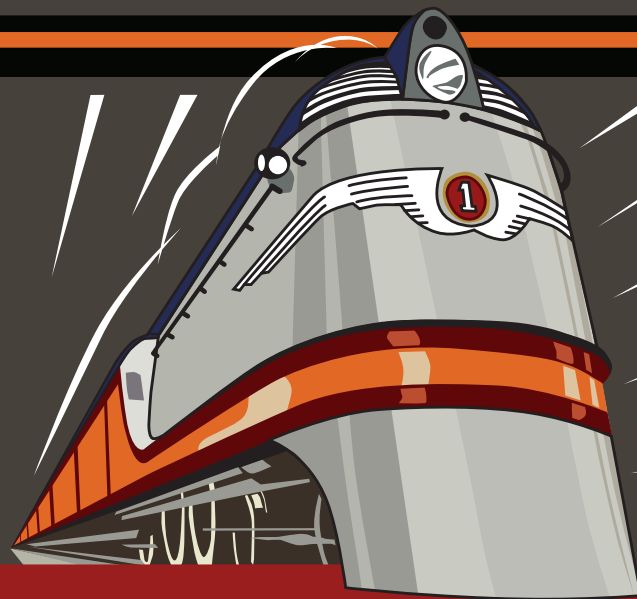
This photograph is Dave demonstrating air brushing at the very first show (then called an open house) held at the GAR Hall in downtown Madison in 1968.



Also here is Dave with his son Steve at the 1986 show at Edgewood High School.



Bob Wundrock



CATCH THE TRAINS

*Save!*  
FAMILY PACK  
\$36\*  
TICKETS

# *MadCity*

## MODEL RAILROAD SHOW & SALE

February 17–18, 2024

Saturday 9–5 • Sunday 9–4

Alliant Energy Center, Exhibition Hall

Madison, Wisconsin

A GREAT FAMILY ENTERTAINMENT VALUE!

DISCOUNT TICKETS AVAILABLE AT [BIT.LY/MADCITYTRAINSHOW](https://bit.ly/madcitytrainshow)

\*Family Pack includes: two adults (regular/senior) & two kids (5–15). Kids under 5 FREE.

# Mad City MODEL RAILROAD SHOW AND SALE

Sat. Feb. 17, 9AM–5PM • Sun. Feb. 18, 9AM–4PM • 2024

Alliant Energy Center, Exhibition Hall, Madison, WI

One of the Midwest's best model RR events showcasing beautiful model train layouts in Z, N, HO, S, O and G scale; classic toy trains; historical exhibits. **250+ vendor tables** of model train merchandise including tools, railroad collectibles, videos, books, clothing and artwork. Hourly door prizes for adults. Kids, age 5-15, can register to win an HO scale train set!

**FOUR HO TRAIN SETS GIVEN AWAY EACH DAY!**

Family Pack \$36: two adults (regular or senior) and two kids (5–15)

Adults \$14 (16 & older), Seniors \$13 (65 & older)

Children \$6 (age 5–15), Kids under 5 FREE

Active duty military \$13. Two day pass \$18. Parking fee not included.

All children under 16 must be accompanied by an adult.



## Advance Sale Discount Tickets

Adults \$13 (16 & older), Children \$5 (age 5–15)

Two Day Pass \$17

For more information:

[www.nmra-scwd.org](http://www.nmra-scwd.org)

©2023, NMRA-SCWD  
Sponsored by the South Central Wisconsin Division  
of the National Model Railroad Association, Midwest Region





















## A Puzzle for You

You like trains, or train watching, but have you ever wanted to go to an OPS (Operating Session) and run trains on someone else's layout, but were afraid you wouldn't know what to do?



Model Railroad Operation is a fun and interesting role-playing game where the players (operators) use model trains to simulate the movements of the prototype railroad. Operators fill the roles of railroad employees like engineers, conductors, yardmasters, dispatchers, and more. Many of our SCWD members participate each month at multiple layouts to enjoy this fun and stimulating practice of critical thinking and problem solving in the context of railroad operations.

Now, there is a way for you to get your feet wet in this critical thinking and problem-solving railroad environment in the privacy of your own home through the use of railroad switching puzzles.

In July 2020, a group of SCWD members started a project to introduce more of our members to the enjoyment of railroad operations, or as our wives call it, playing trains. Some of us have been engaged in operating sessions for 20 years or more, and would like to get more of you involved.

The project involves getting one to solve a series of train switching puzzles (on paper, or your computer) in the least number of moves possible. You can then submit your solution to see if yours was done in the least number of moves.

**Beginners** can start with **3 introductory puzzles** to show the kinds of skills used in railroad switching operations. Then, you can advance to a series of more advanced puzzles written and based on actual SCWD member area layouts. Or, if you have already been to an OPS session, you could do an introductory puzzle, and jump right into the more challenging ones.

**Join the SCWD listserv now and begin learning what this is all about!**

Email Steve Lanphear at [scwdmemberlist@mhtc.net](mailto:scwdmemberlist@mhtc.net) to be added to the list and start receiving your puzzles now!

Happy Railroading!  
Steve



**Enjoy receiving interesting rail photos, model railroad tips, Operating puzzles, and challenging Mystery Photos??**

Join The 120+ SCWD members and members from other Midwest Regional Divisions who are participating in the SCWD listserv. You can expect 5 - 10 photos of railfan photos or model railroad photos or other items per week on average, as well as SCWD announcements, monthly Mystery Photo contests, Modelers Corner, and OPS Corner Puzzles. The listserv has been running this since April 2012, and it has been quite popular.

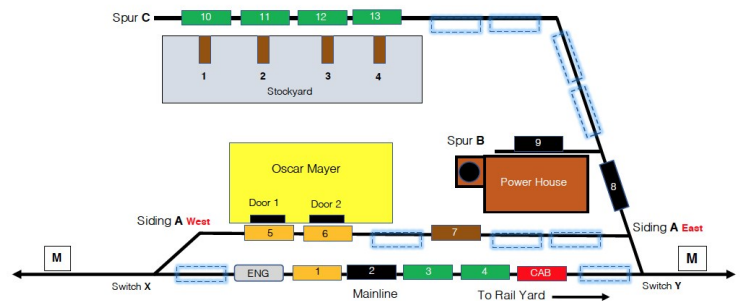
The listserv is a one-way email broadcast to you, not a social media type service. The emails are sent in bulk, but as a BCC: type email.

Please save this email so you know how to get a hold of me. So, if you would like to try out this FREE member service, just send me your **Name** and **email address**, and **City/State** to the address below. You may drop out at any time by sending an email stating such to the same address below.

Steve Lanphear  
SCWD listserv Coordinator  
[scwdmemberlist@mhtc.net](mailto:scwdmemberlist@mhtc.net)



## OPS Puzzles

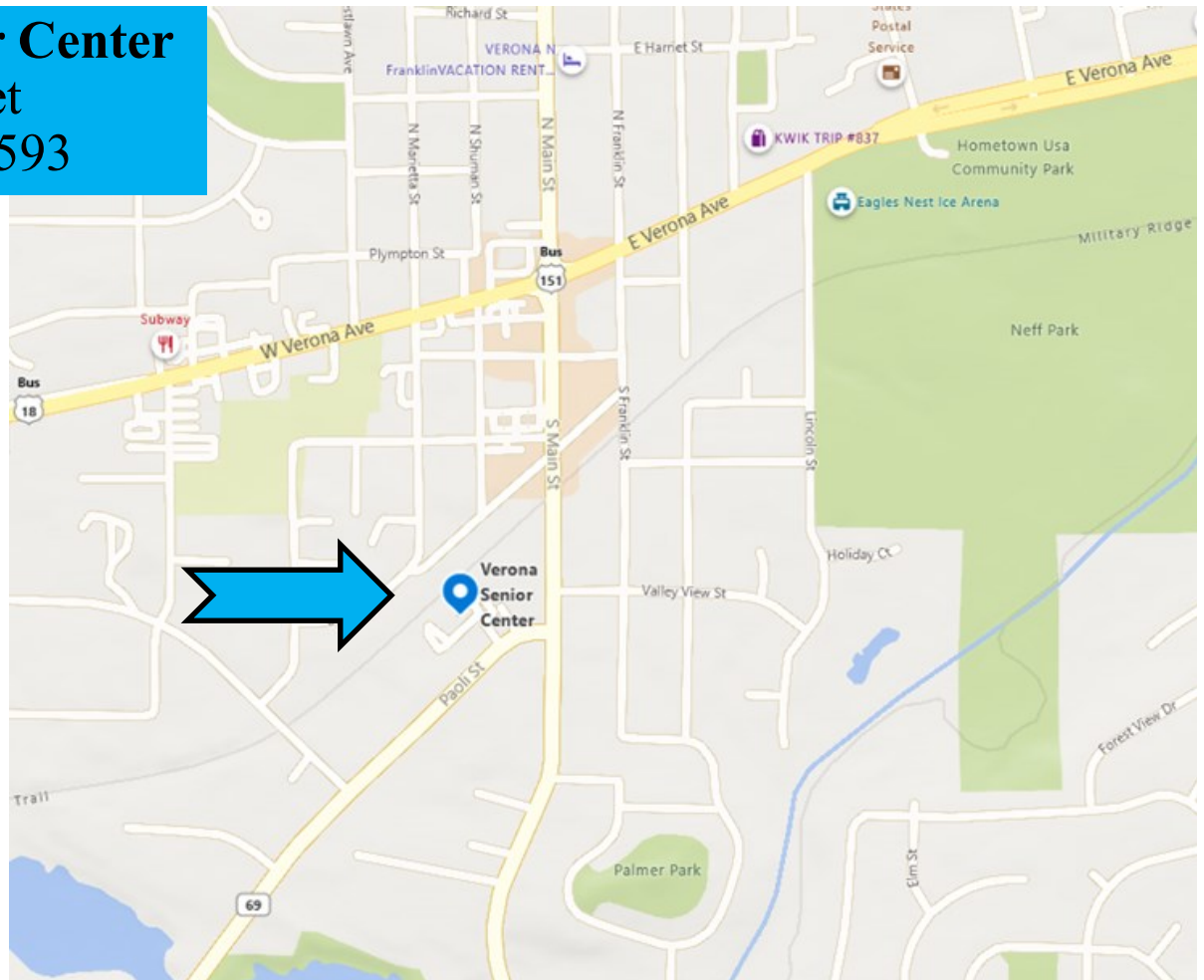


OPS Puzzles have arrived! We now have a section on the SCWD Website that has all 11 puzzles that we have published on the listserv, including the handouts and diagrams. You can start from the beginning, or pick and choose which puzzles you would like to try.

[www.nmra-scwd.org/ops-puzzles.html](http://www.nmra-scwd.org/ops-puzzles.html)

Steve Lanphear and the Puzzle Development Team.

**Verona Senior Center**  
108 Paoli Street  
Verona, WI 53593







# NMRA NEWS



The week-long **SurfLiner 2024 NMRA National Convention** is being hosted by the Pacific Southwest Region of the NMRA on **August 4-11, 2024** at The Westin Hotel in **Long Beach, California.**



## SAVE THE DATE

### AROUND THE BEND

MIDWEST REGIONAL CONVENTION

### MAY 2ND-4TH, 2024

The Century Center, South Bend, Indiana

Regional Train Event • Clinics • SIG Activities • Layout Tours  
 Operating Sessions • Display Room • NMRA AP Program Judging  
 Railroad and General Interest Tours • *And much more!*

<http://2024roundthebend.com/>



## Minutes SCWD Board Meeting 7:00 pm, 12 December 2023 via Zoom meeting



The meeting of the South Central Wisconsin Division Board of Directors was called to order at 6:39 pm by Superintendent Art Dawson. Art Dawson, Phil Hottmann, Bob McGeever, John Kosobucki, Dave Down, Dave Dingman, Steve Preston, and Bill Mitchell were present. Chris Bradley was unable to attend. (Meeting date and start times may vary due to BOD members schedules.)

**BOD Meetings:** Members of the SCWD are invited to join a ZOOM Board of Directors meeting. Meeting dates are published in the **Bad Order**. Send a request to Art Dawson or another member of the SCWD Board for a ZOOM link to the upcoming meeting. The members' contact information is in the **RED BOOK**.

### Minutes

Motion by Kosobucki, second by Dingman, to approve the minutes of the SCWD Board Meeting held on November 14, 2023. Motion carried.

### Paymaster Report

Bob McGeever presented the highlights of the November Paymaster Report. The second down payment for the February 2024 Model Railroad Show and Sale will be made this month. Motion by Dingman, second by Dawson, to approve the Paymaster Report. Motion carried.

### Committee Reports

**Achievement Program** - Nothing to report.

**Advertising** - Nothing to report.

**Bad Order** - Articles are due for the newsletter by December 14th.

*Special Note 1: The email list comes directly from the NMRA membership list, so please keep your membership active and your email current with the NMRA. All SCWD members are requested to inform the NMRA when their email address changes.*

*Special Note 2: Kathy, our newsletter editor, is always in need of articles. Please submit articles as soon as possible to have them included in the next publication of the Bad Order to SCWDKATHY@AOL.com via email with attachments in a WORD formatted document.*

**Clinics** - A new Clinics Chairperson is still needed for next season. Ken Hojnacki is retiring from that position after the May 2024 membership meeting. Clinics are scheduled for the remaining monthly membership meetings.

**Contests - Model and Photography** - Nothing to report.

**Modeling Project** - Work on the "Natural Trees on a Diorama" continues.

**Door Prizes** - \$25.00 Gift Certificates to **MADISON HOBBY STOP** will be purchased as needed.

**Layout Tours** - Phil Hottmann is looking for newer layouts. A tour of a new layout has been scheduled for February.

*Our SCWD organization is always looking for more people to host virtual or in-person layout tours. Please contact Phil Hottmann about the possibility of opening up your layout for a virtual or in-person tour. Phil's contact information is in the REDBOOK.*

**Membership** - Steve Preston reported that the membership roster is up to date. Two new members have joined. One of the new members is a member of the SCWD Youth Group.

*The current SCWD membership list is sent to Steve Preston on a monthly basis. The email address of the SCWD members associated with the membership list is used for the Constant Contact electronic communications system. Each member is responsible for making sure that their email address is valid. If someone has problems renewing their NMRA-SCWD membership using the ON-LINE systems, please contact Steve Preston. His contact information is in the RED BOOK.*

**Picnic** - The Board of Directors has recommended the July SCWD Membership Summer Picnic be held at **Little Amerricka** in Marshall again. Phil Hottmann is working on lining up a layout tour before the picnic. Planning will begin in early 2024.

**Publicity** - Nothing to report.

**Rail School - January 7, 2024** - People have signed up to present clinics at the January 7 Rail School at the Verona Senior Center. Flyers for the Rail School and the February Madison Model Rail Show and Sale are going out. An advertisement in the newspaper will run in very early January.

**Rail Show** - The **56th Madison Model Railroad Show and Sale** will be held on February 17-18, 2024. Vendor tables are being sold. Vendor inquiries and applications are being received. Dave Down is still looking for people to be show volunteers. Dave Dingman and Tom Morrison are working on the format of the information collected on the door prize ticket stubs.



**Youth Group** - Steve Preston hopes to sign up more youth members at the January 7 Rail School.

*Youth Group Notes - Youth 18 years of age and under are welcome to join the SCWD Youth Group. A parent or designated adult is required to attend with the youth. The Youth Group Committee is looking for more members. Also, SCWD members are needed to present model railroading topics.*

**Website** - Nothing to Report.

**Social Media** - Our new Social Media Chairperson is getting up to speed on the **SCWD FACEBOOK** page.

**Old Business:**

Nothing to Report.

**New Business:**

Due to a date conflict with one of the board members, the January 2024 SCWD Board of Directors Meeting will be held on Wednesday, January 10th, at 6:30 pm via ZOOM.

*(Notes from the Clerk - The Board of Directors Meeting was rescheduled and held on January 9, 2024.)*

The May 5th SCWD Membership Meeting will be a joint meeting with the Rock River Valley Division at the Verona Senior Center.

The SCWD Spring Banquet will be held on Friday, May 10, at the American Legion Hall in Verona. More details will be sent out in 2024.

**Adjournment:**

A motion was made by Mitchell, second by Preston, to adjourn the meeting. Motion carried. The meeting was adjourned at 6:58 pm.

**Bill Mitchell - Clerk**



**For those members that participate in the listserv emails from Steve Lanphear, please remember to **send him your new email** if you change it! Changing your email with the NMRA does not change it on the listserv. His email is:**

Steve Lanphear  
SCWD listserv Coordinator  
[scwdmemberlist@mhtc.net](mailto:scwdmemberlist@mhtc.net)

**FROM the NMRA**  
**Please Keep in Touch**



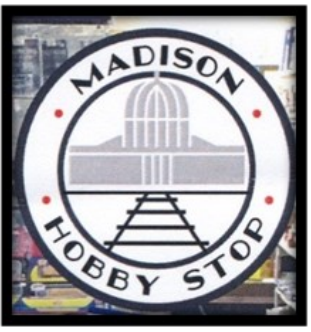
Please make sure the NMRA has your current contact information. You will not be able to access the full range of NMRA benefits unless we can reach you.

- Please visit [nmra.org/members](https://nmra.org/members)
- Use your email address and password to log in.
- If you have not yet registered, or forgot your password, there are buttons for that. Take a moment to easily correct any problems.
- Once logged in, click on Member Info (top right corner).
- Make sure your information is correct.
- If not, please go to:

[nmra.org/request-membership-info-changes](https://nmra.org/request-membership-info-changes)

to submit a request for changes to be made.

*Thank you!*



# **MADISON HOBBY STOP**

6622 Mineral Point Road, Madison, WI 53705

Ph: 608-829-3820 • Fax: 608-829-3852 • [www.madisonhobbystop.com](http://www.madisonhobbystop.com)

**Hours: Monday – Friday (10 am – 8 pm) and Saturday (10 am – 5 pm)**

Model Railroading • Plastic Model Kits • Rockets & Accessories • Pine Car •  
Paints • Tools & more!



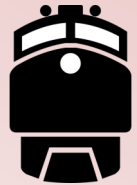
**Stay in and out of the cold and snow  
and work on your layout!**

**New items have been restocked after Christmas**

**New/old stock coming in weekly.**

**Open Sunday 12:00 - 5:00 through February**

**Thank you for your continued support.**



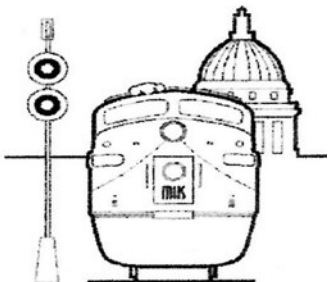
**Preorders are 25% off regular price except  
Walthers Proto which is 20% off**

**New/old consignment coming in weekly, stop in for best selection**

**Remember, most model railroad items are 20% off  
with a valid NMRA or other club id card**

*Excludes discounted or sale items, magazines, and consignments*

**Gift Certificates Available**



Madison Hobby Stop  
Chris Roosli, Proprietor

# The Hobby Depot

Brian Stackpole, owner



See us on the web at: [www.hobbydepotmonroe.com](http://www.hobbydepotmonroe.com)



835-17th Street  
Monroe, Wisconsin 53566

Phone: 608-325-5107

Call ahead to be sure we're open!

email: [hobbydpo@tds.net](mailto:hobbydpo@tds.net)

**TRAINS & MORE**

## South Central Wisconsin Division of the National Model Railroad Association

Publishes eleven issues yearly of the

### BAD ORDER

Official Mailing Address:  
BAD ORDER  
3940 Trempealeau Trail  
Verona, WI 53593

Photos in the Bad Order, unless otherwise noted,  
are by Kathy Clancy

Deadline for submissions: **14th of the month  
prior to publication.** Email Bad  
Order Editor at [SCWDKATHY@AOL.com](mailto:SCWDKATHY@AOL.com)

Place your ad here!!!

Contact  
Kathy Clancy  
Bad Order Editor  
[SCWDKathy@aol.com](mailto:SCWDKathy@aol.com)



If you change your  
email address

Don't forget to notify the NMRA and  
Kathy Clancy  
Bad Order Editor

Thank you!

# Railroad Collectibles

## Wanted to Purchase:

Annual Passes-Card size-Pre 1830  
Annual Reports  
Brochures-Railroad Brochures, Folders, Booklets  
Calendars-Pre-1980 Railroad Issued  
Depot Related Items: Telegraph-Telephone-Signs-  
Ticket Dater Machines-W/Brass Die Insert  
Diagram Books-Locomotive-Freight-Passenger  
Dining Car China-Silverware-Holloware-Glassware  
Especially With Railroad Name, Initials,  
Logo  
Engineering Data Books-Track Charts-Blue Prints  
Great Lakes Car Ferry and Passenger Lines-  
Passenger Service Memorabilia  
Fred Harvey Restaurant Items-Dishes, Glass, Silver,  
Paper and any Miscellaneous Items  
Locomotive Builder Plates  
Miscellaneous-Many more items not mentioned  
Publications-RR Historical Societies-RR Employee  
Magazines  
Signs-Porcelain or Metal with Railroad Logo  
Step Boxes-with RR Name/Logo  
Timetables-Public and Employee Railroad Sched-  
ules  
Wax Sealers-From Railroads or Express Companies  
Model Railroad Items: HO Gauge-Brass Equip-  
ment O Gauge (2 Rail 1/4" scale), Brass  
Equipment, Kits, Passenger and Freight

## NOT BUYING:

No Model Railroad Magazines  
No Insulators, Date Nails, Tokens, Post Cards,  
Watches or Belt Buckles

**RAILROAD RELICS**  
**LARRY BUNCE**  
**201 NORTH KERCH ST.**  
**BROOKLYN, WI 53521**  
**(608) 455-4233**

EMAIL: [rrrellmb@charter.net](mailto:rrrellmb@charter.net) or  
[rrrellmb@gmail.com](mailto:rrrellmb@gmail.com)

**\*\*BUY\*\*Shows-Ebay\*\*SELL**

## PLEASE PATRONIZE OUR AREA HOBBY STORES

The Hobby Depot – 835 17<sup>th</sup> Street – Monroe WI  
Madison Hobby Stop – 6622 Mineral Point Rd (inside Clock Tower) – Madison WI \*

\* = Train Show Ticket advance sales

### SCWD 2023-2024 Meeting Schedule

#### Regular Meeting

February 4, 2024  
March 3, 2024  
April 7, 2024  
May 5, 2024

#### BOD

February 13, 2024  
March 12, 2024  
April 9, 2024  
May 14, 2024  
June 11, 2024  
August 13, 2024

#### Youth Group

February 10, 2024  
March 9, 2024  
April 13, 2024  
May 11, 2024

### A Word about Constant Contact e-mail

Each Constant Contact e-mail includes links to update or unsubscribe your e-mail address. **Please do not use these links.** If you unsubscribe using the Constant Contact link, your e-mail address will be removed from the NMRA membership database, from the Midwest Region e-mail database and probably from your Division's records. If you get an e-mail that you don't want, just hit the delete key. Furthermore, if you use the update link, your change may not be timely posted to the NMRA membership database.

#### **If you need to change your email address with the NMRA please follow these directions:**

The direct way is to log on to the "Members" page of the NMRA website, choose the "View your NMRA membership" box on the right side of the screen, scroll down to the bottom of the page and select "Update". Enter the new email address in the appropriate box and click "Submit".