

## AMCO PARK LAMP



MODEL NO.

**2 - AX**



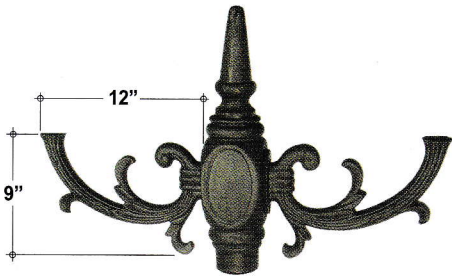
MODEL NO.

**3 - AX**



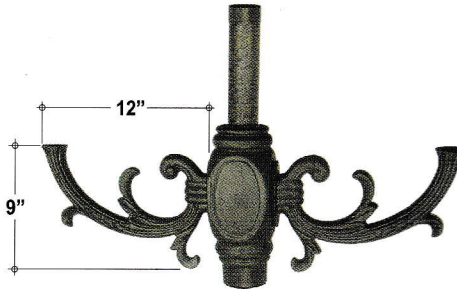
MODEL NO.

**5 - AX**



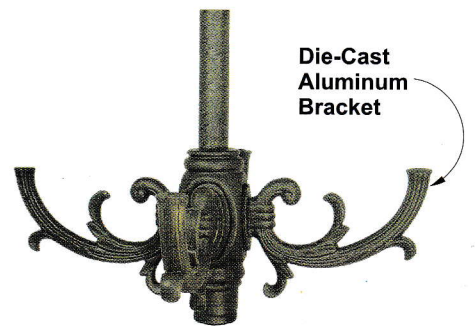
MODEL NO.

**2 - AU**



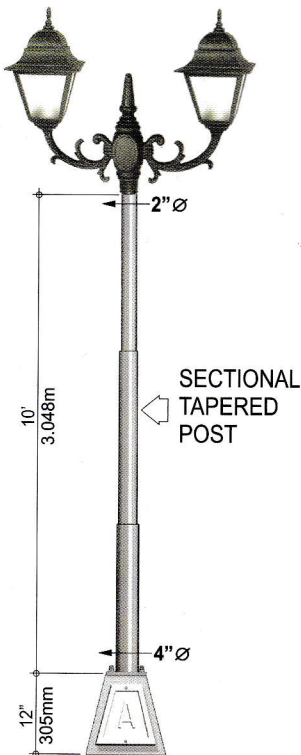
MODEL NO.

**3 - A**



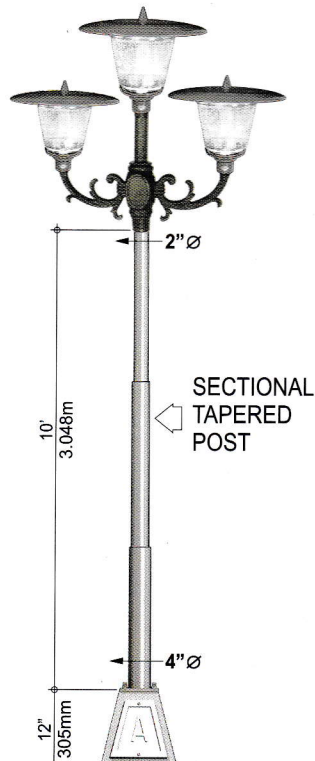
MODEL NO.

**5 - AU**



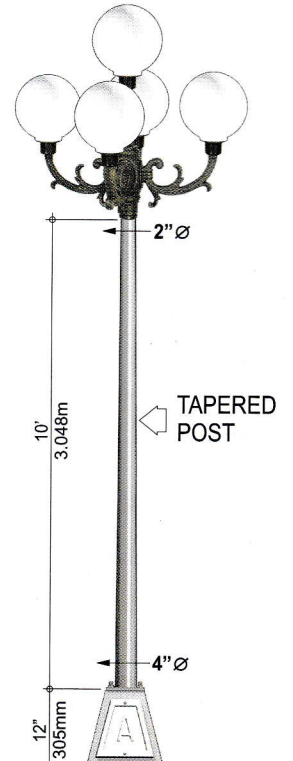
MODEL NO.

**2 - AP**



MODEL NO.

**3 - AP**



MODEL NO.

**5 - AP**