

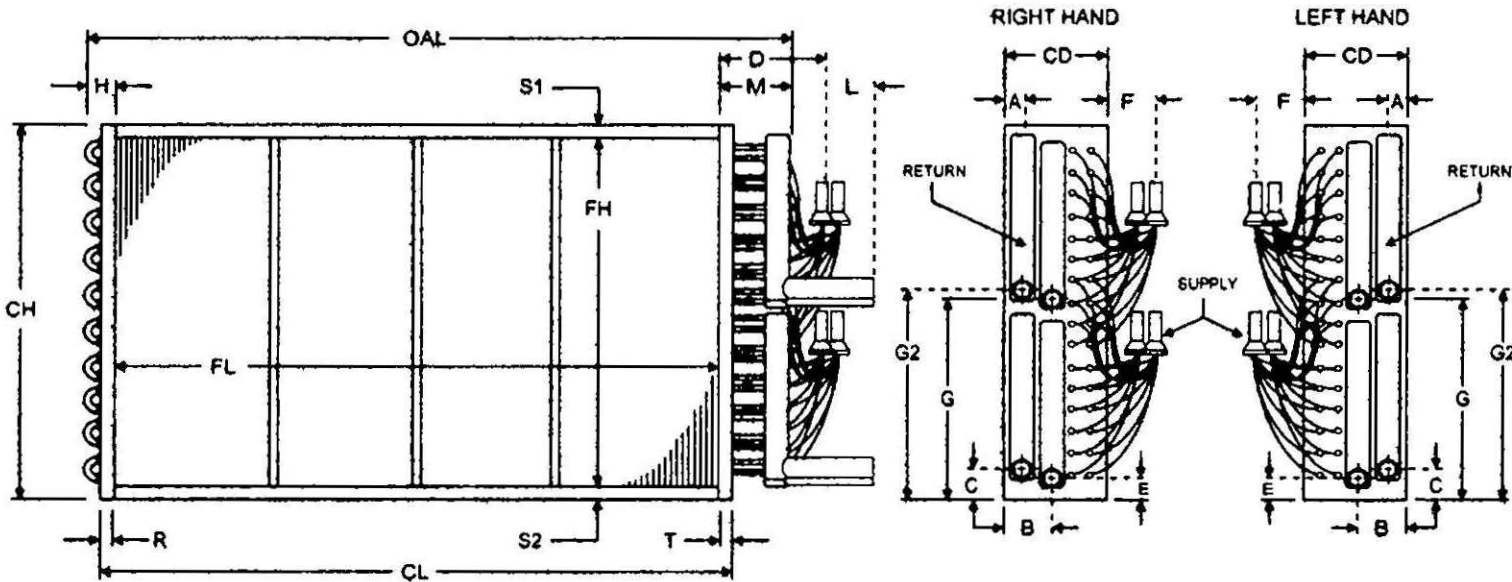
UPDATED 6-Jan-2009

Phone: 1-877-OEM-COIL Fax: 800-419-6607 sales@bethelproductsllc.com

DX Interlaced / Face Control

Certified Drawing

Technician:	Date:	Revision Description	Rev. Date	REV
-------------	-------	----------------------	-----------	-----

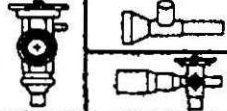


# of Circuits per Coil	
#1	
#2	
#3	
#4	
#5	
Nozzle size per Circuit	
#1	
#2	
#3	
#4	
#5	
Distributor Part#	
#1	
#2	
#3	
#4	
#5	

Design Specifications

#	Tag #	Qty	Type	FH	FL	Tube Size	Rows	FPI	Casing	Hand	Material		
											Supply	Return	
1											Connections		
											Manifolds		
											Fins		
											Tube Wall		
Technician Initials:													

Dimensional Data

#	Connection Locations						CH	CL	CD	OAL	L	M	H	Flanges				TXV : Dist
	A	B	C	D	E	F								R	S1	S2	T	
1																		
Tech.																		

Cap Tube Size

Company:	Work Order #:	Date:	Circuits:
Dwg #:	Model #:	OEM:	Notes:
Dwg By:	Approved By:	PO #:	
Project:	Contact:	Rev:	

DRAWING 1 OF 1

All Dimensions are in inches.

DX Interlaced / Face Control