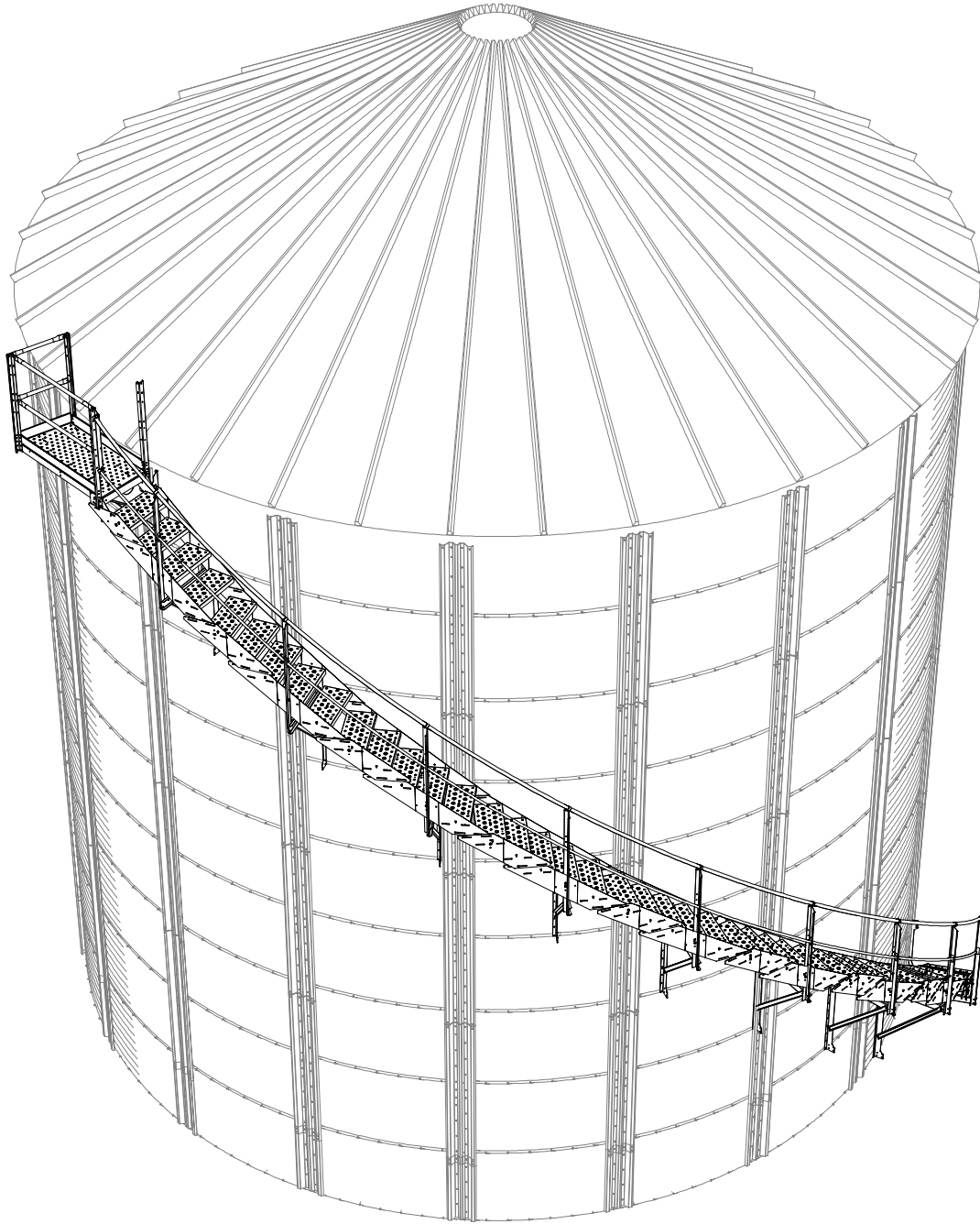


C-Series Sidewall Stairs

42" Farm Duty Assembly Instructions & Parts Reference



C-Series Sidewall Stairs
42" Farm System

Document Guide

Wall Bracket Layouts.....3

Position Guides.....6

Eave Platform Layouts.....8

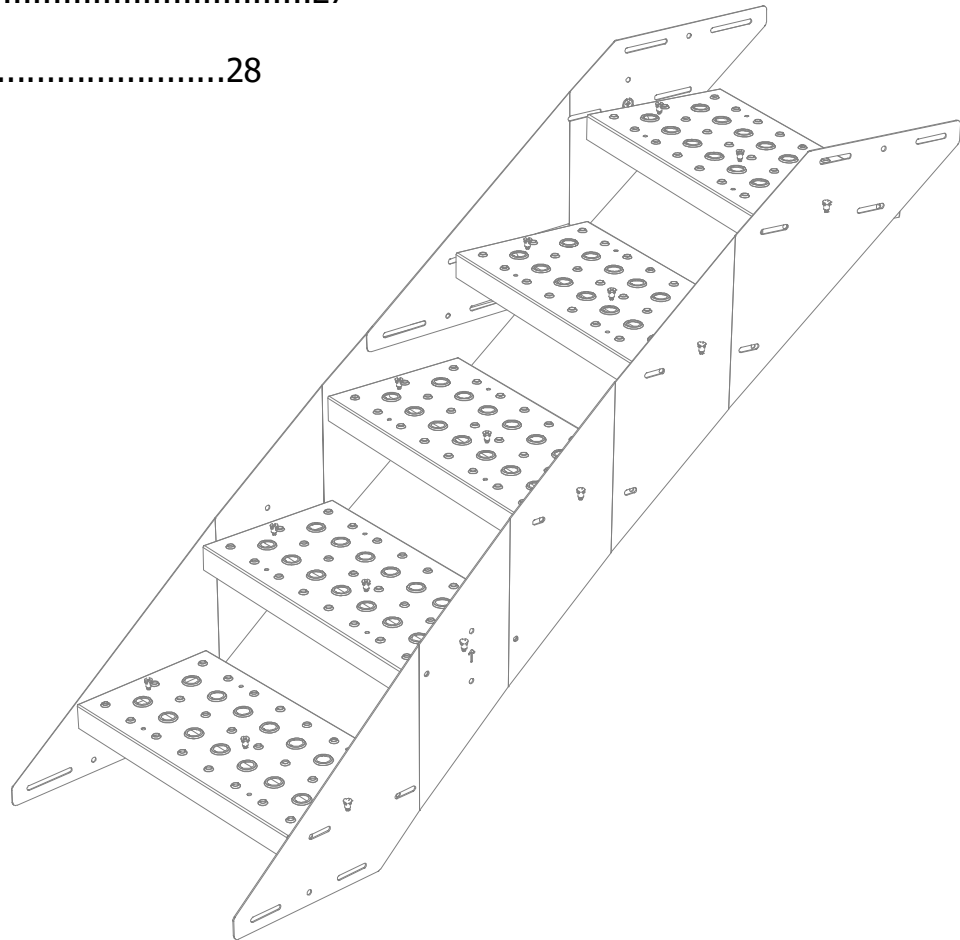
Platform 3542L Components & Assembly.....10

4-Step Stair Section.....19

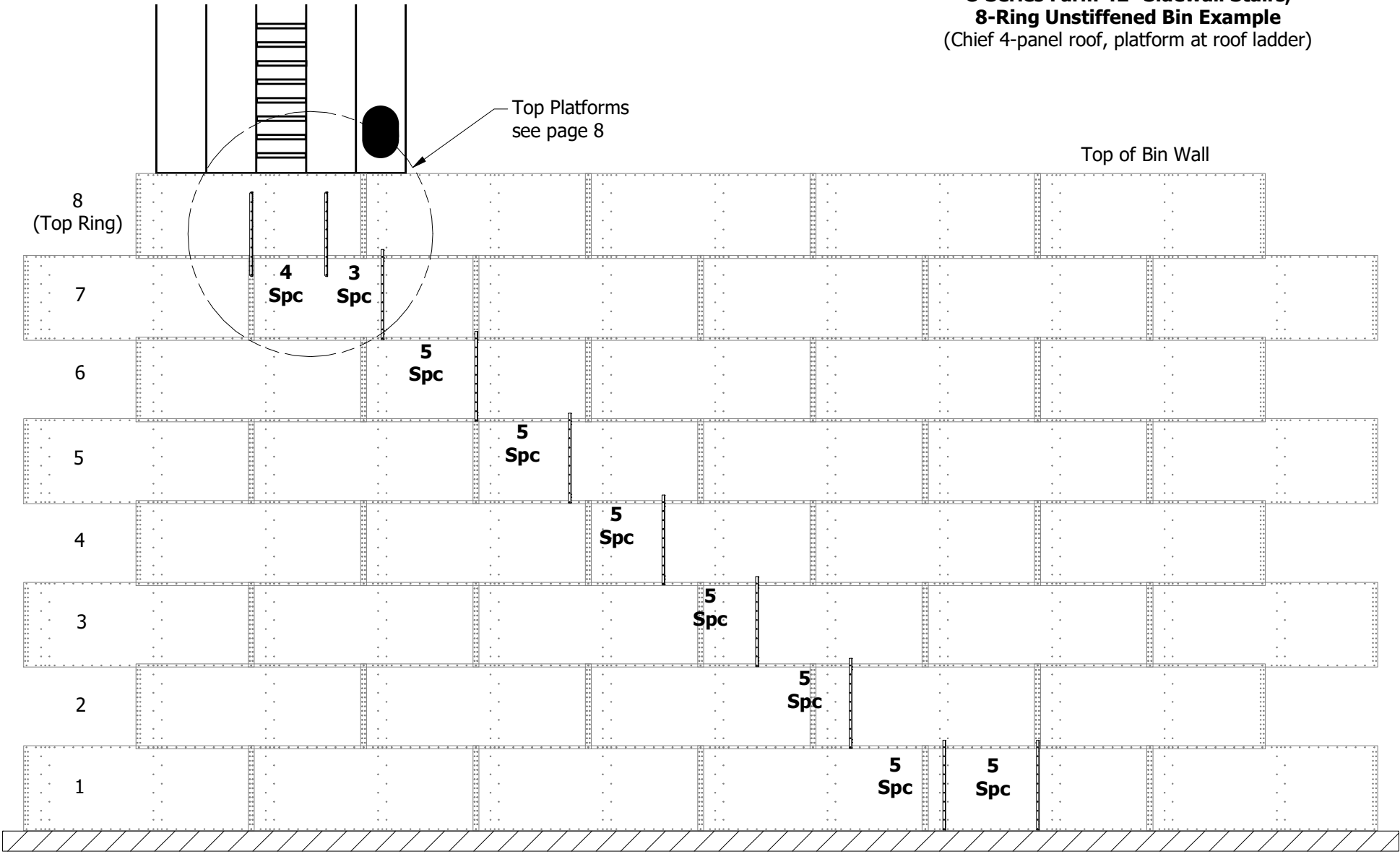
5-Step Stair Section.....22

Bottom Wall Bracket.....27

Handrail.....28



**C-Series Farm 42" Sidewall Stairs,
8-Ring Unstiffened Bin Example**
(Chief 4-panel roof, platform at roof ladder)



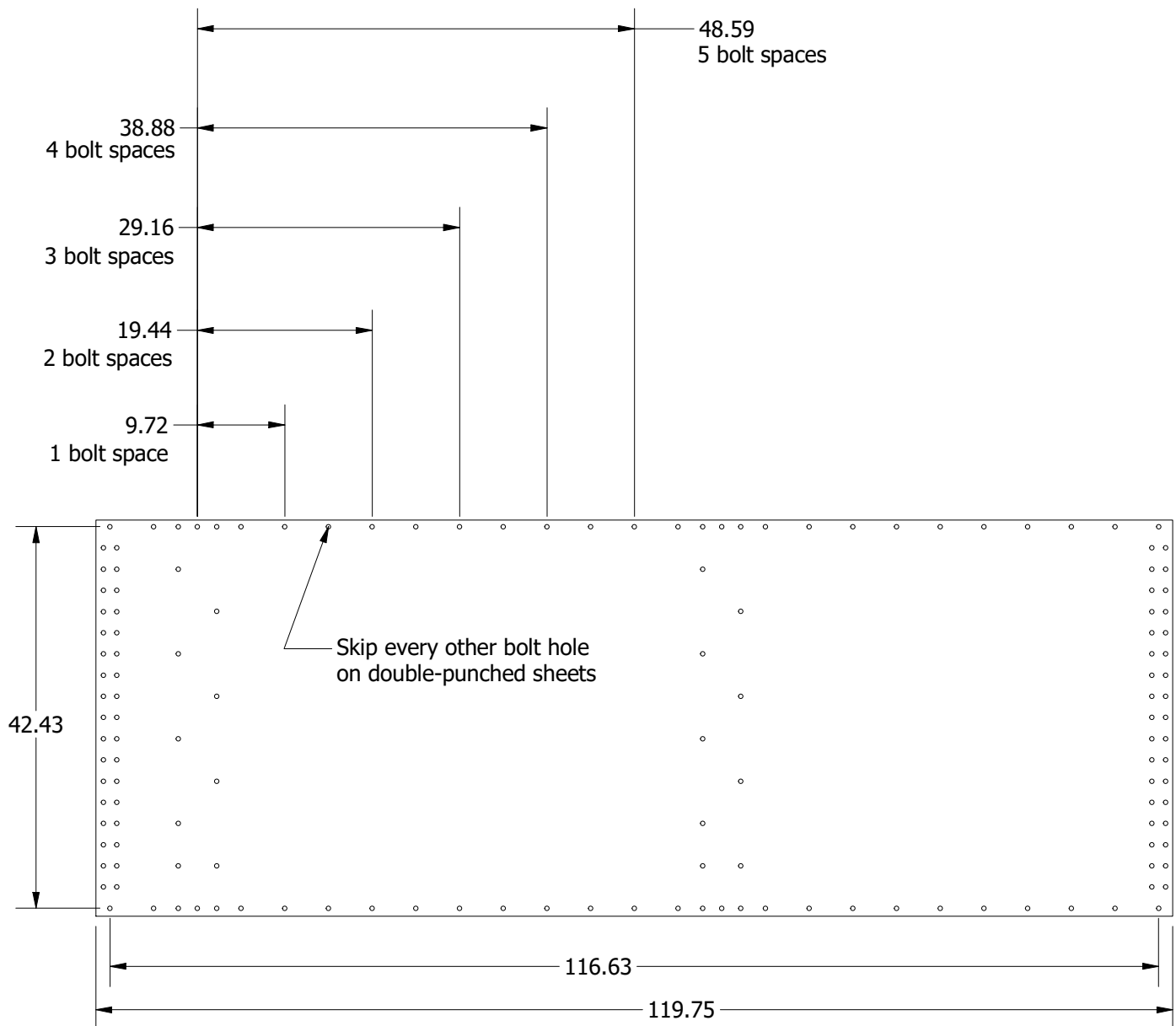
Overall Run Distance can be determined using this formula (single-punched bin sheets):
Bolt Spaces: $2 + 5x \text{ ring count} = \text{Total Bolt Spaces}$
Bin sheets = Total bolt spaces/12

42" Bin Sheet Bolt Spacing

Bin sheets may be single-punched or double-punched. A double-punched sheet is shown below.

Wall bracket placement is marked by "Bolt Spaces" throughout these instructions. On a single-punched 42" sheet, a bolt space is equal to 9.72 inches.

When installing C-Series Farm systems on double-punched sheets, bolt spaces must be counted at every other bolt hole to ensure the layout is correct.

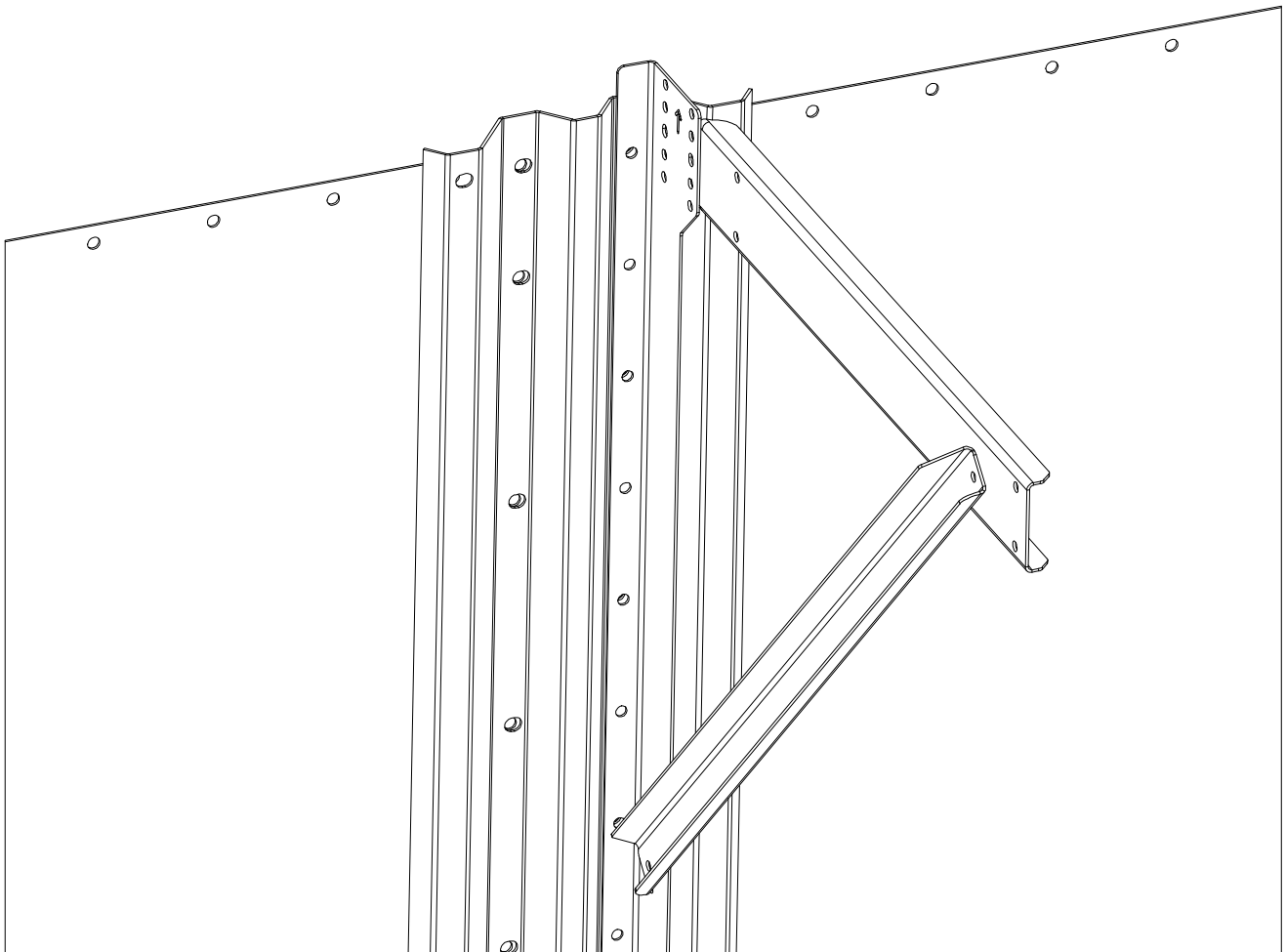


42" Bin Sheet, double-punched example

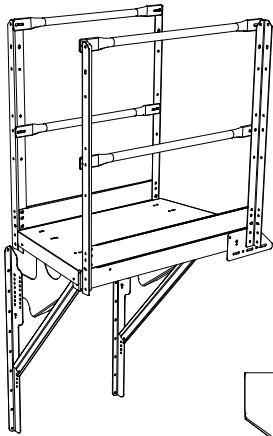
42" Chief Stiffener Accommodation

Standard wall bracket layout may be interrupted by the use of exterior stiffeners
It is recommended to nest the wall bracket in the stiffener valley to utilize existing holes/bolt studs

Minor deviation ($\pm 1.5"$) from standard bolt spacing can be accounted for in adjustment of stair sections



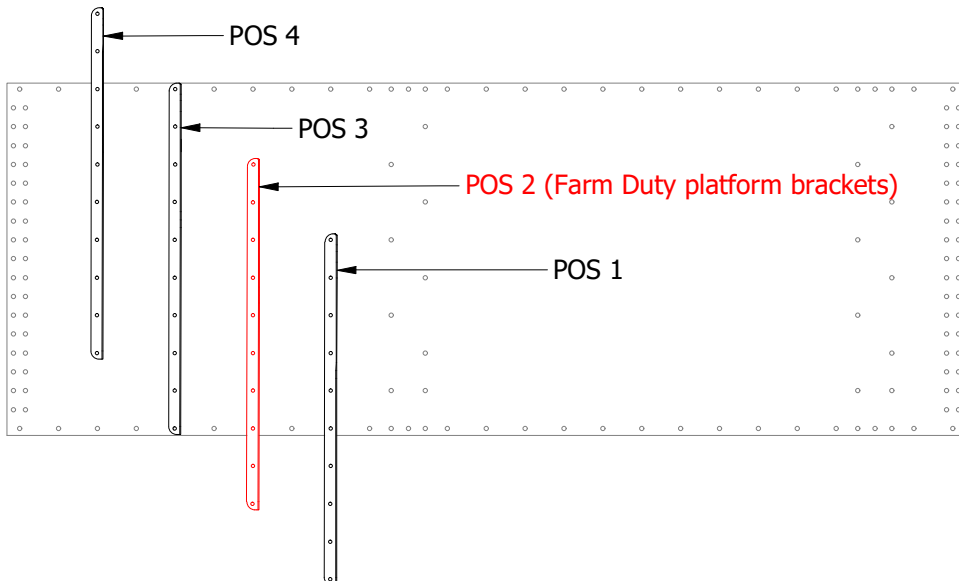
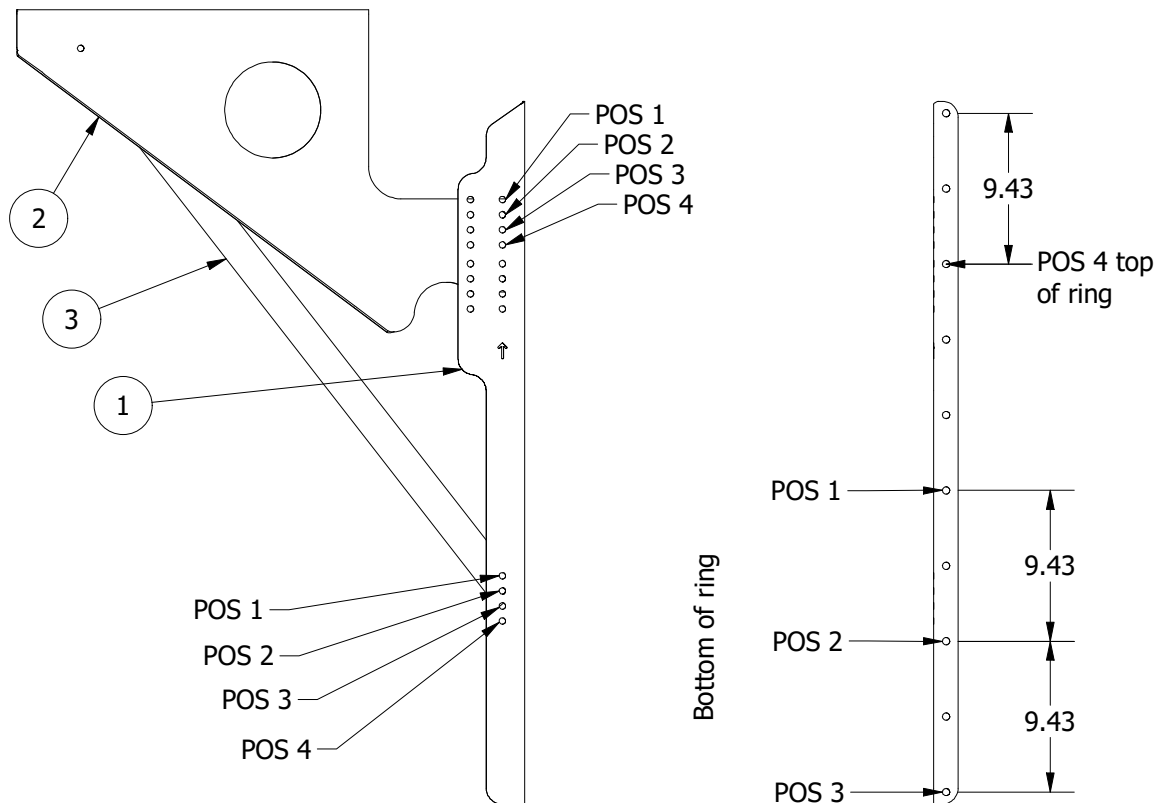
Platform A-Frame 42" Position Guide



PARTS LIST			
ITEM	QTY	PART NUMBER	DESCRIPTION
1	1	CS-34201	Angle, Bracket, Platform
2	1	CS-34402	Brace, Plate, Platform
3	1	CS-32002	Channel, K-Brace, C-Series

There are 4 position adjustments for brackets mounted in, above, or below the seam.

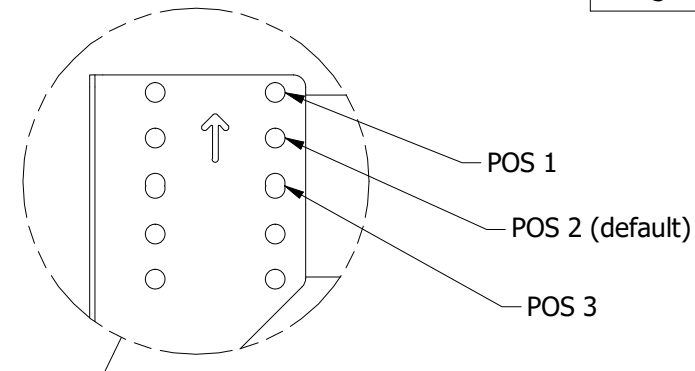
On Farm Duty, only a single top platform is installed, using POS 2



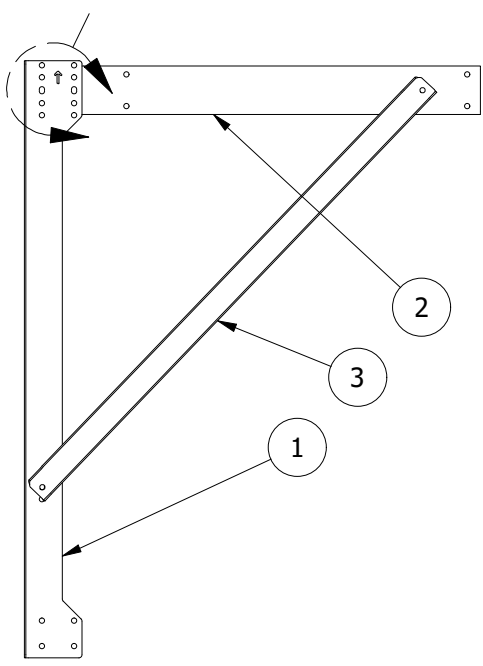
Stair A-Frame 42" Position Guide

PARTS LIST

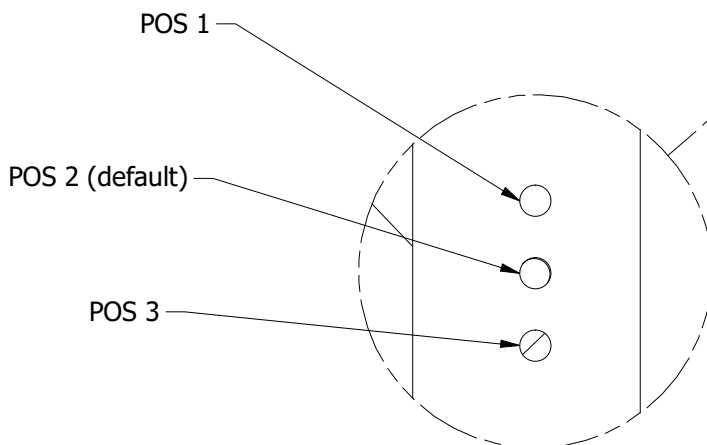
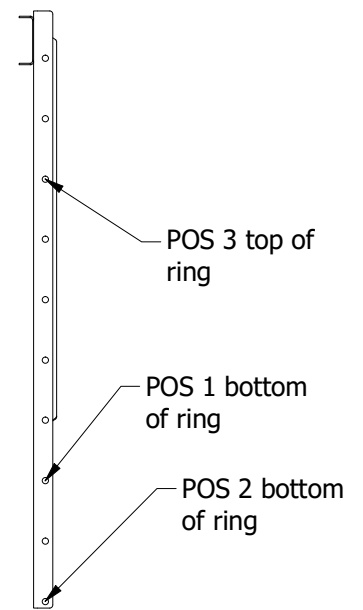
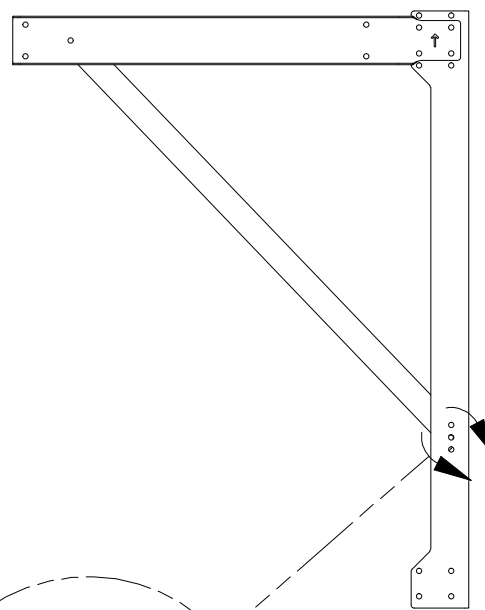
ITEM	QTY	PART NUMBER	DESCRIPTION
1	3	CS-42001	Bracket, Wall, 42" ring
2	1	CS-40002	Channel, Crossbar
3	1	CS-32002	Channel, K-Brace, C-Series



Farm duty stairs without intermediate landings will always use position 2 on stair wall brackets



Reverse view

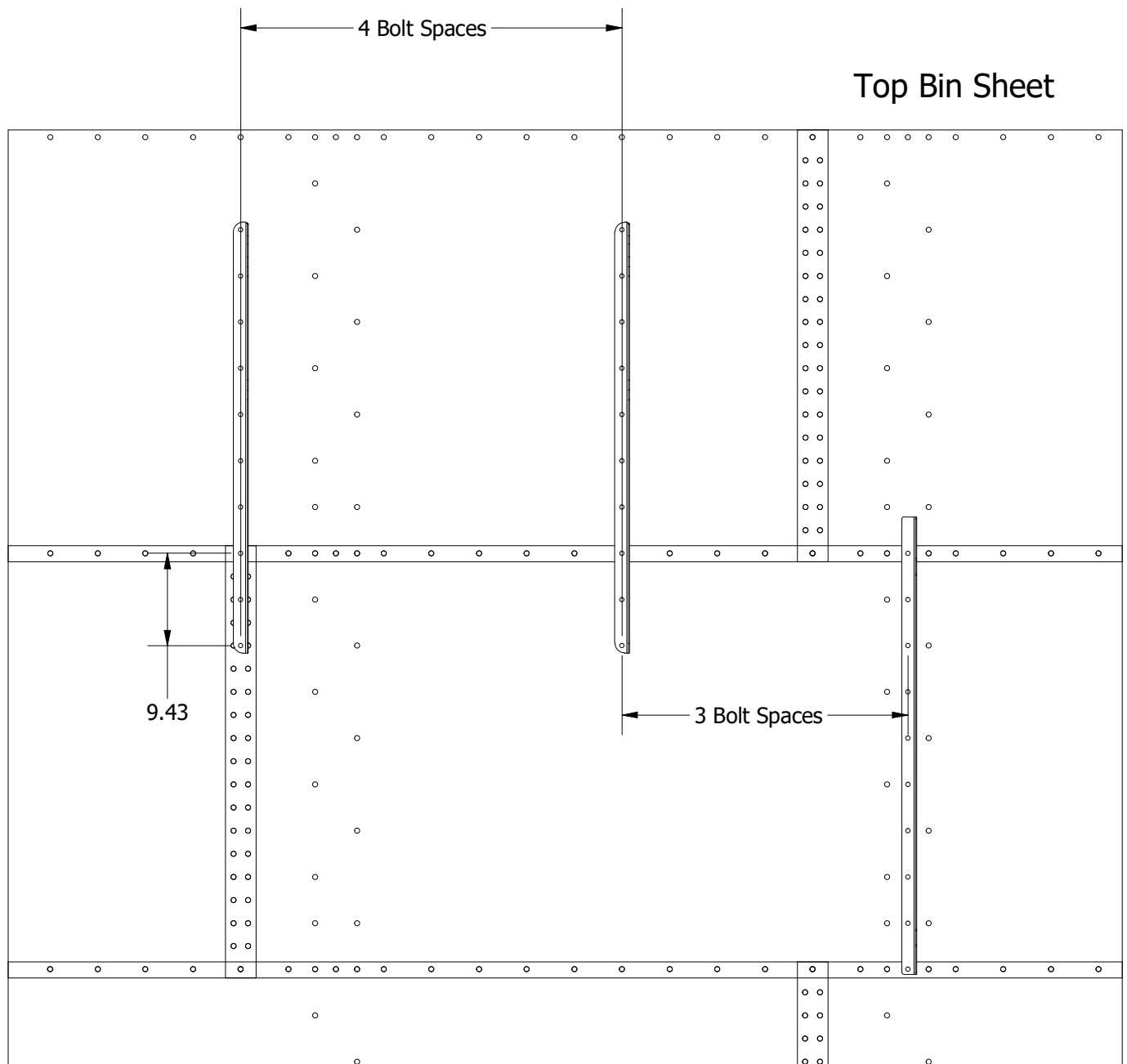


Eave Platform Wall Bracket Horizontal Bolt Spacing, C-Series Farm 42"

The horizontal spacing between the long eave platform wall brackets is 4 bolt spaces (39").

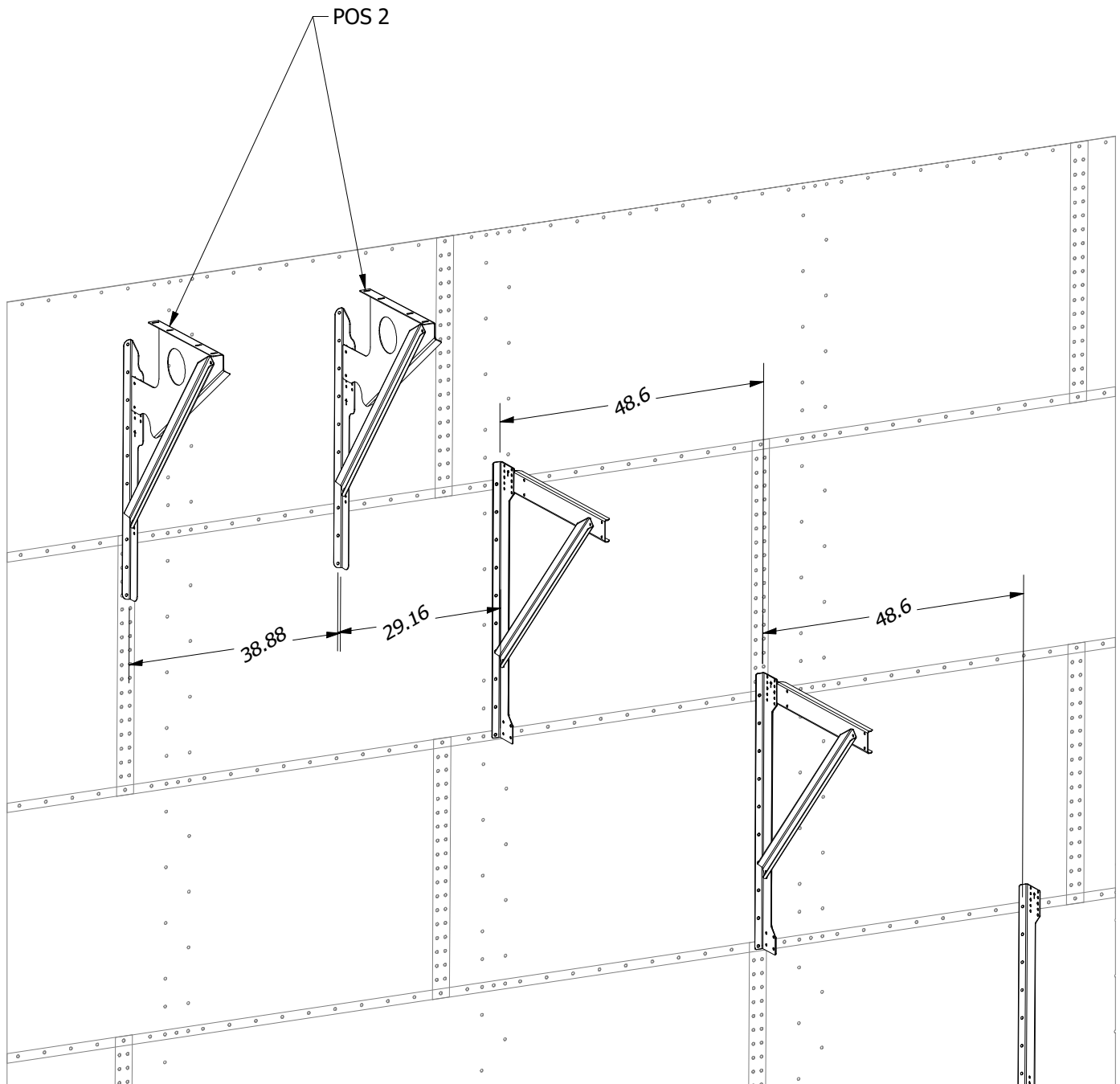
The horizontal spacing from the platform wall bracket to the 4-step stair wall bracket is 3 bolt spaces (30").

About 1.5 inches of variation is allowed for nesting wall brackets in valley of stiffeners, as shown on page 5



Wall Bracket Horizontal Bolt Spacing, C-Series Farm 42"

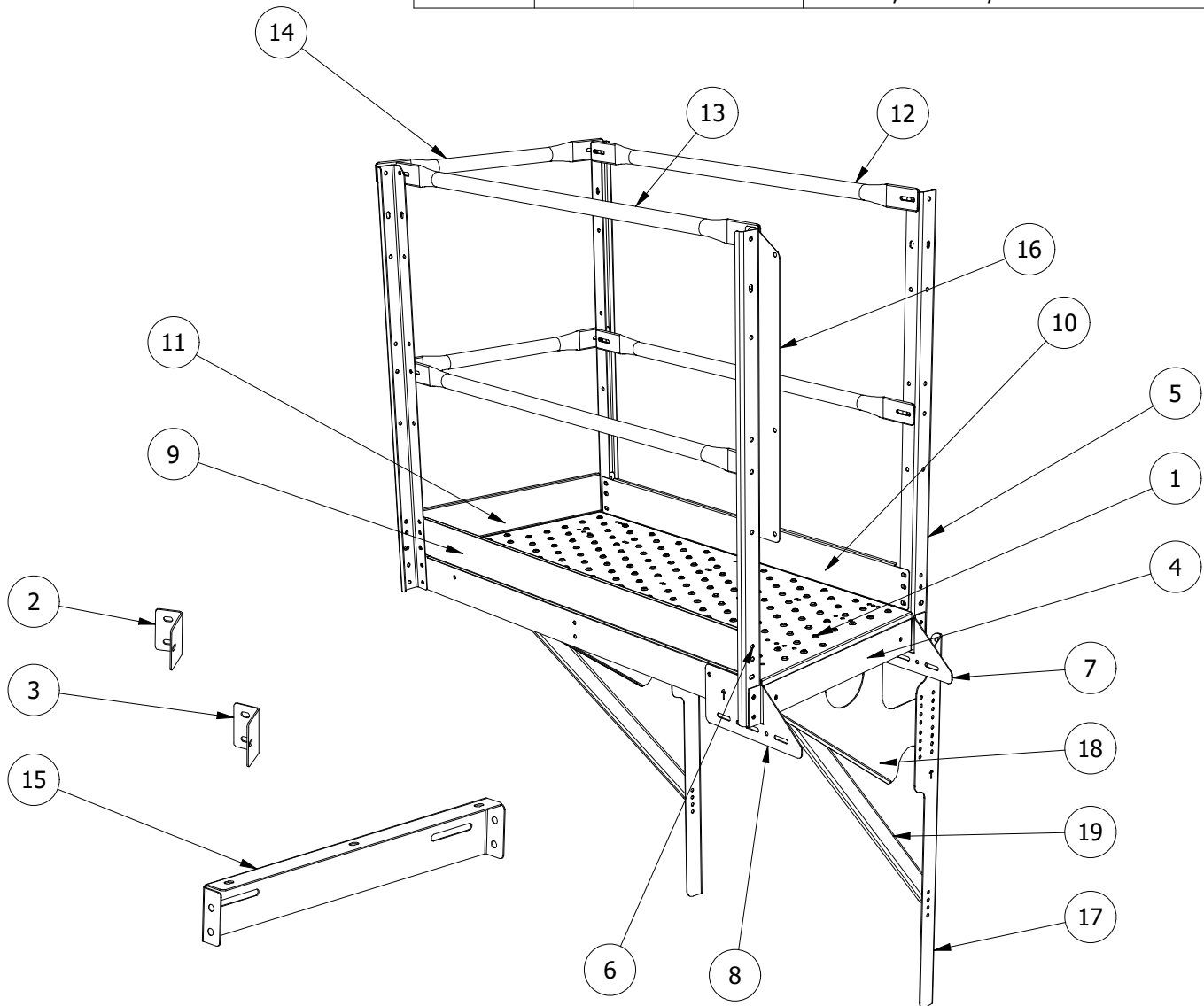
The horizontal spacing between the long eave platform wall brackets is 5 bolt spaces (48.6"), and is consistent the remainder of the way down the bin, unless using a rest landing.



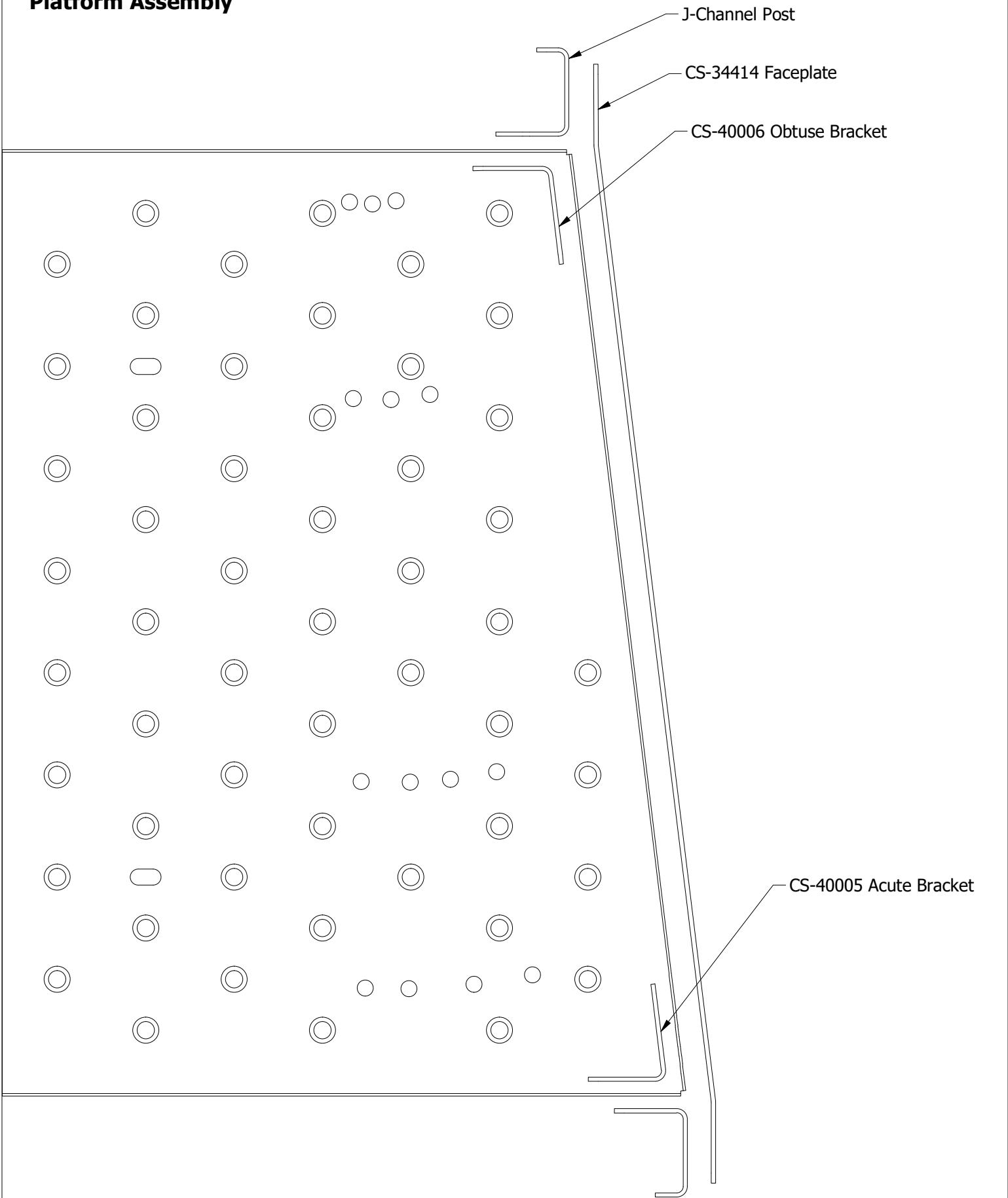
**CF3542L Parts List,
C-Series Farm 42"
Long Stair Platform**

PARTS LIST

ITEM	QTY	PART NUMBER	DESCRIPTION
1	1	CS-F30001	Tread, Platform, Trapezoid 55x24
2	2	CS-40005	Bracket, Brace, Angle, Acute
3	2	CS-40006	Bracket, Brace, Angle, Obtuse
4	2	CS-34414	Bracket, Faceplate
5	2	CS-34500	Angle, Post, J-channel, Right
6	2	CS-34501	Angle, Post, J-channel, Left
7	1	CS-40410	Lower Stringer Extension 44
8	1	CS-40411	Platform Stringer Extension 40
9	1	CS-34406	Channel, Kickboard, Outside Long
10	1	CS-34407	Channel, Kickboard, Inside, Long
11	1	CS-34408	Channel, Kickboard, End
12	2	TRS1504800	48 Long 1.5 in tube railing slotted end tabs
13	2	TRS1505400	54" long 1.5 in tube railing slotted end tabs
14	2	TRS1502800	28" Long 1.5 in tube railing slotted end tabs
15	1	CS-3009	Bracket, Support, Platform
16	1	CS-30010	Bracket, Plate, Handrail
17	2	CS-34201	Angle, Bracket, Platform 42.428
18	2	CS-34402	Brace, Plate, Platform
19	2	CS-32002	Channel, K-Brace, C-Series

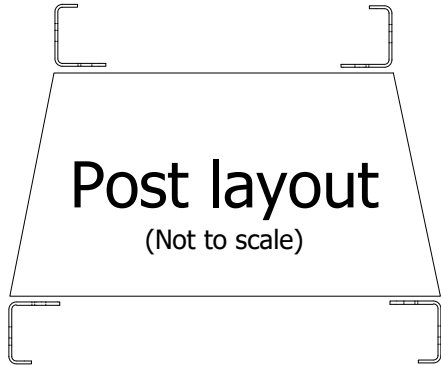


C-Series Commercial Platform Assembly



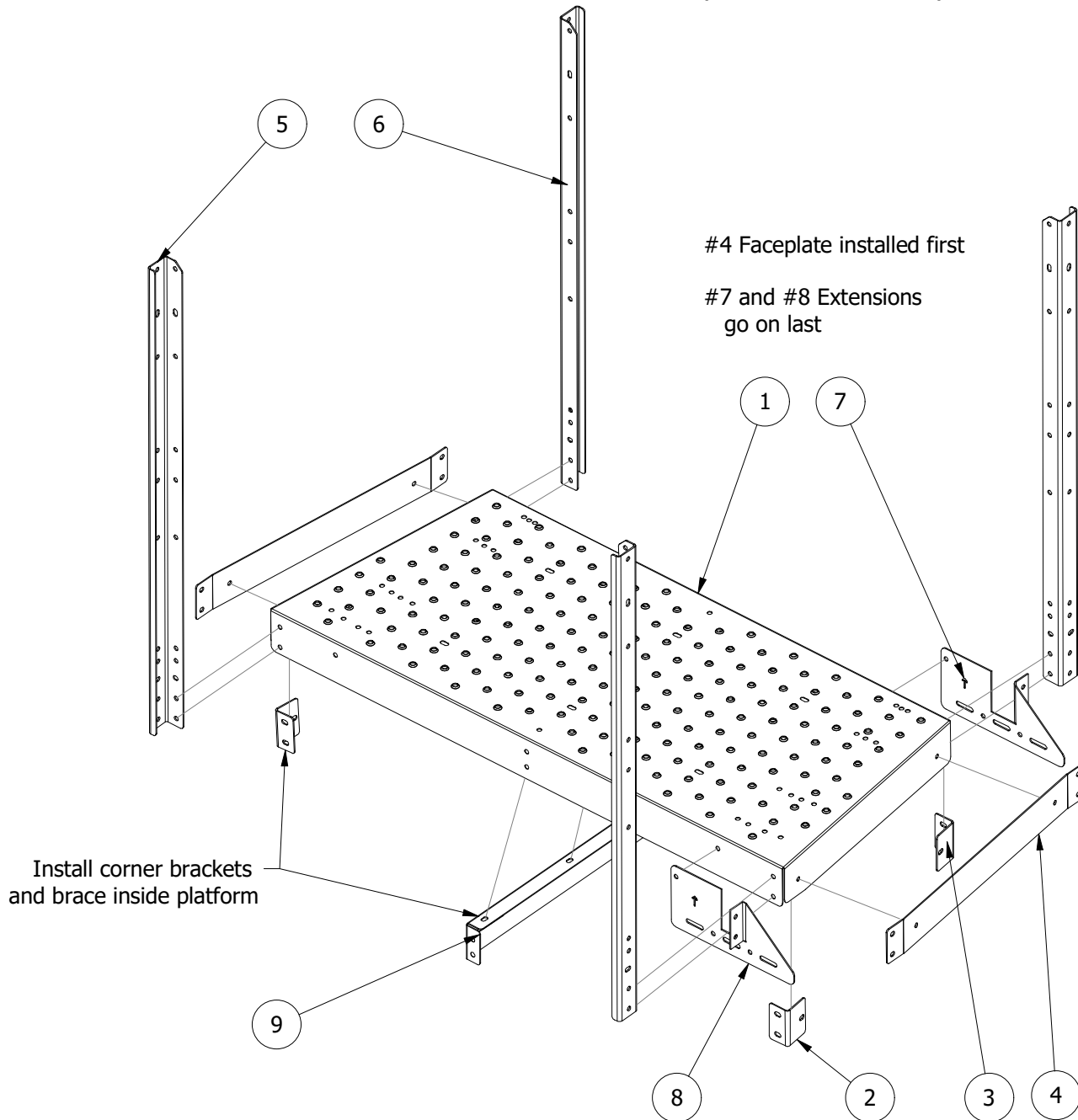
C-Series Commercial Platform Assembly

Posts & Brackets



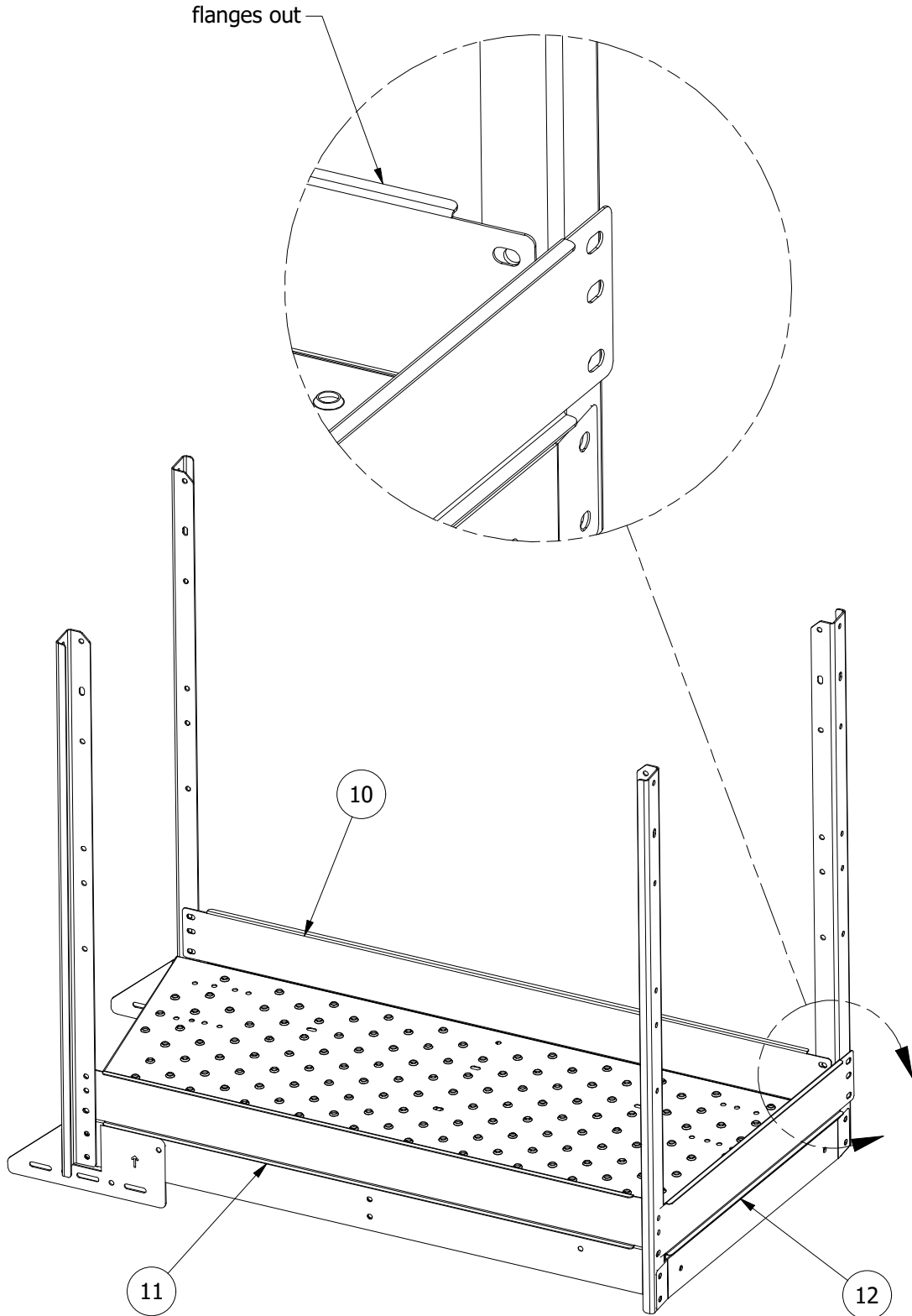
PARTS LIST			
ITEM	QTY	PART NUMBER	DESCRIPTION
1	1	CS-F30001	Tread, Platform, Trapezoid 55x24
2	2	CS-40005	Bracket, Brace, Angle, Acute
3	2	CS-40006	Bracket, Brace, Angle, Obtuse
4	2	CS-34414	Bracket, Faceplate
5	2	CS-34500	Angle, Post, J-channel, Right
6	2	CS-34501	Angle, Post, J-channel, Left
7	1	CS-40410	Lower Stringer Extension, Right
8	1	CS-40411	Lower Stringer Extension, Left
9	1	CS-3009	Bracket, Support, Platform

STAIRS CONNECT TO SIDERAIL EXTENSIONS #7, 8
your installation may be mirrored



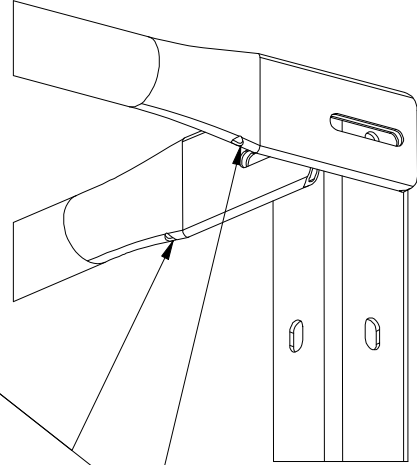
**C-Series Commercial
Platform Assembly
Kickboards**

PARTS LIST			
ITEM	QTY	PART NUMBER	DESCRIPTION
10	1	CS-34406	Channel, Kickboard, Outside Long
11	1	CS-34407	Channel, Kickboard, Inside, Long
12	1	CS-34408	Channel, Kickboard, End



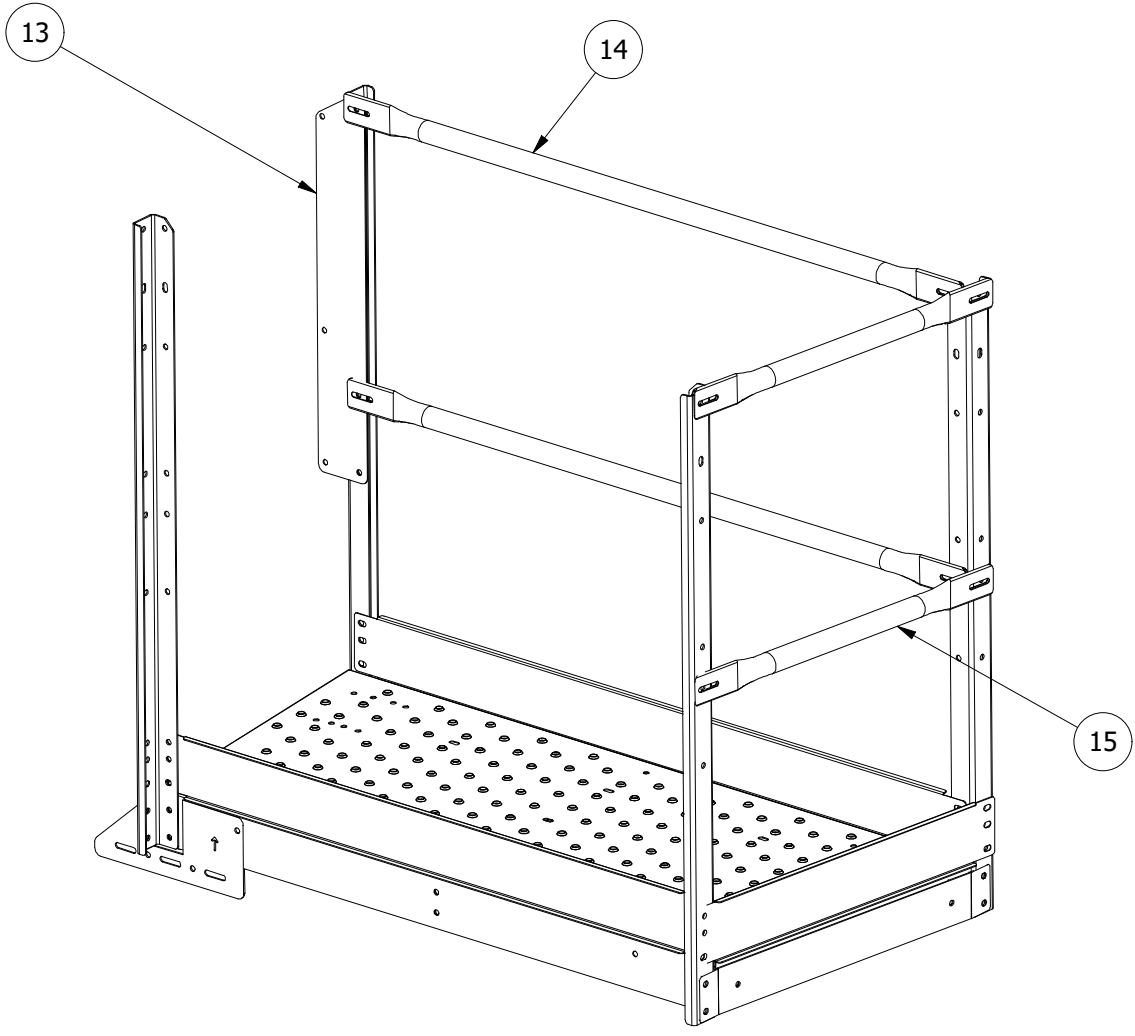
**C-Series Farm
Platform Assembly
Railing**

PARTS LIST			
ITEM	QTY	PART NUMBER	DESCRIPTION
13	1	CS-30010	Bracket, Plate, Handrail
14	2	TRS1505400	54" long 1.5 in tube railing slotted end tabs
15	2	TRS1502800	28 Long 1.5 in tube railing slotted end tabs



Weep holes down

Handrail plate between post
and platform rail

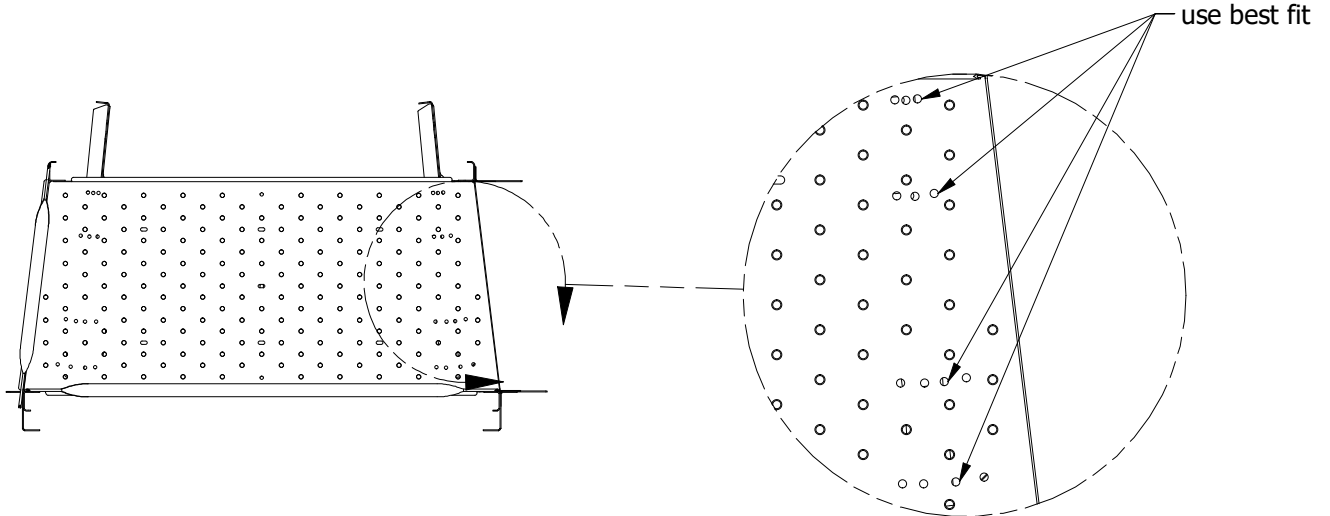


C-Series Commercial Platform Assembly

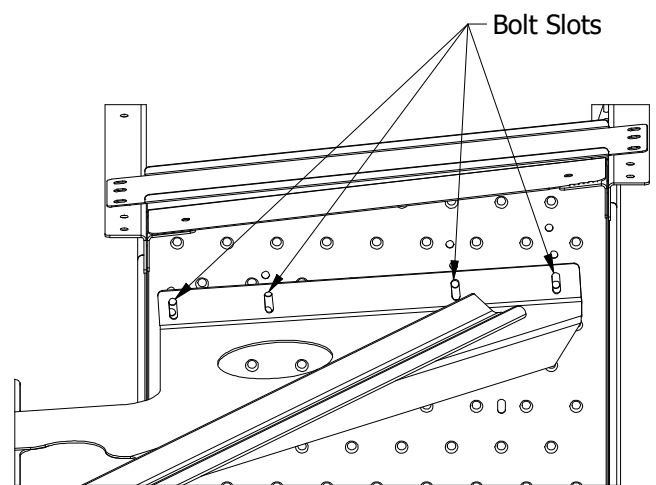
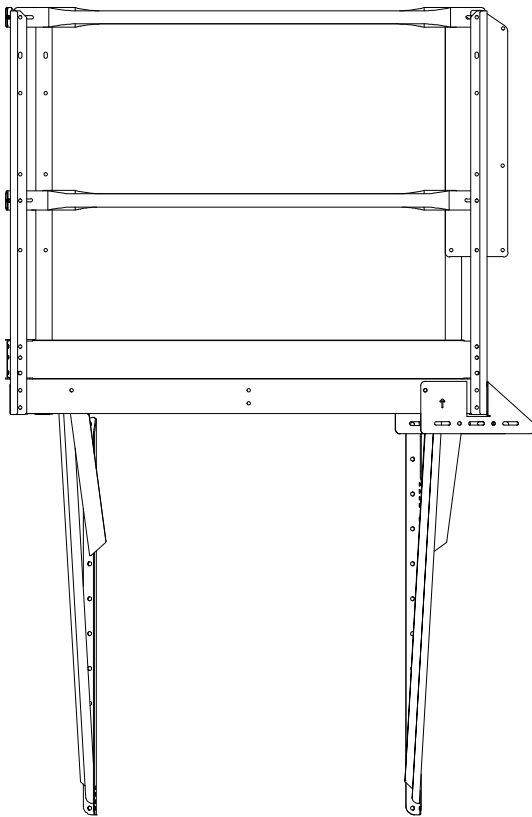
Center the platform assembly on top of the A-frame wall mounts.

Use 4 bolts to attach each wall mount plate to the platform.

Use the bolt holes in the platform that best align with the A-frame mounts, this will vary according to the bin diameter.

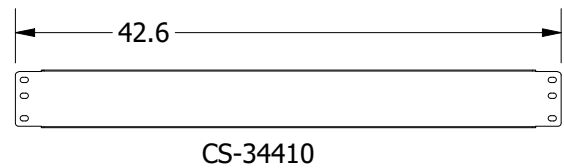
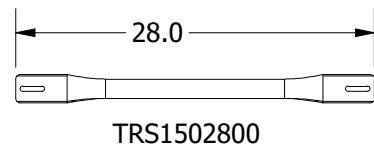
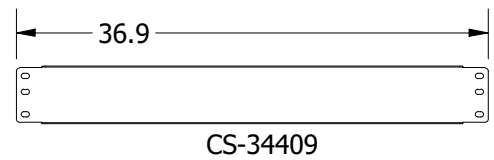
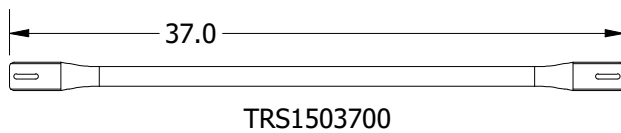
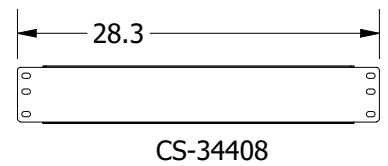
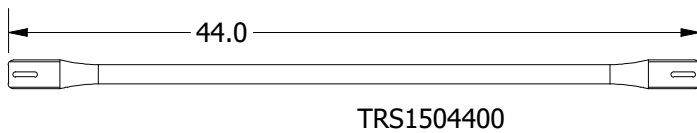
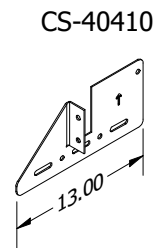
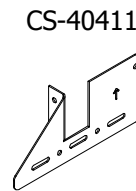
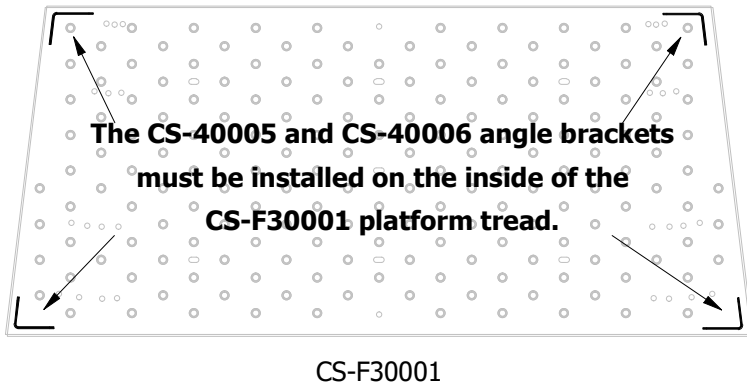
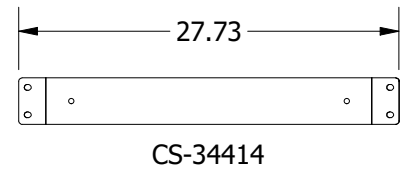
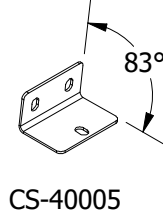
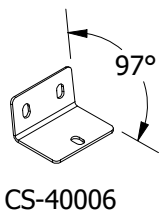
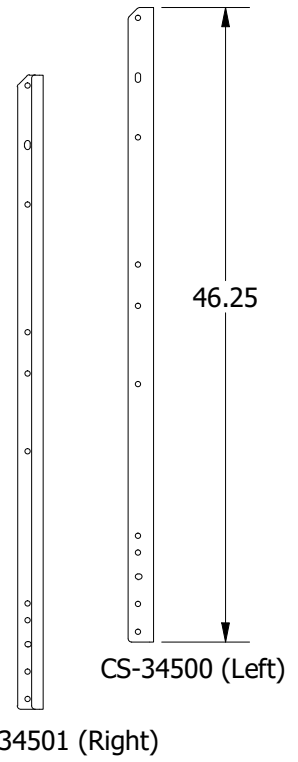
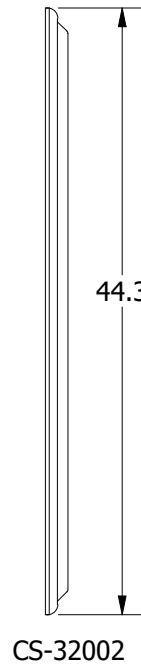
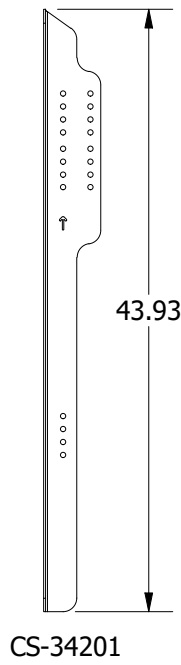
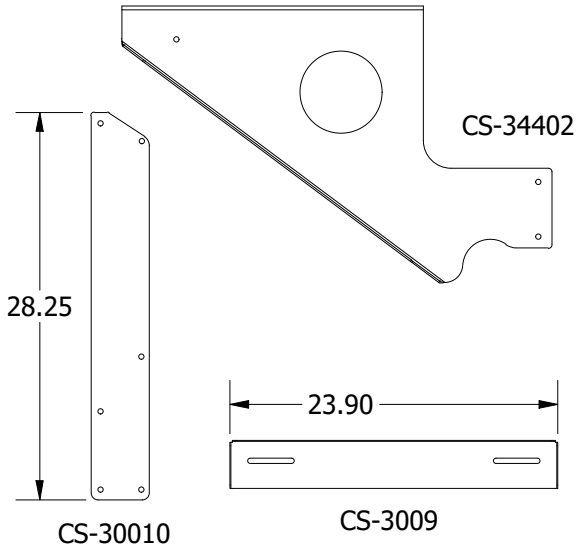


Bolt detail



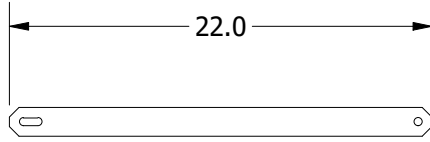
**Underside View of
Platform Attachment**

CF3542L Long Platform
Parts ID Reference (scale 1:14)

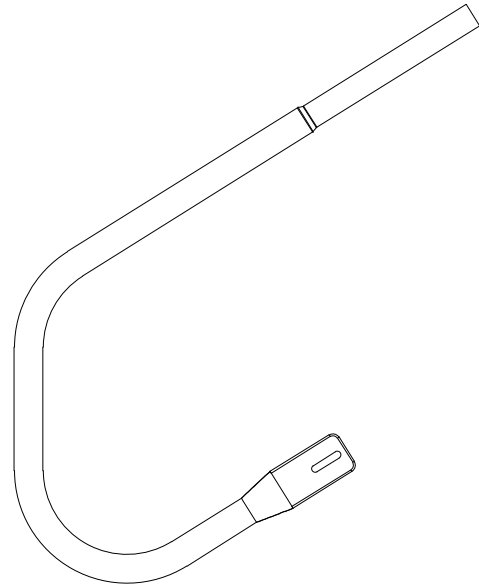


CF3542L Top Platform Package

Additional Stair Components

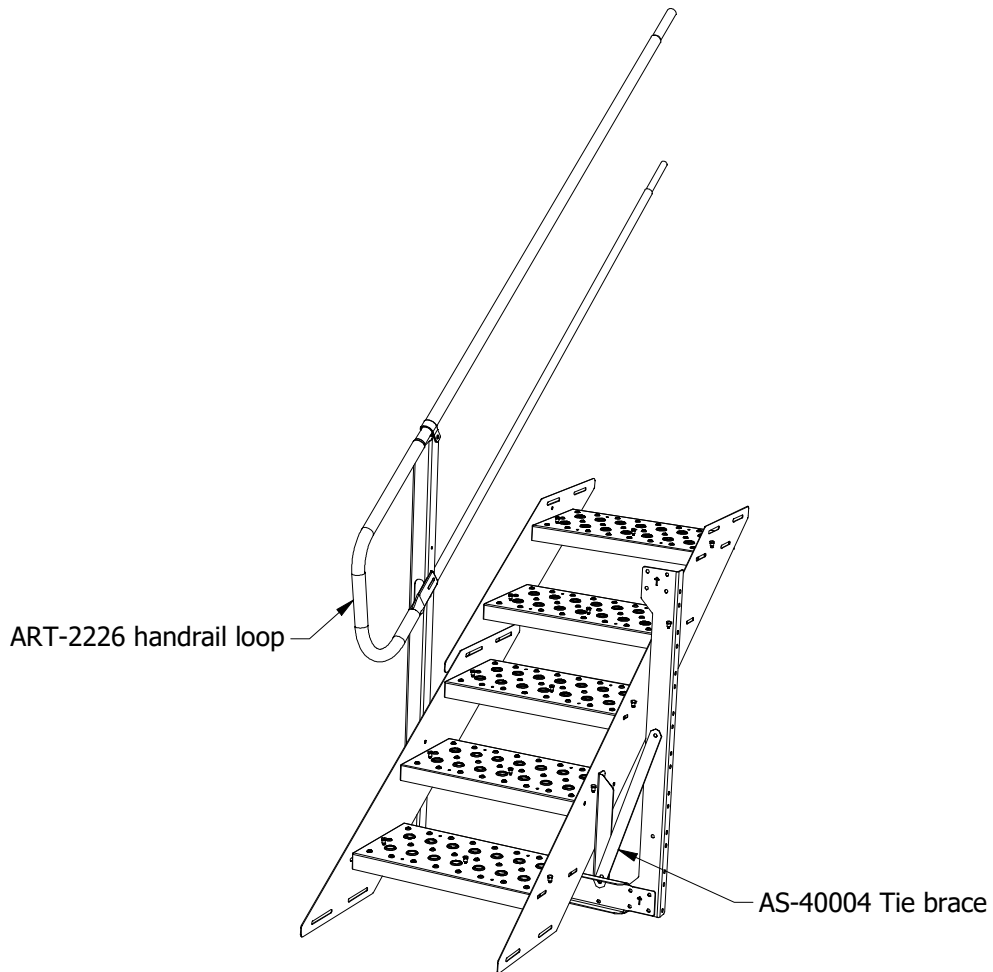


AS-40004



ART-2226

These parts are included in the top platform package for use in the bottom stair section, see page 27



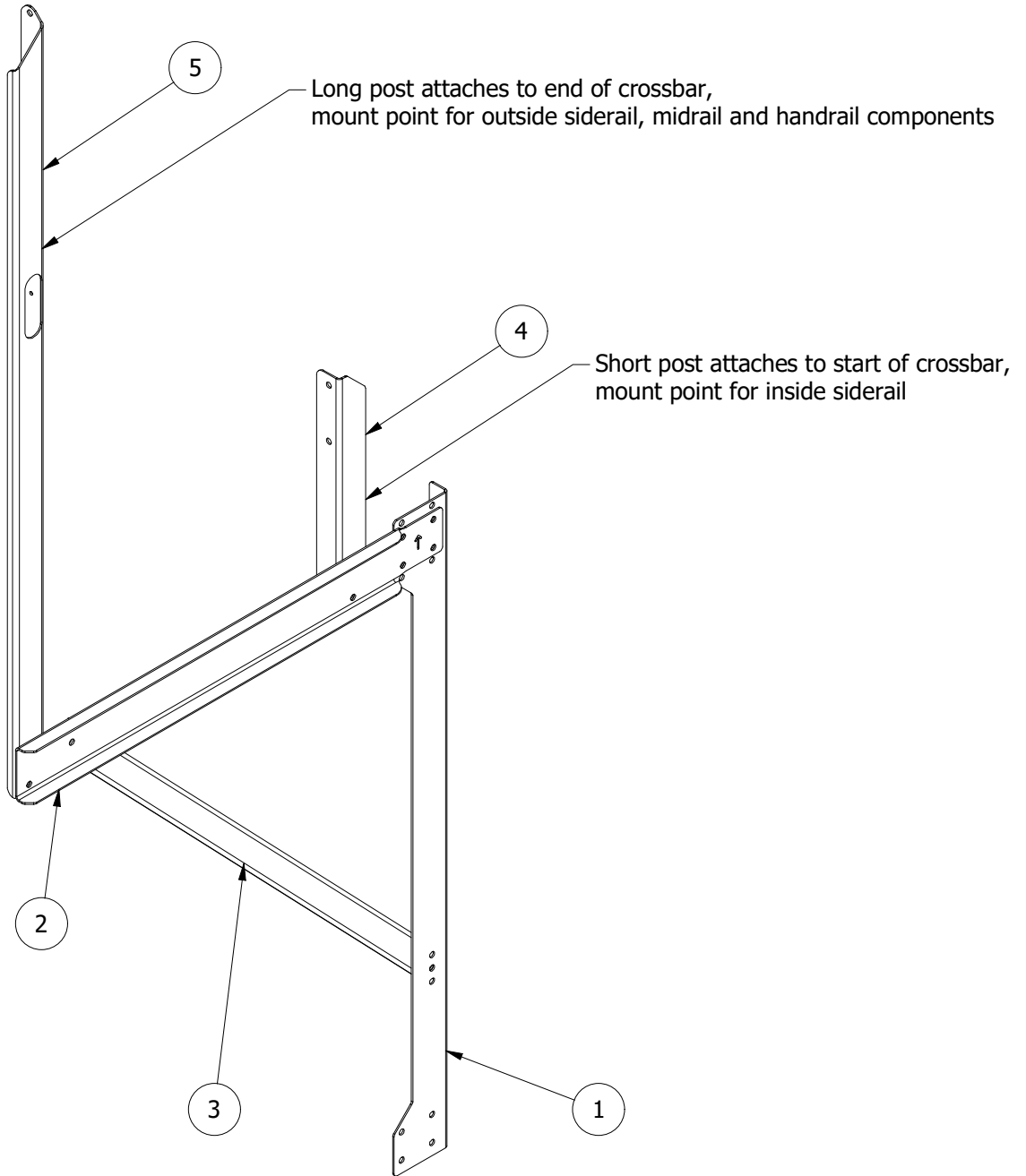
ART-2226 handrail loop

AS-40004 Tie brace

Attaching the Posts to the stair A-Frame

PARTS LIST

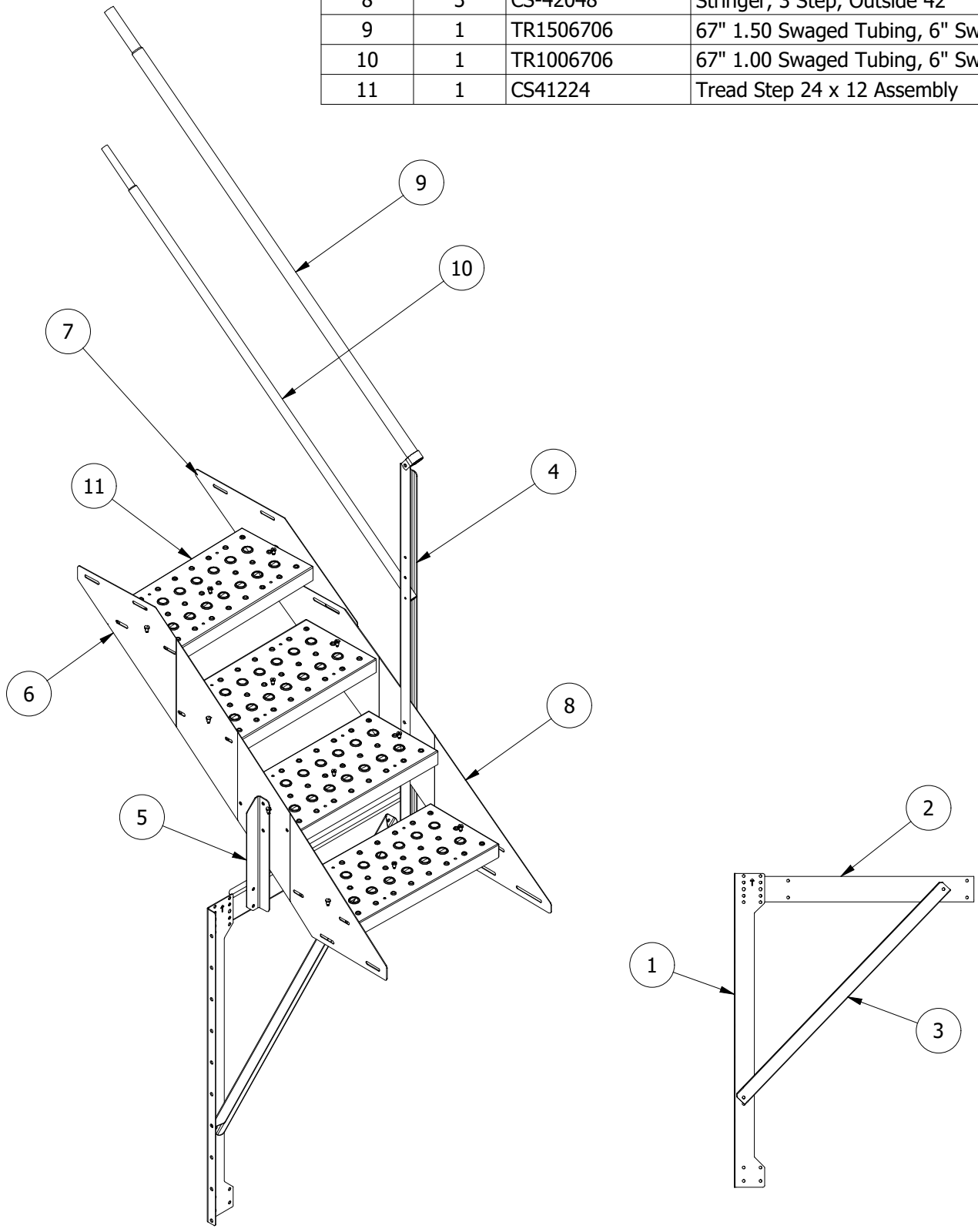
ITEM	QTY	PART NUMBER	DESCRIPTION
1	1	CS-42001	Bracket, Wall, 42" ring
2	1	CS-42002	Channel, Crossbar
3	1	CS-32002	Channel, K-Brace, C-Series
4	1	CS-F40001	Post, Inside (Farm)
5	1	CS-F40011	Post, Outside (Farm)



CF4204
4-step Stair Section

PARTS LIST

ITEM	QTY	PART NUMBER	DESCRIPTION
1	1	CS-42001	Angle, Bracket, Platform 42.428
2	1	CS-40002	Channel, Crossbar
3	1	CS-32002	Channel, K-Brace, C-Series
4	1	CS-F40011	Post, Stair Rail, Outside
5	1	CS-F40001	Post, Stair, Inside
6	1	CS-42044	Stringer, 4 Step, Inside 42
7	1	CS-42046	Stringer, 1 Step, Outside 42
8	3	CS-42048	Stringer, 3 Step, Outside 42
9	1	TR1506706	67" 1.50 Swaged Tubing, 6" Swage
10	1	TR1006706	67" 1.00 Swaged Tubing, 6" Swage
11	1	CS41224	Tread Step 24 x 12 Assembly



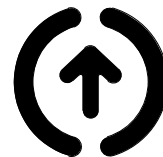
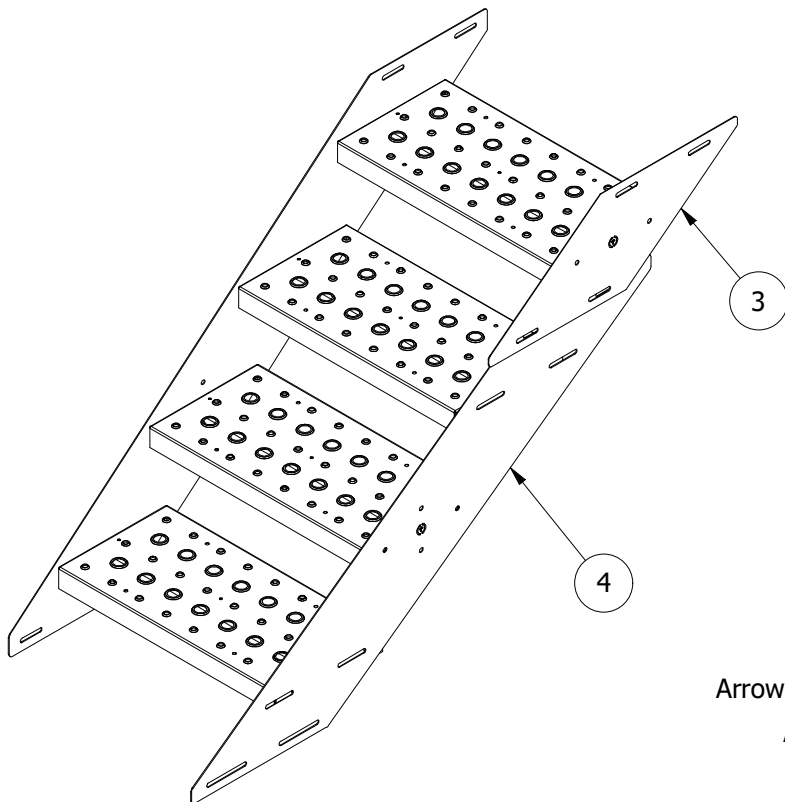
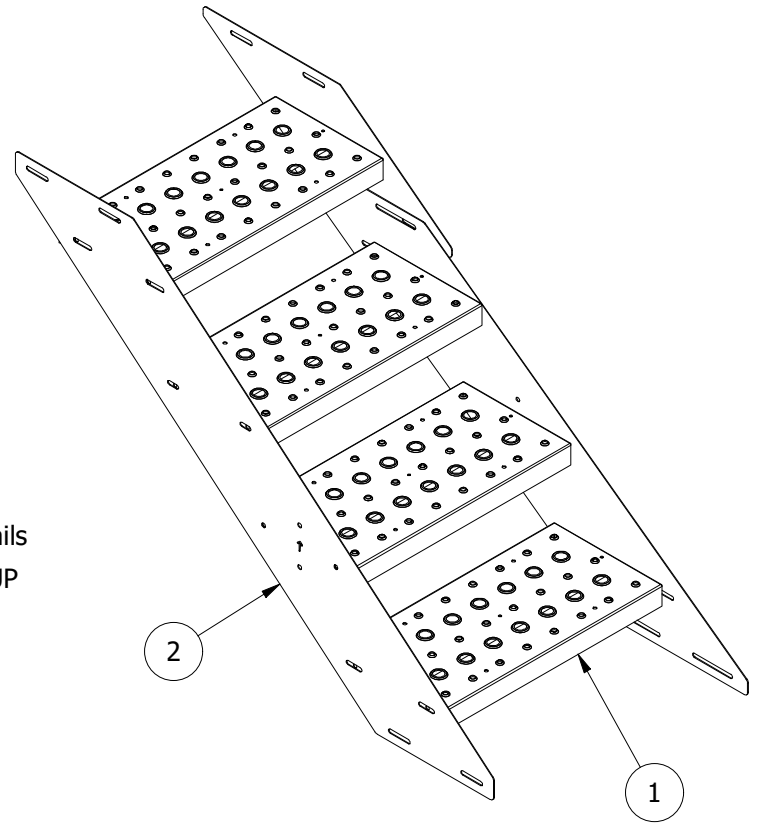
CF4204
4-step

On the CF4204 stair section,
the inside siderail is a one piece 4-step,
the outside siderail is a two piece, 3-step and 1-step.

PARTS LIST			
ITEM	QTY	PART NUMBER	DESCRIPTION
1	4	CS41224	Tread Step 24 x 12 Assembly
2	1	CS-42044	Stringer, Inside, 4 Step
3	1	CS-42046	Stringer, Outside, 1 Step
4	1	CS-42048	Stringer, Outside, 3 Step

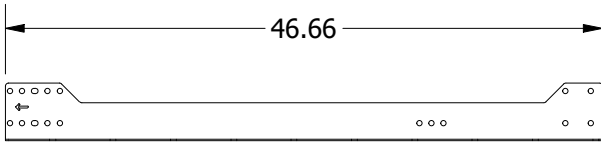


Arrow on Inside Siderails
Arrows Always Face UP

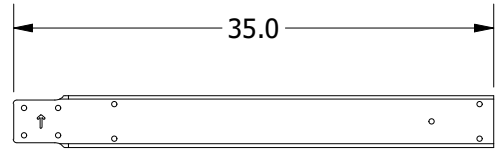


Arrow & Circle on Outside Siderails
Arrows Always Face UP

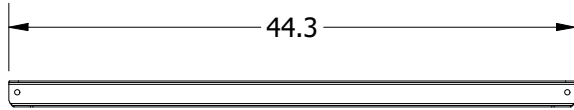
CF4204 Parts ID



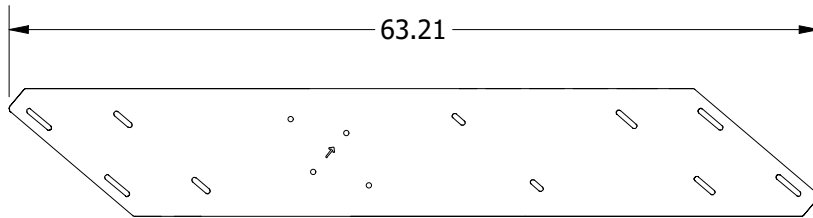
CS-42001



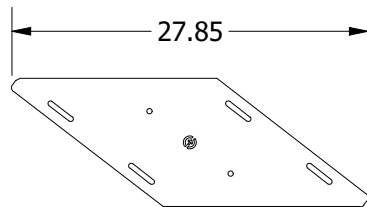
CS-40002



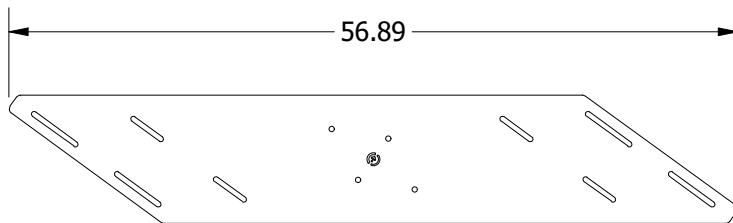
CS-32002



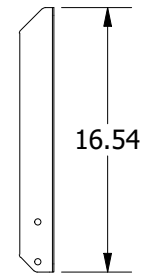
CS-42044



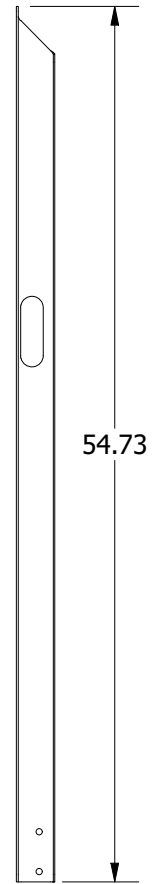
CS-42046



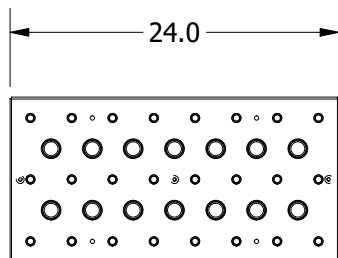
CS-42048



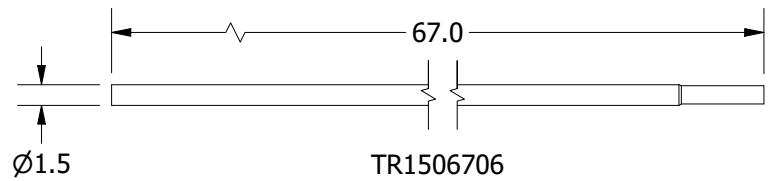
CS-F40001



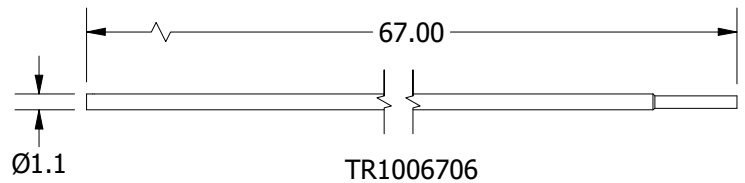
CS-F40011



CS41224



TR1506706



TR1006706

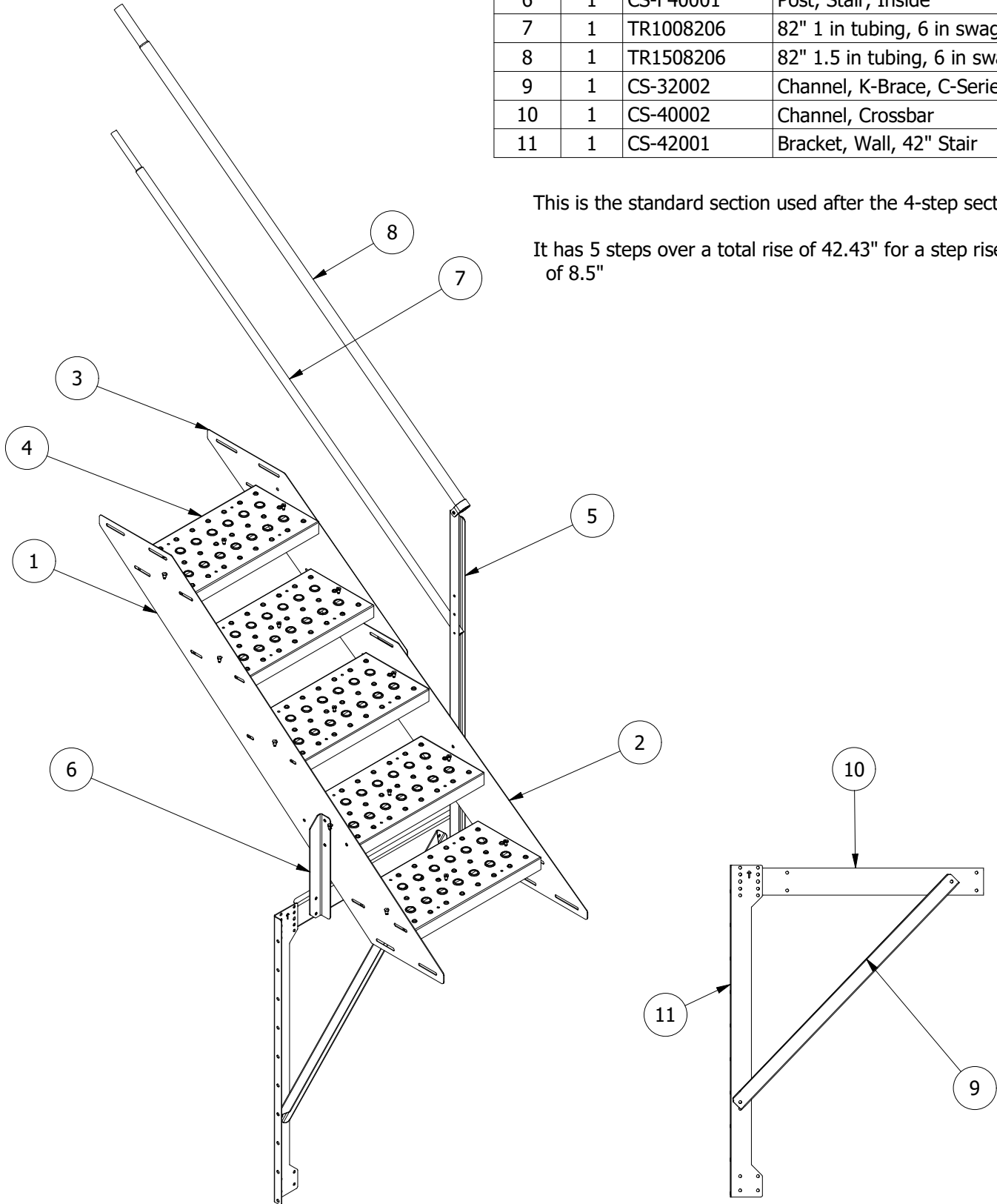
CF4200
5-step Stair Section

PARTS LIST

ITEM	QTY	PART NUMBER	DESCRIPTION
1	1	CS-42045	42 Stringer, Inside, 5 Step
2	1	CS-42048	42 Stringer, Outside, 3 Step
3	1	CS-42047	42 Stringer, Outside, 2 Step
4	5	CS-41224	Tread Step 24x12
5	1	CS-F40011	Post, Stair Rail, Outside
6	1	CS-F40001	Post, Stair, Inside
7	1	TR1008206	82" 1 in tubing, 6 in swage
8	1	TR1508206	82" 1.5 in tubing, 6 in swage
9	1	CS-32002	Channel, K-Brace, C-Series
10	1	CS-40002	Channel, Crossbar
11	1	CS-42001	Bracket, Wall, 42" Stair

This is the standard section used after the 4-step section

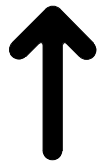
It has 5 steps over a total rise of 42.43" for a step rise of 8.5"



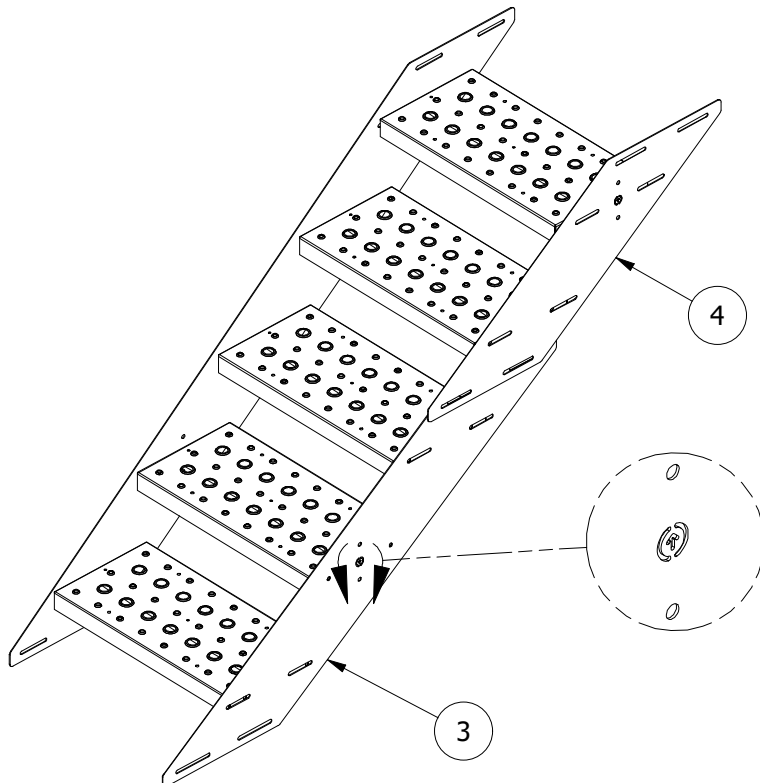
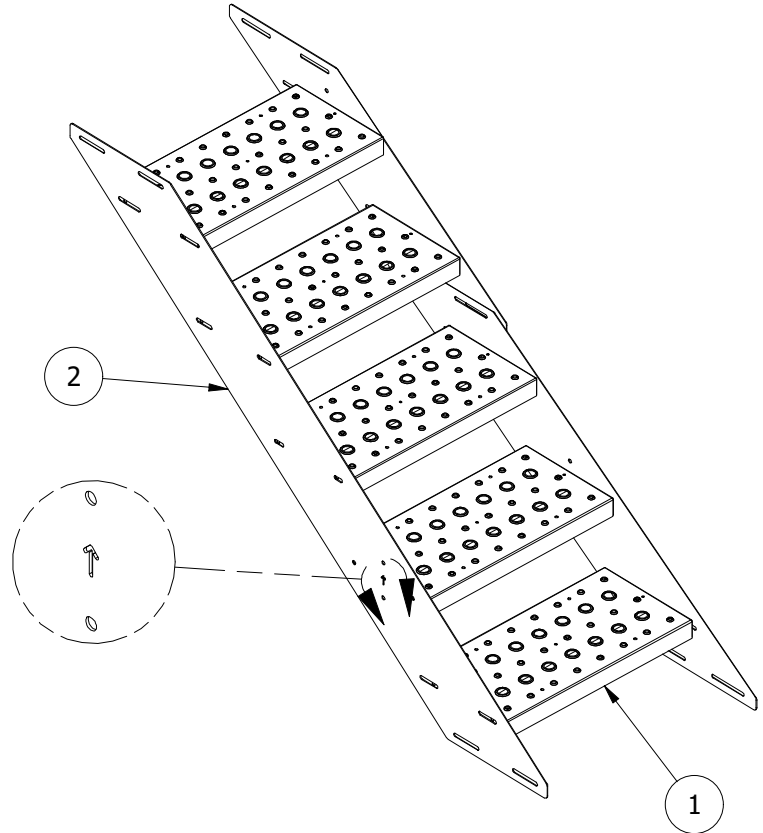
CF4200
5-step

PARTS LIST			
ITEM	QTY	PART NUMBER	DESCRIPTION
1	5	CS41224	Tread Step 24 x 12 Assembly
2	1	CS-42045	Stringer, Inside, 5 Step
3	1	CS-42048	Stringer, Outside, 3 Step
4	1	CS-42047	Stringer, Outside 2 Step

On the CF4200 stair section,
the inside siderail is a one piece 5-step,
the outside siderail is a two piece, 3-step and 2-step.



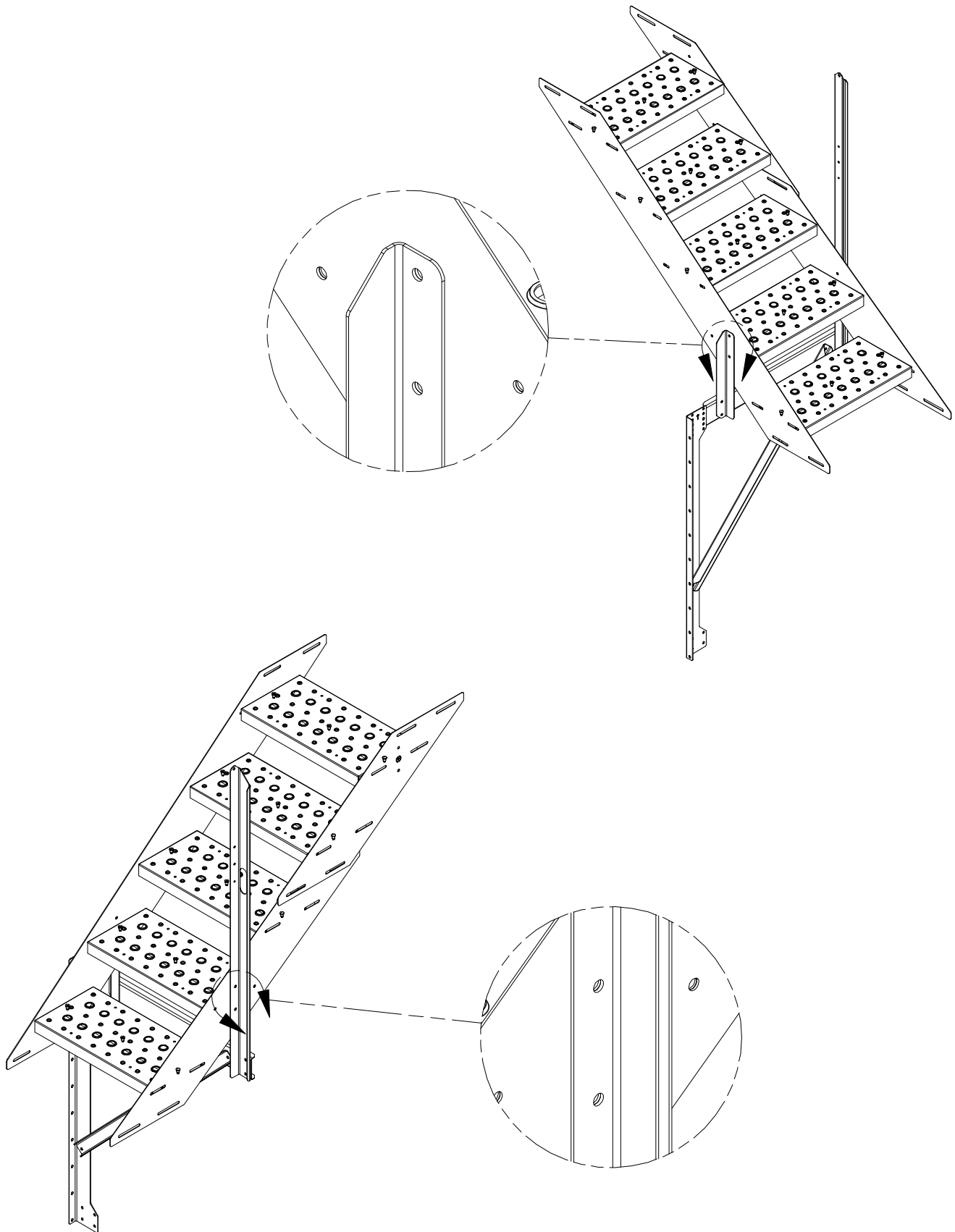
Arrow on Inside Siderails
Arrows Always Face UP



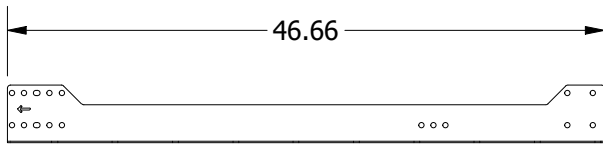
Arrow & Circle on Outside Siderails
Arrows Always Face UP

Attaching the Stair Section to the A-Frame Assembly

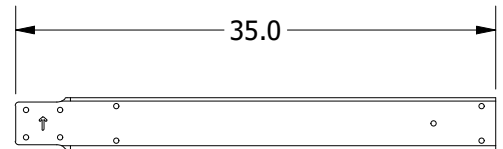
Attach the inside and outside posts to the siderails at the 2nd step from the bottom. Bolt in the holes shown in detail views.



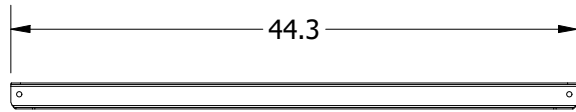
CF4200 Parts ID



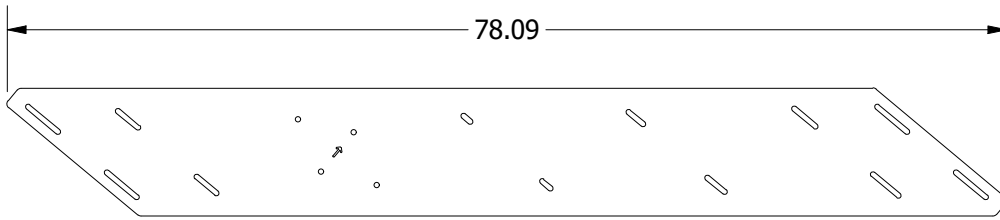
CS-42001



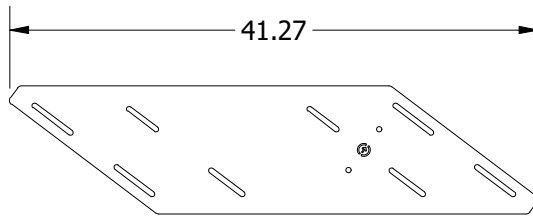
CS-40002



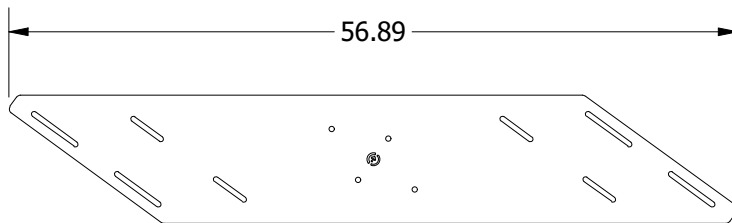
CS-32002



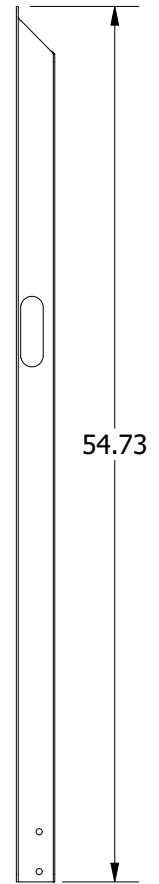
CS-42045



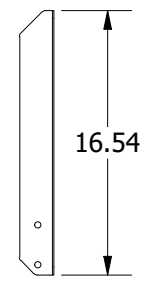
CS-42047



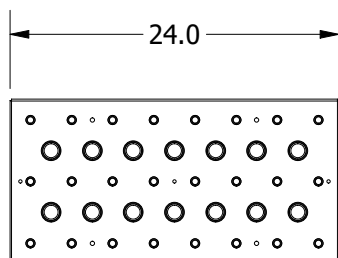
CS-42048



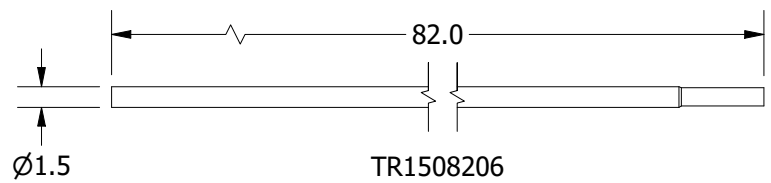
CS-F40011



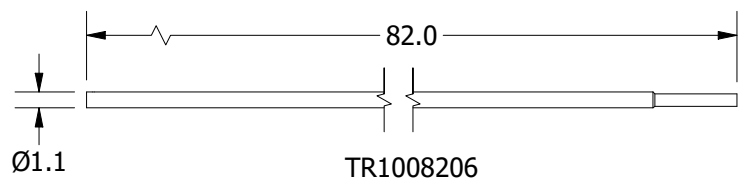
CS-F40001



CS41224



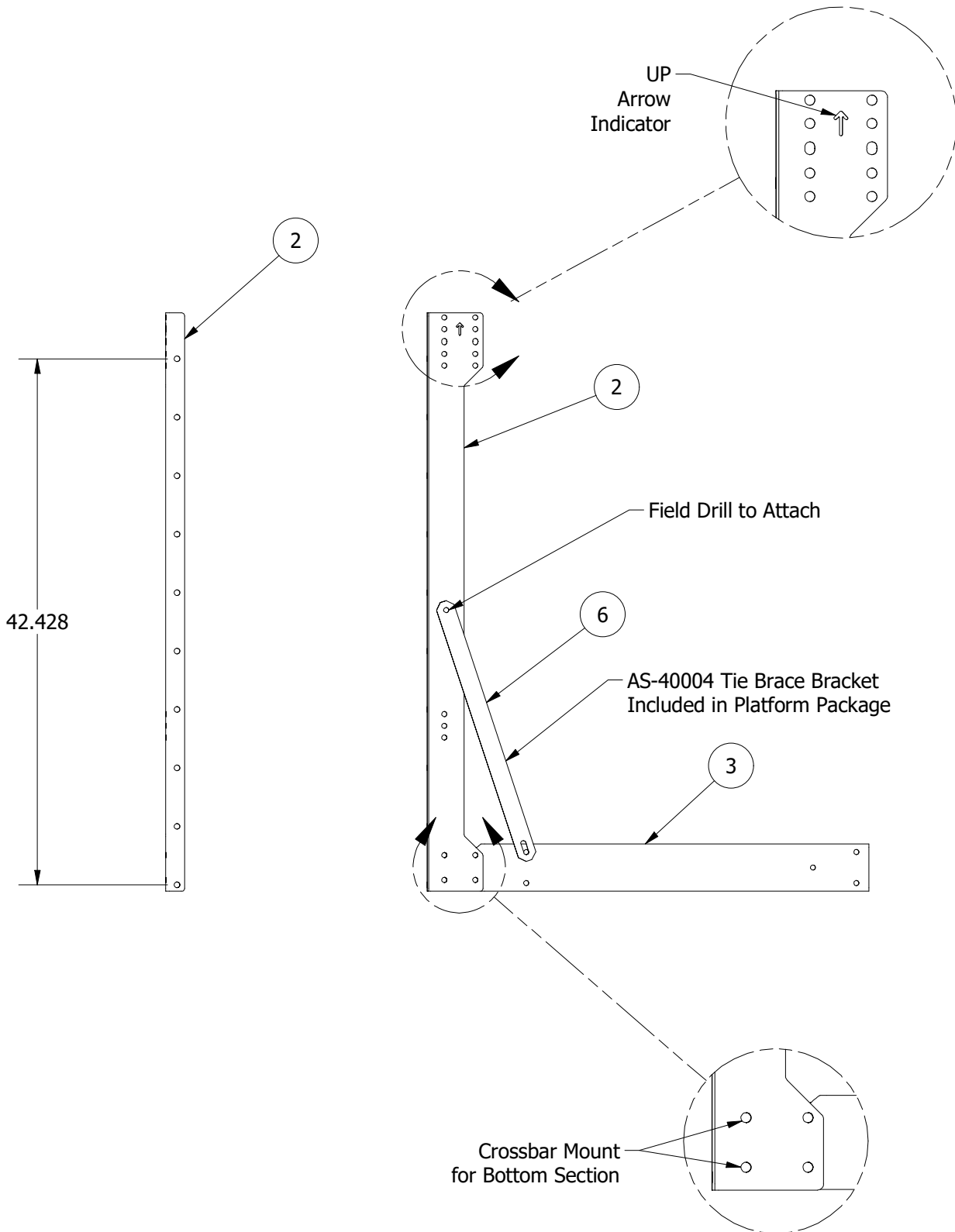
TR1508206



TR1008206

A-Frame Bottom Section

PARTS LIST			
ITEM	QTY	PART NUMBER	DESCRIPTION
2	1	CS-42001	Bracket, Wall, 42" ring
3	1	CS-40002	Channel, Crossbar
6	1	AS-40004	Bracket, Tie Brace

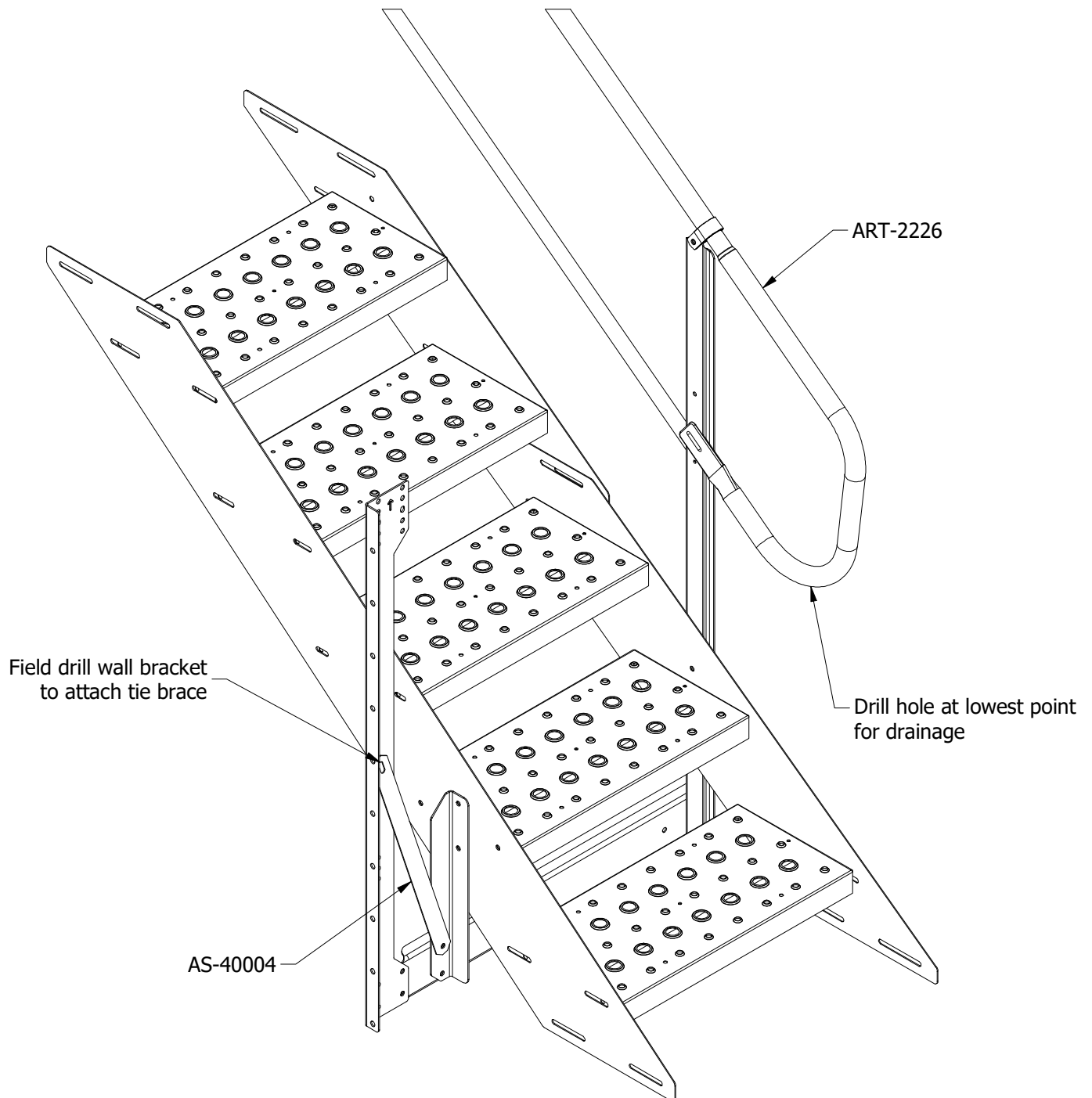


Bottom Stair Section Assembly

The AS-40004 tie brace and ART-2226 bottom end rail are included in the stair platform package.

Attach the tie brace to the inside post and field drill and bolt to the wall bracket as shown.

Install the bottom end rail into the stair handrail. Attach the flattened end to the stair post as shown. Drill a hole at the lowest point for drainage.



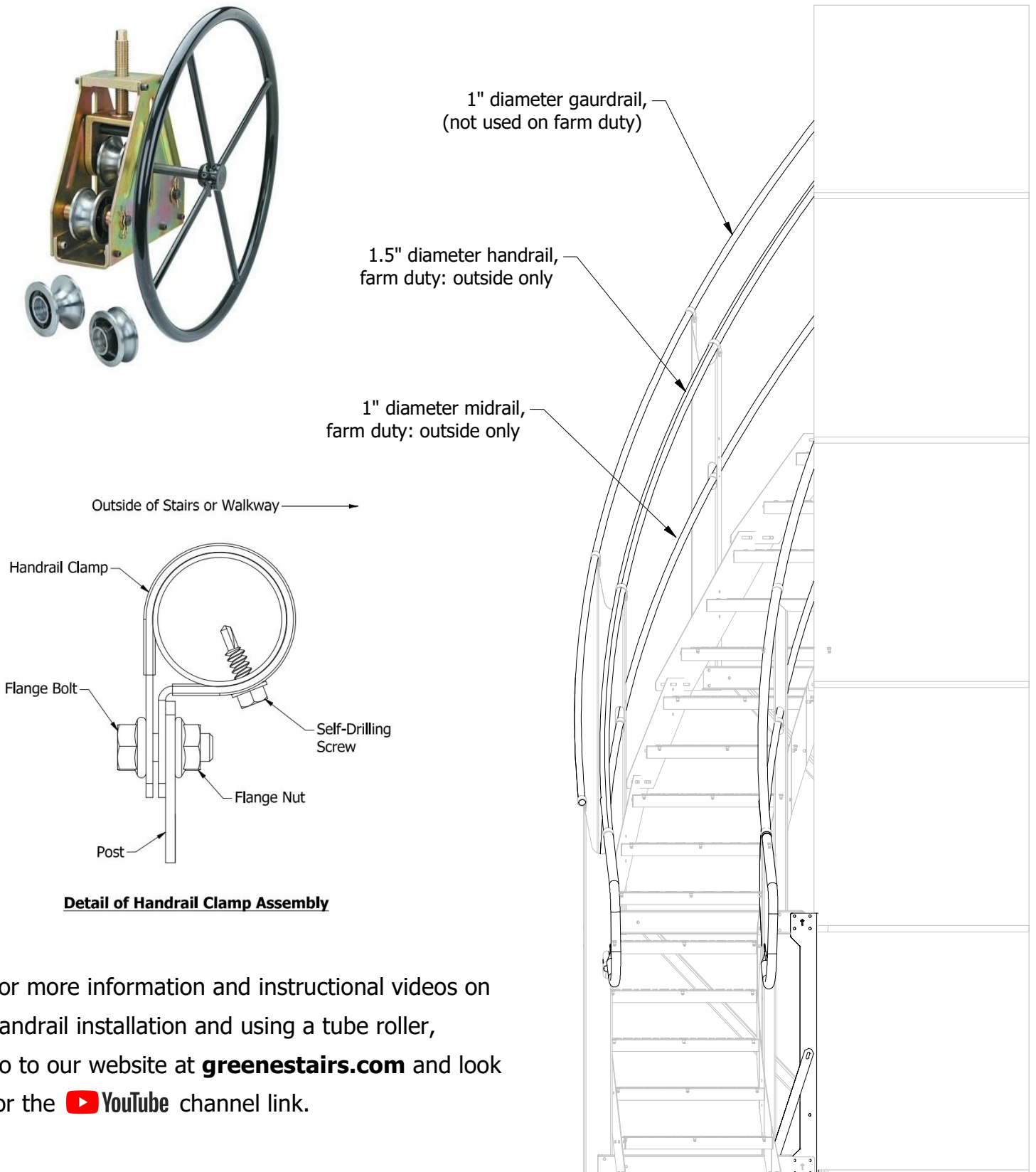
Installing Handrails


It is recommended to use a Tube Roller Former as shown in the picture; form inside rails to match bin sheet curvature, form outside rails with slightly less bend.

Alternatively, use an assembled stair section to brace one end of each tube and bend rails by hand

The swaged ends of the rails should point up the stairs.

Example: Commercial Sidewall Stairs



For more information and instructional videos on handrail installation and using a tube roller, go to our website at greenestairs.com and look for the  YouTube channel link.

C-Series Platform Handrail

Use the CS-30010 Handrail plate to terminate railing and guarding components
(Note that the reference picture depicts some components which are not used on Farm Duty)

