

ADC Products

TS-LD SERIES

-High Precision Light Duty Tilt Stages-

March 2020



SPECIFICATIONS

The TS-LD Series tilt stage(s) provide a rigid, accurate motion for general goniometric use. The TS-LD Series is stepper motor driven, guided with curved linear bearings, and has a rugged anodized aluminum body. The top and bottom mounting surfaces are precision ground to provide an optimal interface. The TS-LD Series uses curved crossed roller bearings for the highest possible rigidity and profiled trajectory. The drive mechanism is a precision ground worm wheel segment and stepper motor driven worm.

MECHANICAL

Specification	TS50	TS90	TS160
Travel Range (°)	+/-10	+/-10	+/-10
Gear Reduction	360:1	360:1	360:1
Repeatability (µrad RMS)	280	280	160
Trajectory Straightness (µm/25mm)	5	5	5
Runnout (µm)	3	3	15
Full Step Resolution (µrad)	26	28	27
Load Capacity (kg)	84	188	268

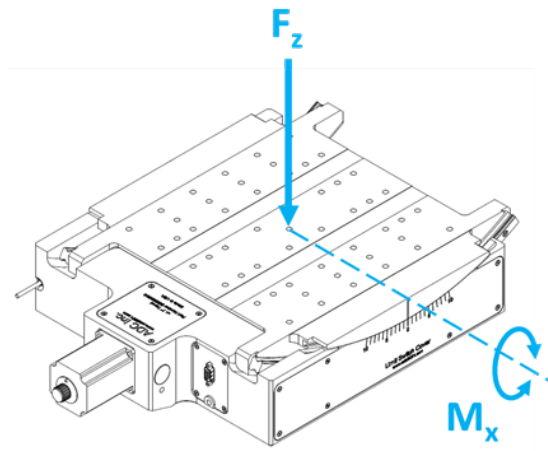
ELECTRICAL

Motor	Limit Switches	Optical Encoder
2-Phase; 5-Phase Stepper; DC	Mechanical, Normally Closed	Renishaw Tonic Series

LOAD CHARACTERISTICS

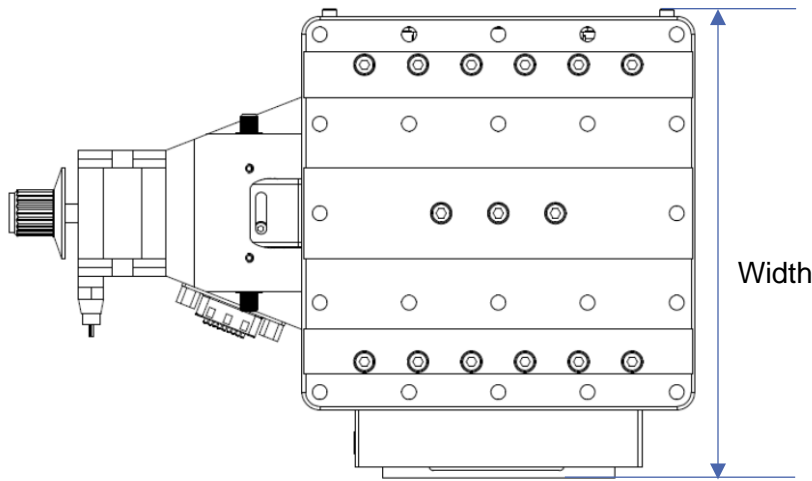
F_x (kN)*	M_x (Nm)
450, 1700, 2500	5

*For eccentric maximum load, contact ADC engineering.

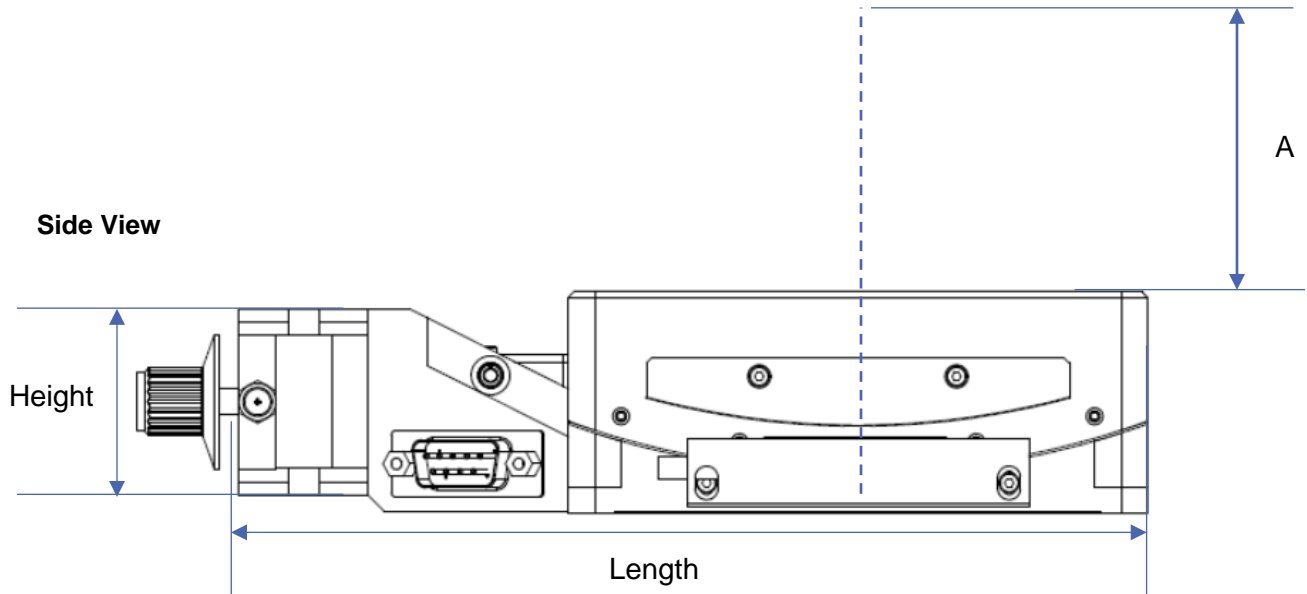


DIMENSIONS

Top View



Side View



(mm)	Length	Width	Height	A	Mounting Surface	Curvature of Rails
TS-50	170	87	41	18	85x85	50
TS-90	170	106	40	59	85x85	90
TS-160	192	112	42	130	110x110	160

ORDERING INFORMATION

Tilt Stages can be ordered with different configurations. Please use the codes provided below when ordering. Please call or e-mail to ask about any other customization required.

TS-HD (Heavy Duty Tilt Stage)	TS-50	TS-90	TS-160
Air Preparation Options	-A (Standard Air Stage) -V (Vacuum Stage; ask about options when placing order)		
Encoder Options	-E (With Encoder) -N (Without Encoder)		
Brake Options	-B (With Brake, 24VDC) -N (Without Brake)		
Motor Options	-2PH (Standard 2 Phase Bi-Polar Stepper Motor) -5PH (5 Phase Stepper Motor) -DC (DC Motor)		

Example Order:
TS50-A-E-N-5PH

This is an order for a TS50 Precision Goniometer with in air, with an encoder, with no brake, and a 5-phase motor.

OTHER ADC STAGES



Linear Stages	Lift Stages
DS210	DJ210
DS310	DJ310
DS410	DJ410
DS510	BJ10
	BJ25
Tilt Stages/ Goniometers	Rotation Stages
TS-50	RS-100
TS-90	RS-200
TS-160	RS-300
TS-300	RS-400
TS-400	RS-500
TS-565	
TS-700	

