

PRODUCT CATALOG

1.866.648.9336

www.simtekfence.com

THE SIMTEK ADVANTAGE

SimTek has reinvented fence manufacturing with its patented design of rotationally-molded fencing allowing realistic granite-stone appearance and superior performance.

What makes our **EcoStone** fence unique?



Patented Construction

Made with proprietary Linear Low Density Polyethylene Plastic (LLDPE) and reinforced with galvanized steel



Superior Wind Rating

Can withstand constant hurricane force winds up to 110 mph and 130 mph gusts - meets Miami-Dade County wind load requirements



Excellent Sound Barrier

Blocks 98% of direct sound - with an (STC) sound transmission class of 26



Durable in Any Temperature

Very stable in hot and cold extremes. Has been tested and performs well at temperatures ranging from -40 F to 140 F



Fade Resistant

Contains UV-12 inhibitors for a lifetime of vibrant colors



Solid Privacy and Security

EcoStone provides exceptional privacy and security for your loved ones



Easy Installation

One of the most user-friendly fences on the market



Graffiti Resistant

Graffiti is easily removed using a high-powered pressure washer



Eco-Friendly

EcoStone is made with recycled and recyclable polyethylene plastic



Maintenance-Free

EcoStone will never need painting, staining and will not warp, fade or crack



Twenty-five Year & Lifetime Warranty

A maintenance-free solution. Twenty-five and lifetime warranties available



Made in the USA

Proudly made in the United States of America



EcoStone

ENHANCE YOUR SURROUNDINGS

THE BEAUTY AND DURABILITY OF **STONE**



ADD **VALUE** TO YOUR HOME

- **SOLID PRIVACY AND SECURITY FOR YOUR LOVED ONES**
- **EASY TO INSTALL**
- **EXTREMELY DURABLE IN ANY TEMPERATURE**
- **ECO-FRIENDLY**

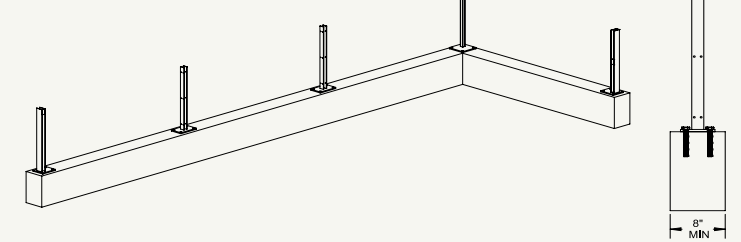


ENGINEERED GATES

CONCRETE SURFACE MOUNTS



Concrete Mounting Brackets

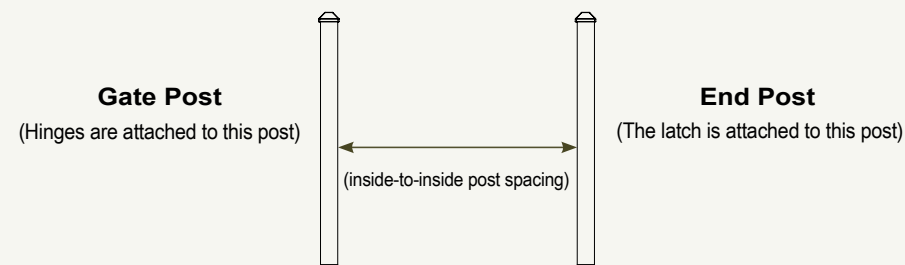


- EcoStone may be mounted on concrete or a retaining wall by using our engineered concrete mounting brackets and decorative skirts
- For more information and specifications, please visit our website at www.simtekfence.com



Steel Reinforced Gates

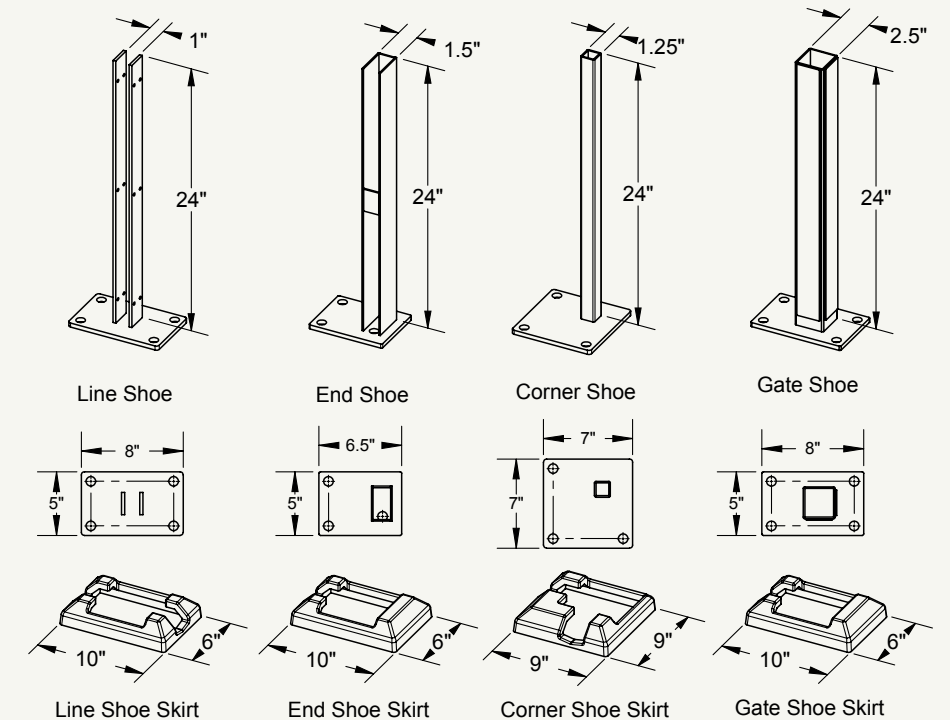
- Gates come in 3ft, 4ft, 5ft and 6ft widths and may be double hung for 7ft, 8ft, 9ft, 10ft, 11ft or 12ft openings
- Internal steel frame provides an extra rigid structure
- Hinges thread directly into the interior metal frame of the gate
- Our spring loaded, self-closing hinges meet national pool codes



Gate Width	Single Opening	Double Drive w/3' Gate	Double Drive w/4' Gate	Double Drive w/5' Gate	Double Drive w/6' Gate
3ft Wide Gate	38.5"	76.0"	88.0"	100.0"	112.0"
4ft Wide Gate	50.5"	88.0"	100.0"	112.0"	124.0"
5ft Wide Gate	62.5"	99.5"	111.5"	122.5"	134.5"
6ft Wide Gate	73.5"	110.5"	123.5"	134.5"	145.5"



Concrete Surface Mounts & Cover Skirts



Line Shoe Skirt End Shoe Skirt Corner Shoe Skirt Gate Shoe Skirt

ECO-FRIENDLY AND MAINTENANCE-FREE COMMERCIAL SOLUTIONS



ENHANCE YOUR PROPERTY

- EXCELLENT SOUND BARRIER WITH AN STC RATING OF 26
- GRAFFITI RESISTANT
- EXTREMELY DURABLE WITH SUPERIOR STRENGTH
- RESISTS HURRICANE FORCE WINDS





PANELS

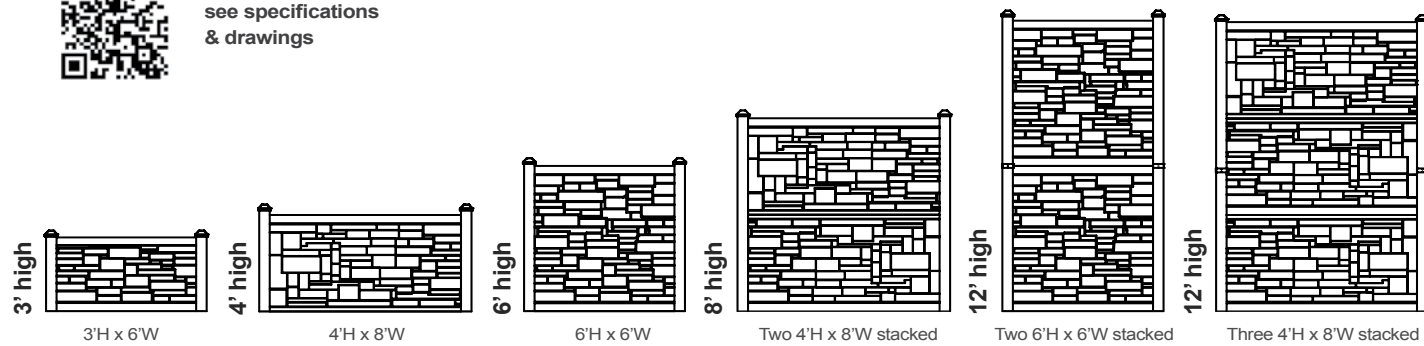
- Panels come in 3ft x 6ft, 6ft x 6ft, and 4ft x 8ft
- All panels contain high-grade galvanized steel in both top and bottom rails
- Panel heights cannot be modified; however, panels can be cut to any custom width
- Our panels have been engineered to allow stacking to create 8ft, 12ft and 16ft high walls

POSTS

- Posts come in 8.5ft and 12ft heights and have a five-inch outer diameter
- All posts contain full-length internal molded steel stiffeners for optimum strength
- Posts are made from 50% recycled polyethylene plastic
- For 12ft, and 16ft high projects, we supply metal I-beams with matching plastic posts sleeves



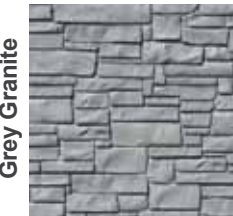
Scan QR Code to see specifications & drawings



Brown Granite



Dark Brown Granite



Grey Granite



Beige Granite



Black Granite



Desert Granite



White Granite

CREATE THE YARD OF YOUR DREAMS

1. VIEW OUR PHOTO GALLERY ONLINE

Check out our website, www.simtekfence.com and visit our photo galleries for project ideas and inspiration.

2. DESIGN YOUR OWN FENCE

Create you own fence by using our fence calculator. This tool will provide all the materials you will need for your fence project.

3. ORDER COLOR SAMPLES

Go online and request more product info or call our toll-free number: 1.866.648.9336. Our representatives will be happy to assist you.



Scan QR Code and request a free color sample

www.simtekfence.com



NOA Approval
12-125.02



Since 2007

U.S. Patents
7,478,797 / 7,635,114
Foreign Patents Pending

Toll Free 1.866.648.9336
Tel. 1.801.655.5236
Fax 1.801.655.5240
www.simtekfence.com



Corporate Headquarters

**SimTek Fence
1330 West 400 North
Orem, UT 84057
Toll Free 1.866.648.9336
Tel. 1.801.655.5236
Fax 1.801.655.5240
info@simtekfence.com
www.simtekfence.com**

Authorized Dealer