



**PARTS LIST**  
**COUNTER CONVECTION STEAMERS**  
**MODELS: SX-3**  
**SX-5**



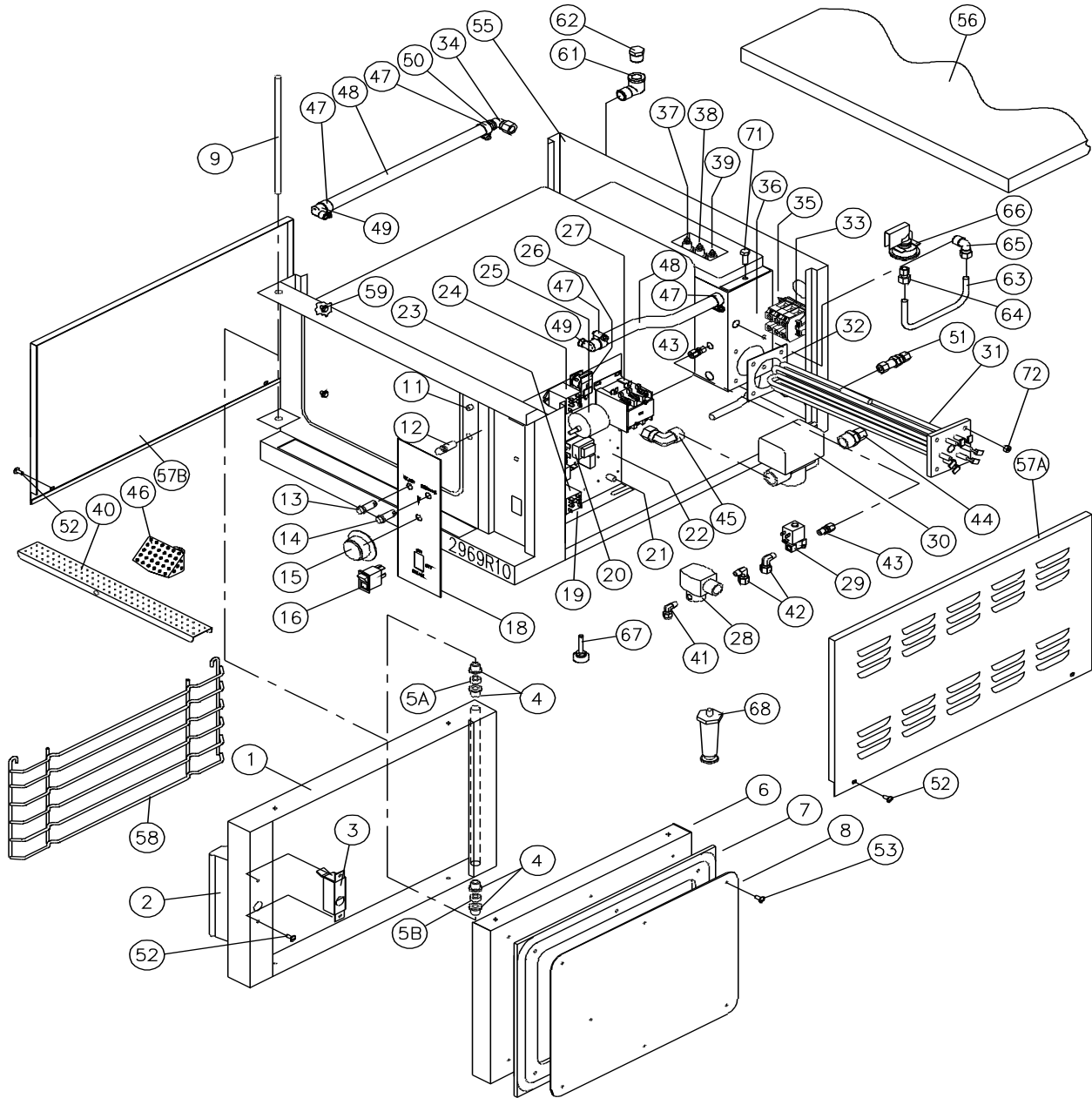
**SOLARIS STEAM**

TELEPHONE: (704) 900-2068

PARTS LIST, COUNTER CONVECTION STEAMERS, MODELS SX-3, SX-5

**GENERAL ASSEMBLY**

**FIGURE 1**



PARTS LIST, COUNTER CONVECTION STEAMERS, MODELS SX-3, SX-5

<u>ITEM</u>	<u>PART NUMBER</u>	<u>DESCRIPTION</u>	<u>QUANTITY</u>		
			<u>SX-3</u>	<u>SX-5</u>	
*	1A.	8-5076-9	Door Assembly	1	
		8-5076-8	Door Assembly		1
	1.	8-5060-9	Door Frame	1	
		8-5060-8	Door Frame		1
	2.	3903-2	Door Handle Assembly	1	1
*		3646-1	Decal	1	1
*		4090-2	Door Handle	1	1
*		4089-2	Door Handle Plate	1	1
*		M68S-1420-134	Hex Socket Cap Screw, 1/4-20 UNC x 1-3/4 Lg.	2	2
*		M68S-1420-34	Hex Socket Hd. Screw, 1/4-20 UNC x 3/4 Lg.	1	1
*		4088-1	Spacer, Door Handle	2	2
*		S05N-14	Lock Washer, 1/4	2	2
*		9030-1	Hex Nut, 1/4 - 20	2	2
	3.	8-5068-9	Latch Assembly	1	1
	4.	8-5078	Door Bushing	4	4
	5A.	5716-1	Spacer - Door Upper	1	1
	5B.	5717-1	Spacer - Door Lower	1	1
	6.	8-5065-9	Door Panel	1	
		8-5065-8	Door Panel		1
	7.	8-5063-9	Door Gasket	1	
		8-5063-8	Door Gasket		1
	8.	8-5064-9	Gasket Plate	1	
		8-5064-8	Gasket Plate		1

PARTS LIST, COUNTER CONVECTION STEAMERS, MODELS SX-3, SX-5

<u>ITEM</u>	<u>PART NUMBER</u>	<u>DESCRIPTION</u>	<u>QUANTITY</u>		
			<u>SX-3</u>	<u>SX-5</u>	
	9.	8-5077-9	Hinge Rod	1	
		8-5077-8	Hinge Rod		1
*	10.	5655-2	Steam Diverter Replacement Kit	2	2
	11.	9-3336	Actuator Complete With Retaining Rings	1	1
		9-3213	Limit Switch	1	1
	12.	8-5021	Striker	1	1
*		8-5022	Front Spacer	1	1
*		S05N-12	Lock Washer	1	1
*		1-89S0	Nut, 1/2-20 UNF, Stainless Steel	1	1
	13.	4-PL04-1	Pilot Light, Green	1	1
	14.	4-PL07-1	Pilot Light, Red	1	1
**	15.	4103-1	Timer Dial - 60 Minutes, 50 Hz, Optional	1	1
		4104-1	Timer Dial - 60 Minutes, 60 Hz	1	1
		9387-1	Timer Knob - 120 Minutes, 60 Hz, Optional	1	1
	16.	9124-1	Power Switch	1	1
*	17.	4195-3	Label, De-Lime (Rear of Unit)	1	1
**	18.	7219-1	Control Decal	1	
		7820-1	Control Decal - Continuous Steam, Optional	1	
		7344-1	Control Decal		1
		7821-1	Control Decal - Continuous Steam, Optional		1
	19.	2958-1	Component Mounting Board	1	1
**	20.	4038-3	Level Control Board, 10K OHM	1	1
		5230-2	Level Control Board, 1M OHM	2	2
	21.	9126-1	Thermostat - Operating	1	1

PARTS LIST, COUNTER CONVECTION STEAMERS, MODELS SX-3, SX-5

<u>ITEM</u>	<u>PART NUMBER</u>	<u>DESCRIPTION</u>	<u>QUANTITY</u>		
			<u>SX-3</u>	<u>SX-5</u>	
22.	9128-1	High Limit Thermostat	1	1	
23.	9332-2	Relay - DPDT, 240V, (Single Pole in Use)	1	1	
24.	9332-2	Relay - DPDT, 240V	1	1	
**	25.	4-T209-1	Timer, 60 Minutes, 240V	1	1
		9386-2	Timer, 120 Minutes, 240V, Optional	1	1
*		9109-1	Rotary Shaft Seal	1	1
	26.	4742-1	Buzzer, 230V	1	1
**	27.	4-CG42-1	Contactator - 4 Pole, 208, 220, 240V	1	1
		9348-208	Contactator - 3 Pole, 380, 415, 480, 600V 380/220, 415/240	1	1
	28.	3-S162-1	Cooling Solenoid, 240V	1	1
	29.	5162-2	Fill Solenoid, 240V	1	1
	30.	3-S543-1	Blowdown Solenoid, 240V	1	1
**	31.	8-5208	Element Assembly, 7.5 kW, 208V	1	
		8-5220	Element Assembly, 7.5 kW, 220 (380)V	1	
		8-5240	Element Assembly, 7.5 kW, 240 (415)V	1	
		8-5287	Element Assembly, 7.5 kW, 480 (277)V	1	
		8-5347	Element Assembly, 7.5 kW, 600 (347)V	1	
		8-5050	Element Assembly, 10 kW, 208V	1	
		8-5056	Element Assembly, 10 kW, 220 (380)V	1	
		8-5051	Element Assembly, 10 kW, 240 (415)V	1	
		8-5052	Element Assembly, 10 kW, 480 (277)V	1	
		8-5347-1	Element Assembly, 10 kW, 600 (347)V	1	
		2349-1208	Element Assembly, 12 kW, 208V		1
		2349-1220	Element Assembly, 12 kW, 220 (380)V		1
		2349-1240	Element Assembly, 12 kW, 240 (415)V		1

PARTS LIST, COUNTER CONVECTION STEAMERS, MODELS SX-3, SX-5

<u>ITEM</u>	<u>PART NUMBER</u>	<u>DESCRIPTION</u>	<u>QUANTITY</u>	
			<u>SX-3</u>	<u>SX-5</u>
**	31.	2349-1277	Element Assembly, 12 kW, 480 (277)V	1
		2349-1247	Element Assembly, 12 kW, 600 (347)V	1
		8-5053	Element Assembly, 15 kW, 208V	1
		8-5054	Element Assembly, 15 kW, 220/380V	1
		8-5055	Element Assembly, 15 kW, 240/415V	1
		8-5057	Element Assembly, 15 kW, 480/277V	1
		8-5347-2	Element Assembly, 15 kW, 600/347V	1
	32.	8-5092	Element Gasket	1 1
**	33.	6161-3	Modular Terminal Assembly, 3 Pole, (208-240, 380, 415, 480, 600V) Includes the following parts:	1 1
		9374-1	Modular Terminal, Grey	3 3
		9375-1	End Plate	1 1
		9369-1	End Clamp	2 2
		9368-079	Mounting Rail, 79 mm	1 1
		6161-4N	Modular Terminal Assy, 3 Pole w/Neutral 380/220V, 415/240V Includes following parts:	1 1
		9374-1	Modular Terminal, Grey	3 3
		9374-2	Modular Terminal, Blue	1 1
		9375-1	End Plate	1 1
		9369-1	End Clamp	2 2
		9368-098	Mounting Rail	1 1
	34.	3-708B	Elbow 90°, Brass 1/2 C x 1/4 FPT	1 1
	35.	4-70EU	Ground Lug	1 1
*		4188-1	Earth I.D. Tag	1 1

PARTS LIST, COUNTER CONVECTION STEAMERS, MODELS SX-3, SX-5

<u>ITEM</u>	<u>PART NUMBER</u>	<u>DESCRIPTION</u>	<u>QUANTITY</u>		
			<u>SX-3</u>	<u>SX-5</u>	
36.	6947-1	Steam Generator Tank	1	1	
*	2906-1	Tank Cover	1	1	
*	9-3214	Tank Cover Gasket	1	1	
37.	3738-3	Probe - 5" Low Level Cut Off	1	1	
38.	3738-2	Probe - 4.25" Low Level	1	1	
39.	4-LLP2	Probe - 3.688" High Level	1	1	
40.	8-5023	Perforated Trough	1	1	
41.	3-694A	Elbow, 1/4 C x 1/8 MPT	1	1	
42.	3-696A	Elbow, 3/8 C x 1/8 MPT	2	2	
43.	3-684A	Connector, 1/4 C x 1/8 MPT	2	2	
44.	3-688E	Connector, 1/2 C x 3/4 MPT	1	1	
45.	3-698E	Elbow, 1/2 C x 3/4 MPT	1	1	
46.	5224-2	Compartment Strainer	1	1	
47.	9017-2	Gear Clamp	4	4	
48.	9268-100	Steam Hose, 1/2 x 10"	2	2	
49.	3-1398B	Hose Barb Elbow, 1/2 - 1/4 MPT	2	2	
50.	3-1258B	Hose Barb, Brass, 1/2 x 1/4 MPT	1	1	
51.	3-776	Water Connection, 3/8 C	2	2	
52.	M33S-1032-12	Screw, 10-32 x 1/2 SS	10	10	
53.	9-1011-1	Screw, (Special), 10-32 x 1/2	6	8	
*	54.	9096-1	Continuous Steam Switch (Optional)	1	1
	55.	8154-1	Back Panel	1	
		8156-1	Back Panel		1
*	55.	9084-1	Nut Cage, 1/4 - 20	2	2
	56.	2279-1	Top Panel	1	1

PARTS LIST, COUNTER CONVECTION STEAMERS, MODELS SX-3, SX-5

<u>ITEM</u>	<u>PART NUMBER</u>	<u>DESCRIPTION</u>	<u>QUANTITY</u>	
			<u>SX-3</u>	<u>SX-5</u>
**	57A. 9-3372	Removable Panel, Right Hand	1	
	9-3372-2	Removable Panel, Right Hand		1
**	57B. 2280-2	Removable Panel, Left Hand	1	
	2280-4	Removable Panel, Left Hand		1
	58. 2681-1	Rack Slides	2	
	2681-3	Rack Slides		2
	59. 4721-1	Rack Pin Assembly	6	6
*	60. 4204-3	Wire Harness, Load, 208-240V	1	1
	61. 3-116D	Forged Street Elbow, Brass, 1/2 NPT	1	1
	62. 3-121D	Hex HD Plug, Brass 1/2 NPT	1	1
	63. 5494-1	Pressure Switch Tube	1	1
	64. 3-666A	Connector, 3/8 C x 1/8 FPT	1	1
	65. 3-696C	Elbow 90°, 3/8 C x 3/8 MPT	1	1
	66. 5445-1	Pressure Switch	1	1
	67. 4148-1	Leveler	4	4
	68. 5-FS66	Adjustable Leg, Optional	4	4
* **	69. 9092-2	Fuse, 2 Amp., 250V (208, 220, 240V)	2	2
	9092-2	Fuse, 2 Amp., 250V (220/380, 240/415)	1	1
	9068-1	Fuse Holder (208, 220, 240V)	2	2
	9068-1	Fuse Holder (220/380, 240/415V)	1	1
	9001-2	Fuse, 600V, 1/2 A, (380 - 600V)	2	2
	9002-1	Fuse Holder (380, 415, 480, 600V)	2	2
* **	70. 4-T251	Transformer, 380/220V, 50/60 Hz, 100VA	1	1
	4-T251	Transformer, 415/240V, 50/60 Hz, 100VA	1	1
	4-T255	Transformer, 480/240V, 60 Hz, 100VA	1	1



PARTS LIST, COUNTER CONVECTION STEAMERS, MODELS SX-3, SX-5

<u>ITEM</u>	<u>PART NUMBER</u>	<u>DESCRIPTION</u>	<u>QUANTITY</u>	
			<u>SX-3</u>	<u>SX-5</u>
	4-T260	Transformer, 600/240V, 60 Hz, 100VA	1	1
71.	M50S-51618-1	Hex Bolt, 5/16-18 x 1 SS	2	2
72.	1-59S0	Hex Nut, 1/4 - 20 SS	4	4
* 73.	8-6009	"Y" Strainer, Optional	1	1

\* NOT SHOWN.

\*\* SELECT AS REQUIRED.