

Model P-3A12-PS

Pump Data

31A HP 6-1/8 Imp, 1 Stage Centrifugal Pump

316L SS Corrosion Resistance Construction

Built-In Overload / Auto-Reset Provided

15.5 amp 230V Single Phase UL Motor

1-1/2 F NPT Suction

Pump Flow

(not for certification use)

GPM	0	30	40	45	50	55
PSI	59	55	53	51	50	49

Components

A - 1-1/2 F NPT Galvanized Riser

B - Supervised Control Valve

C - Water Pressure Gauge

D - 40 60 Pressure Switch

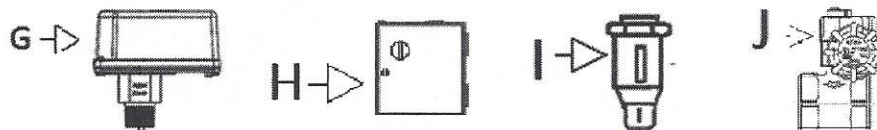
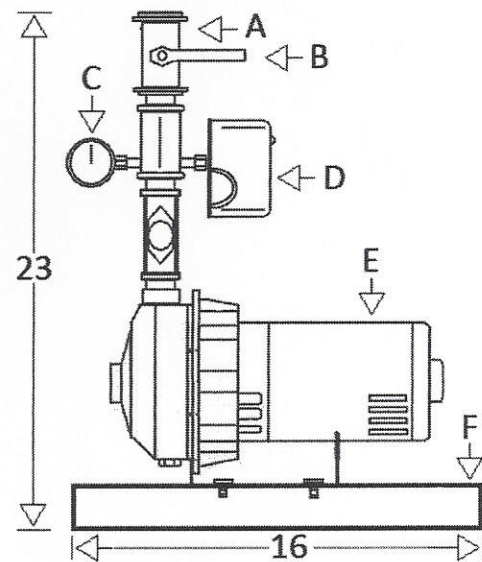
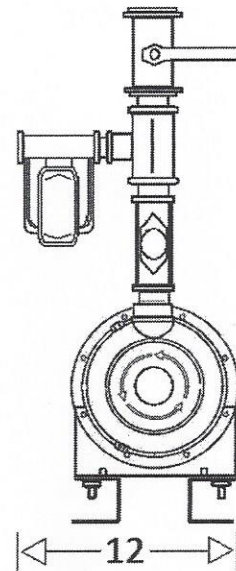
E - 3A1 HP UL Motor with Pump

F - Elevated on Steel Frame

*Wiring in Liquid Tight Conduit (not shown)

Check Box for Optional Equipment

- G -Flow Switch (+7 H)
- H-D Panel Pump Controller
- I-Bypass Line with Backflow Preventer (+4W)
- J- Butterball Valve



*Note: all measurement in inches